

US00D460417S

(12) **United States Design Patent**
Wood

(10) **Patent No.:** **US D460,417 S**

(45) **Date of Patent:** **** Jul. 16, 2002**

(54) **SOCKET CONNECTOR WITH PIN AND SOCKET TYPE ALIGNERS**

(75) Inventor: **Donald E. Wood**, Fremont, CA (US)

(73) Assignee: **TVM Group, Inc.**, Fremont, CA (US)

(**) Term: **14 Years**

(21) Appl. No.: **29/131,420**

(22) Filed: **Oct. 19, 2000**

(51) **LOC (7) Cl.** **13-03**

(52) **U.S. Cl.** **D13/147**

(58) **Field of Search** D13/147; 439/378,
439/677-680, 752

(56) **References Cited**

U.S. PATENT DOCUMENTS

4,664,456	A	*	5/1987	Blair et al.	439/378	X
4,761,144	A	*	8/1988	Hunt, III et al.	439/545	
5,362,261	A	*	11/1994	Puerner	439/752	
D366,241	S		1/1996	Eaton	D13/147	
D366,454	S		1/1996	Eaton	D13/147	
5,575,690	A		11/1996	Eaton	439/717	
5,588,852	A	*	12/1996	Puerner	439/752	X
5,674,094	A	*	10/1997	Hutchinson, Jr. et al.	...	439/680	
D412,489	S		8/1999	Middlehurst et al.	D13/147	
D434,726	S		12/2000	Middlehurst	D13/147	

* cited by examiner

Primary Examiner—Joel Sincavage

(74) *Attorney, Agent, or Firm*—Flehr Hohbach Test Albritton & Herbert LLP

(57) **CLAIM**

The ornamental design for a socket connector with pin and socket type aligners, as shown and described.

DESCRIPTION

FIG. 1 is a perspective view of the socket connector with pin and socket type aligners of my new design.

FIG. 2 is a top plan view of the socket connector with pin and socket type aligners shown in FIG. 1.

FIG. 3 is a bottom plan view of socket connector with pin and socket type aligners shown in FIG. 1.

FIG. 4 is a front elevational view of the socket connector with pin and socket type aligners shown in FIG. 1.

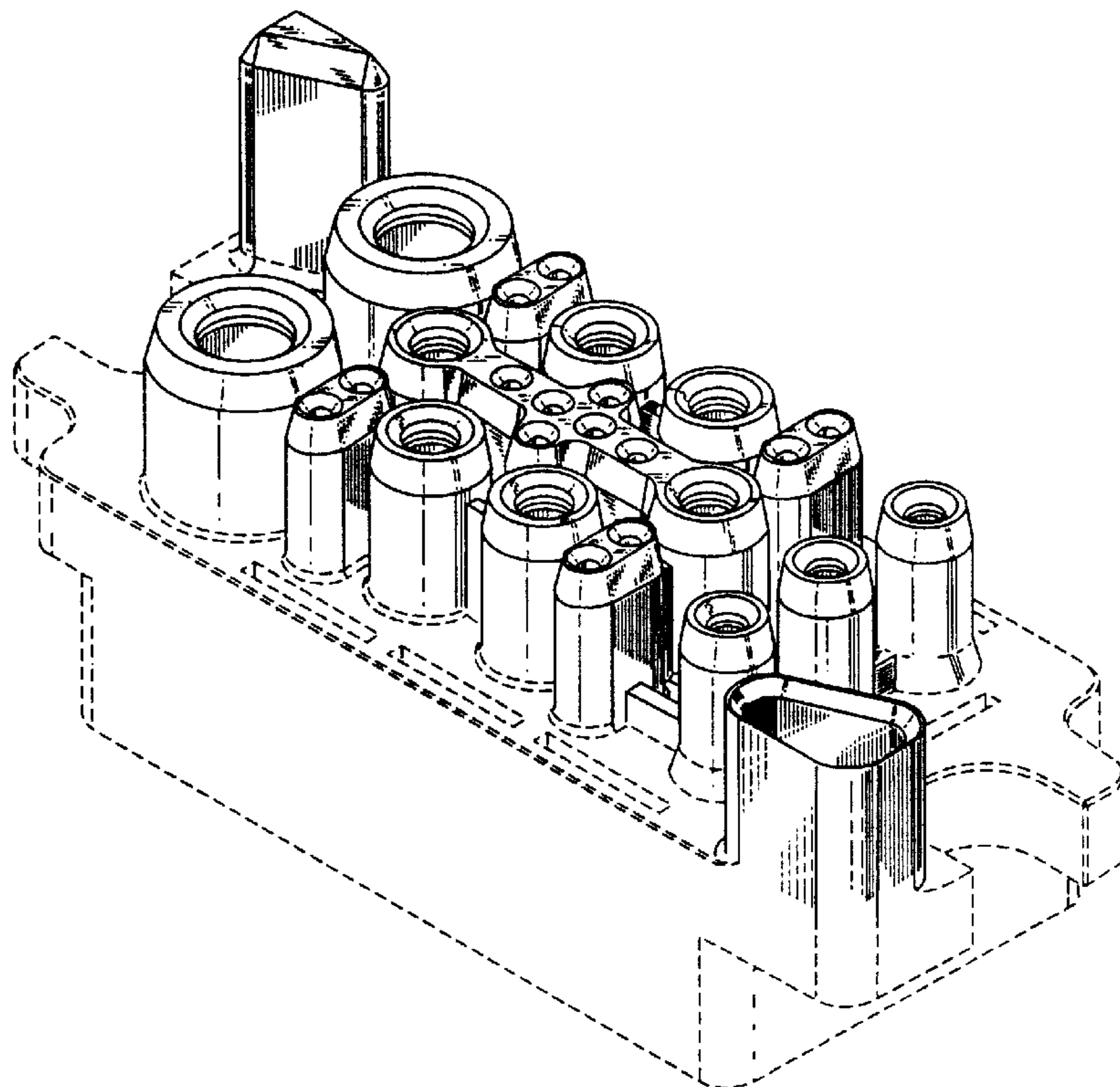
FIG. 5 is a rear elevational view of the socket connector with pin and socket type aligners shown in FIG. 1.

FIG. 6 is a right side elevational view of the socket connector with pin and socket type aligners shown in FIG. 1; and,

FIG. 7 is a left side elevational view of the socket connector with pin and socket type aligners shown in FIG. 1.

The broken lines showing throughout the drawing figures are included for the purpose of illustrating environmental structure only and form no part of the claimed design.

1 Claim, 3 Drawing Sheets



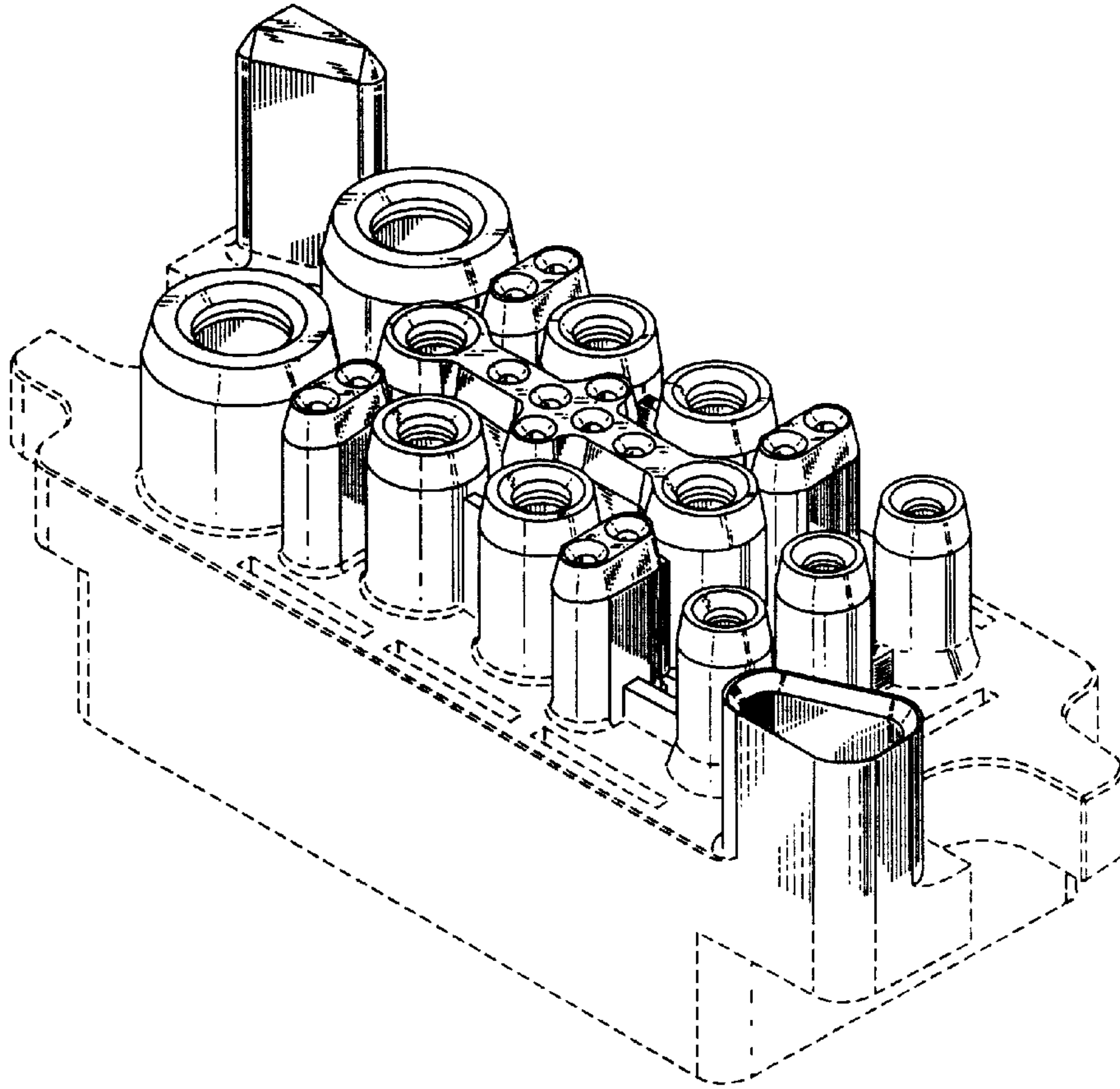


Fig. 1

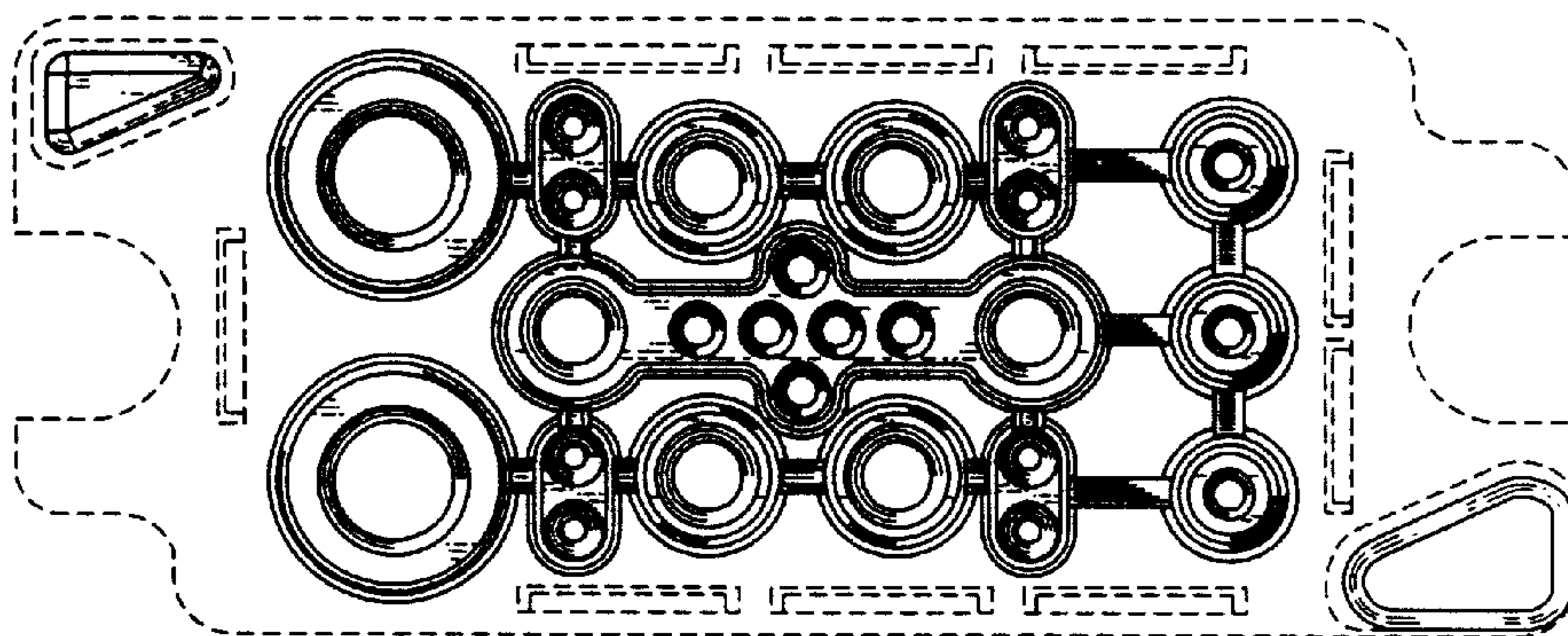


Fig. 2

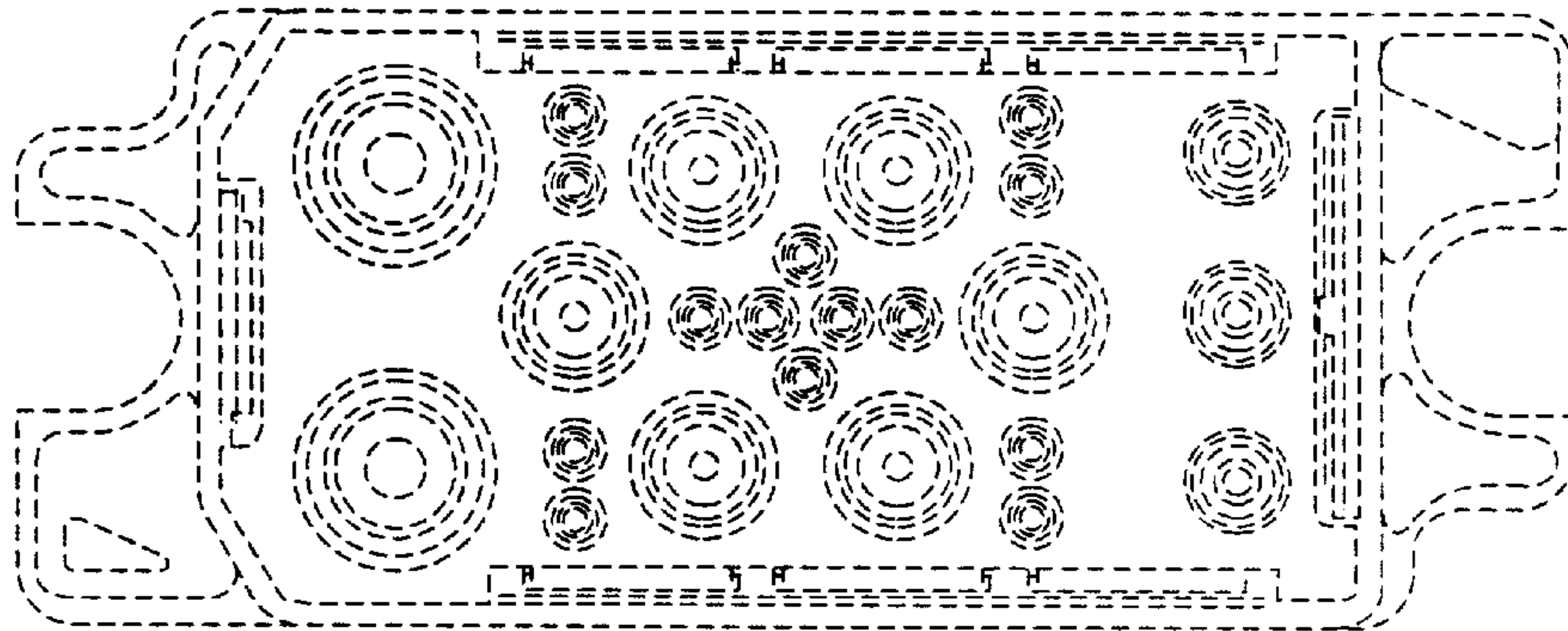


Fig. 3

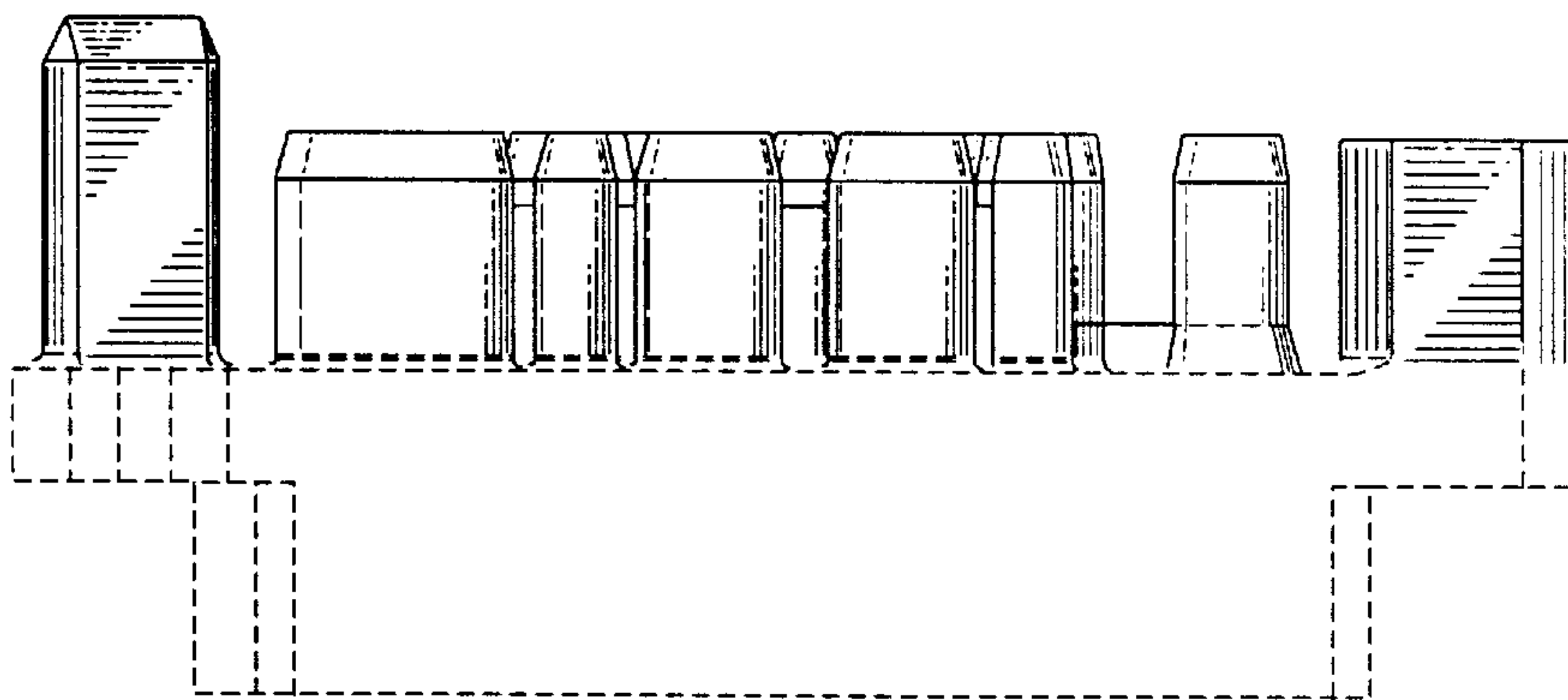


Fig. 4

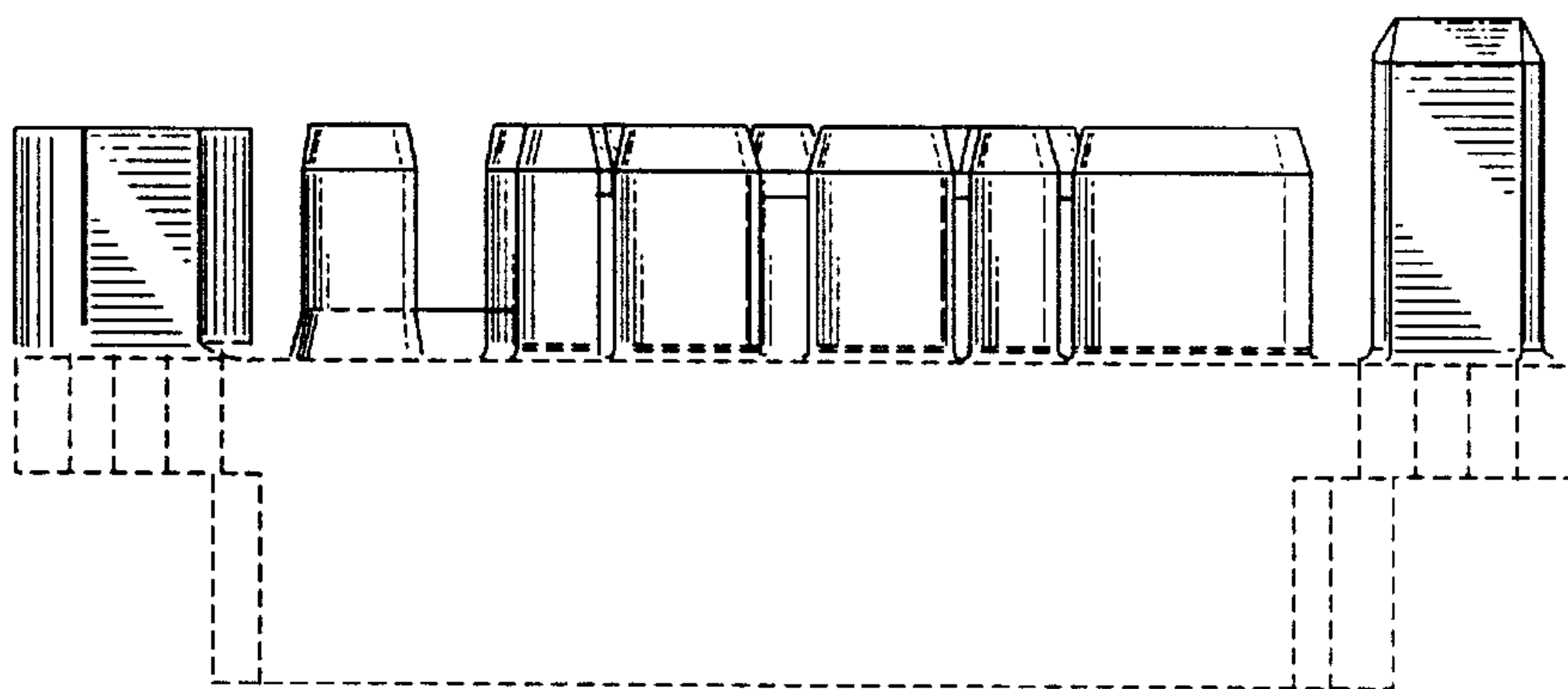


Fig. 5

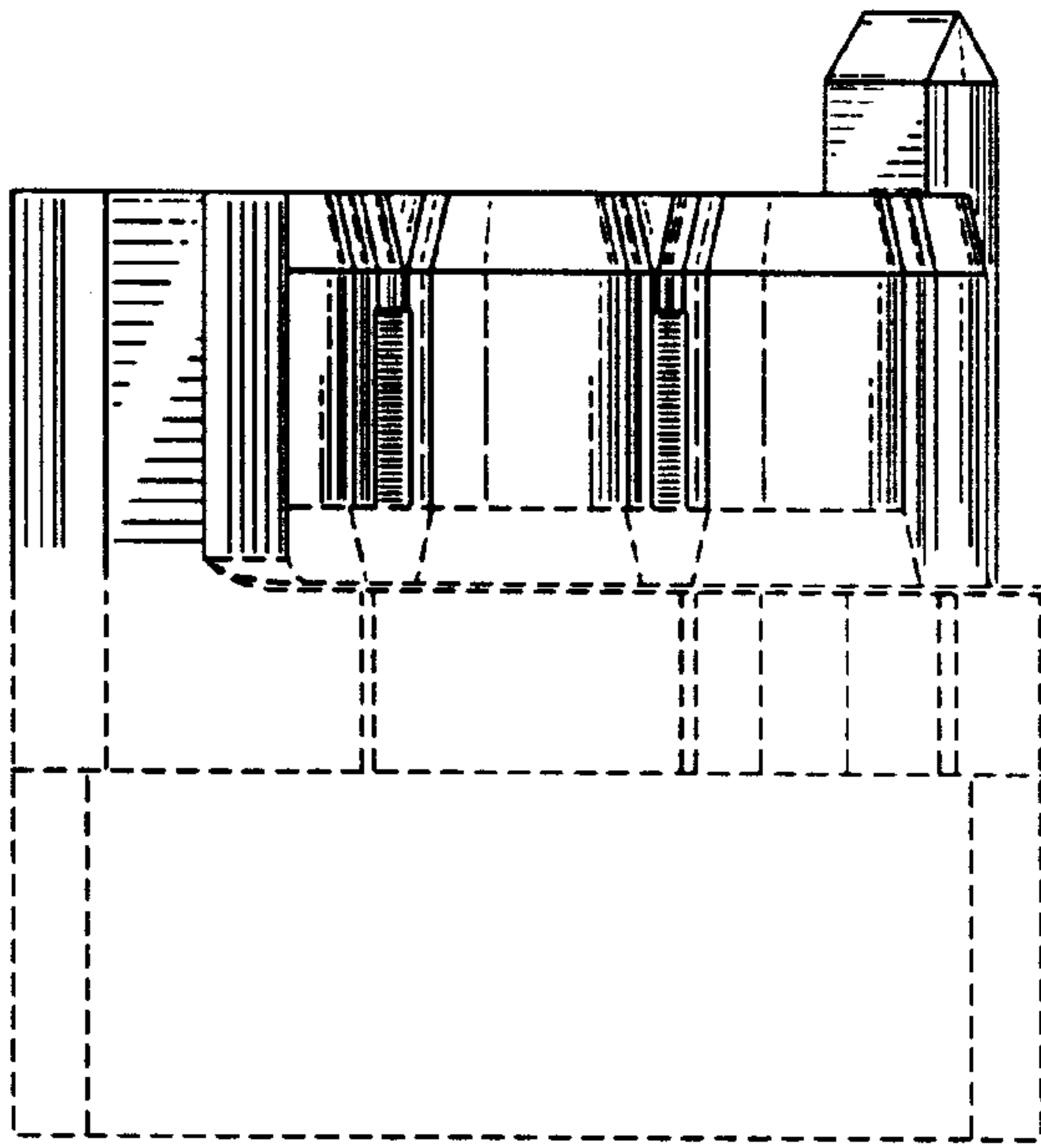


Fig. 6

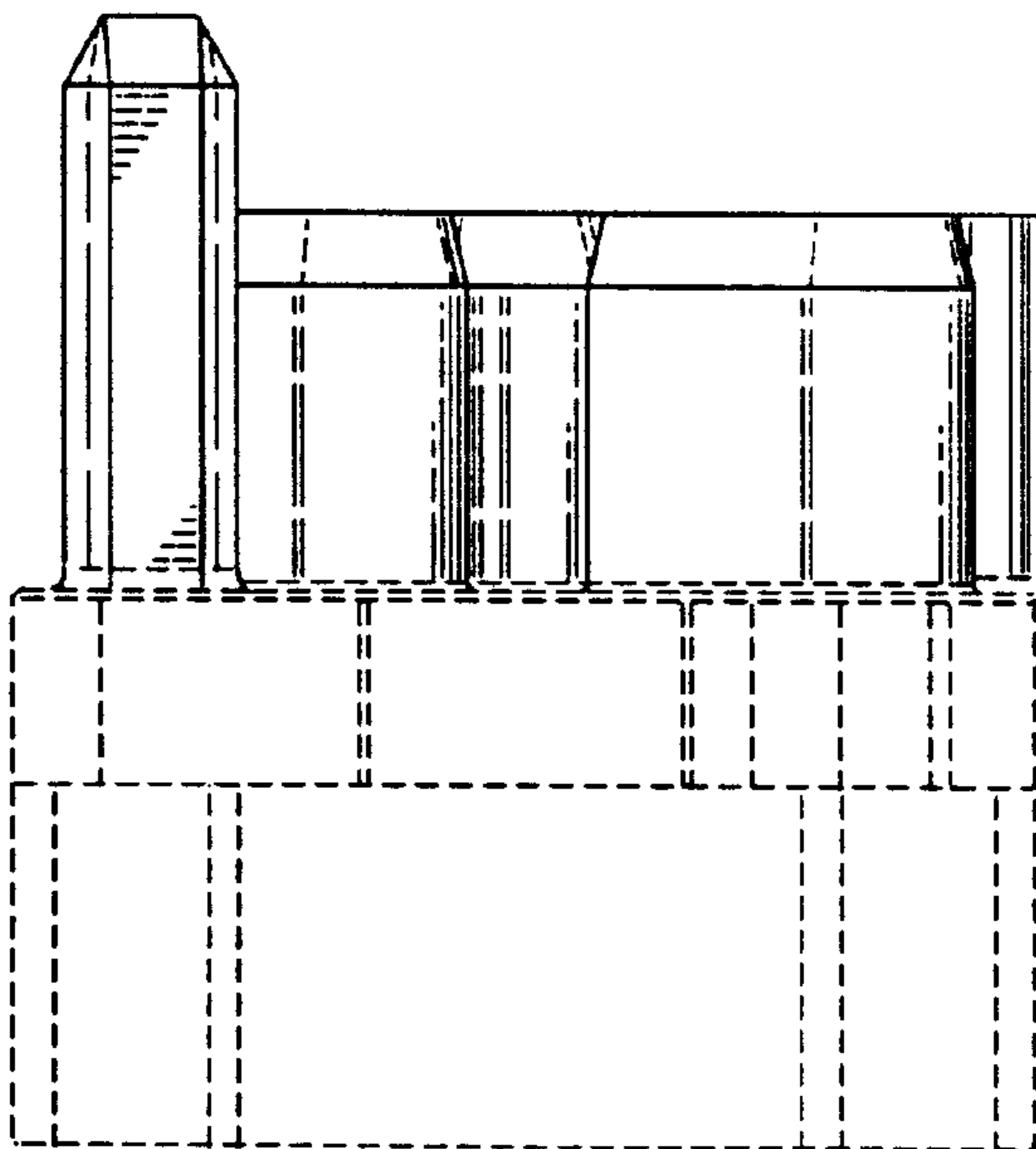


Fig. 7