



US00D460414S

(12) **United States Design Patent**  
**Suzuki**

(10) **Patent No.:** **US D460,414 S**

(45) **Date of Patent:** **\*\* Jul. 16, 2002**

(54) **PLUG**  
(75) Inventor: **Katsumi Suzuki**, Ibaraki (JP)  
(73) Assignee: **SMK Corporation**, Tokyo (JP)  
(\*\*) Term: **14 Years**

5,474,476 A \* 12/1995 Cheng ..... 439/675  
5,482,468 A \* 1/1996 Bolin ..... 439/668 X  
5,484,296 A \* 1/1996 Taylor ..... 439/669 X  
6,126,465 A \* 10/2000 Franks, Jr. .... 439/669 X  
D450,298 S \* 11/2001 Suzuki ..... D13/133  
D451,073 S \* 11/2001 Yasuda et al. .... D13/133

\* cited by examiner

(21) Appl. No.: **29/150,171**  
(22) Filed: **Nov. 9, 2001**  
(30) **Foreign Application Priority Data**  
May 17, 2001 (JP) ..... 2001-014086

*Primary Examiner*—Joel Sincavage  
(74) *Attorney, Agent, or Firm*—Sughrue Mion, PLLC

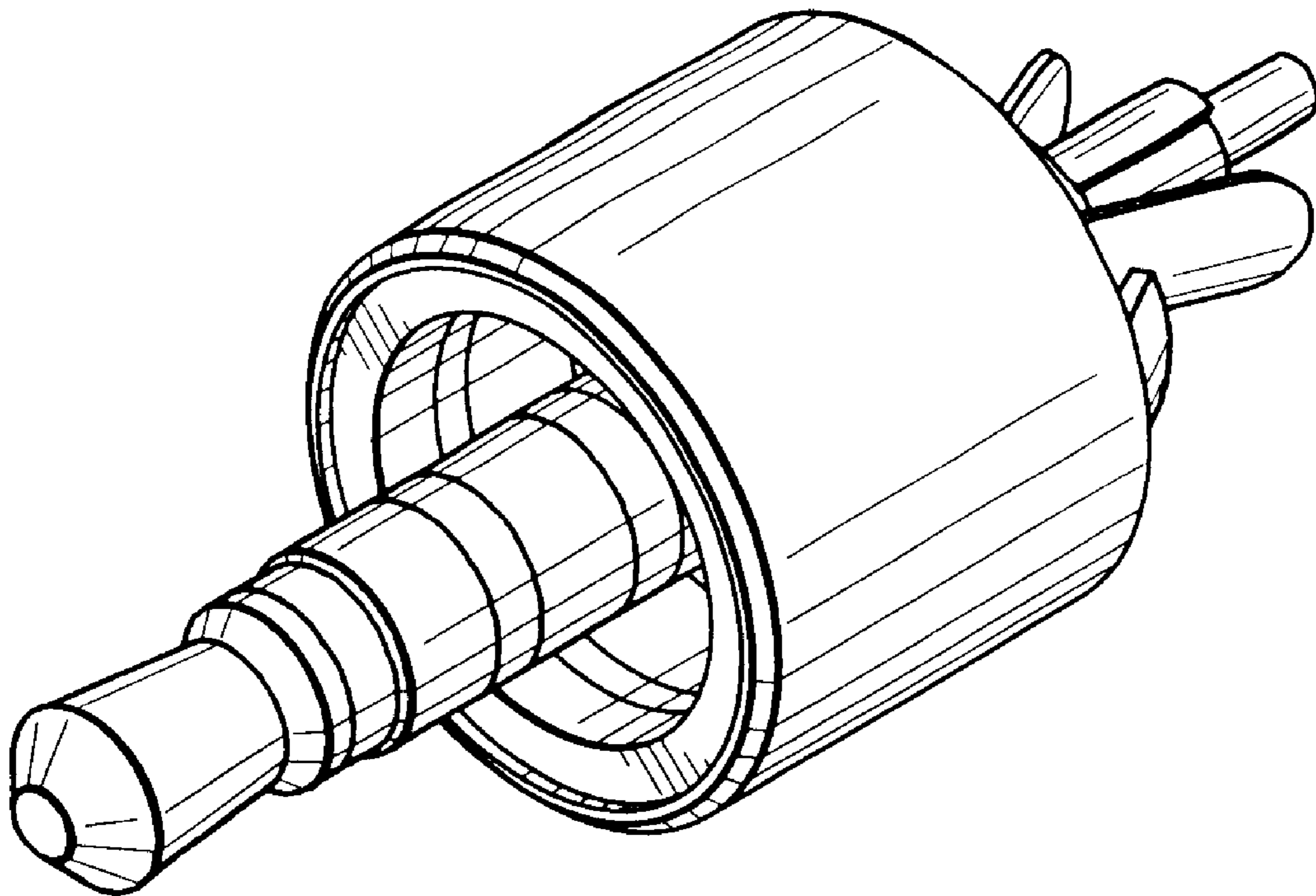
(51) **LOC (7) Cl.** ..... **13-03**  
(52) **U.S. Cl.** ..... **D13/133**  
(58) **Field of Search** ..... D13/133; 439/668,  
439/669, 675

(57) **CLAIM**  
The ornamental design for a plug, as shown and described.

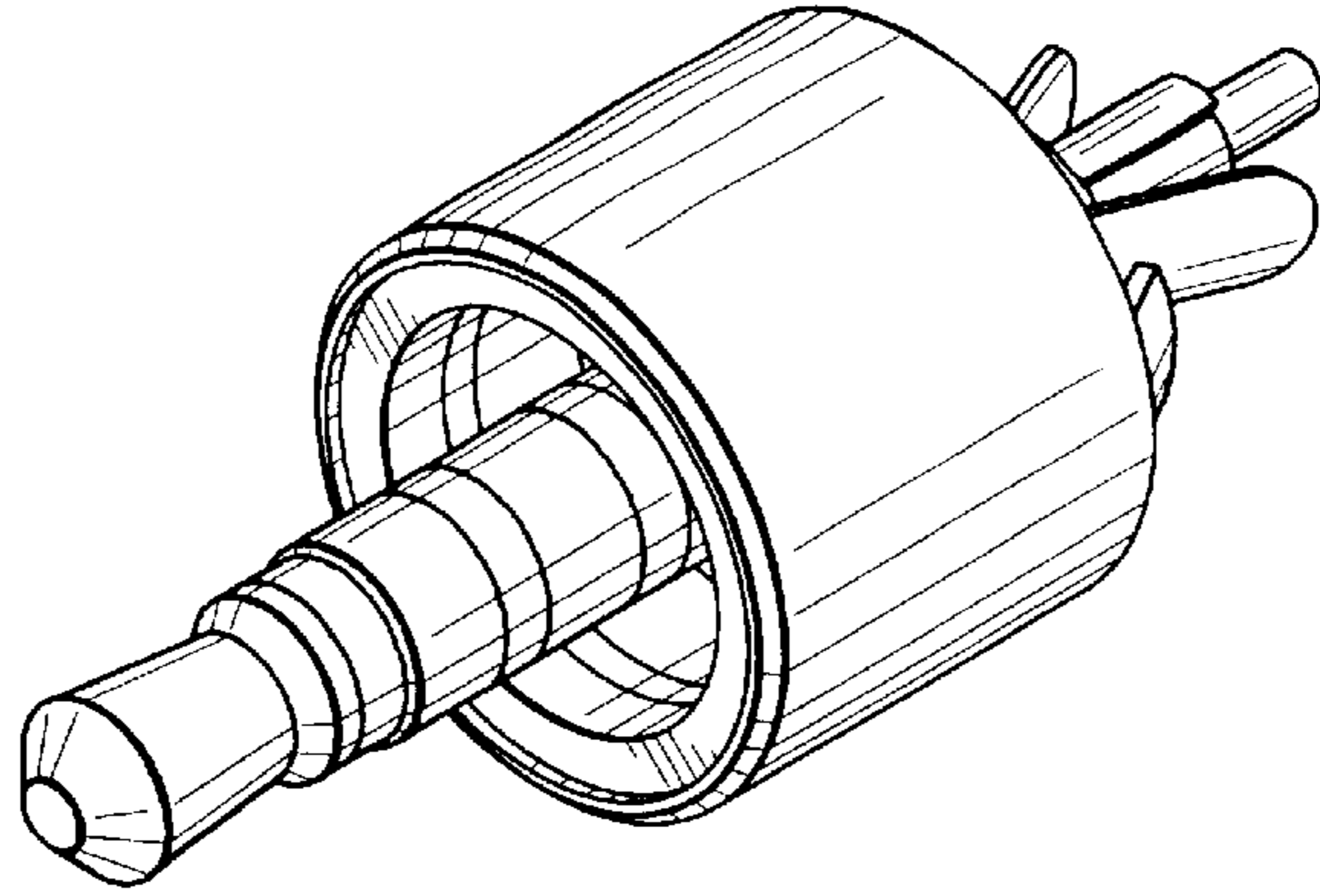
(56) **References Cited**  
**U.S. PATENT DOCUMENTS**  
3,626,360 A \* 12/1971 Cole ..... 439/669  
4,018,501 A \* 4/1977 Maloof ..... 439/669  
4,619,496 A \* 10/1986 Forney, Jr. et al. .... 439/675 X  
4,955,828 A \* 9/1990 Gruenberg ..... 439/668  
5,277,628 A \* 1/1994 Lin et al. .... 439/668

**DESCRIPTION**  
FIG. 1 is a perspective view of the front, top and left side of a plug showing my new design;  
FIG. 2 is a perspective view of the rear, bottom and right side thereof;  
FIG. 3 is a front elevational view thereof;  
FIG. 4 is a top plan view of thereof;  
FIG. 5 is a left side elevational view thereof;  
FIG. 6 is a right side elevational view thereof; and,  
FIG. 7 is a rear elevational view thereof.

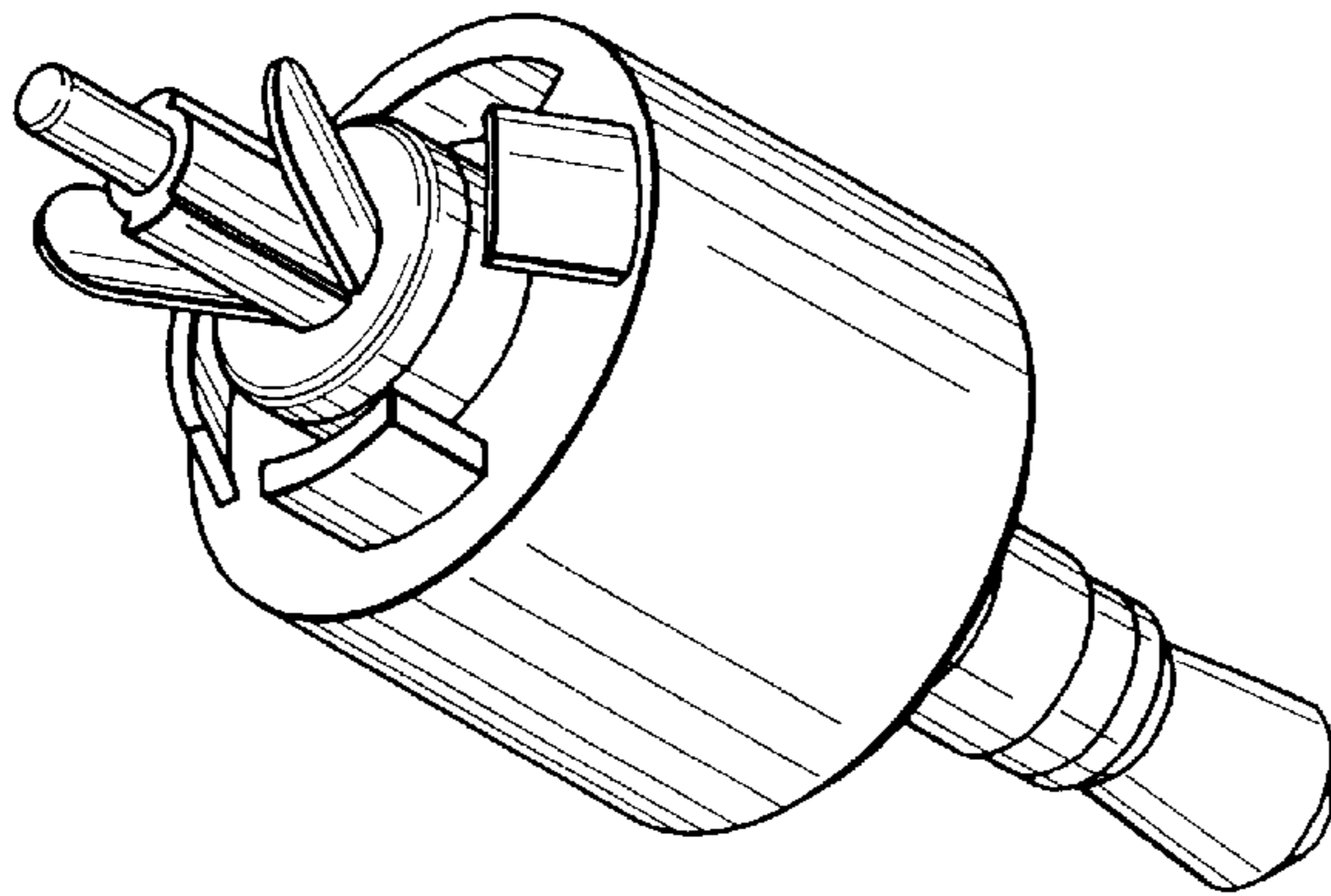
**1 Claim, 2 Drawing Sheets**



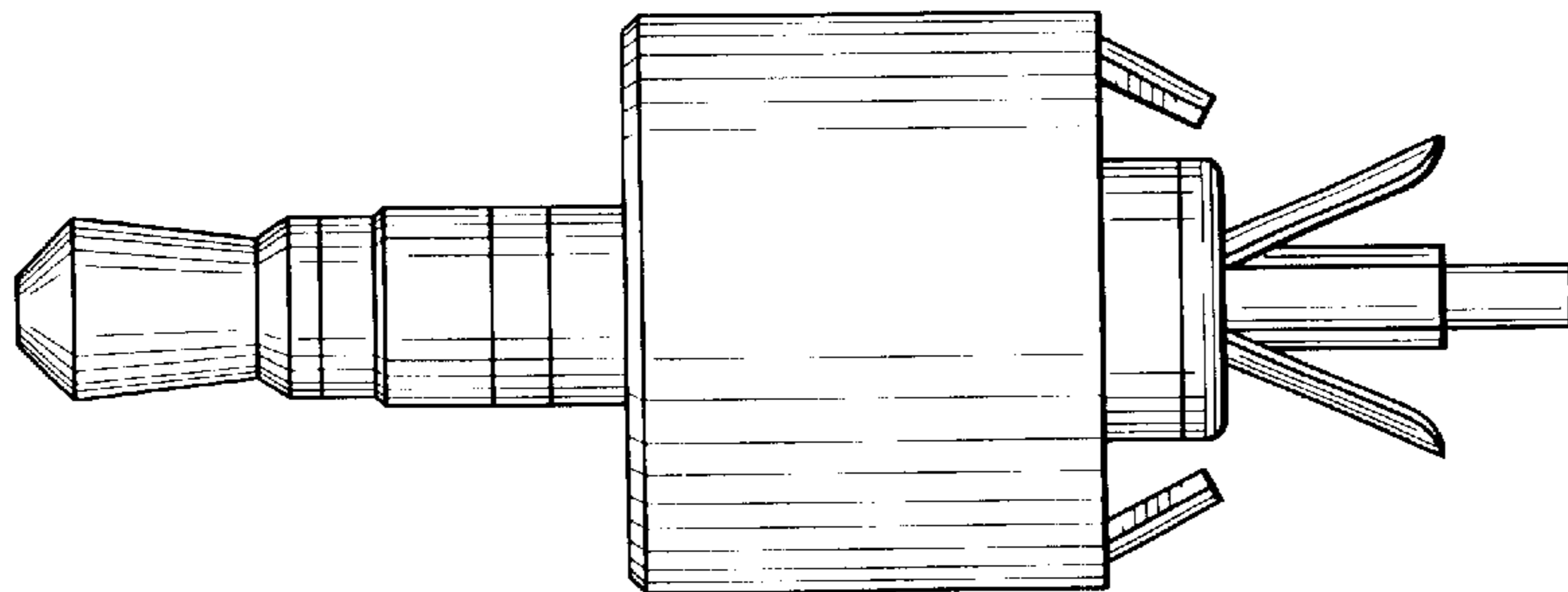
*FIG. 1*



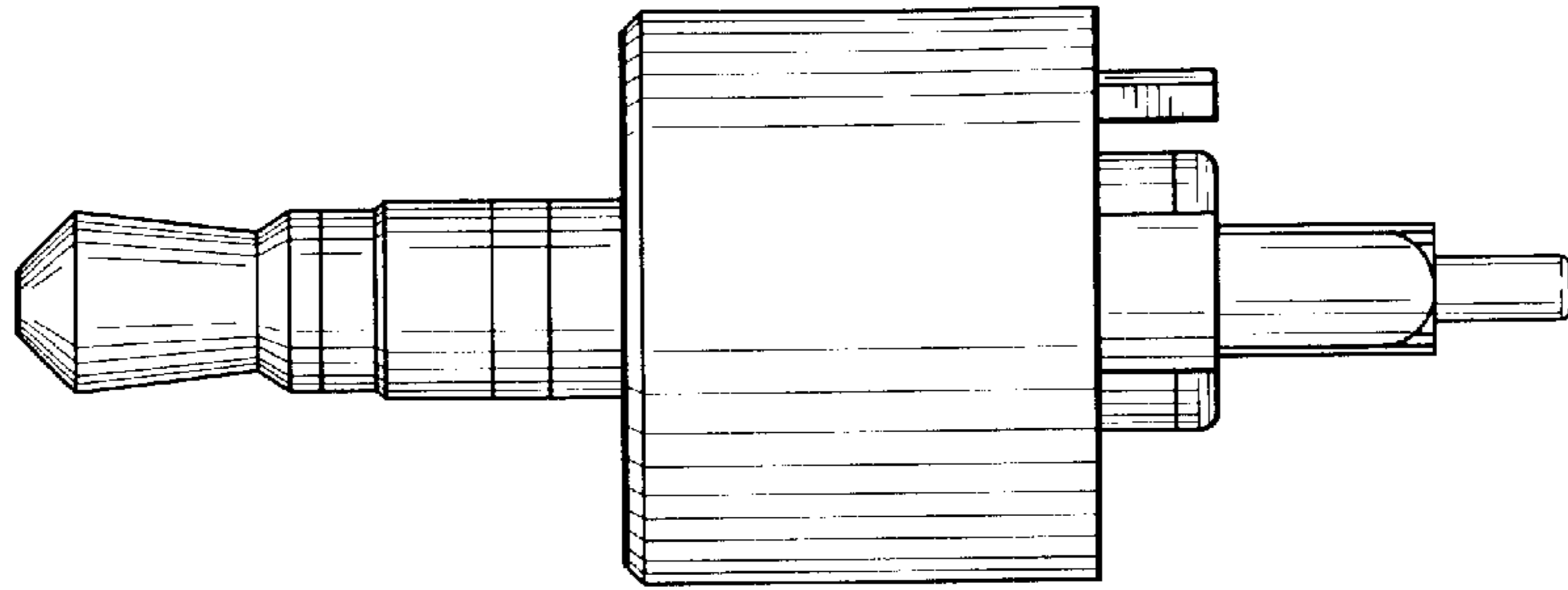
*FIG. 2*



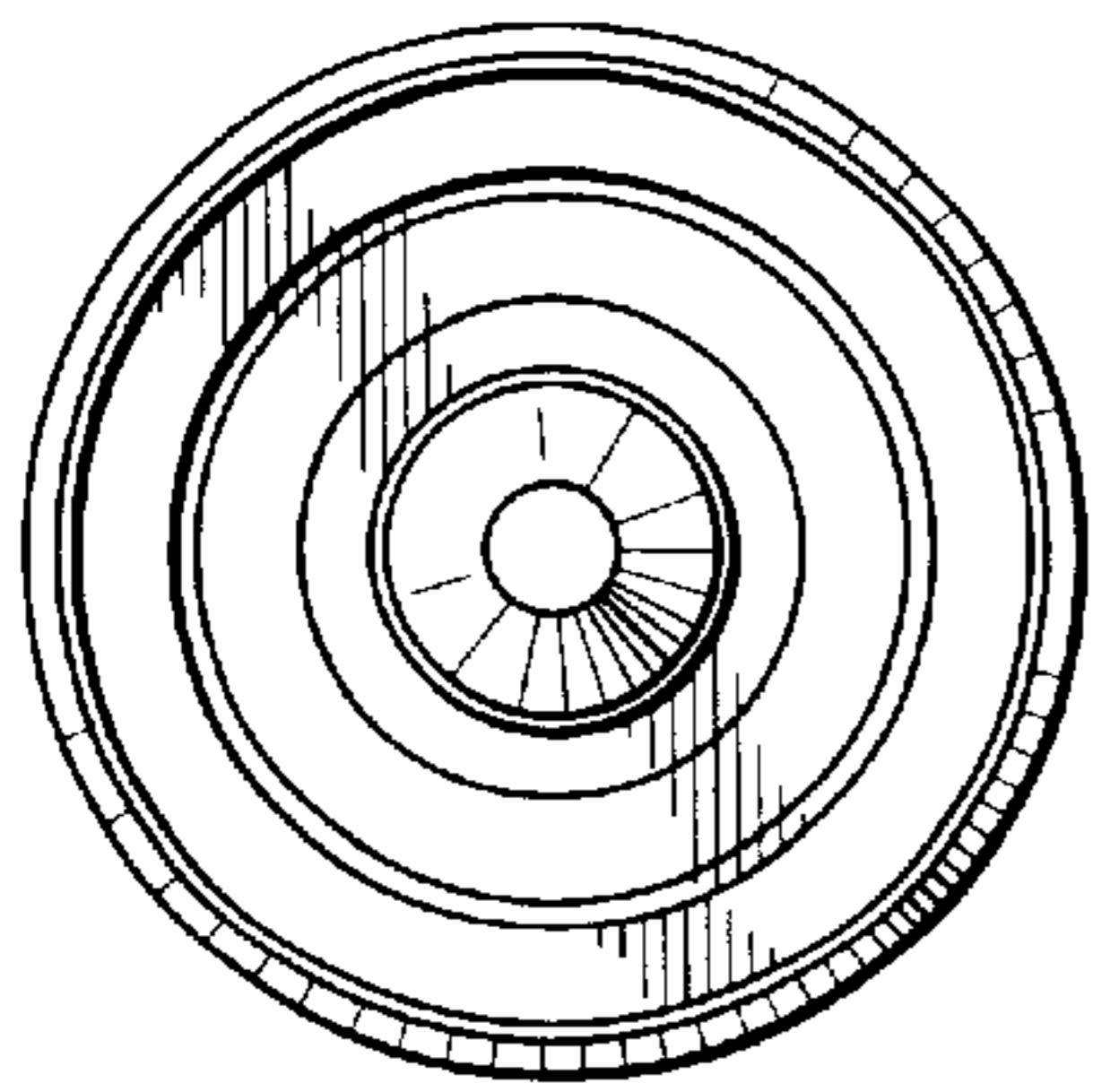
*FIG. 3*



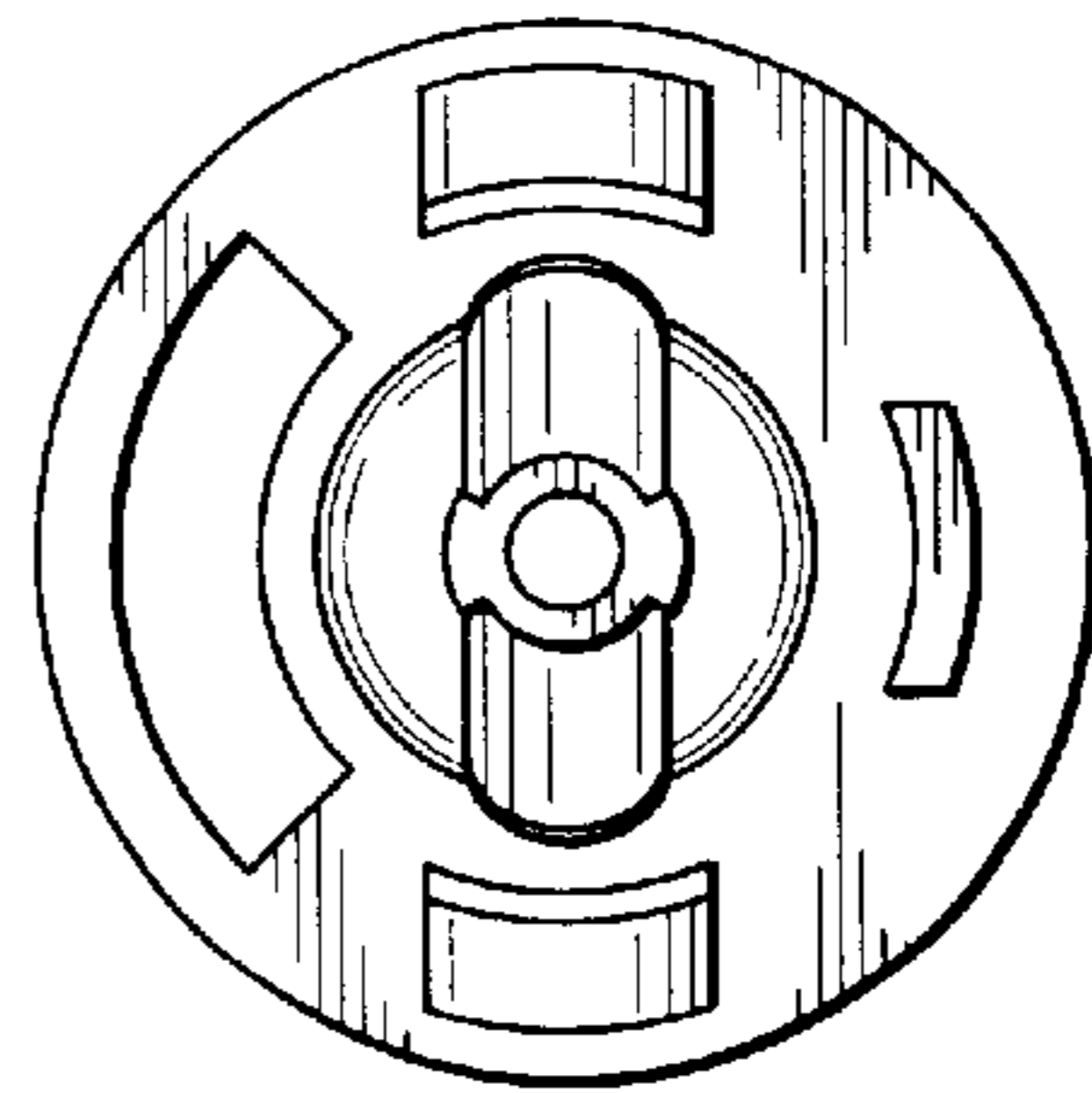
*FIG. 4*



*FIG. 5*



*FIG. 6*



*FIG. 7*

