



US00D460413S

(12) **United States Design Patent**
Zurwelle et al.

(10) **Patent No.:** **US D460,413 S**

(45) **Date of Patent:** **** Jul. 16, 2002**

(54) **PORTION OF A BATTERY PACK**

D322,547 S * 12/1991 Kmetz D8/68

D323,606 S * 2/1992 Chang D8/68

D417,648 S * 12/1999 Clowers et al. D13/103

(75) Inventors: **Donald W. Zurwelle**, Lutherville; **Paul S. White**, Ellicott City; **Michael J. Agnes**, Bel Air, all of MD (US)

* cited by examiner

(73) Assignee: **Black & Decker Inc.**, Newark, DE (US)

Primary Examiner—Joel Sincavage

(74) *Attorney, Agent, or Firm*—Adan Ayala

(**) Term: **14 Years**

(57) **CLAIM**

(21) Appl. No.: **29/152,435**

The ornamental design for a portion of a battery pack, as shown and described.

(22) Filed: **Dec. 18, 2001**

Related U.S. Application Data

DESCRIPTION

(63) Continuation of application No. 29/140,319, filed on Apr. 16, 2001, which is a continuation of application No. 29/126,996, filed on Jul. 28, 2000, now abandoned, which is a continuation of application No. 29/108,496, filed on Jul. 28, 1999, now Pat. No. Des. 432,077.

FIG. 1 is a front perspective view of a portion of a battery pack showing our new design;

FIG. 2 is a bottom plan view of the portion;

FIG. 3 is a left side elevational view of the portion; and,

FIG. 4 is a right side elevational view of the portion.

(51) **LOC (7) Cl.** **13-02**

(52) **U.S. Cl.** **D13/119**

(58) **Field of Search** D13/103, 119; D8/68; 429/96-100, 159, 163, 174

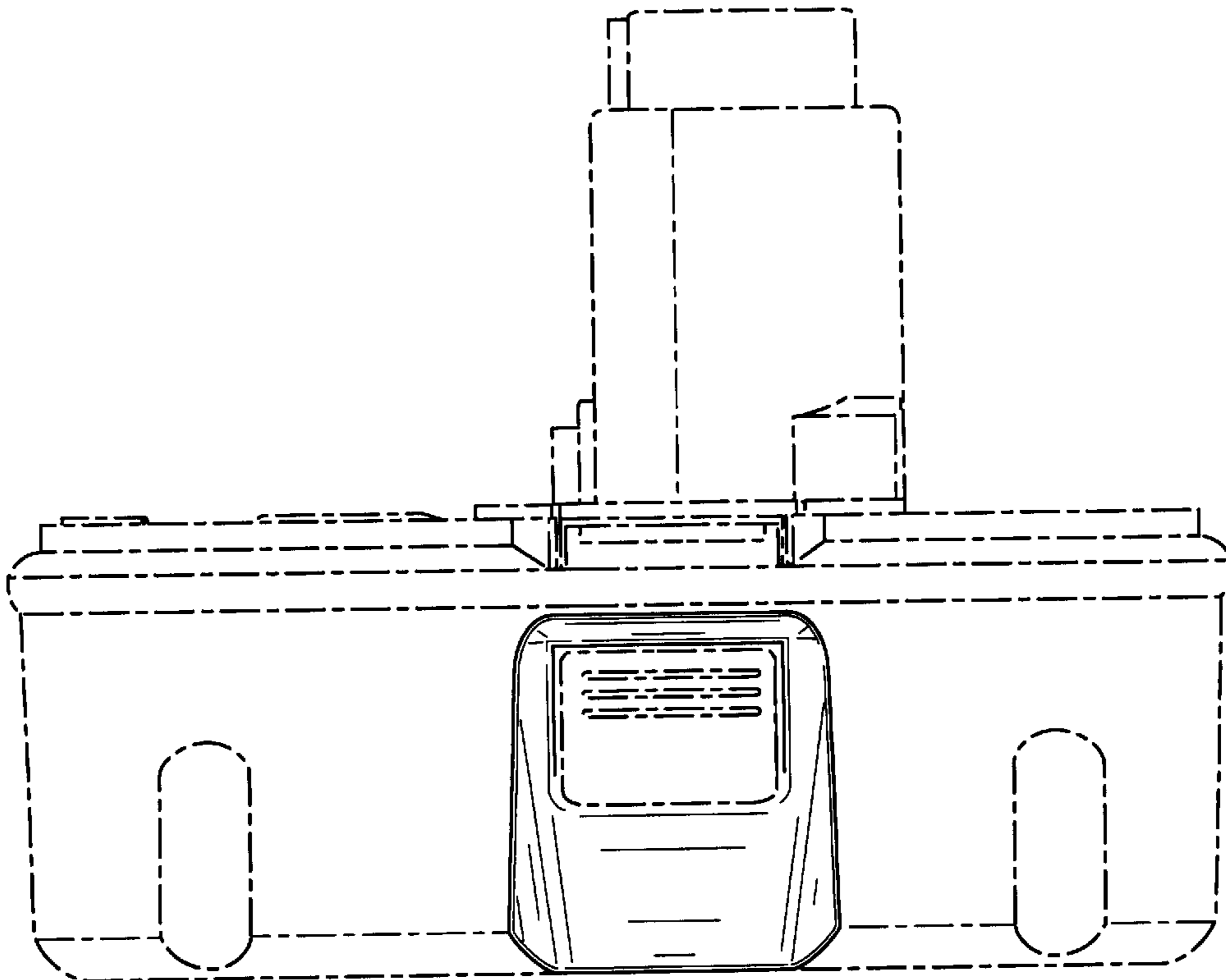
In the above drawings, any broken line illustration is not part of the design sought to be patented. In addition, any views not shown thereof do not form a part of the invention.

(56) **References Cited**

U.S. PATENT DOCUMENTS

D304,152 S * 10/1989 Kmetz D8/68

1 Claim, 4 Drawing Sheets



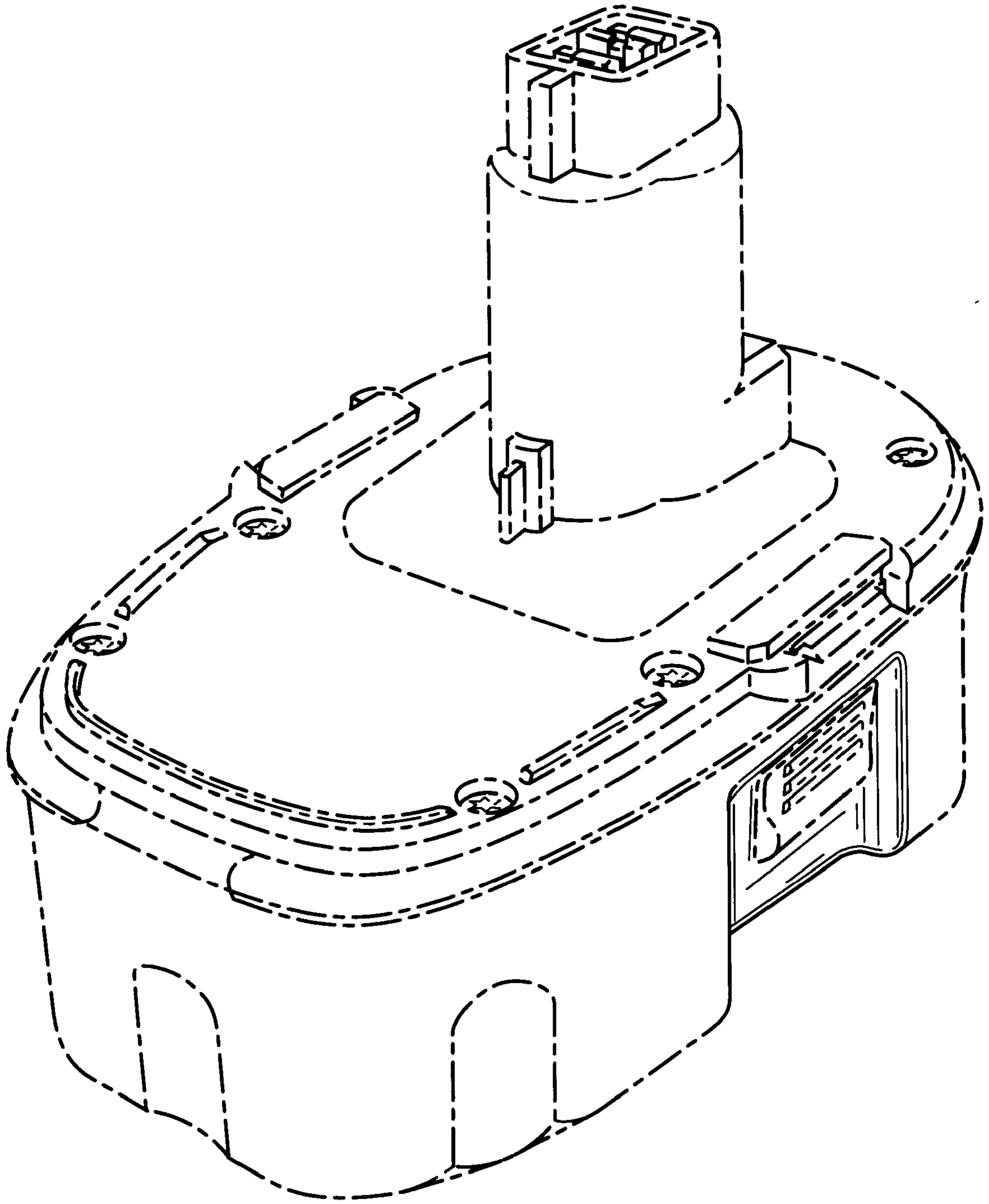


FIG. 1

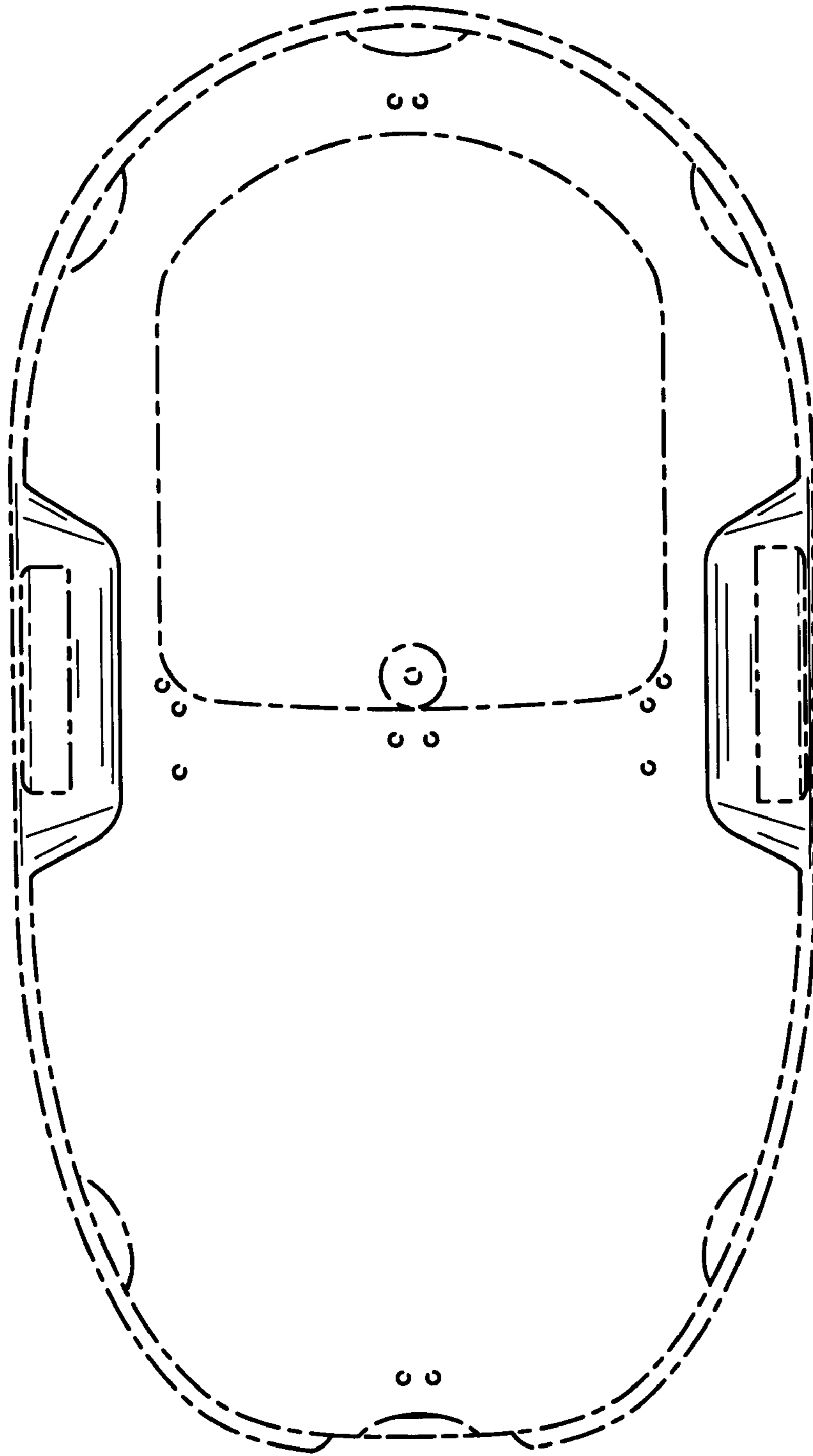


FIG. 2

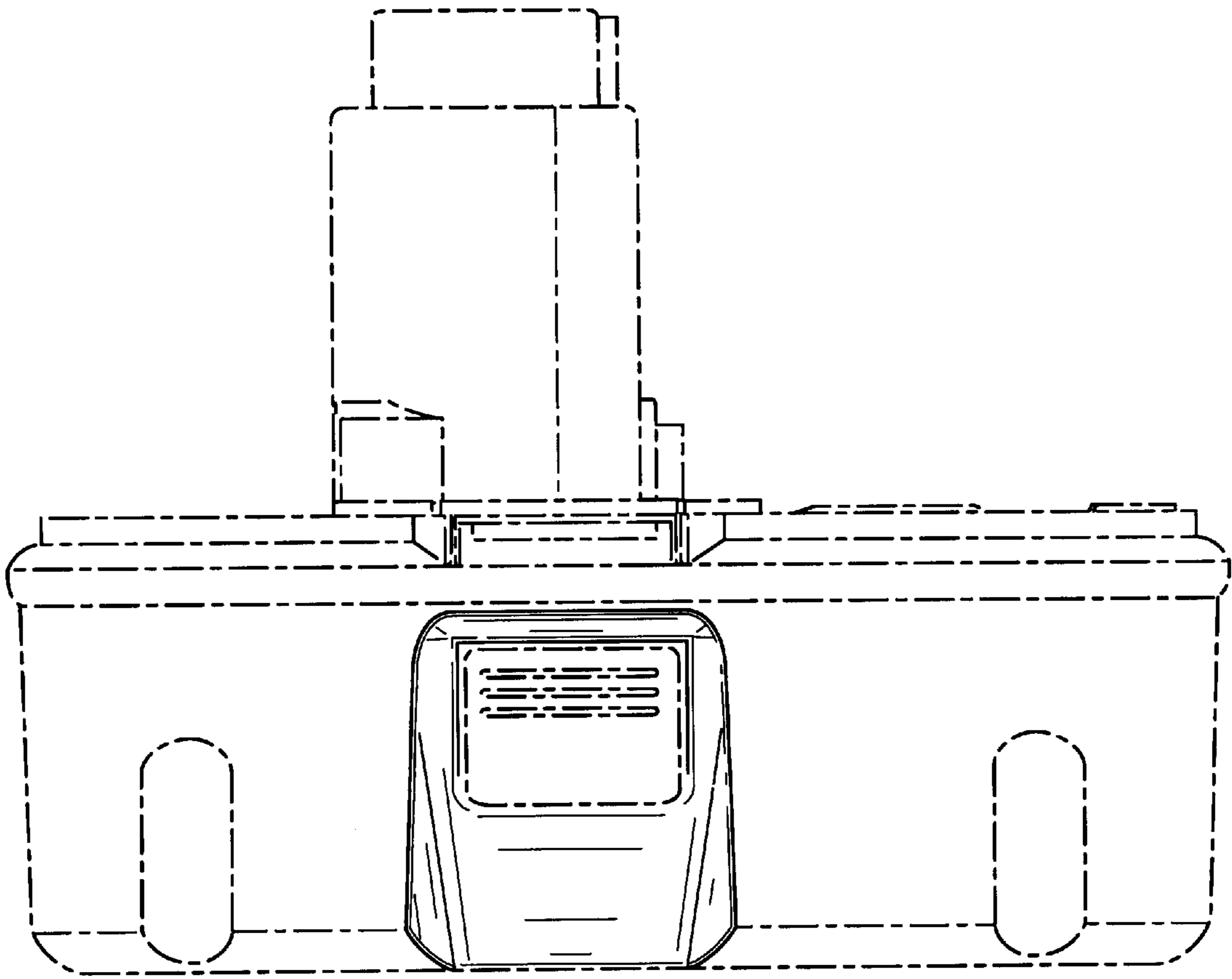


FIG. 3

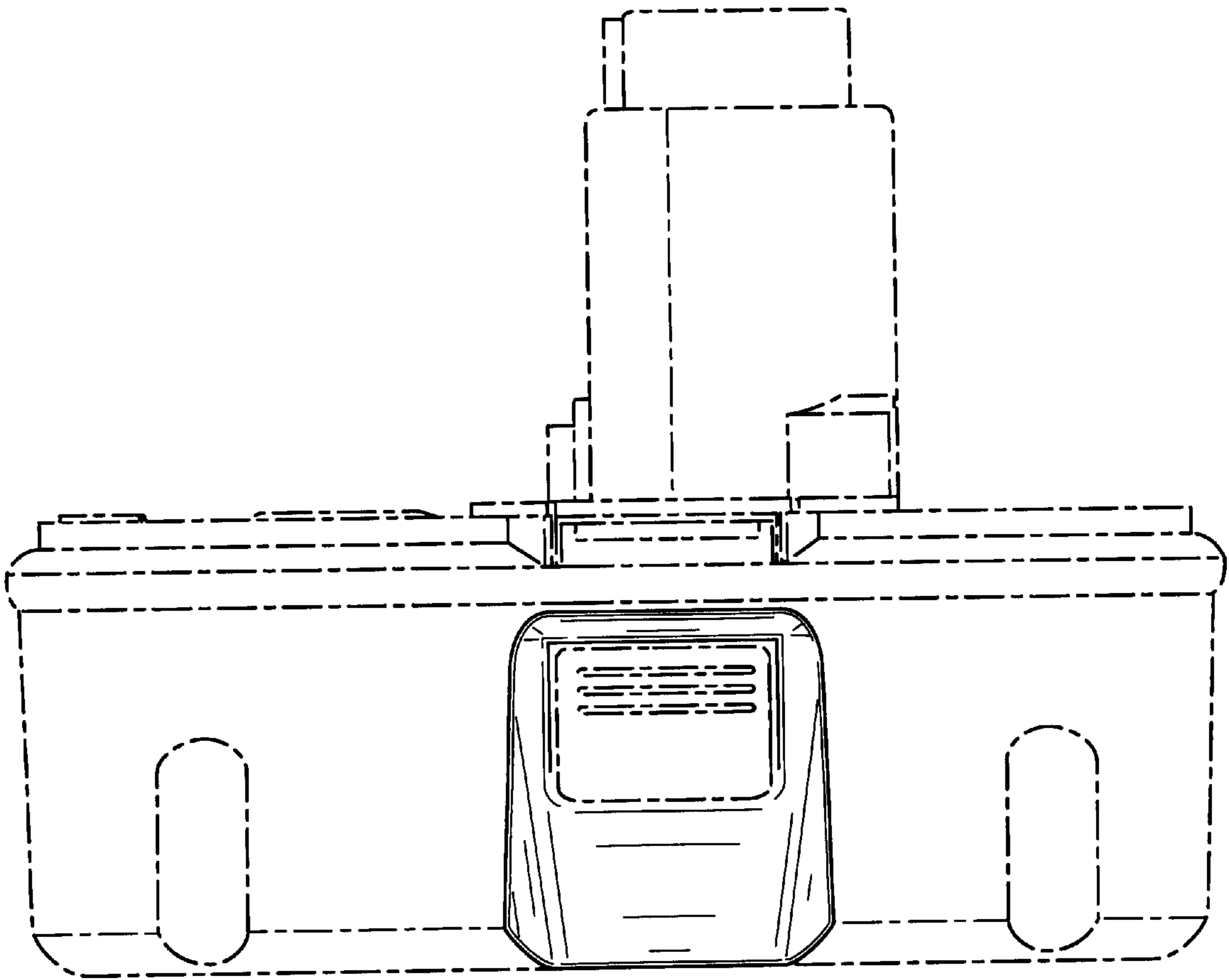


FIG. 4