



US00D460412S

(12) **United States Design Patent**
Nawrozki

(10) **Patent No.:** **US D460,412 S**

(45) **Date of Patent:** **** Jul. 16, 2002**

(54) **BATTERY CHARGER**

(75) **Inventor:** **Damon J. Nawrozki**, Parkville, MD
(US)

(73) **Assignee:** **Black & Decker Inc.**, Newark, DE
(US)

(**) **Term:** **14 Years**

(21) **Appl. No.:** **29/149,109**

(22) **Filed:** **Oct. 3, 2001**

(51) **LOC (7) Cl.** **13-02**

(52) **U.S. Cl.** **D13/107**

(58) **Field of Search** D13/107, 108;
320/107-115

(56) **References Cited**

U.S. PATENT DOCUMENTS

D215,303 S	*	9/1969	Carpenter	D13/108
D307,016 S	*	4/1990	Watanabe	D13/108 X
D352,711 S	*	11/1994	Solomita et al.	D13/108 X
D408,352 S	*	4/1999	Tashiro	D13/107
D409,976 S	*	5/1999	Buck	D13/107
2001/0000945 A1	*	5/2001	Watson et al.	320/115

FOREIGN PATENT DOCUMENTS

DE	M8902990	10/1989
DE	M9208918	5/1993
DE	M9707060	11/1997

DE	M9802890	2/1999
DE	DM048719	6/1999
DE	MR49911376	12/2000
DE	DM055660	2/2001
SE	96-1132	3/1997
SE	66695	3/2001
SE	00-0268	9/2001
SE	00-1288	9/2001
SE	00-1672	9/2001
XH	DM029376	4/1994
XH	DM037990	10/1996

* cited by examiner

Primary Examiner—Joel Sincavage

(74) *Attorney, Agent, or Firm*—Bruce S. Shapiro; Michael P. Leary

(57) **CLAIM**

The ornamental design for a battery charger, as shown and described.

DESCRIPTION

FIG. 1 is a front perspective view of a battery charger showing my design.

FIG. 2 is a top plan view thereof.

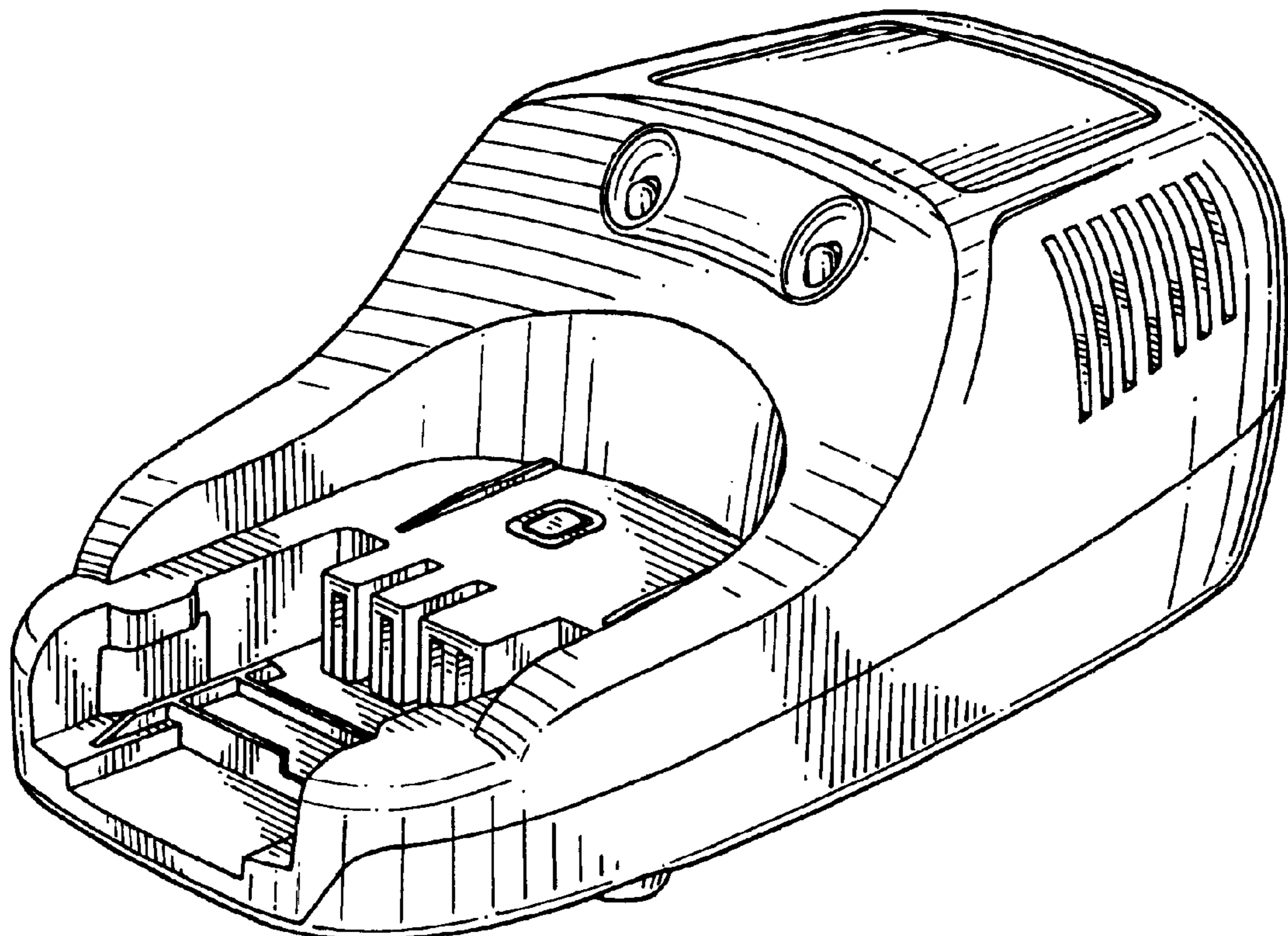
FIG. 3 is a bottom plan view thereof.

FIG. 4 is a left side elevational view thereof. The right side is a mirror image of the left side.

FIG. 5 is a front elevational view thereof; and,

FIG. 6 is a rear elevational view thereof.

1 Claim, 4 Drawing Sheets



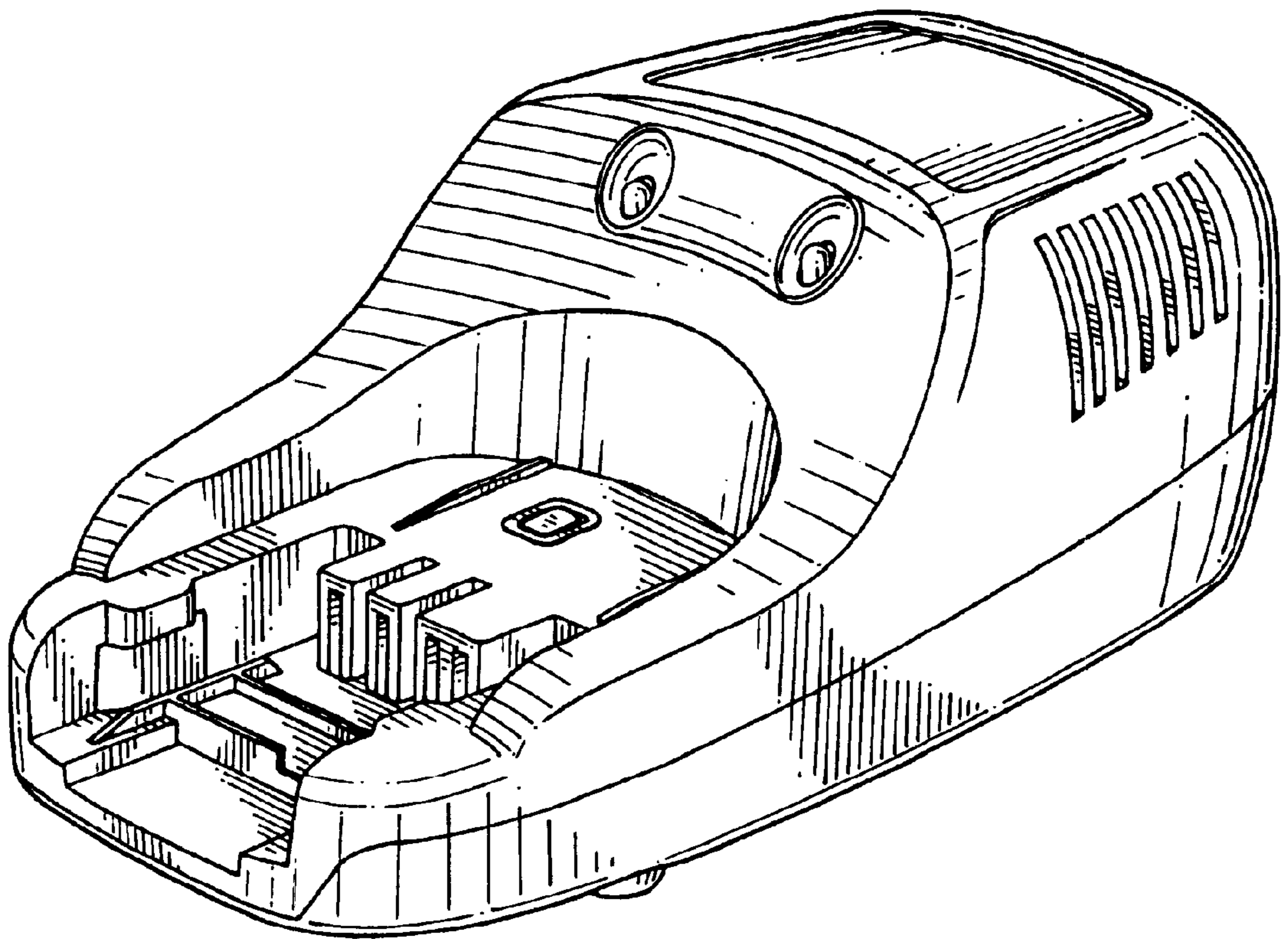


FIG. 1

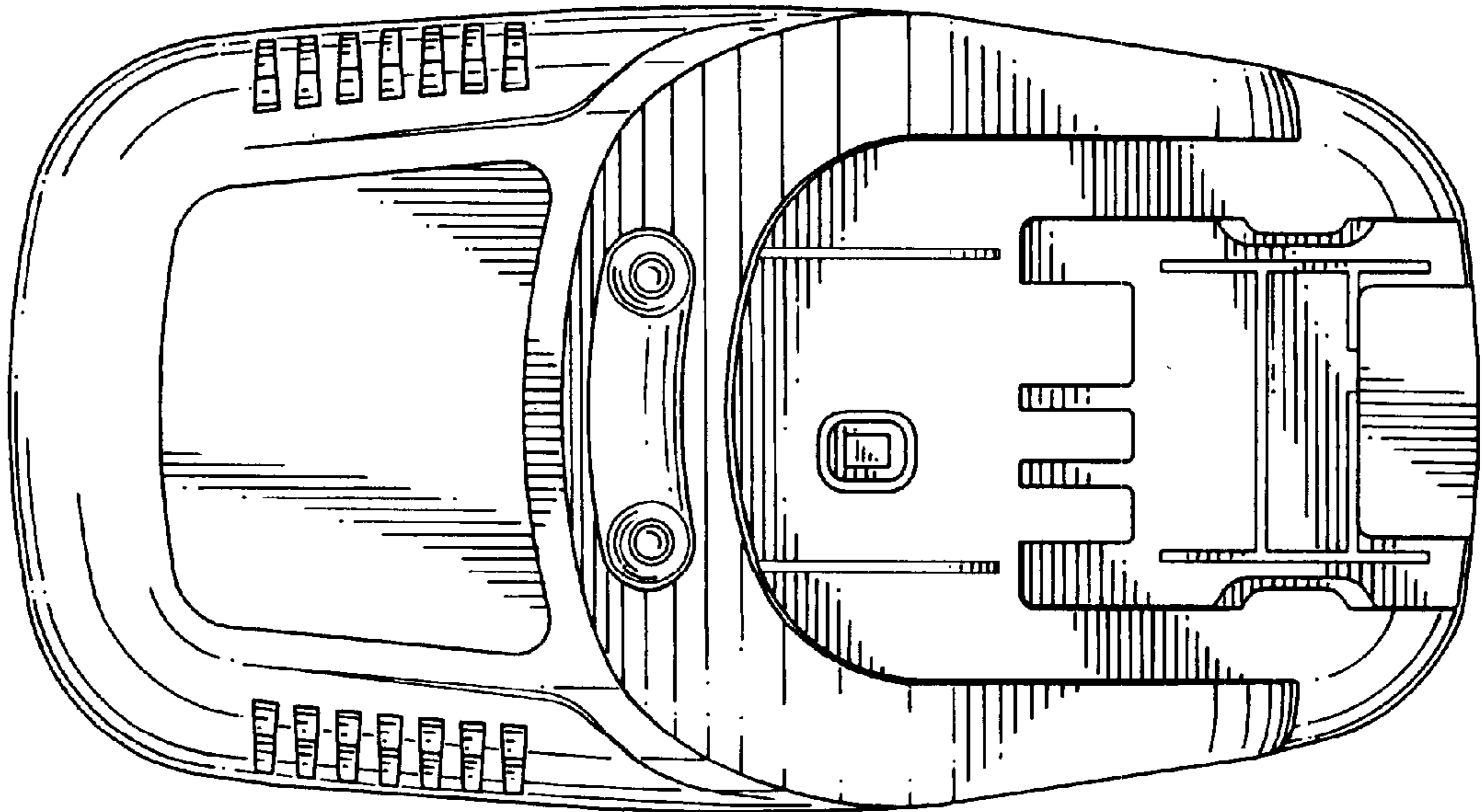


FIG. 2

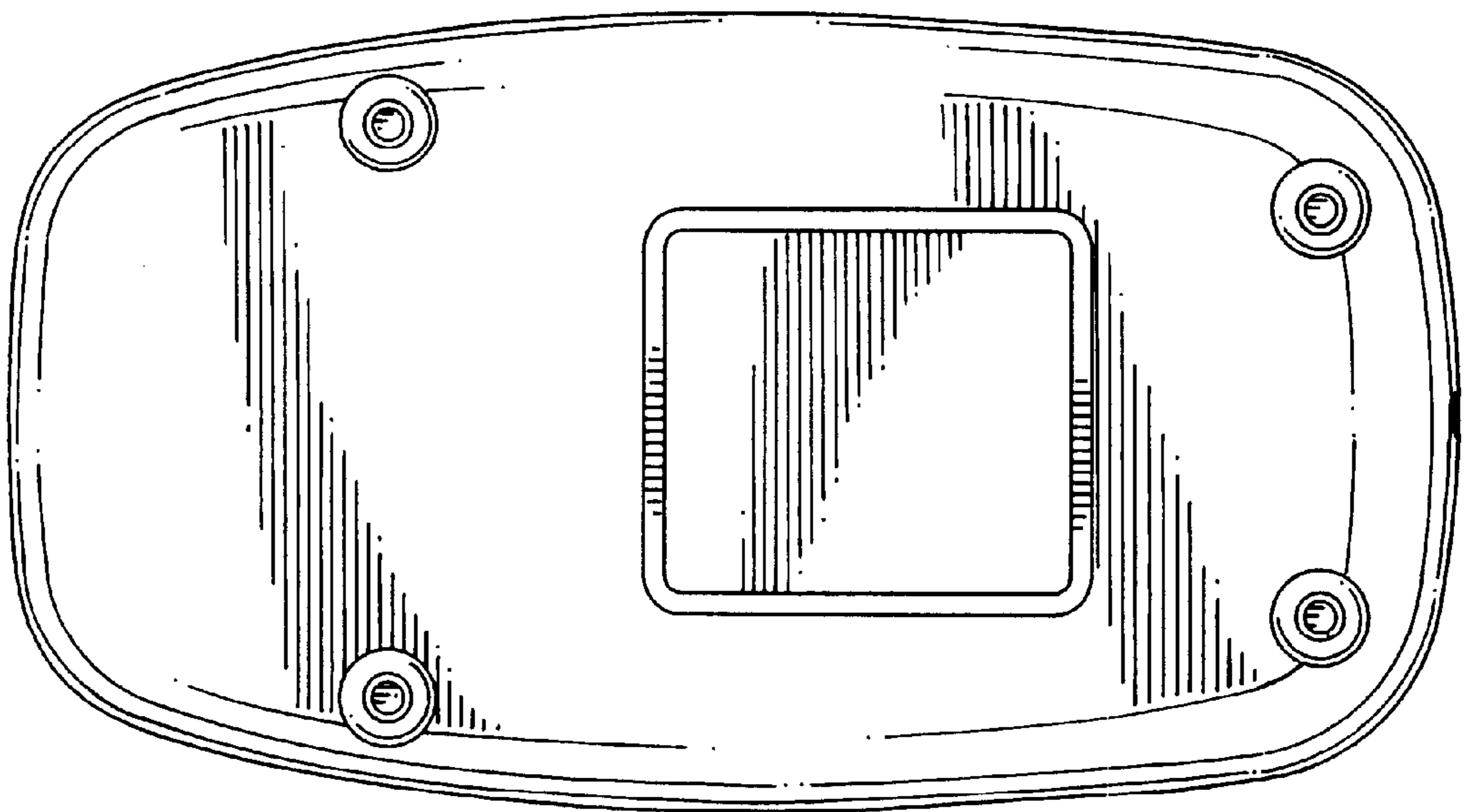


FIG. 3

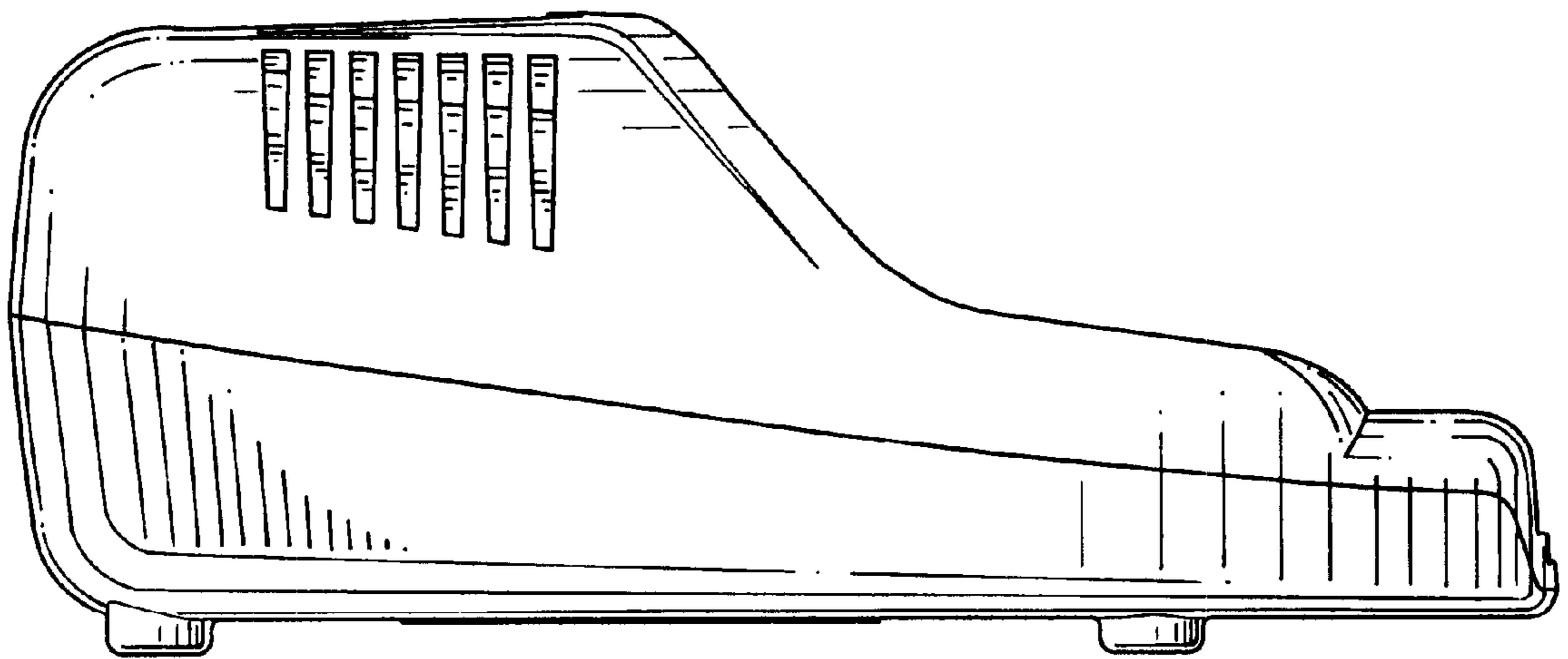


FIG.4

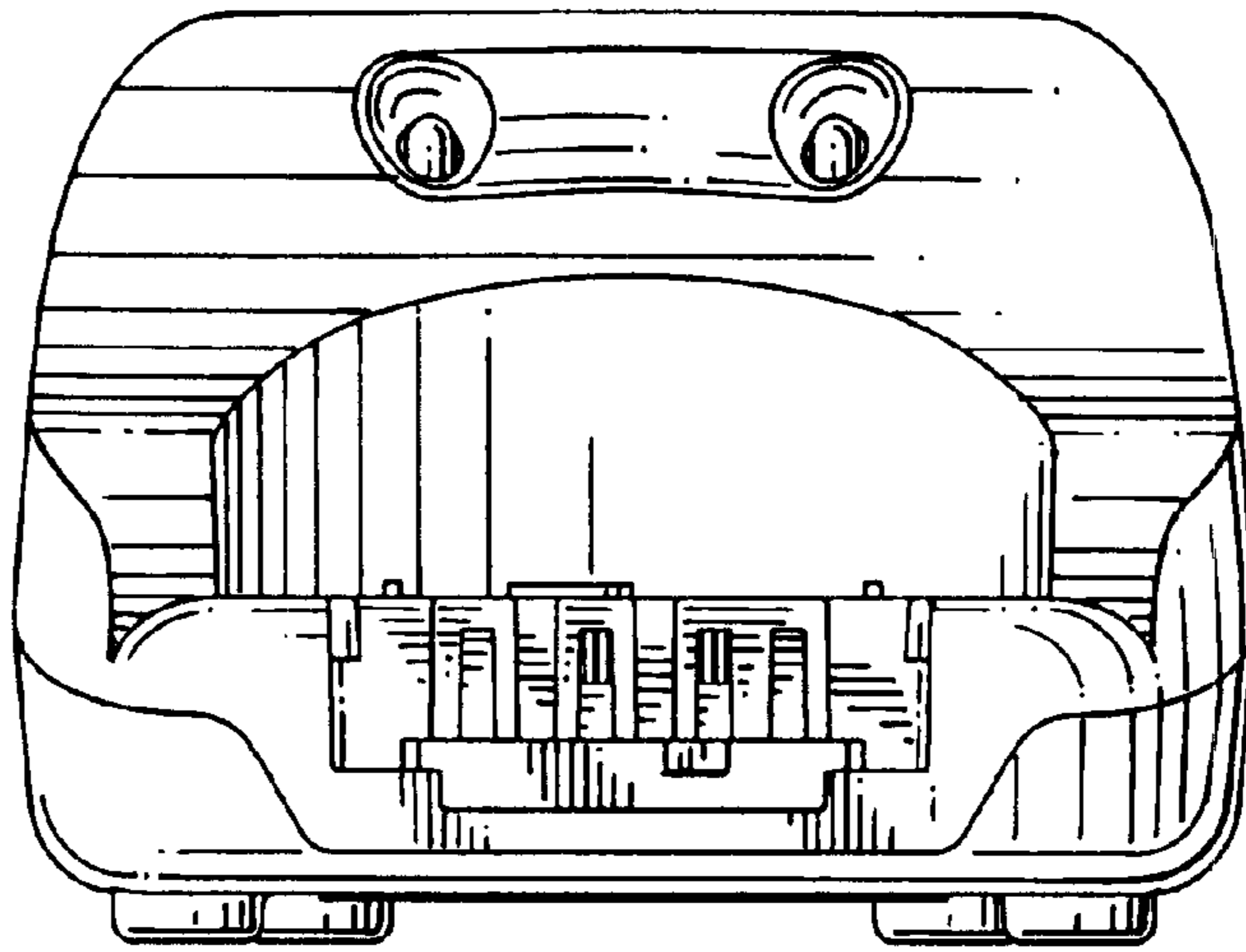


FIG. 5

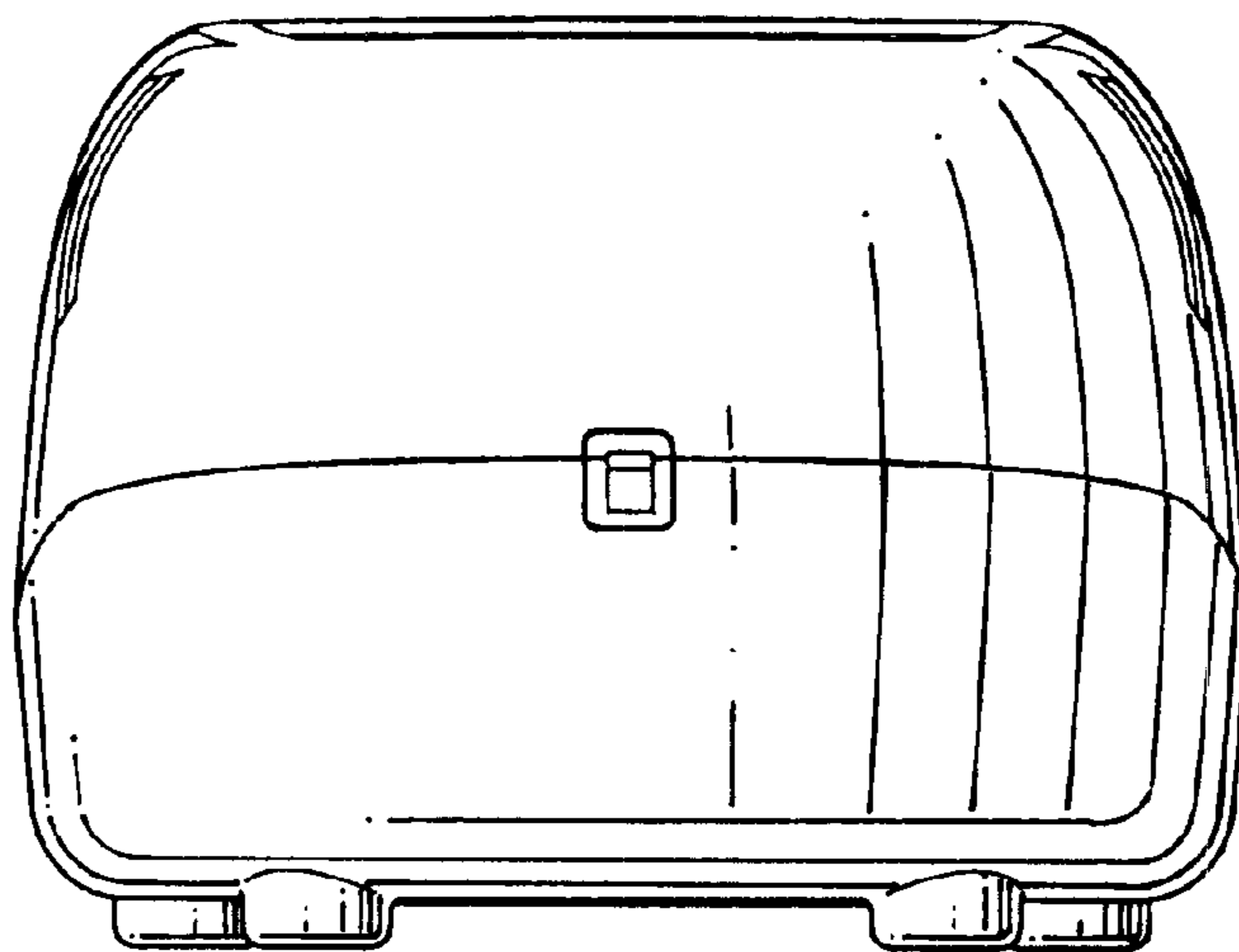


FIG. 6