



US00D460402S

(12) **United States Design Patent**
Ishida et al.

(10) **Patent No.:** **US D460,402 S**
(45) **Date of Patent:** **** Jul. 16, 2002**

(54) **AUTOMOBILE TIRE**

(75) Inventors: **Masahiro Ishida; Hiroyoshi Hibino,**
both of Hiratsuka; **Hiroshi Tokizaki,**
Tokyo, all of (JP)

(73) Assignee: **The Yokohama Rubber Co., Ltd.,**
Tokyo (JP)

(**) Term: **14 Years**

(21) Appl. No.: **29/150,337**

(22) Filed: **Nov. 21, 2001**

(30) **Foreign Application Priority Data**

May 23, 2001 (JP) 2001-014729

(51) **LOC (7) Cl.** **12-15**

(52) **U.S. Cl.** **D12/523**

(58) **Field of Search** **D12/505, 519,**
D12/520, 521, 522, 523, 551, 552, 553,
554, 555, 586, 587, 588, 589, 590, 591;
152/209.1, 209.8, 209.9, 209.13, 209.18,
209.25, 209.28, 455

(56) **References Cited**

U.S. PATENT DOCUMENTS

D402,938 S * 12/1998 Villamizar D12/523

OTHER PUBLICATIONS

Atlas (us) Super Sport Radial HPT Tire, 2000 Tread Design
Guide, Jan. 2000, p. 13. 3/5.*

Dean HPZ-760 Tire, 2000 Tread Design Guide, Jan. 2000,
p. 24. 4/5.*

* cited by examiner

Primary Examiner—Robert M. Spear

(74) *Attorney, Agent, or Firm*—Rader, Fishman & Grauer,
PLLC

(57) **CLAIM**

The ornamental design for an automobile tire, as shown and
described.

DESCRIPTION

FIG. 1 is a front view of the automobile tire, showing the
new design, the top plan view and the bottom plan view
appearing the same as the front view;

FIG. 2 is a rear view of the automobile tire;

FIG. 3 is a right side view of the automobile tire;

FIG. 4 is a left side view of the automobile tire;

FIG. 5 is a fragmentary front view, showing in enlargement
the portion of 5—5 in FIG. 1; and,

FIG. 6 is a sectional view thereof, taken on line 6—6 and in
the direction of arrows in FIG. 5.

1 Claim, 2 Drawing Sheets

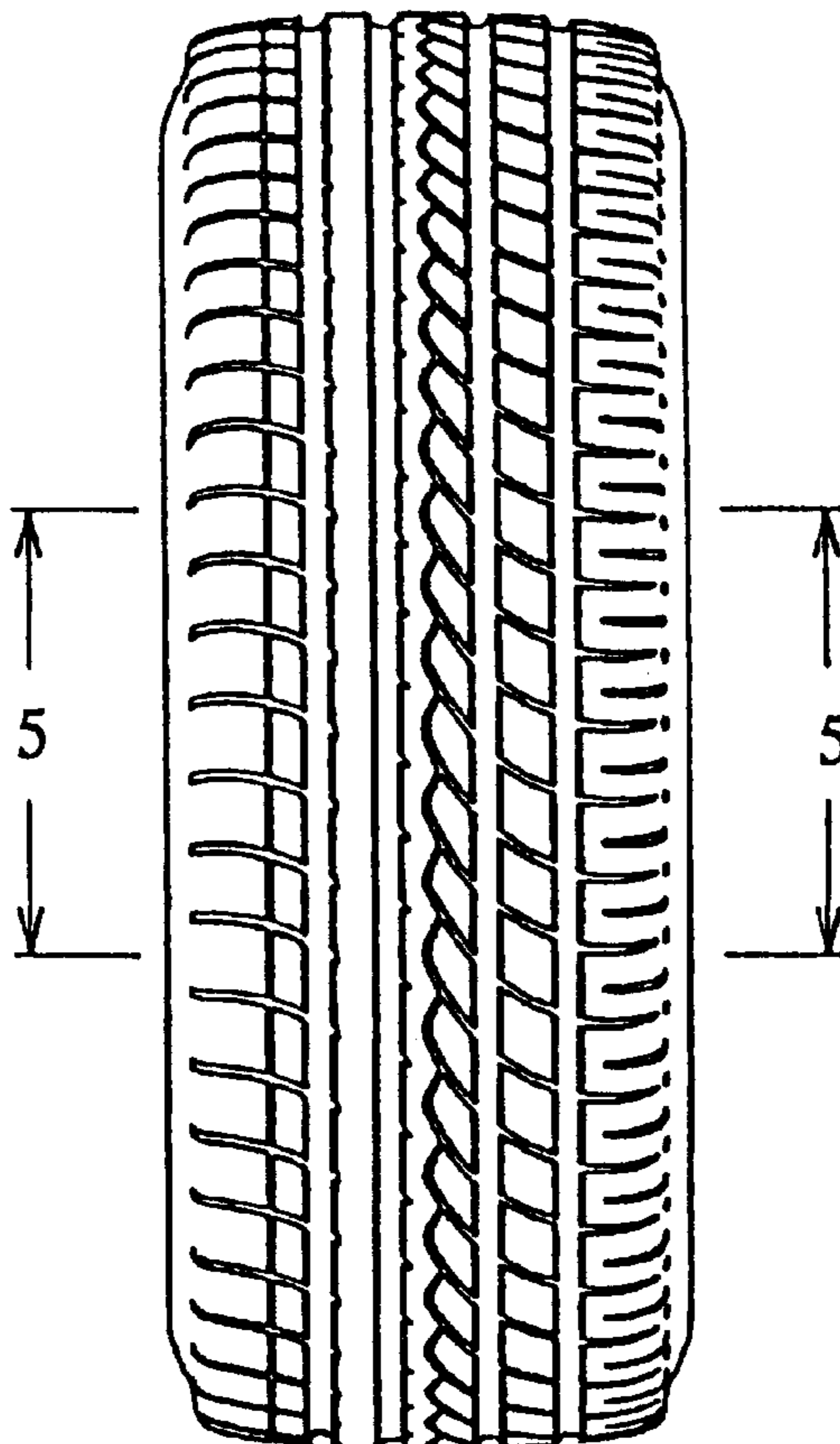


FIG. 1

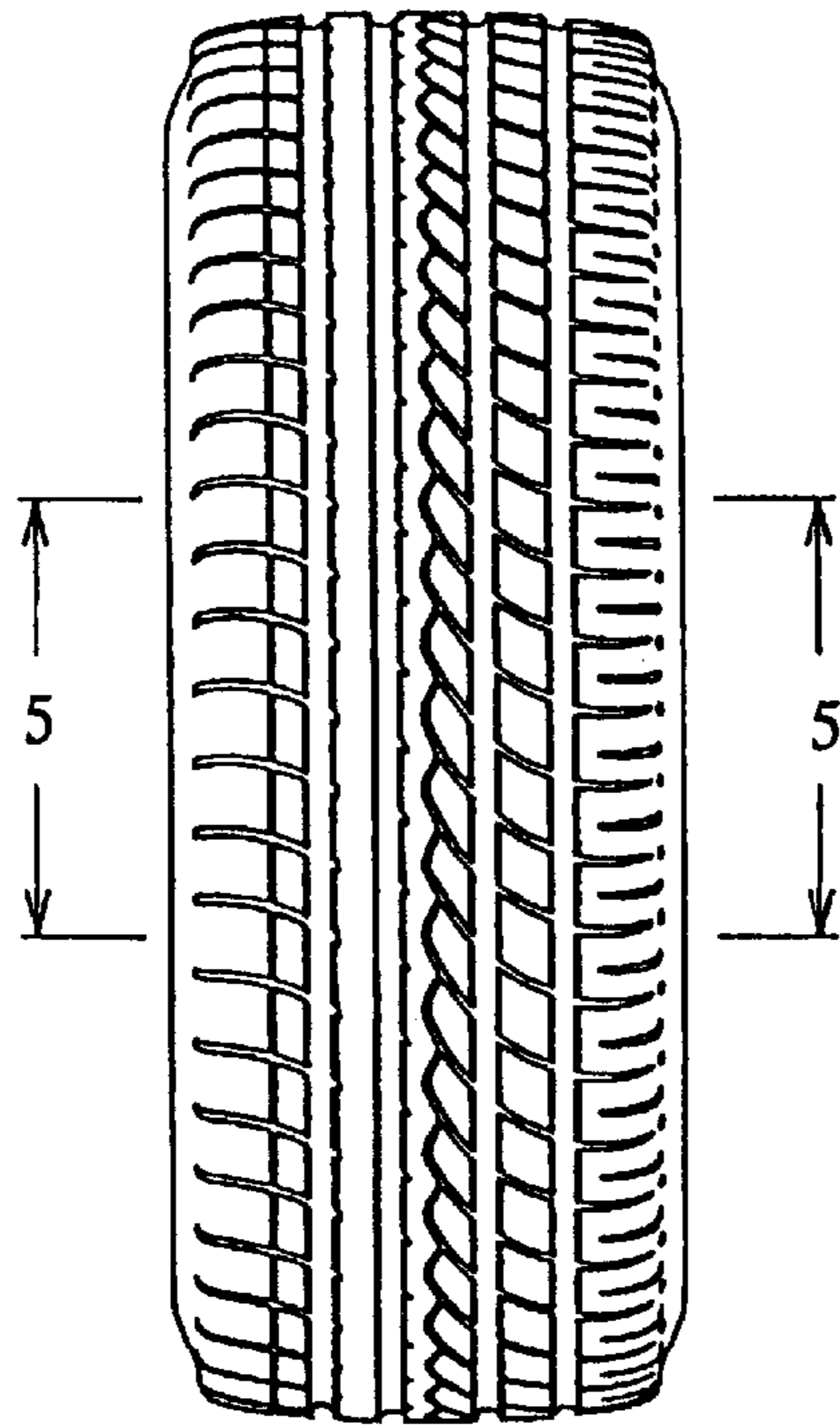


FIG. 2

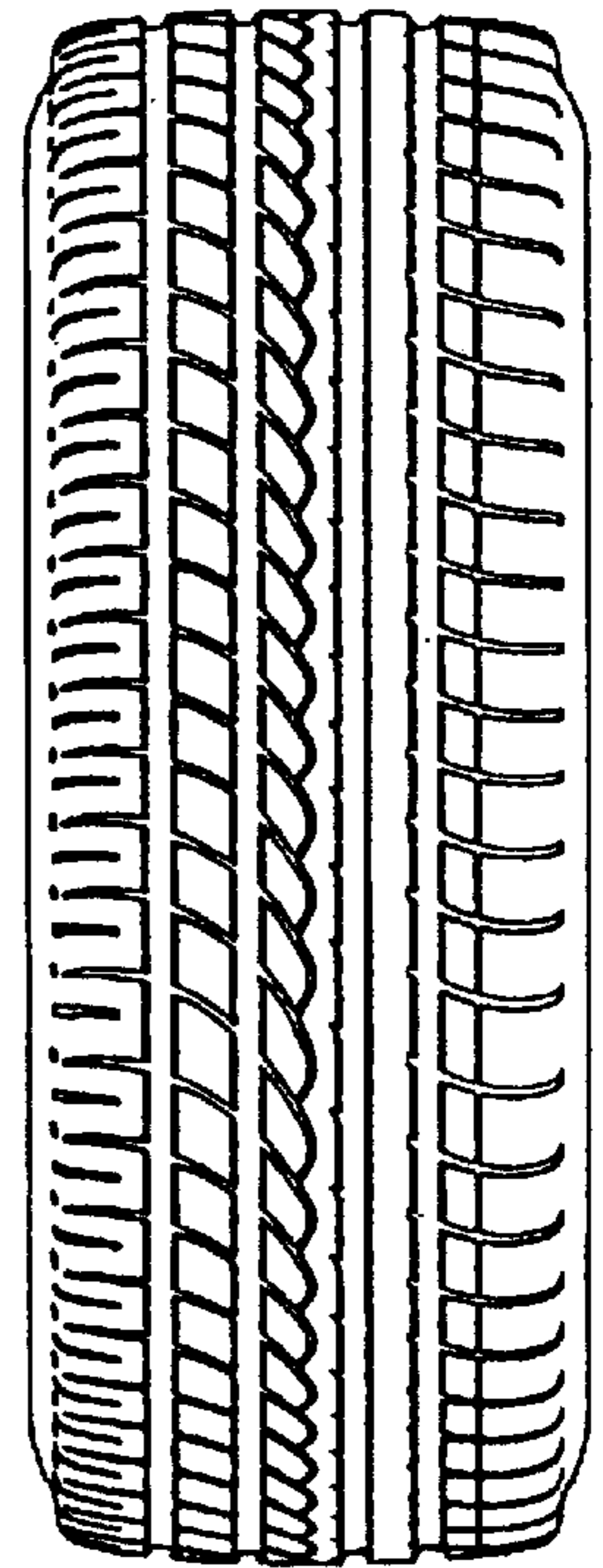


FIG. 3

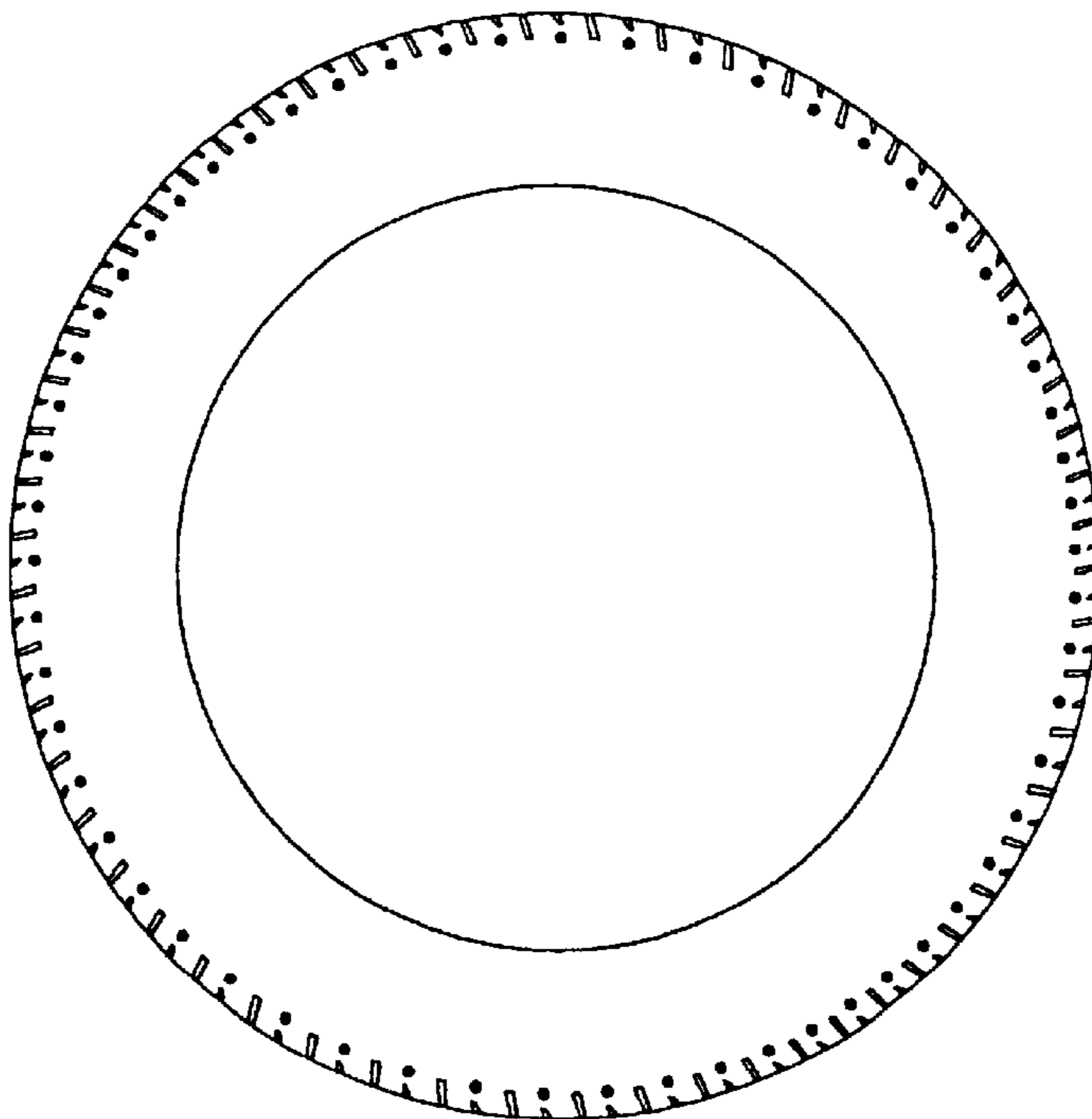


FIG. 4

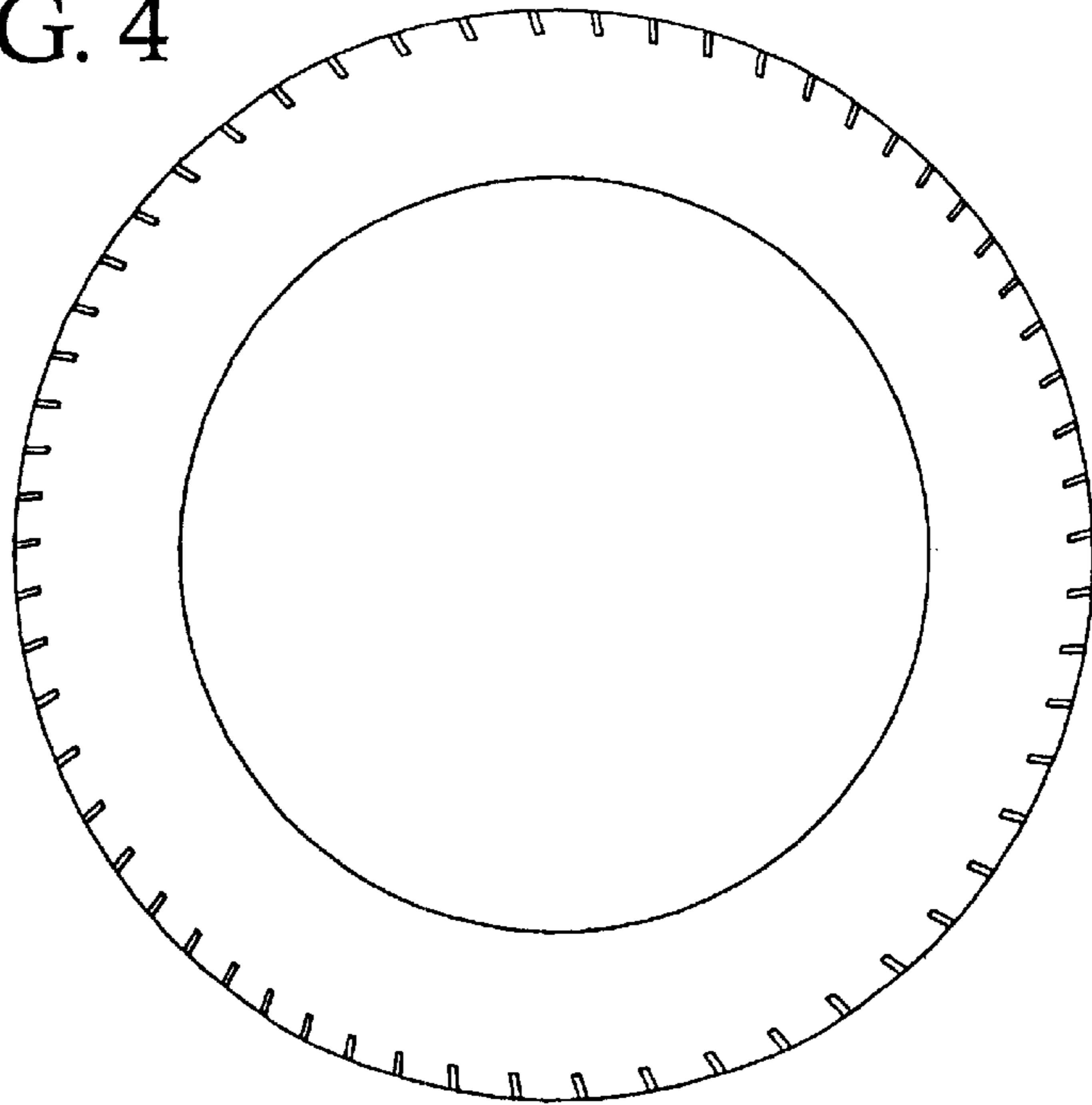


FIG. 5

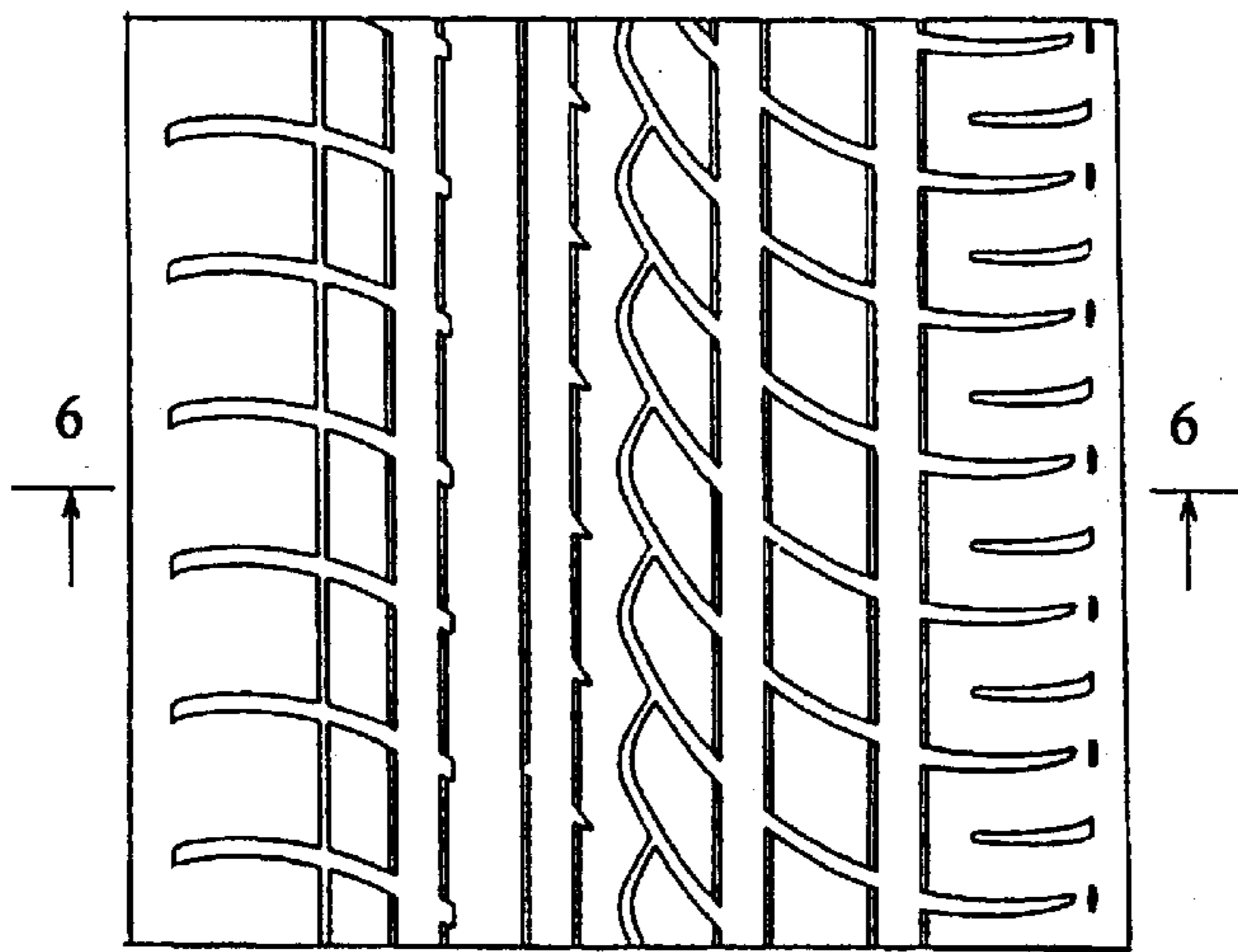


FIG. 6

