



US00D460401S

(12) **United States Design Patent**
Andersson

(10) **Patent No.:** **US D460,401 S**

(45) **Date of Patent:** **** Jul. 16, 2002**

(54) **BICYCLE HOLDER FOR VEHICLES**

(75) Inventor: **Goran Andersson**, Boras (SE)

(73) Assignee: **Mont Blanc Industri AB**, Dalsjofors (SE)

(**) Term: **14 Years**

(21) Appl. No.: **29/137,918**

(22) Filed: **Mar. 1, 2001**

(30) **Foreign Application Priority Data**

Sep. 1, 2000 (SE) 00 1576

(51) **LOC (7) Cl.** **12-16**

(52) **U.S. Cl.** **D12/408**

(58) **Field of Search** D12/412, 407,
D12/408; 224/309, 322, 324-327, 329,
331, 924; 211/17, 22; 296/3; 280/769

(56) **References Cited**

U.S. PATENT DOCUMENTS

D172,817 S * 8/1954 Binding D12/412

D299,224 S * 1/1989 Kamaya D12/412

* cited by examiner

Primary Examiner—Alan P. Douglas

Assistant Examiner—Linda Brooks

(74) *Attorney, Agent, or Firm*—White & Case LLP

(57) **CLAIM**

The ornamental design for a bicycle holder for vehicles, as shown and described.

DESCRIPTION

FIG. 1 is a view from below showing the bicycle holder for vehicles according to the present invention.

FIG. 2 is a right side view.

FIG. 3 is a view from above.

FIG. 4 is a front view.

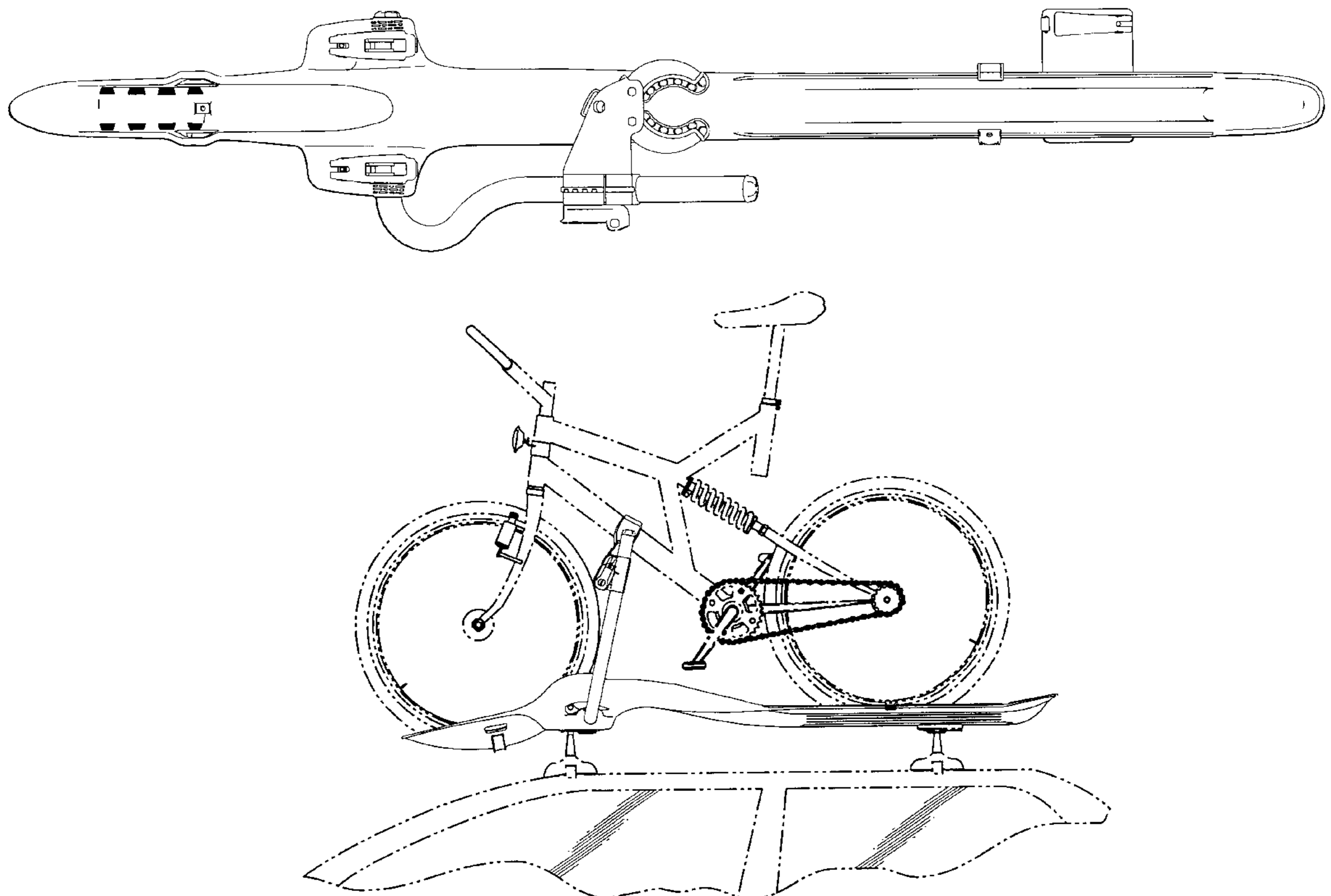
FIG. 5 is a rear side view.

FIG. 6 is a perspective view.

FIG. 7 is a perspective view; and,

FIG. 8 shows the bicycle holder for vehicles on a reduced scale while in use, with the broken line illustration of a bicycle and portion of a car for purposes of illustration only and forming no part of the claimed design.

1 Claim, 4 Drawing Sheets



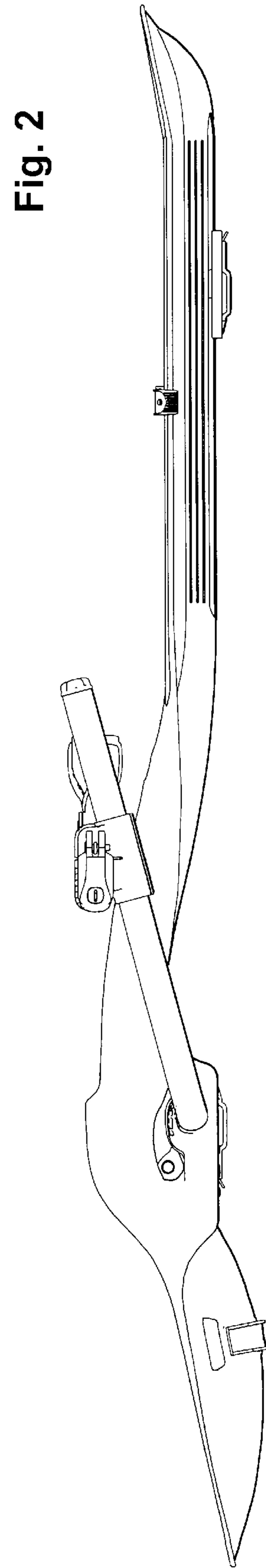
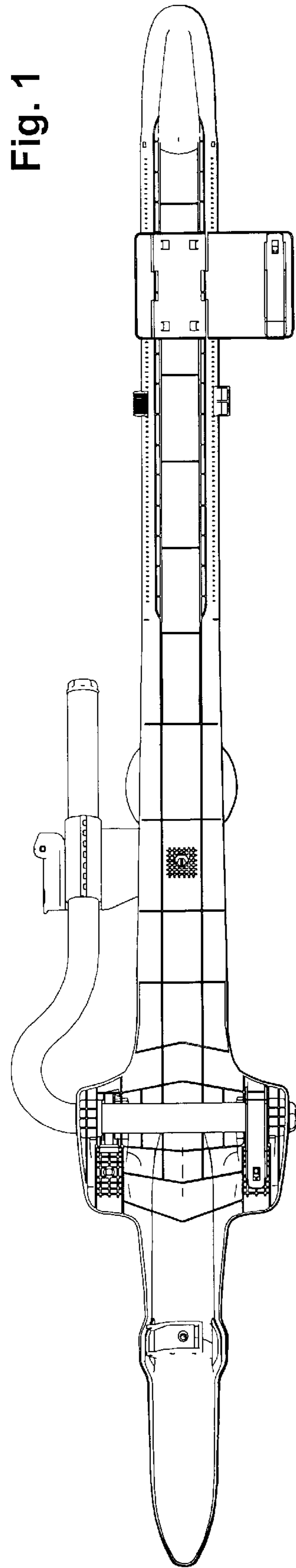


Fig. 3

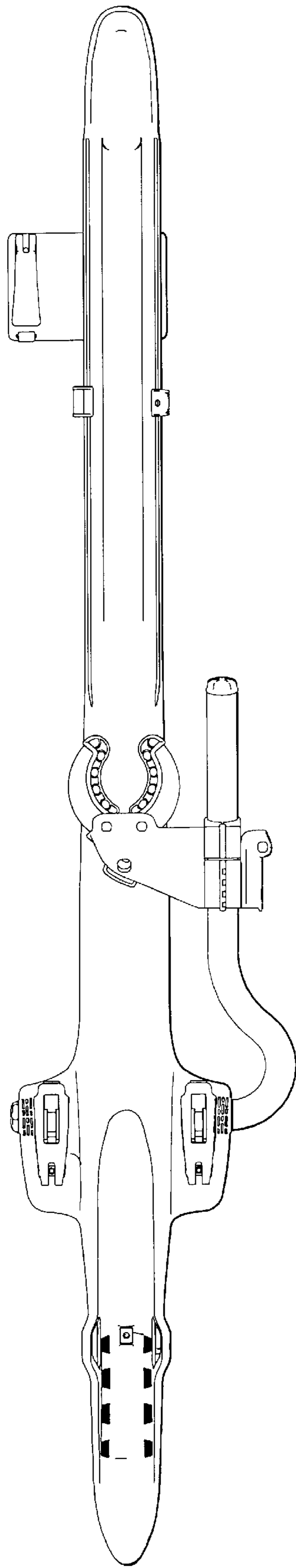


Fig. 5

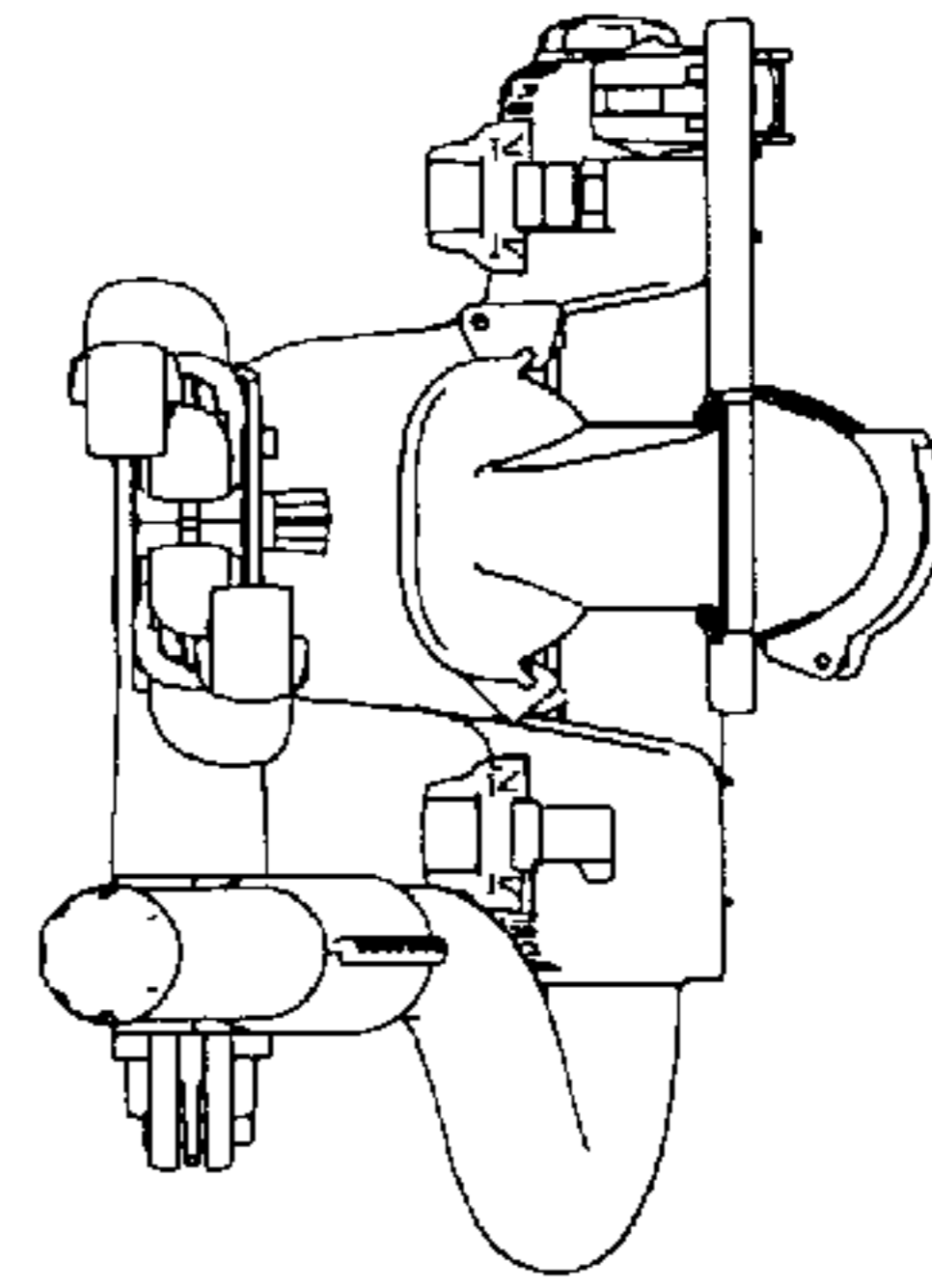


Fig. 4

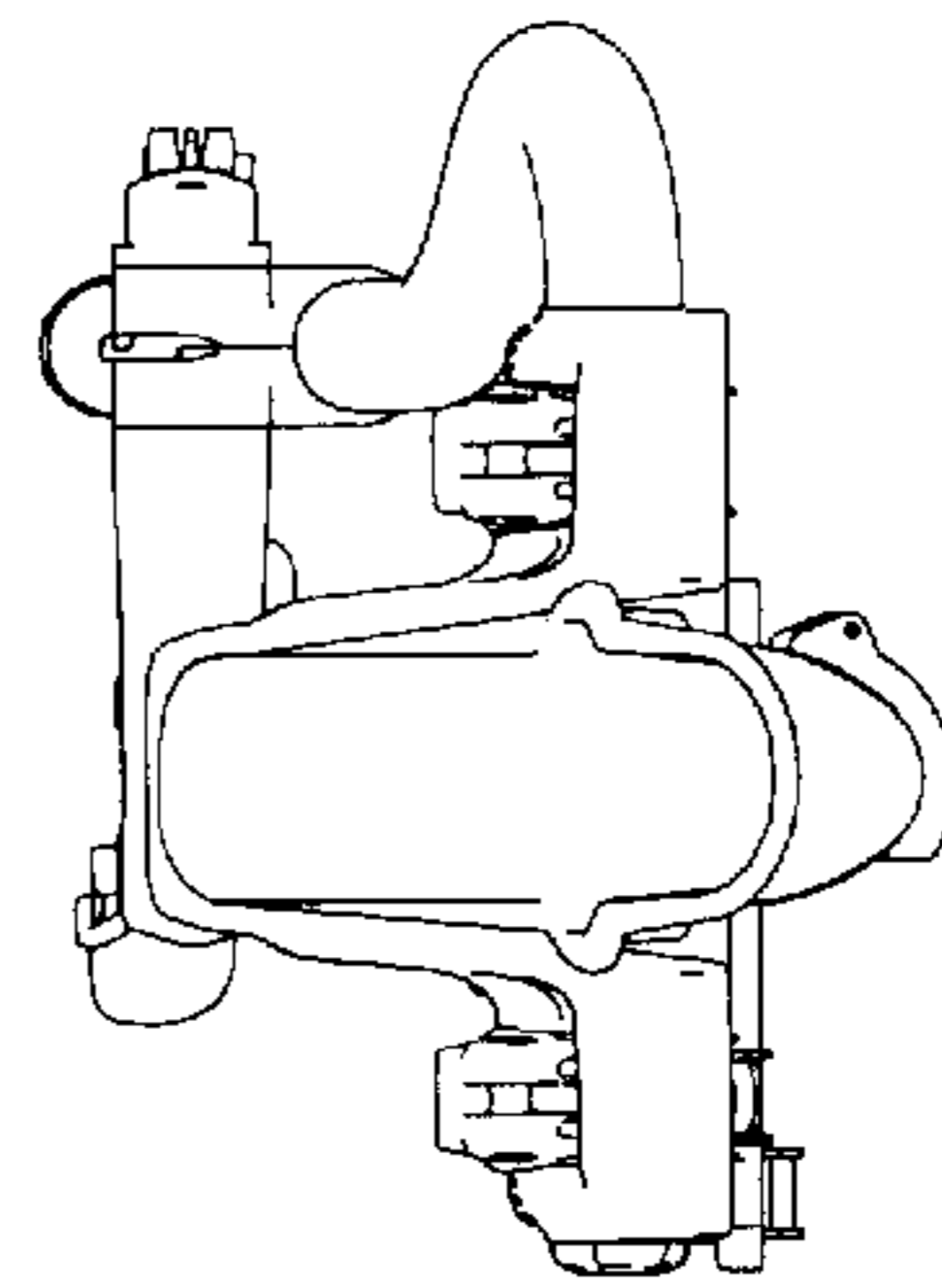


Fig. 6

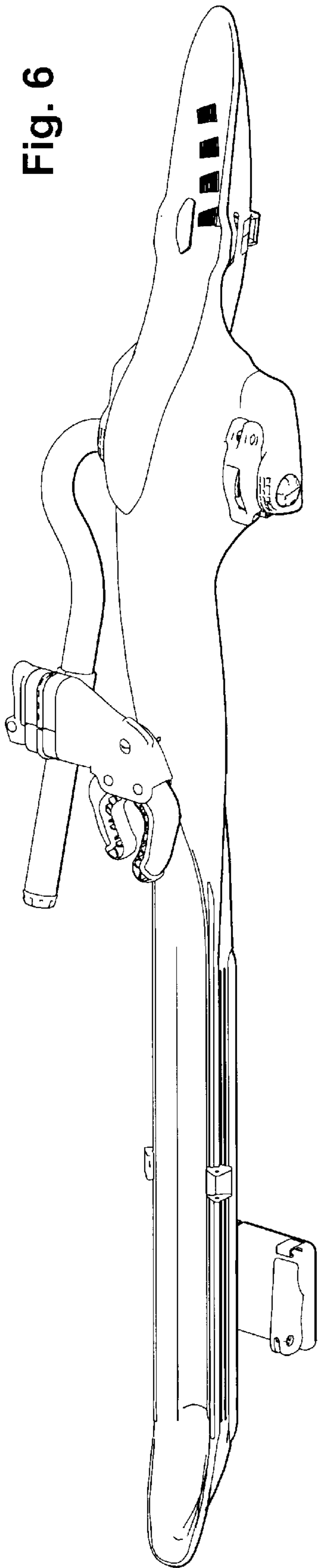
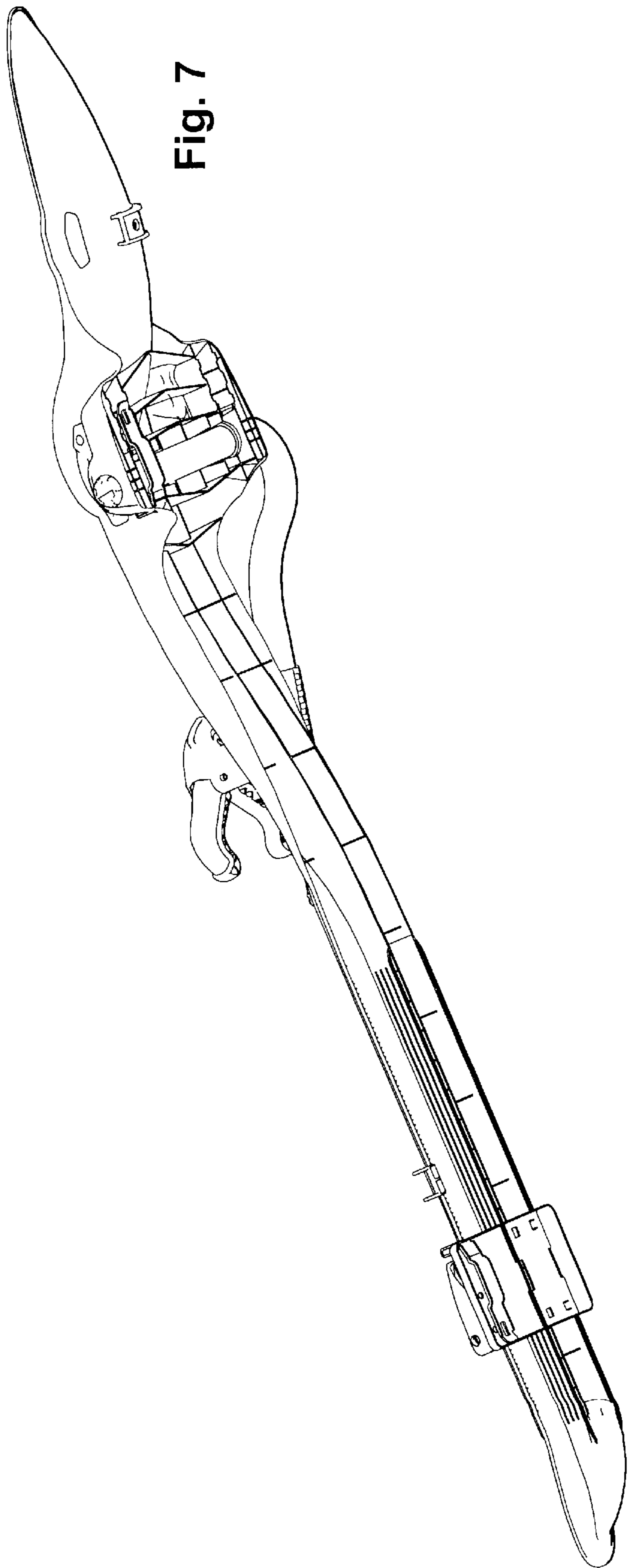


Fig. 7



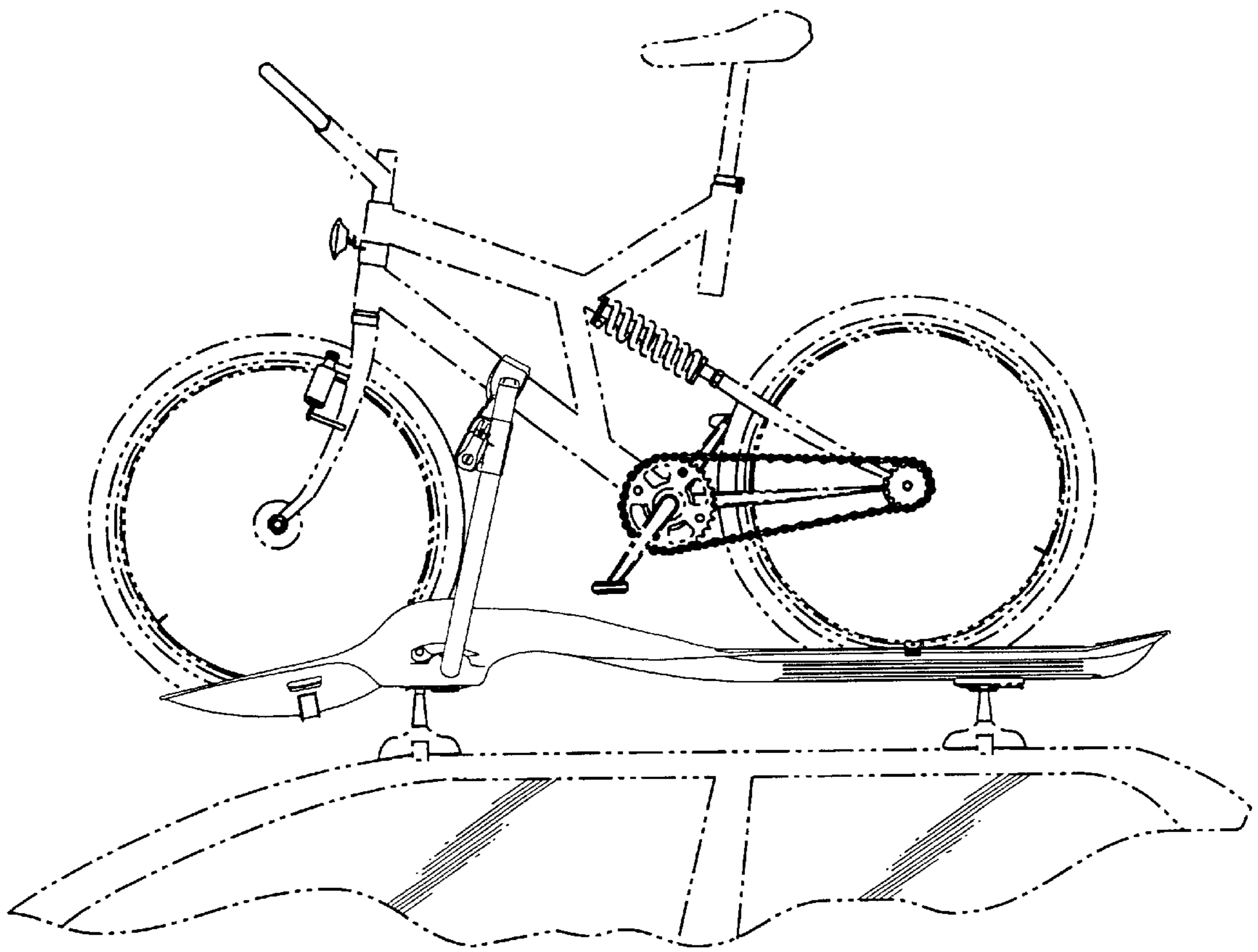


Fig. 8