



US00D460398S

(12) **United States Design Patent**
Berry et al.

(10) **Patent No.:** **US D460,398 S**

(45) **Date of Patent:** **** Jul. 16, 2002**

(54) **BULLET DESIGN WHEEL FASTENER WITH SLOTTED BASE**

(75) Inventors: **David Berry; Mark Berger**, both of Montclair, CA (US)

(73) Assignee: **Trade Union International, Inc.**, Montclair, CA (US)

(**) Term: **14 Years**

(21) Appl. No.: **29/152,426**

(22) Filed: **Dec. 17, 2001**

(51) **LOC (7) Cl.** **12-16**

(52) **U.S. Cl.** **D12/213**

(58) **Field of Search** D12/213, 400, D12/204; 301/37.1, 64.1, 65, 108, 122.5; 446/404; D8/397; D9/435, 445; 411/371, 429-433, 925, 374

(56) **References Cited**

U.S. PATENT DOCUMENTS

D350,524 S * 9/1994 Bias D12/213

5,590,992 A * 1/1997 Russell 411/431
D407,362 S * 3/1999 Schardt D12/204
D420,313 S * 2/2000 Sample D12/213 X
D439,213 S * 3/2001 Huang D12/213
D443,581 S * 6/2001 Williams D12/213
D445,085 S * 7/2001 Herrera D12/213

* cited by examiner

Primary Examiner—Stacia Cadmus

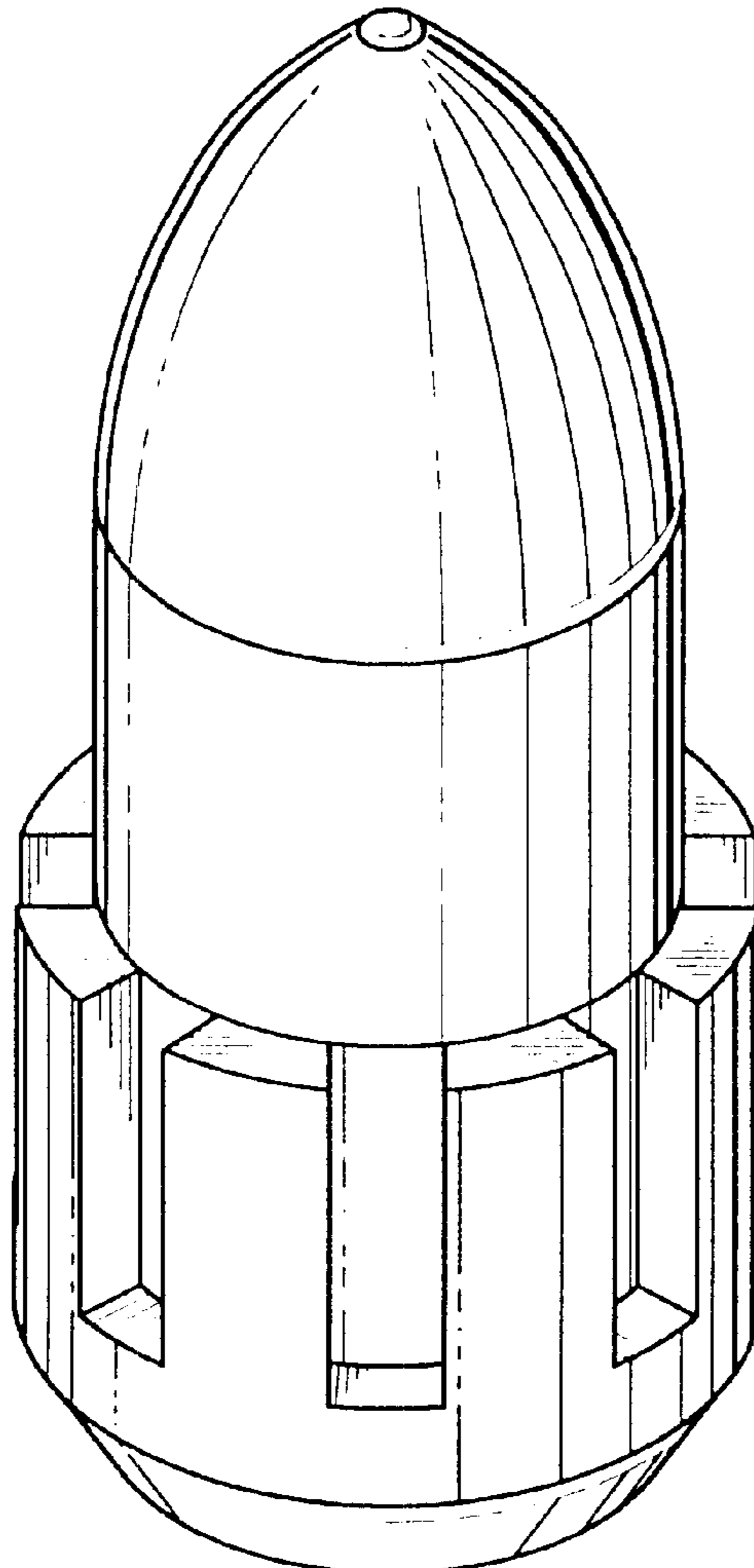
(57) **CLAIM**

The ornamental design for a bullet design wheel fastener with slotted base, as shown and described.

DESCRIPTION

FIG. 1 is a perspective view of a bullet design wheel fastener with slotted base my new design;
FIG. 2 is a front view thereof, of which the opposite view is a mirror image;
FIG. 3 is a top plan view thereof; and,
FIG. 4 is a bottom view thereof.

1 Claim, 1 Drawing Sheet



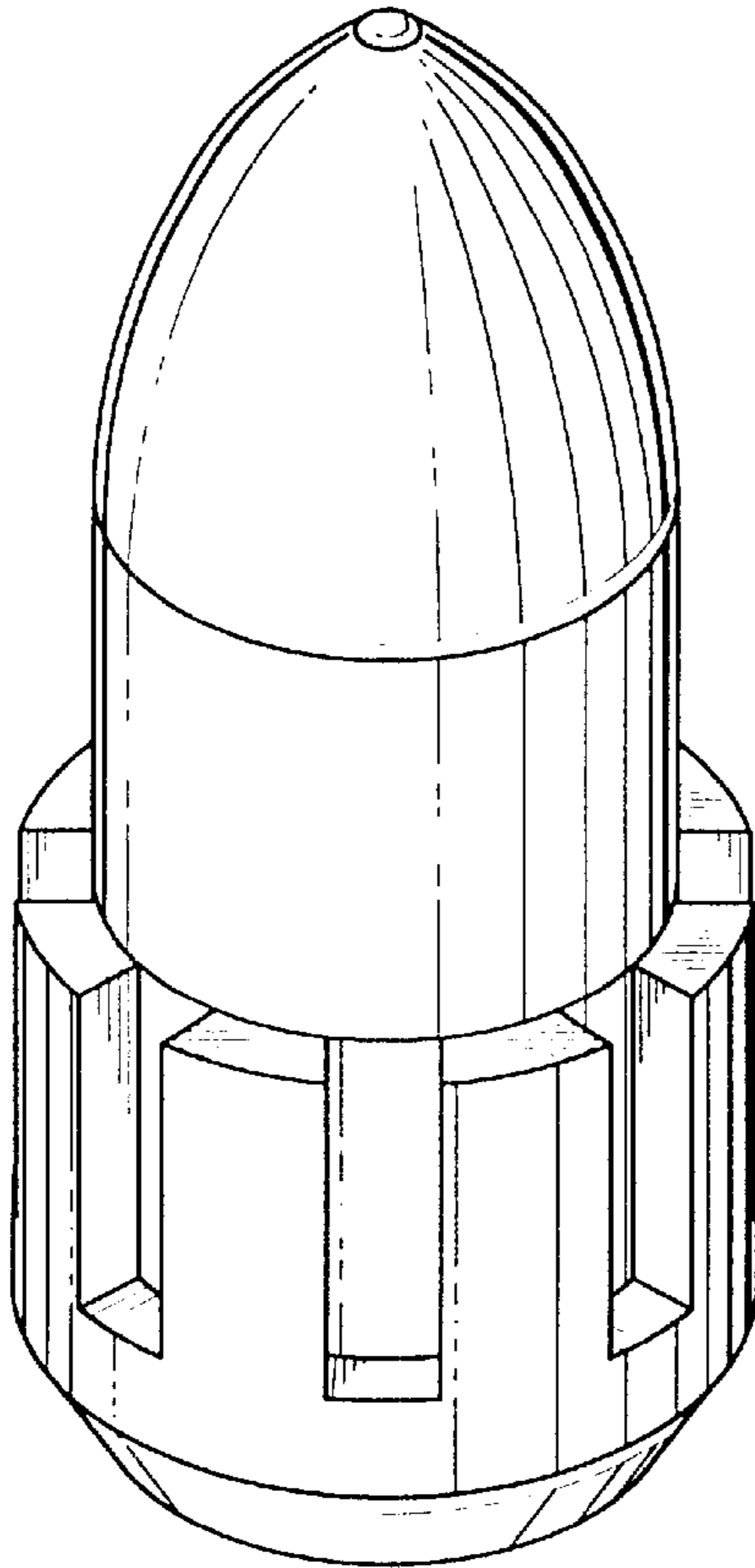


FIG. 1

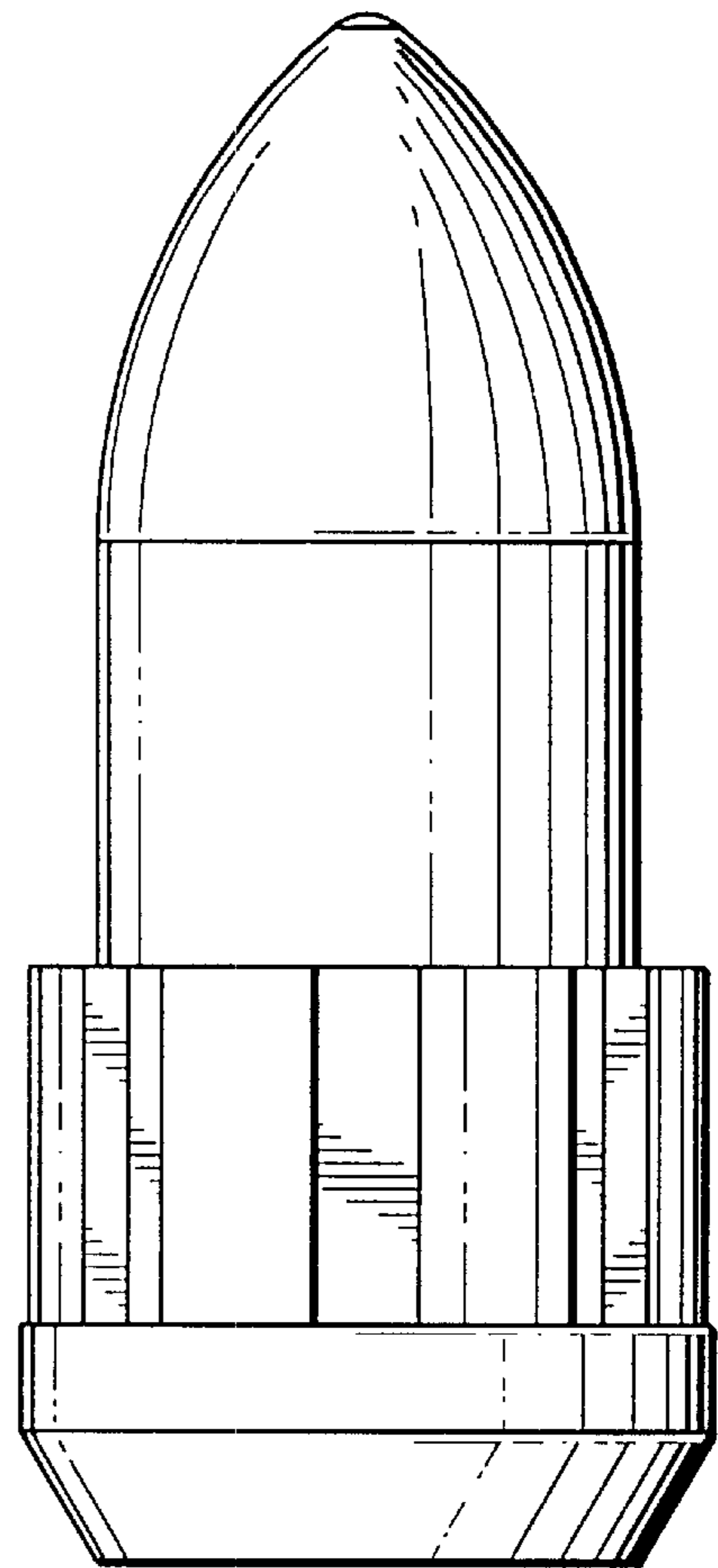


FIG. 2

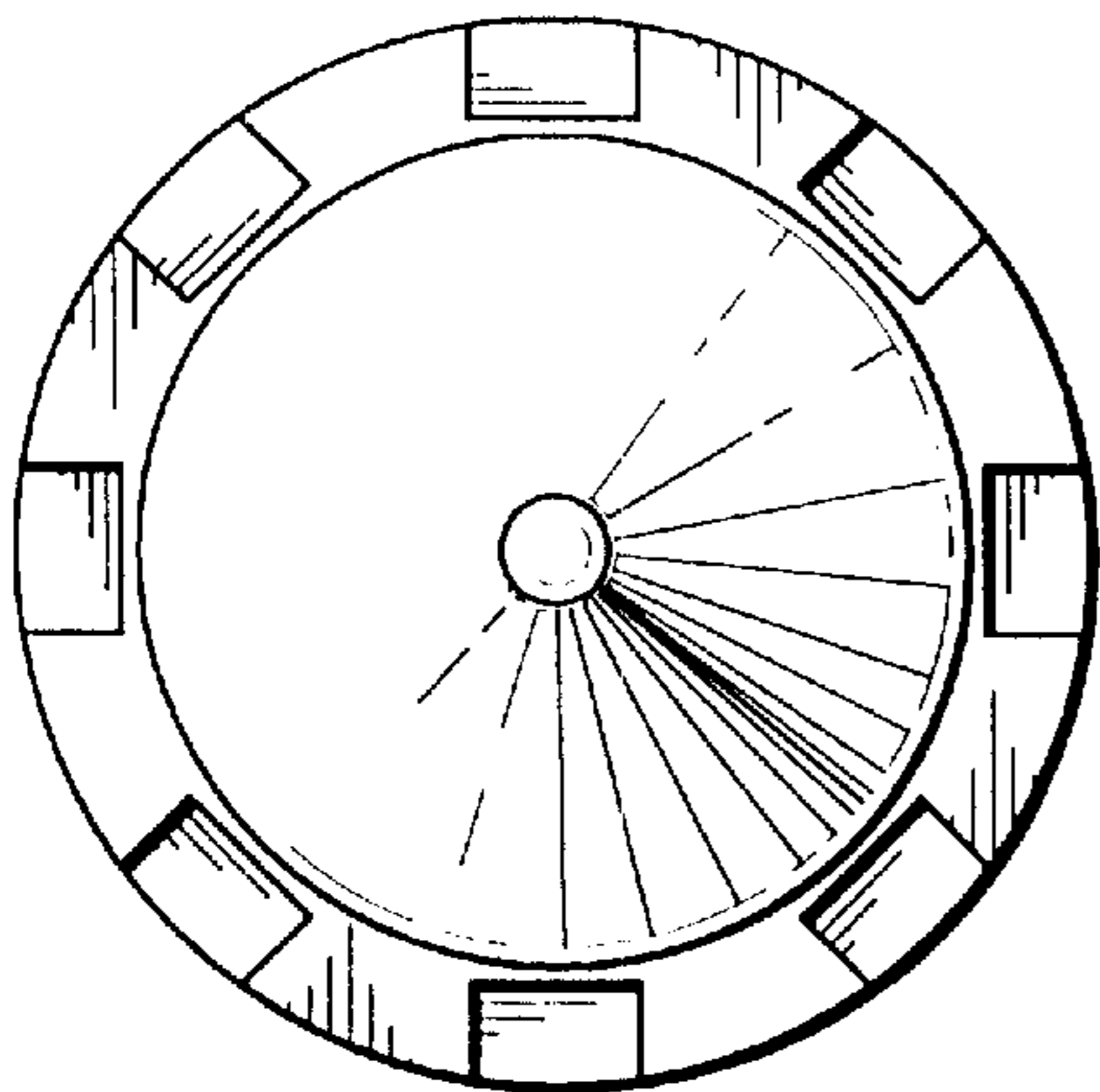


FIG. 3

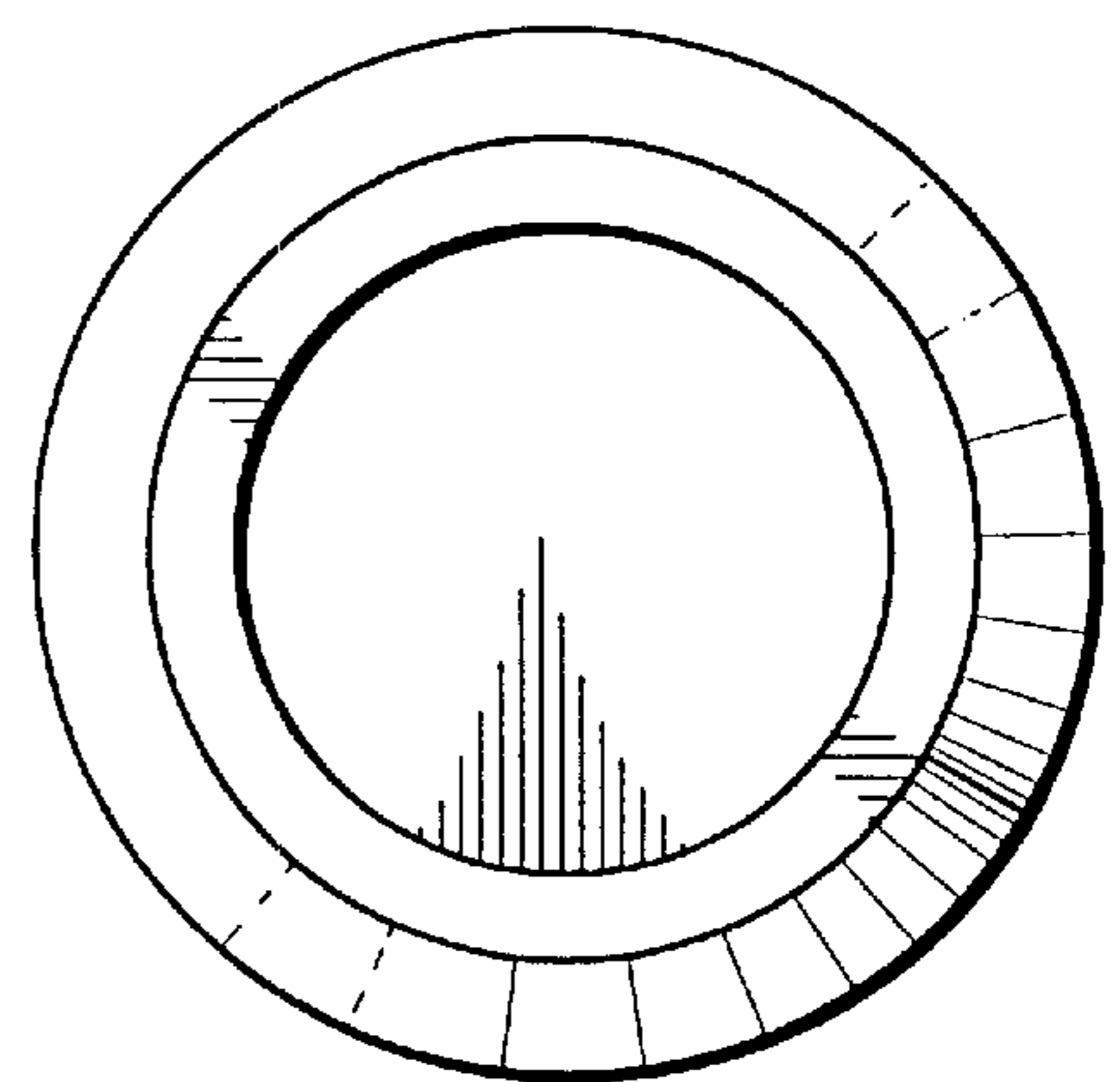


FIG. 4