



US00D460394S

(12) **United States Design Patent**
Wang

(10) **Patent No.:** **US D460,394 S**

(45) **Date of Patent:** **** Jul. 16, 2002**

(54) **INVERTIBLE LICENSE PLATE FRAME AND MOUNTING ADAPTER**

(76) **Inventor:** **Calvin S. Wang**, 14317 E. Don Julian Rd., Industry, CA (US) 91746

(**) **Term:** **14 Years**

(21) **Appl. No.:** **29/128,685**

(22) **Filed:** **Aug. 29, 2000**

(51) **LOC (7) Cl.** **12-16**

(52) **U.S. Cl.** **D12/193**

(58) **Field of Search** D12/193; D6/300-303, D6/310; D20/13, 35; 40/200-203, 209-210; D11/99, 133

(56) **References Cited**

U.S. PATENT DOCUMENTS

D285,784 S	*	9/1986	Langensiepen	D12/193
D335,858 S	*	5/1993	Traeger	D12/193
D342,929 S	*	1/1994	Spencer	D12/193
D359,262 S	*	6/1995	Shusterman	D12/193
D367,459 S	*	2/1996	Spencer	D12/193
D382,241 S	*	8/1997	Moureaux	D12/193
D411,499 S	*	6/1999	Porter	D12/193
D413,848 S	*	9/1999	Doerr	D12/193
D415,987 S	*	11/1999	Romero	D12/193
D428,374 S	*	7/2000	Steinhagen	D12/193
D437,815 S	*	2/2001	Lyon	D12/193
D441,332 S	*	5/2001	McBroom et al.	D12/193
D441,333 S	*	5/2001	McBroom et al.	D12/193

* cited by examiner

Primary Examiner—Stacia Cadmus

(74) *Attorney, Agent, or Firm*—Albert O. Cota

(57) **CLAIM**

The ornamental design of an invertible license plate frame and mounting adapter, as shown and described.

DESCRIPTION

FIG. 1 is a front elevational view of an invertible license plate frame and mounting adapter showing my new design. The frame in FIGS. 1-5 and the mounting adapter in FIGS. 6-10 are shown separately for ease of illustration.

FIG. 2 is a top plan view thereof,

FIG. 3 is a right side elevational view thereof; the left side elevational view being a mirror image thereof,

FIG. 4 is a rear elevational view thereof;

FIG. 5 is a bottom plan view thereof;

FIG. 6 is a front elevational view of the mounting adapter for attaching the license plate frame showing my new design,

FIG. 7 is a top plan view thereof;

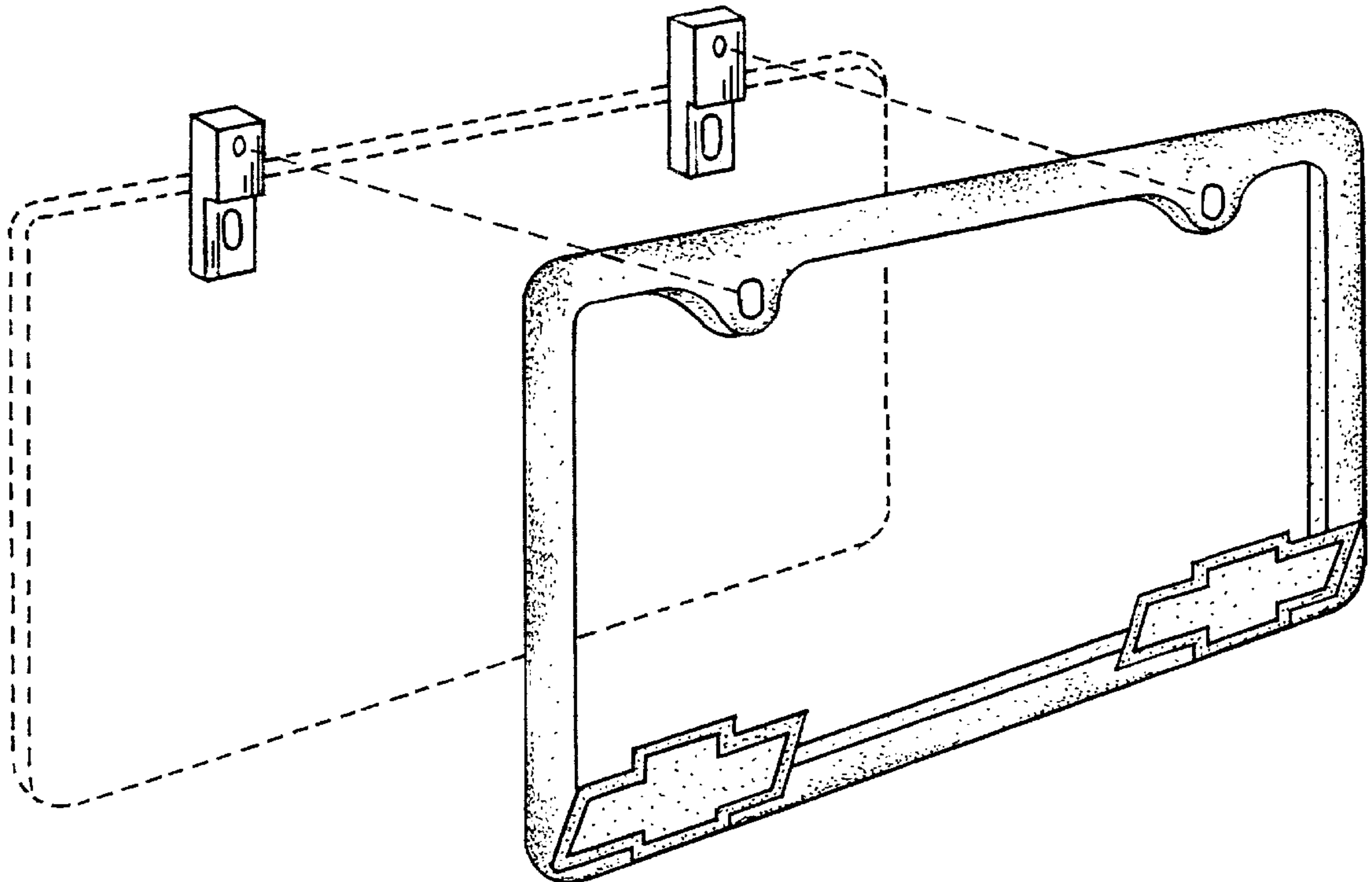
FIG. 8 is a left-side elevational view thereof; the right-side elevational view being a mirror image thereof;

FIG. 9 is a rear elevational view thereof;

FIG. 10 is a bottom plate view thereof; and,

FIG. 11 is a perspective view of an inverted license plate frame being attached via the mounting adapter to a license plate mounting platform. The mounting platform is shown in broken lines for illustrative purposes only and forms no part of the claimed design.

1 Claim, 4 Drawing Sheets



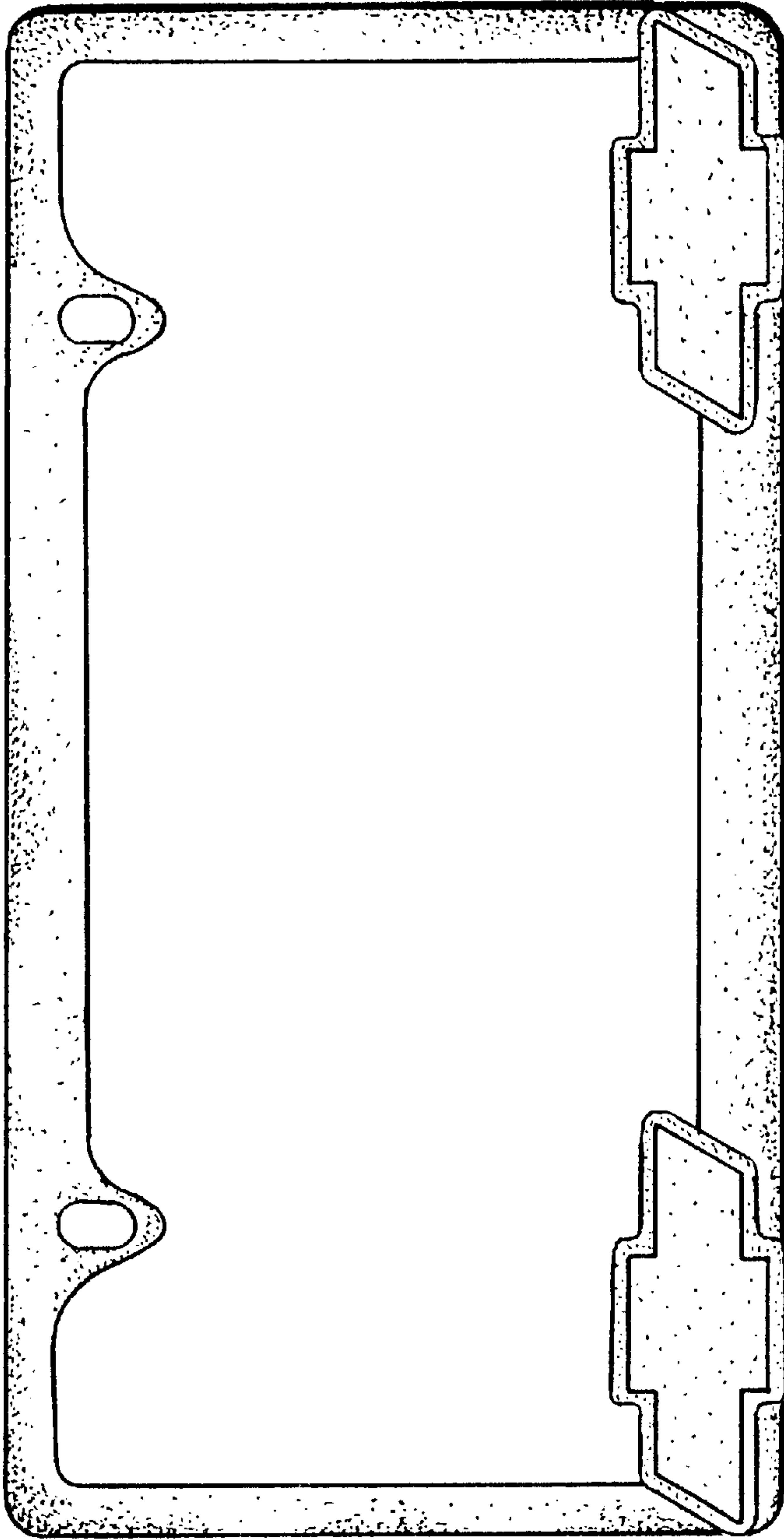


FIG. 1

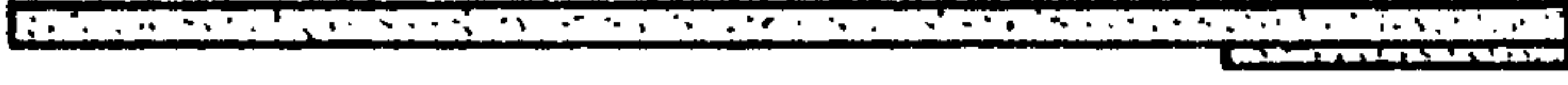


FIG. 3



FIG. 2

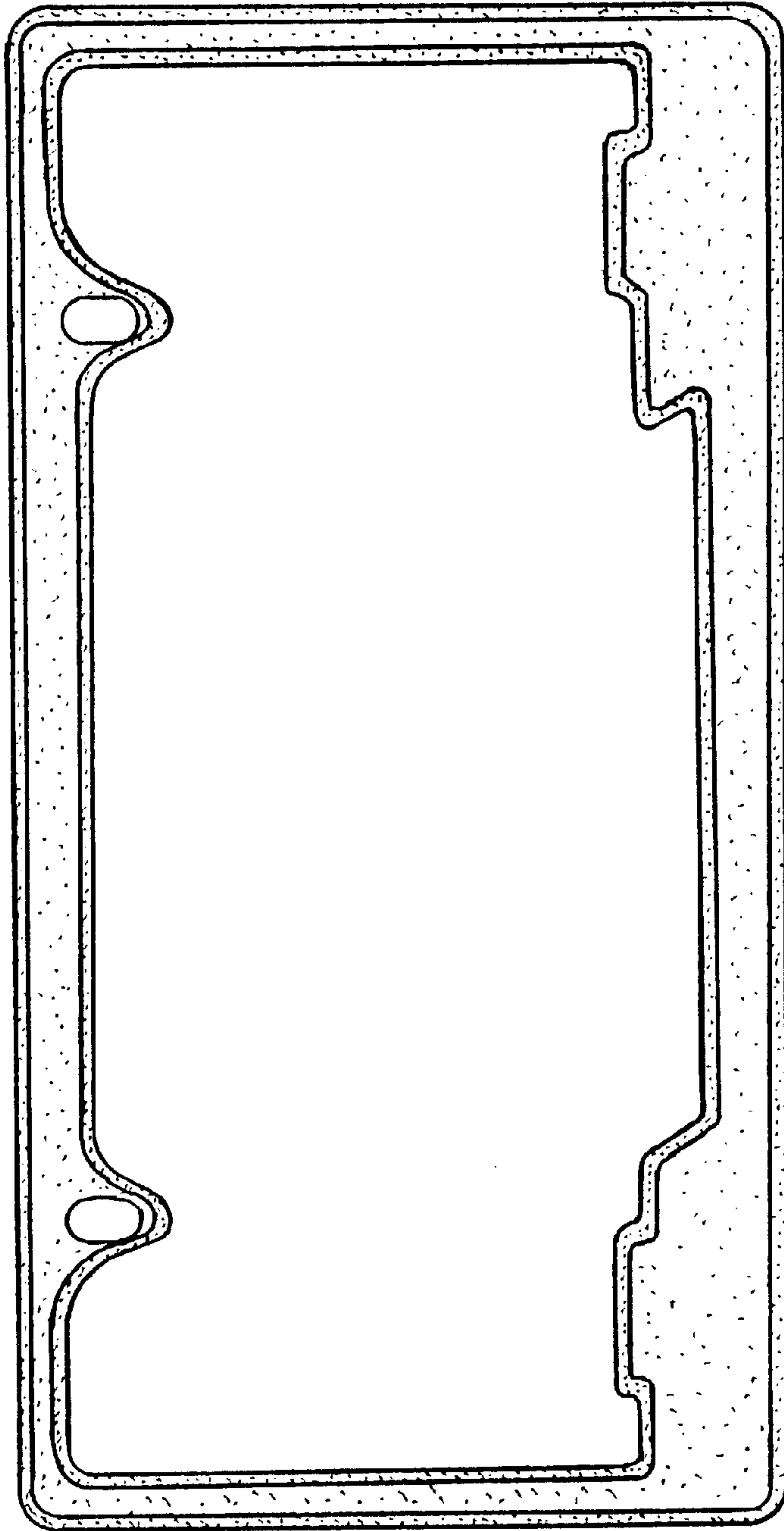


FIG. 4



FIG. 5

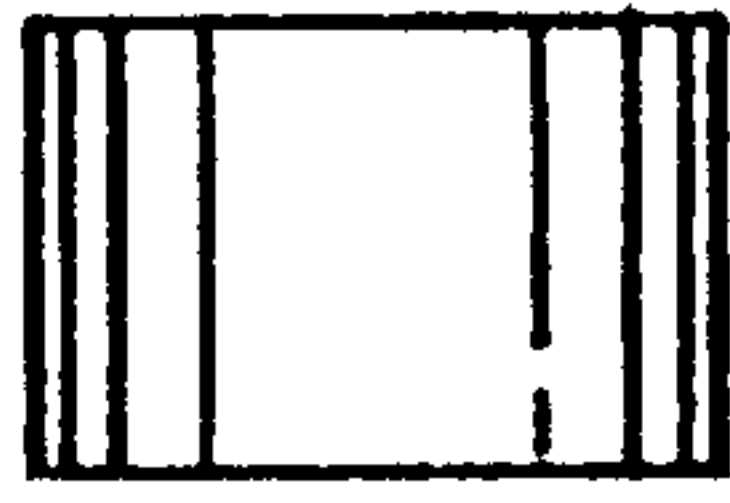


FIG. 7

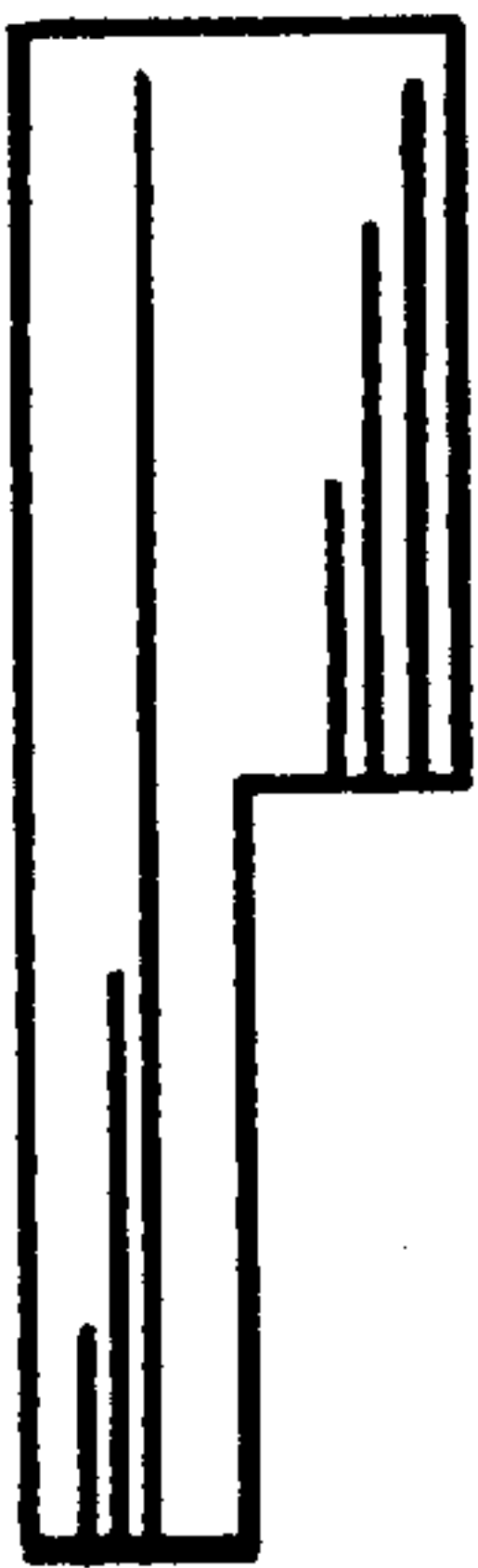


FIG. 8

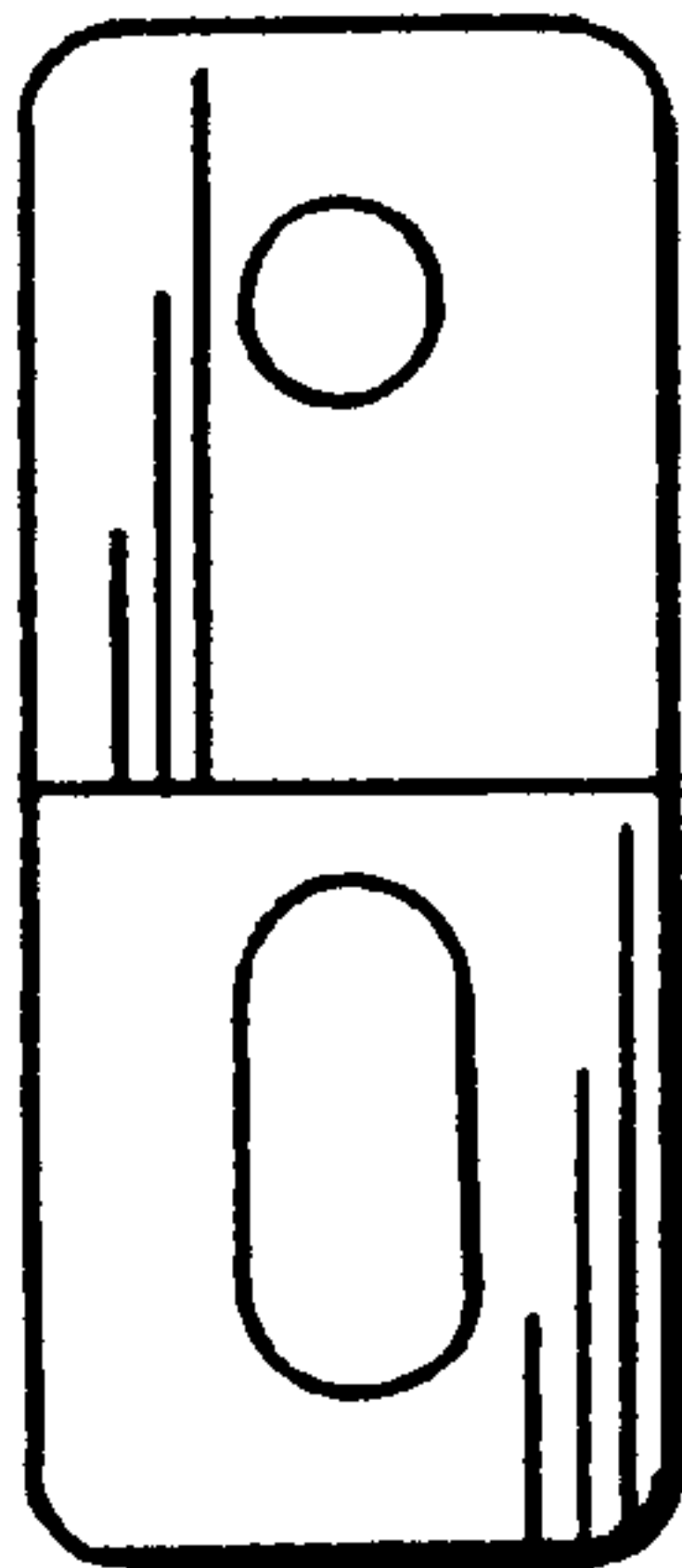


FIG. 6

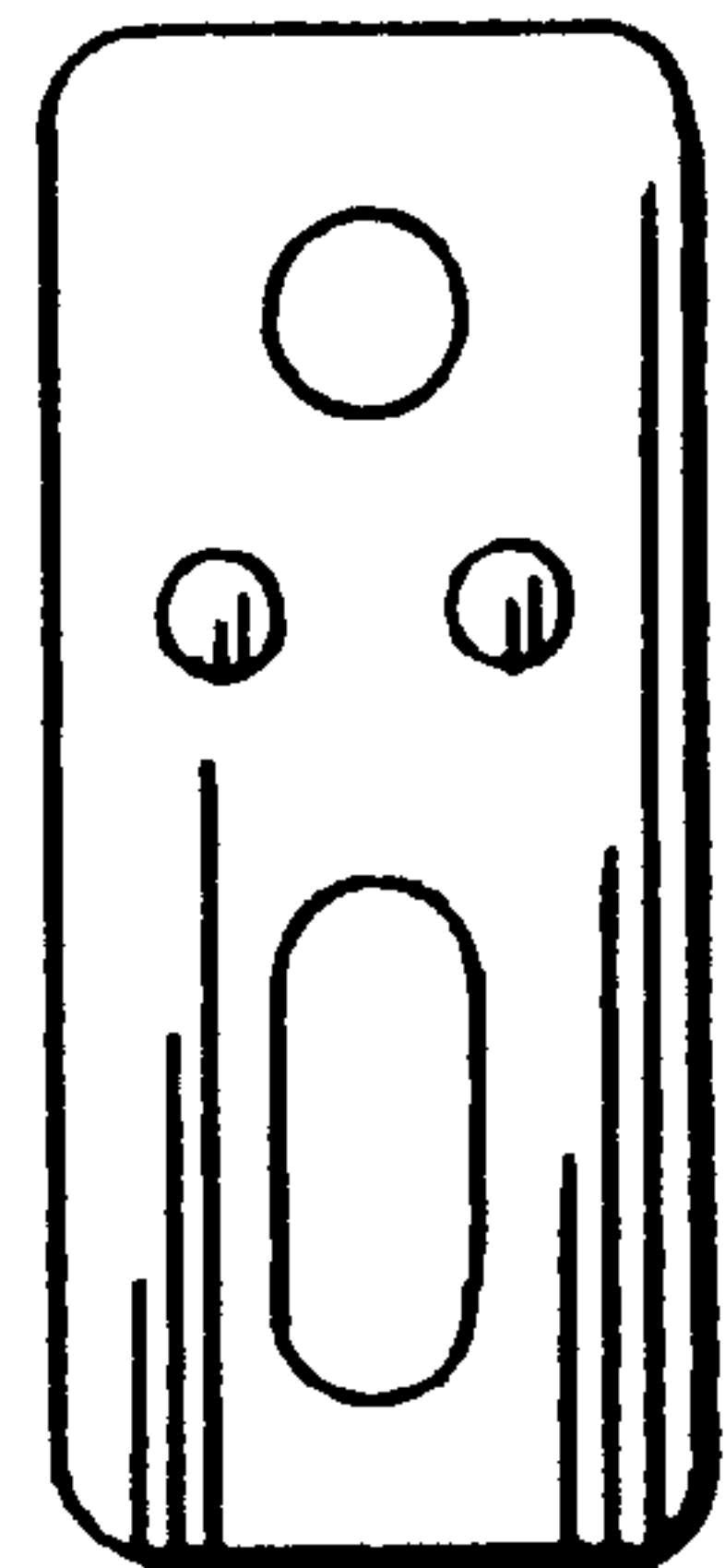


FIG. 9

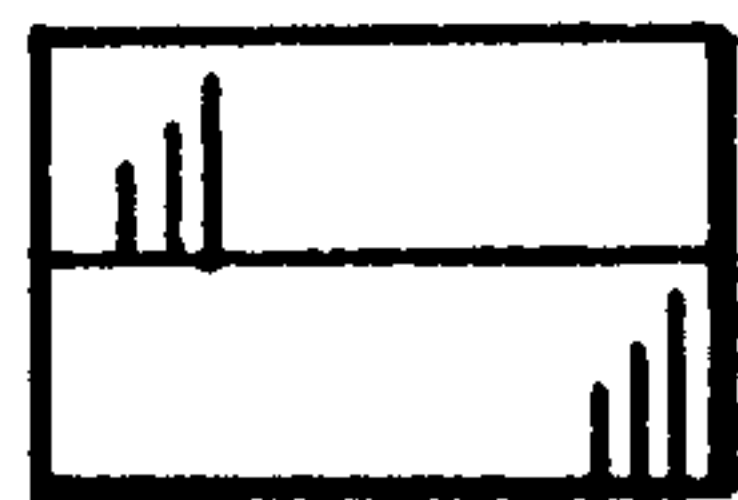


FIG. 10

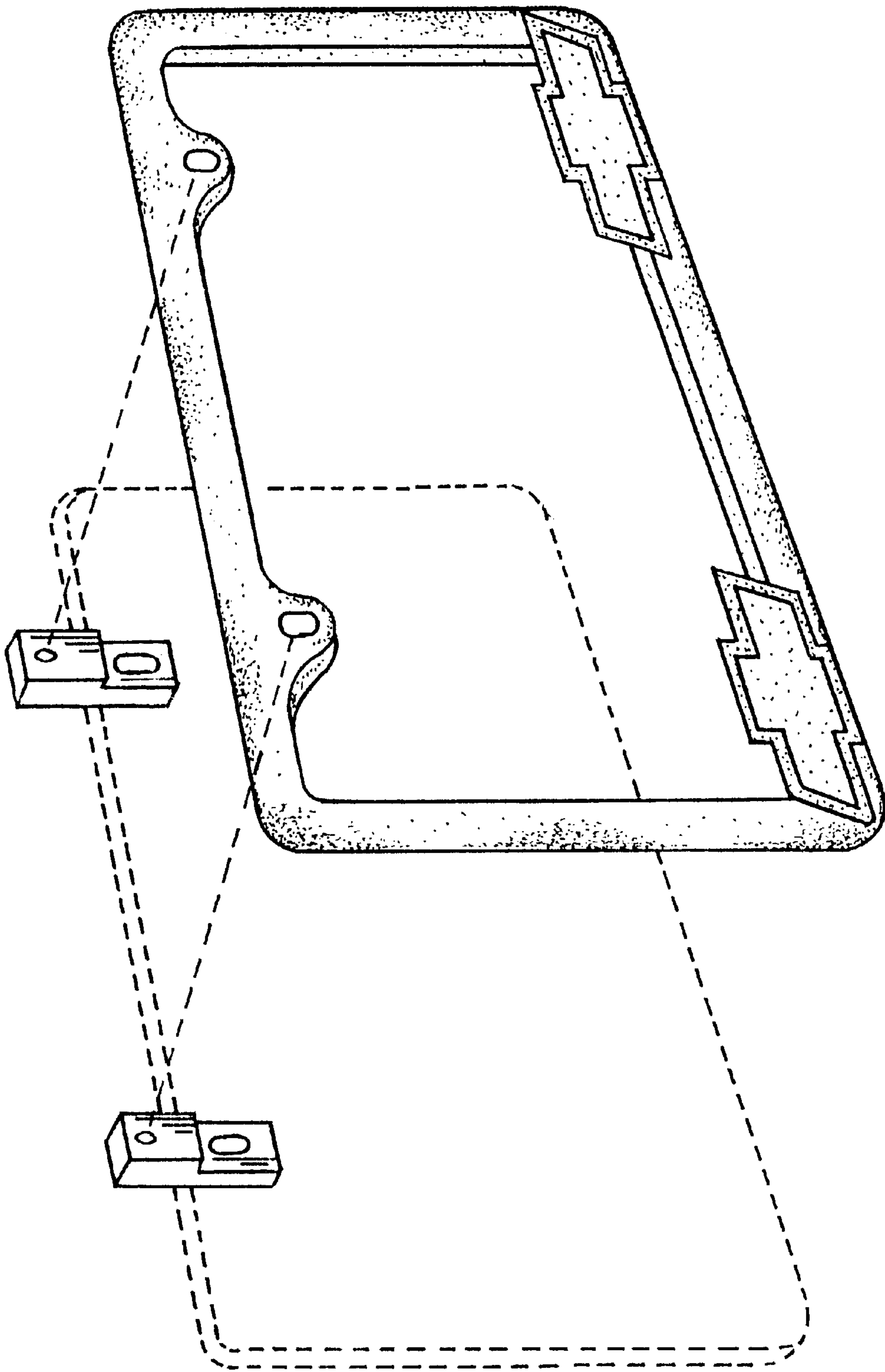


FIG. 11