



US00D460389S

(12) **United States Design Patent**
Wang

(10) **Patent No.:** **US D460,389 S**

(45) **Date of Patent:** **** Jul. 16, 2002**

(54) **WHEELCHAIR**

Primary Examiner—Marcus A. Jackson

(76) Inventor: **Chih Chiang Wang**, 7F., No. 213, Civil Boulevard, Sec. 4, Taipei (TW), 105

(57) **CLAIM**

(**) Term: **14 Years**

The ornamental design for a wheelchair, as shown and described.

(21) Appl. No.: **29/147,328**

DESCRIPTION

(22) Filed: **Aug. 22, 2001**

FIG. 1 is a front elevational view of a wheelchair showing my design;

(51) **LOC (7) Cl.** **12-12**

FIG. 2 is a left side view thereof;

(52) **U.S. Cl.** **D12/131**

FIG. 3 is a right side view thereof;

(58) **Field of Search** D12/128-133;
297/231, 428, 429, 438, 444; 280/250.1,
304.1

FIG. 4 is a bottom plane view thereof;

FIG. 5 is a top plane view thereof;

(56) **References Cited**

U.S. PATENT DOCUMENTS

FIG. 6 is a rear elevational view thereof; and,

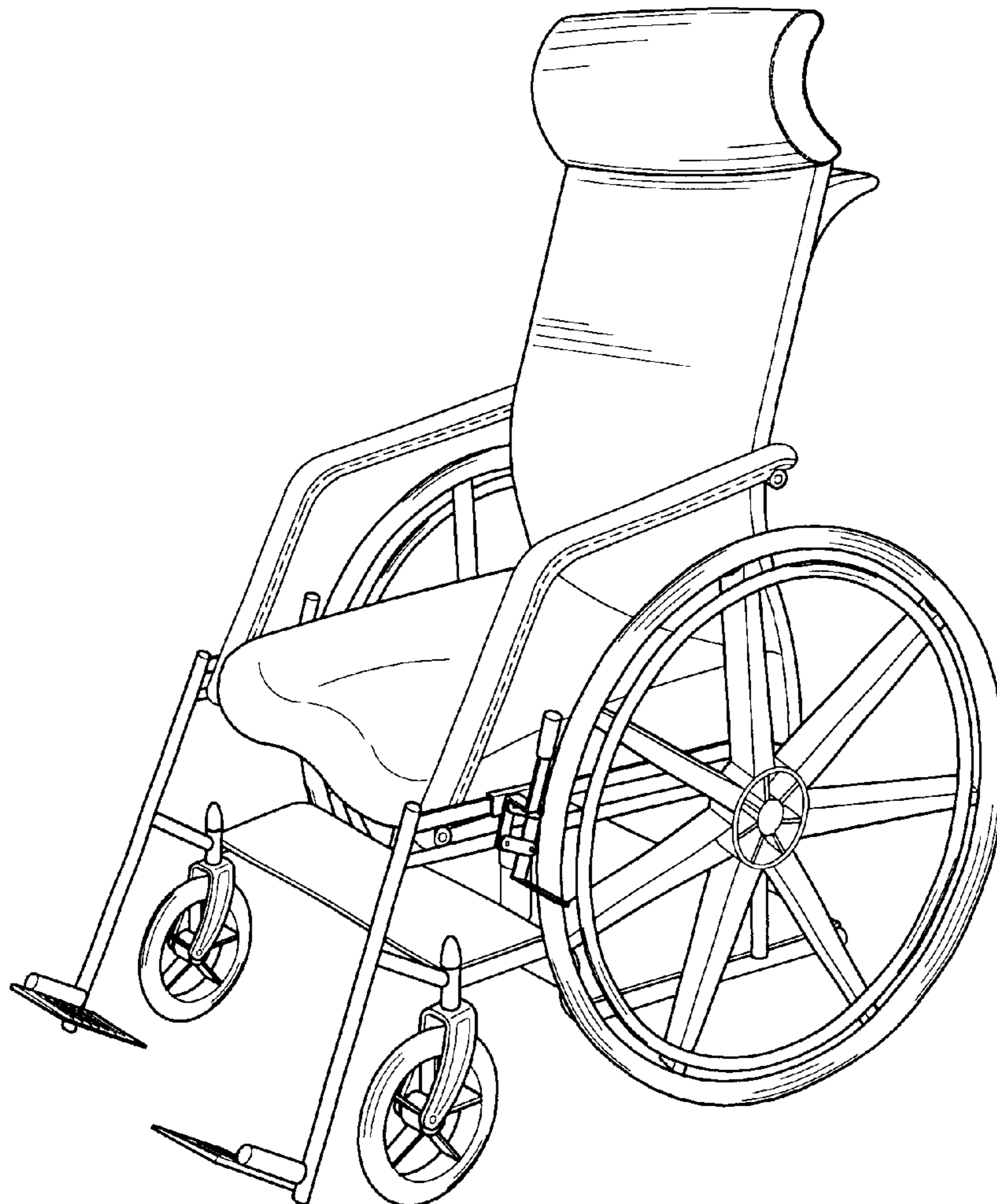
FIG. 7 is a perspective view thereof.

D444,105 S * 6/2001 Johansson et al. D12/131

D451,849 S * 12/2001 Noshi D12/131

* cited by examiner

1 Claim, 7 Drawing Sheets



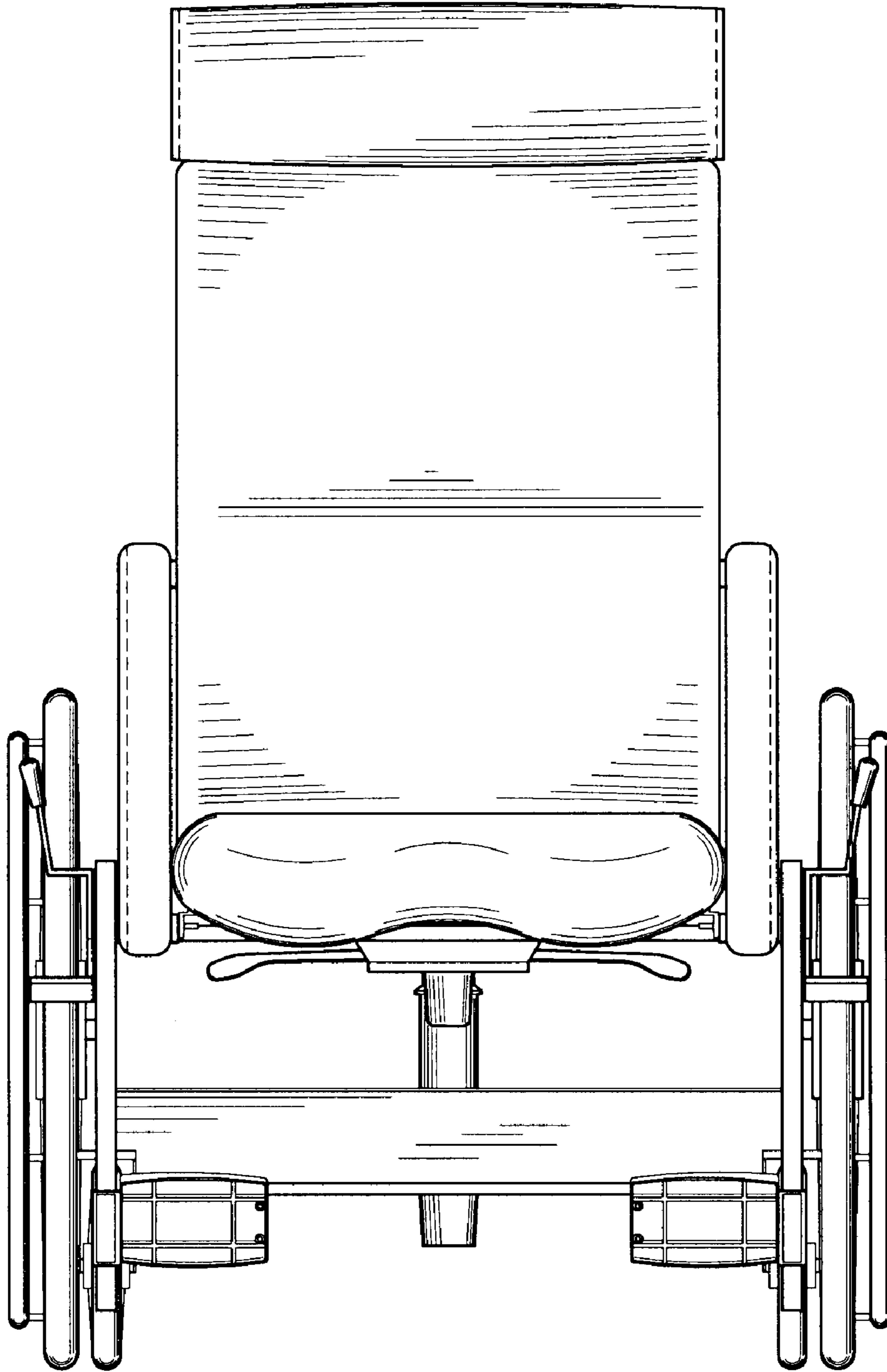


Fig. 1

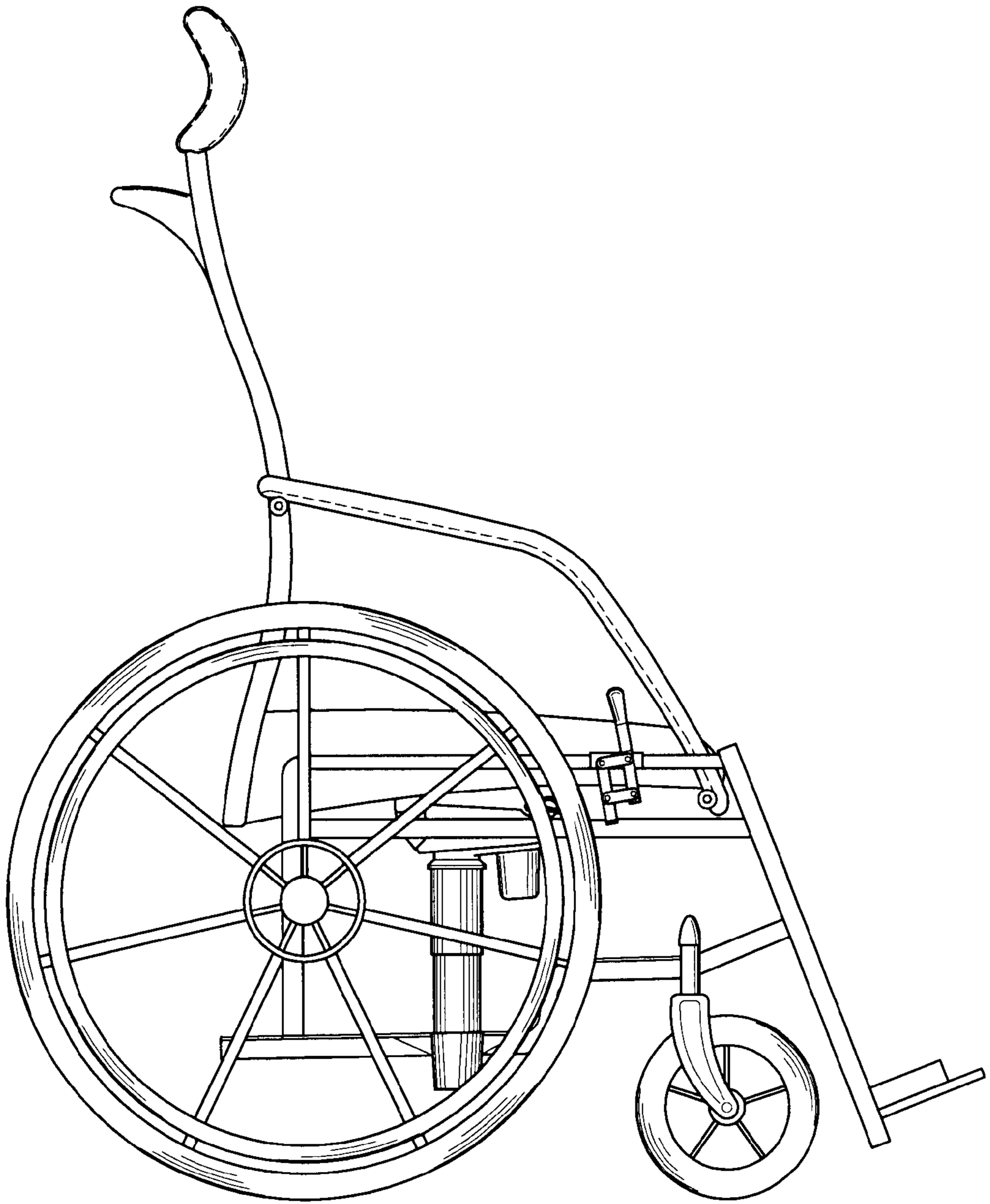


Fig.2

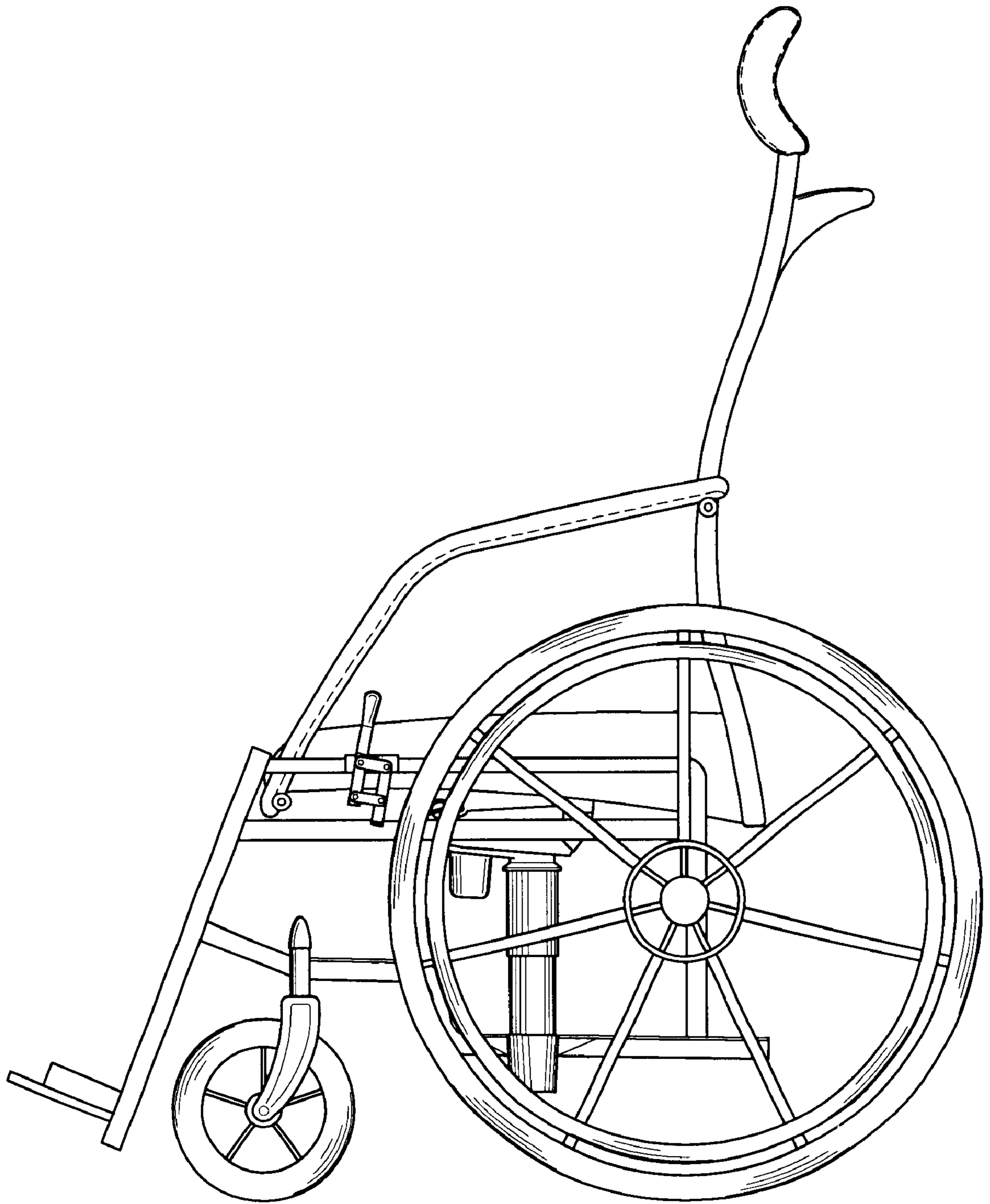


Fig.3

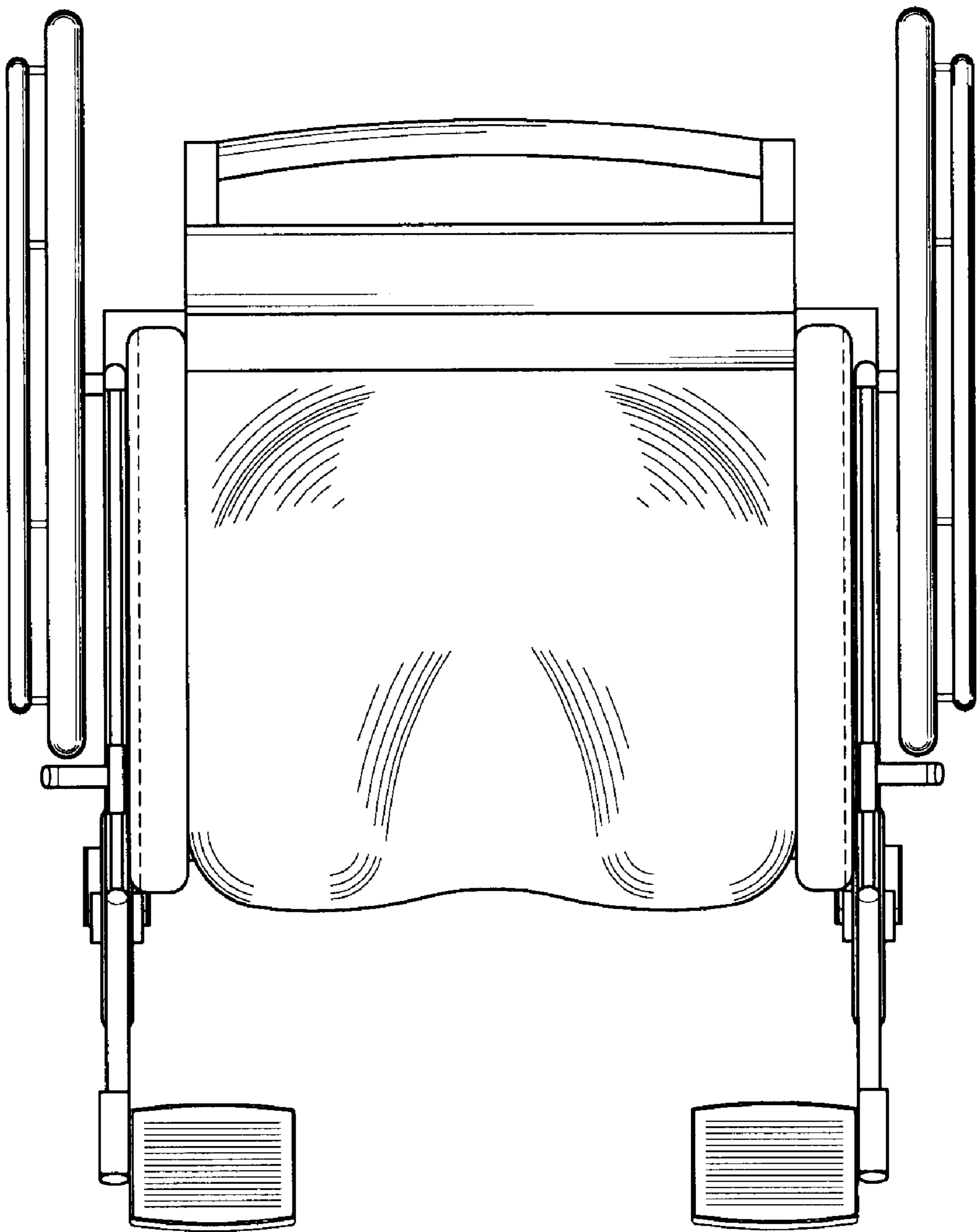


Fig.4

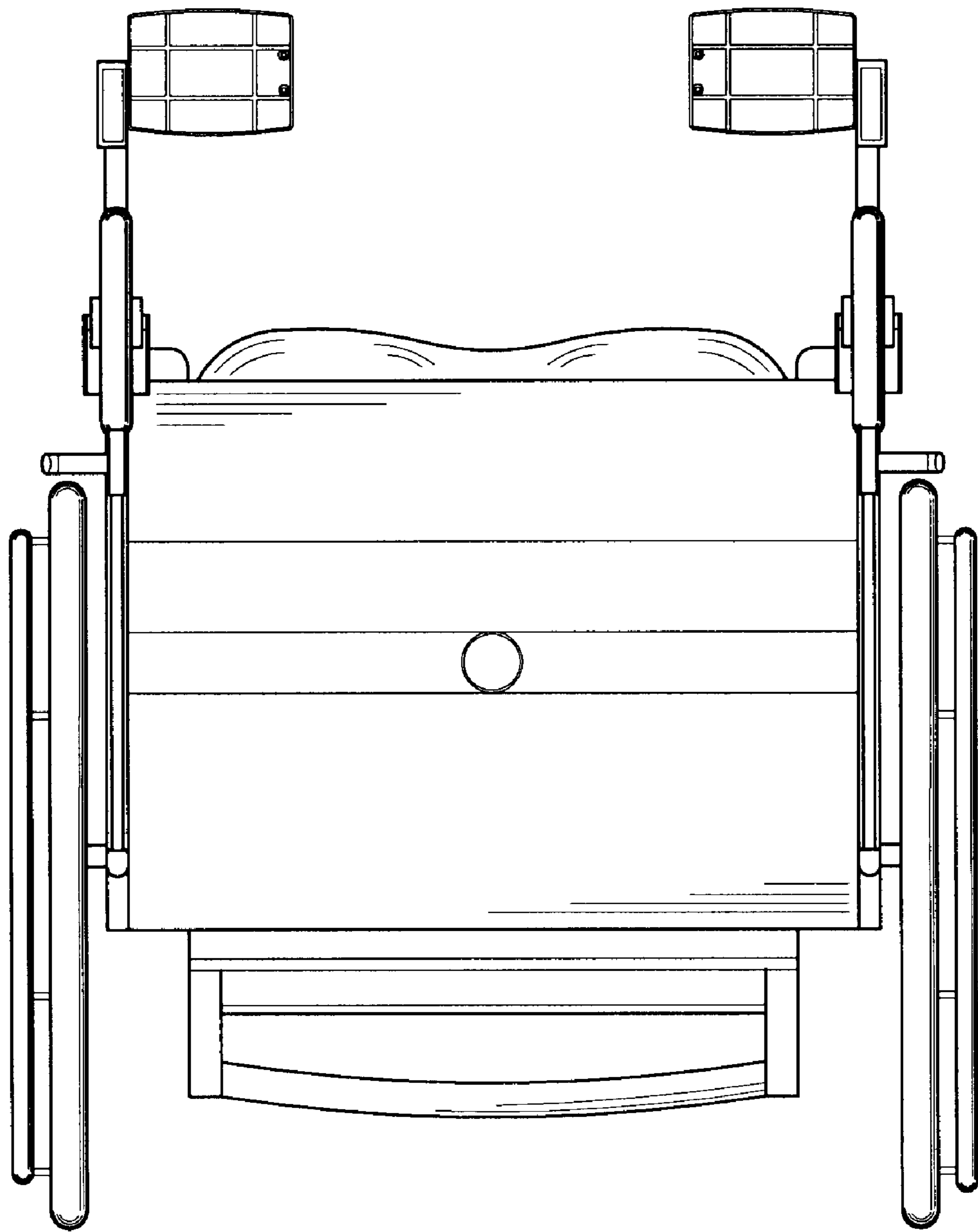


Fig. 5

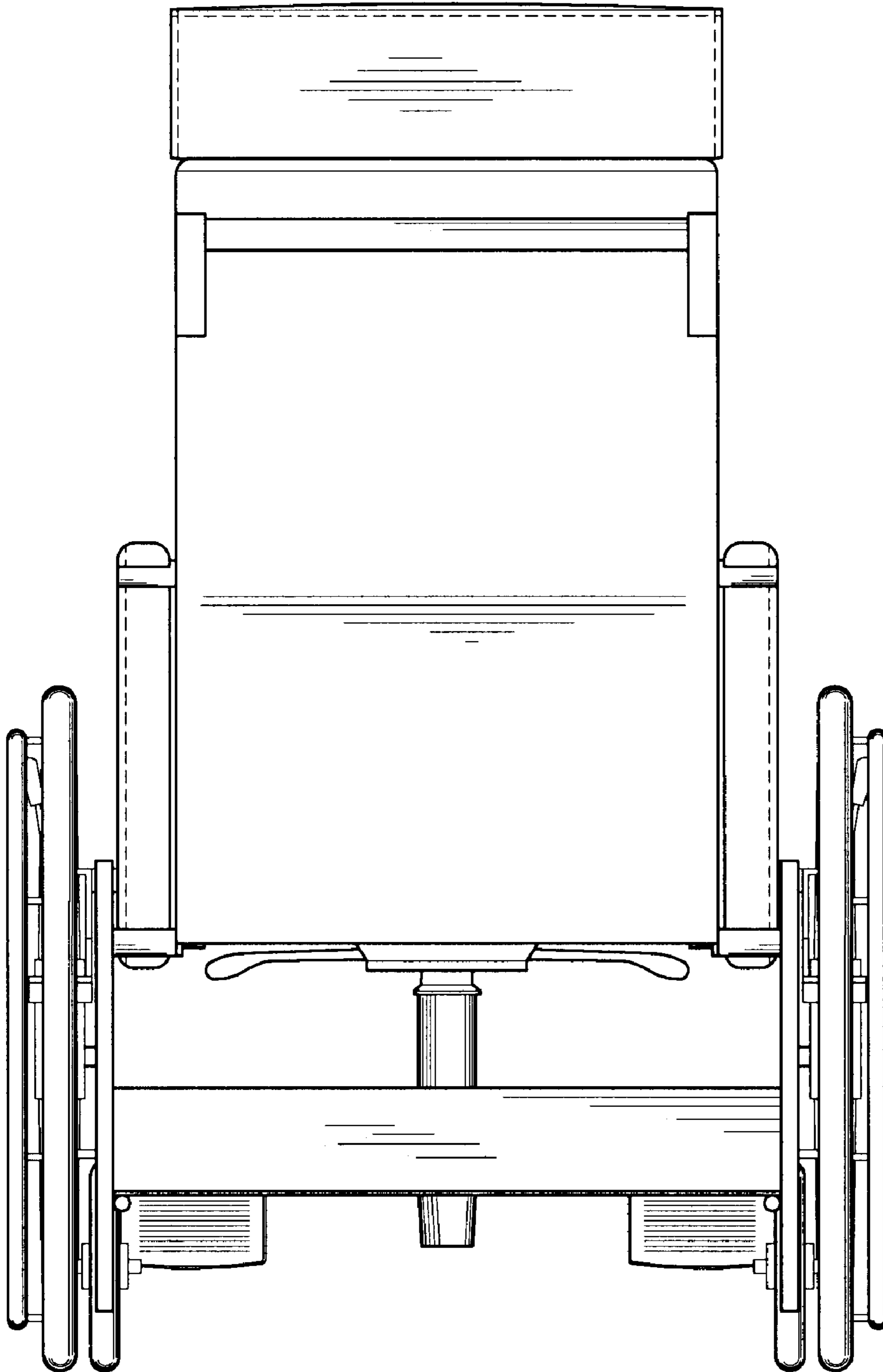


Fig.6

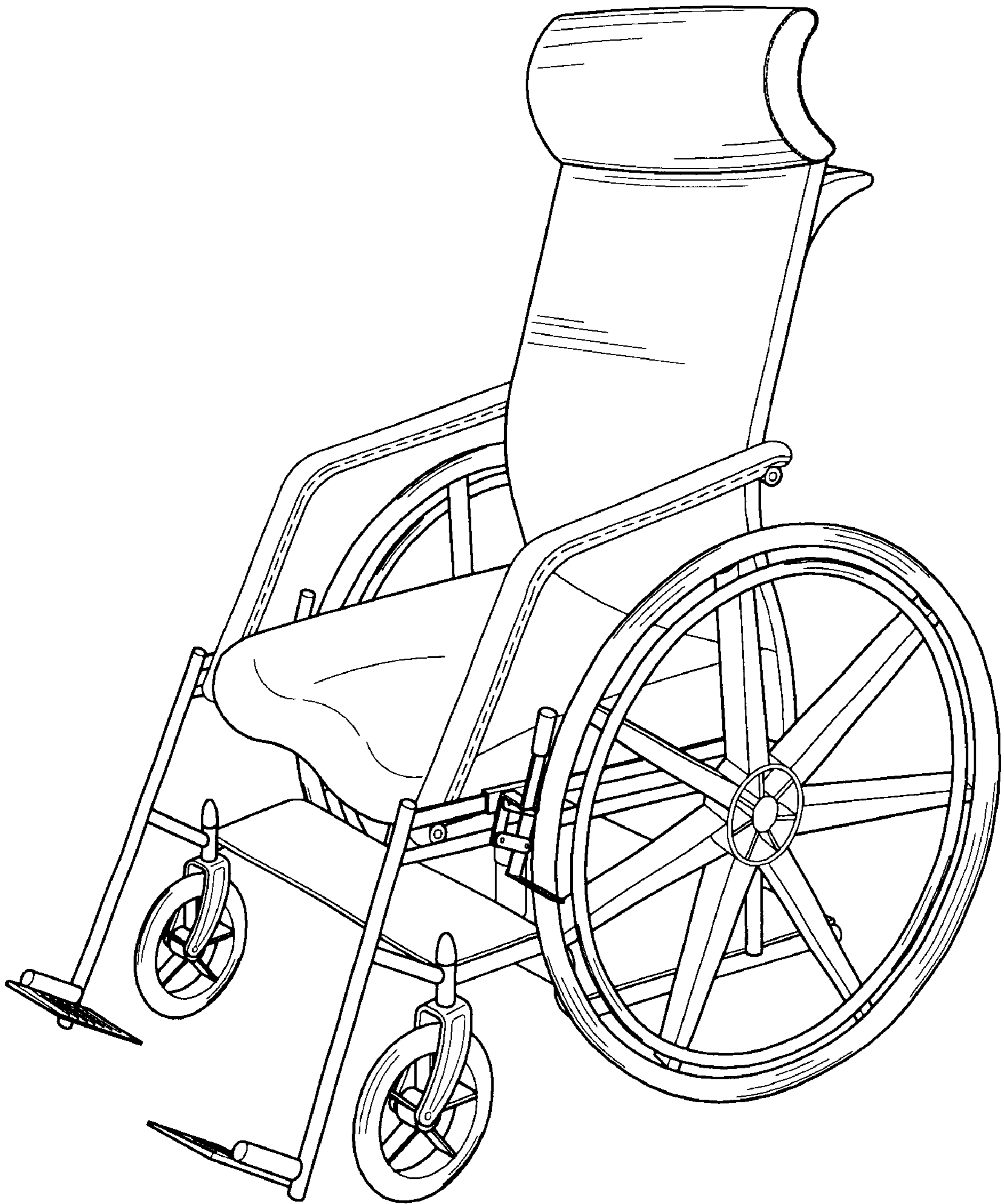


Fig.7