



US00D460371S

(12) **United States Design Patent**
Wrisley et al.

(10) **Patent No.:** **US D460,371 S**

(45) **Date of Patent:** **** Jul. 16, 2002**

(54) **MEASUREMENT INSTRUMENT**

(75) Inventors: **Jerry L. Wrisley**, Beaverton; **James H. McGrath, Jr.**, Aloha; **Kevin C. Ayers**, Beaverton; **Leif X. Running**, Portland, all of OR (US)

(73) Assignee: **Tektronix, Inc.**, Beaverton, OR (US)

(**) Term: **14 Years**

(21) Appl. No.: **29/152,692**

(22) Filed: **Dec. 20, 2001**

(51) **LOC (7) Cl.** **10-04**

(52) **U.S. Cl.** **D10/78**

(58) **Field of Search** D10/46, 75, 78, D10/81; D14/100; 73/431, 336.5; 128/630, 745, 746; 340/573.1-573.3, 601, 576, 521; 364/413.02-413.09; 324/158

(56) **References Cited**

U.S. PATENT DOCUMENTS

D332,833 S	*	1/1993	Lauks et al.	D10/78 X
D413,823 S		9/1999	Dobyns et al.	
D420,607 S		2/2000	Wrisley et al.	
6,111,501 A	*	8/2000	Honeyager et al.	340/521
6,112,593 A	*	9/2000	Aoki et al.	73/431

* cited by examiner

Primary Examiner—Antoine Duval Davis

(74) *Attorney, Agent, or Firm*—William K. Bucher

(57) **CLAIM**

The ornamental design of a measurement instrument, as shown and described.

DESCRIPTION

FIG. 1 is a perspective view of a measurement instrument; FIG. 2 is a front elevation view of the measurement instrument;

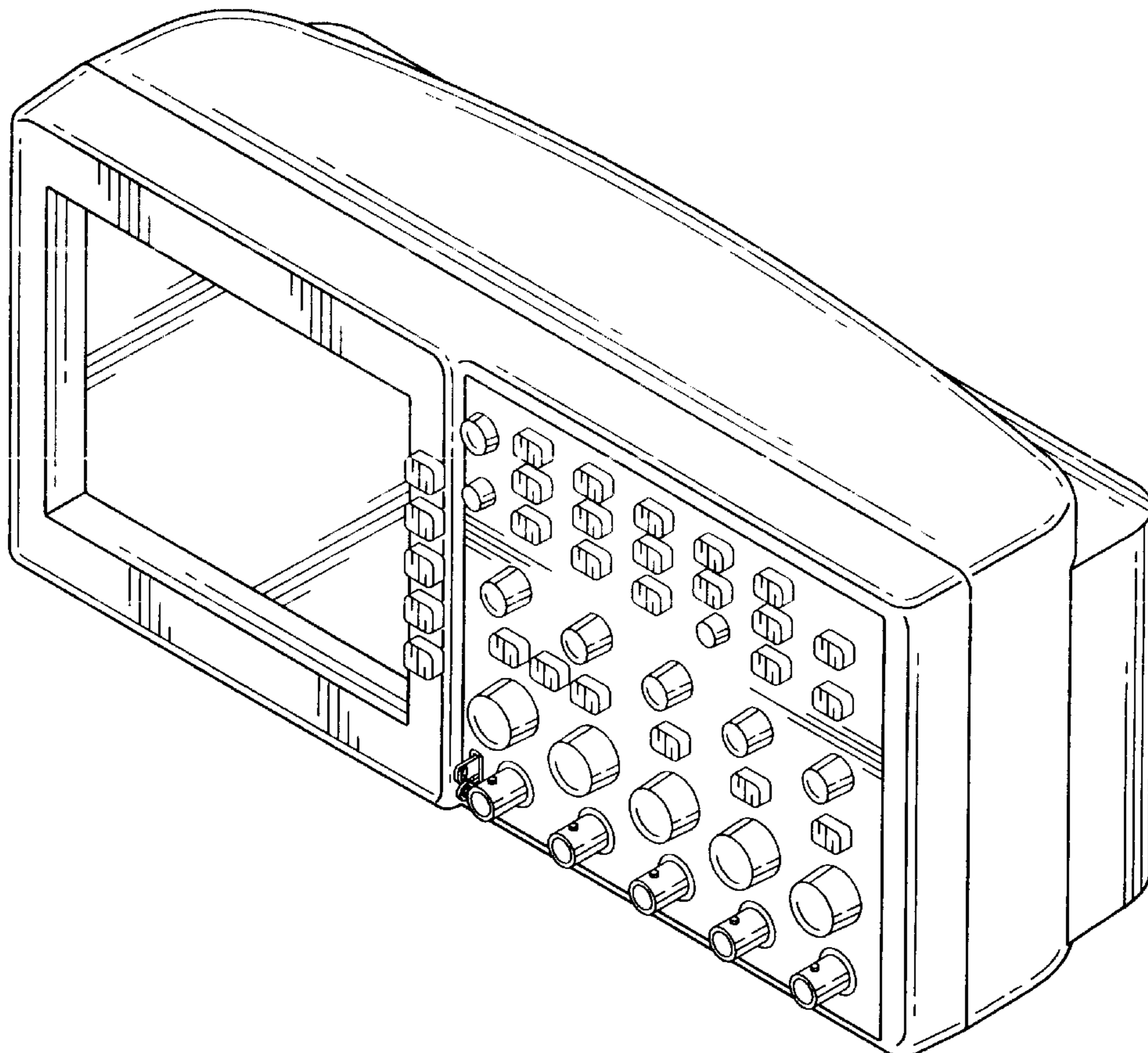
FIG. 3 is a top plan view of the measurement instrument; FIG. 4 is a bottom plan view of the measurement instrument; FIG. 5 is a left side elevation view of the measurement instrument;

FIG. 6 is a right side elevation view of the measurement instrument; and,

FIG. 7 is a rear elevation view of the measurement instrument.

The ornamental design disclosed in this application is for a measurement instrument having a front panel with a display and control buttons and knobs and a rectangular protrusion extending from a portion of a curved rear surface.

1 Claim, 6 Drawing Sheets



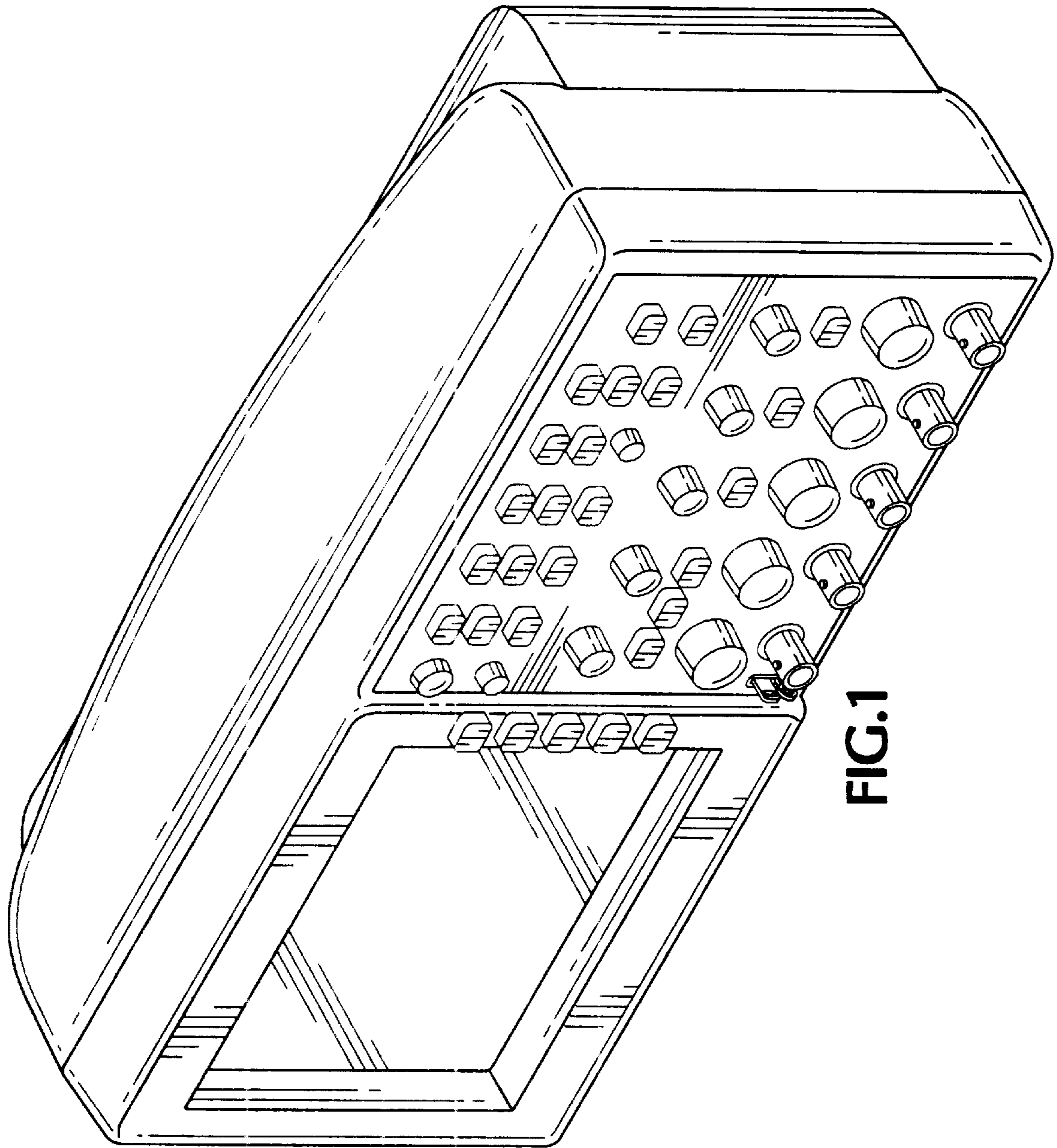


FIG. 1

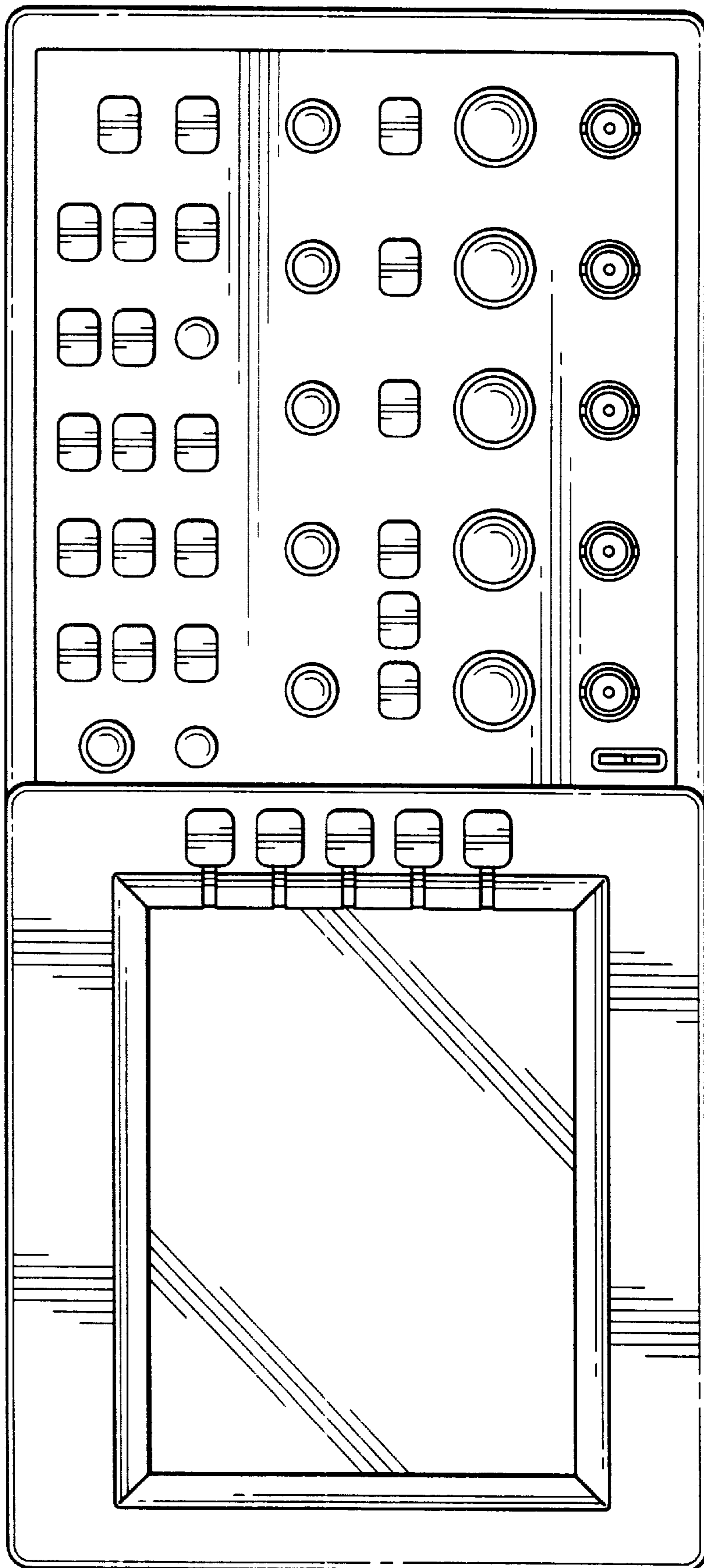


FIG.2

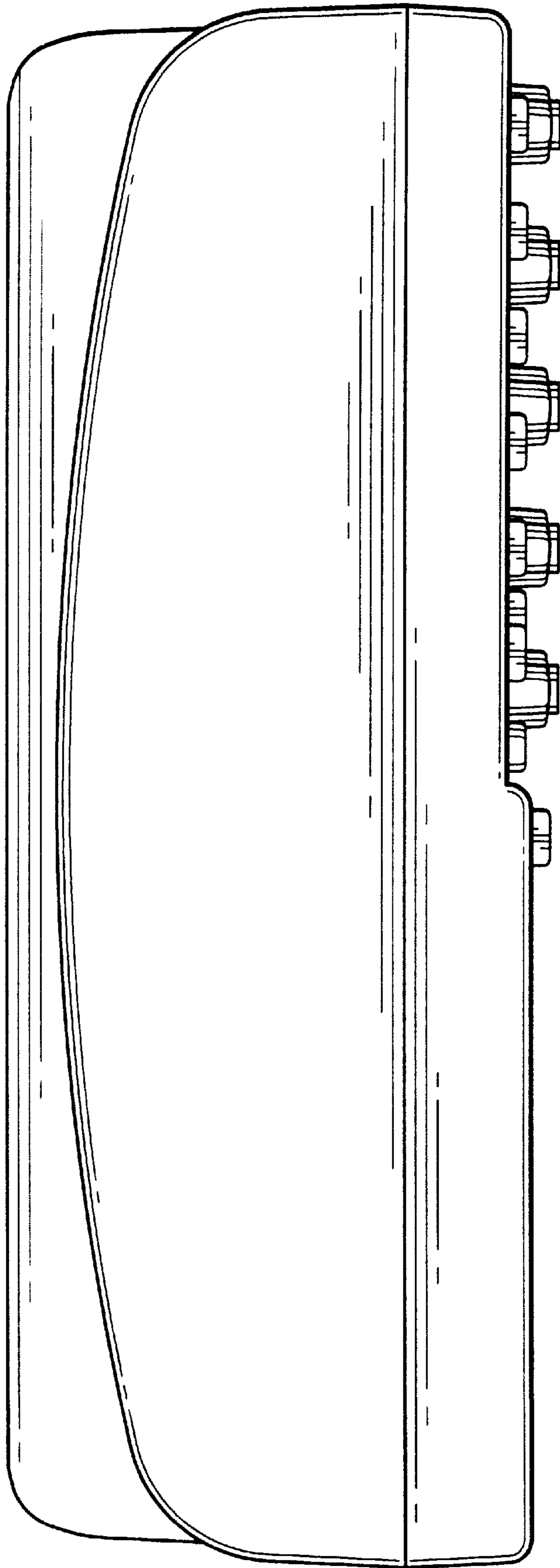


FIG.3

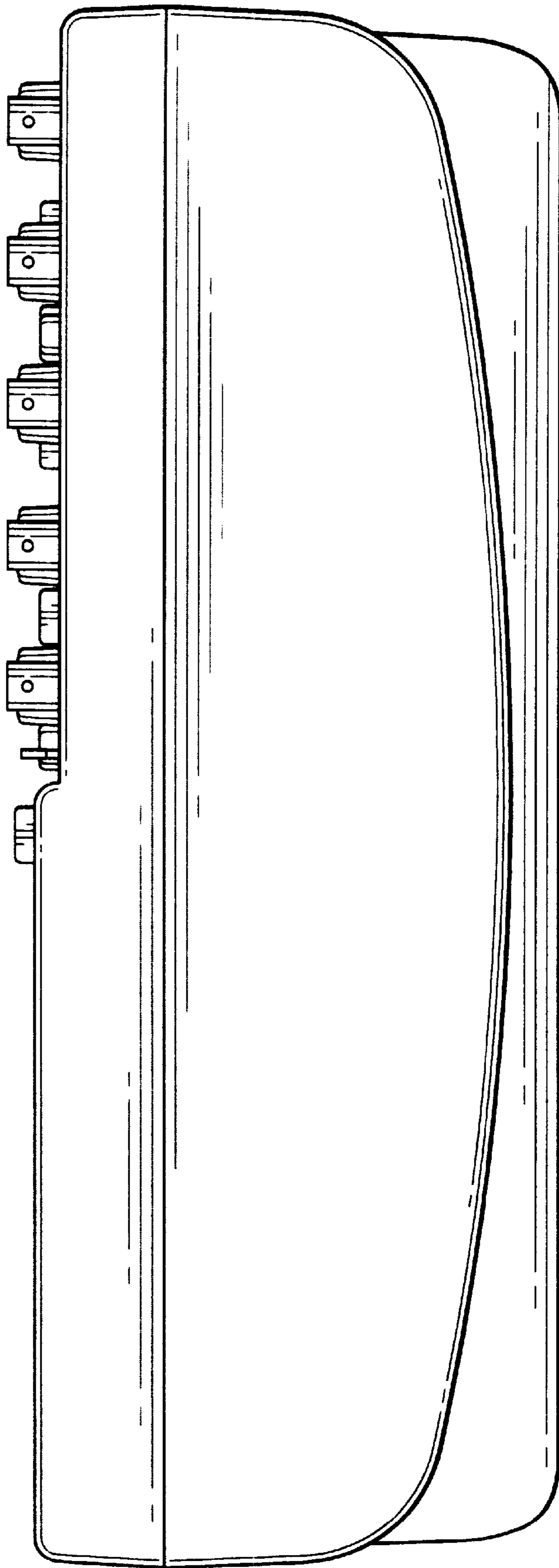


FIG.4

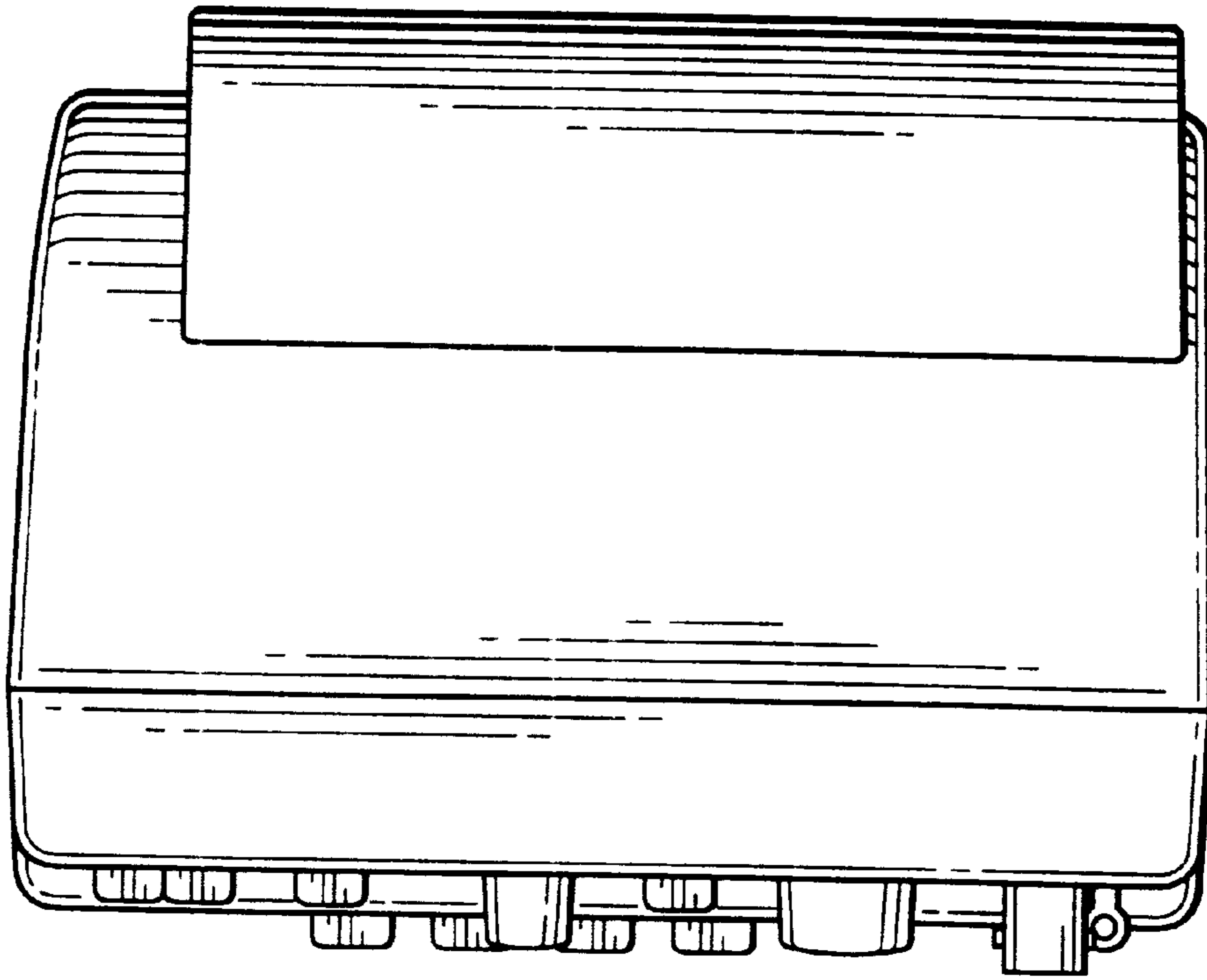


FIG. 6

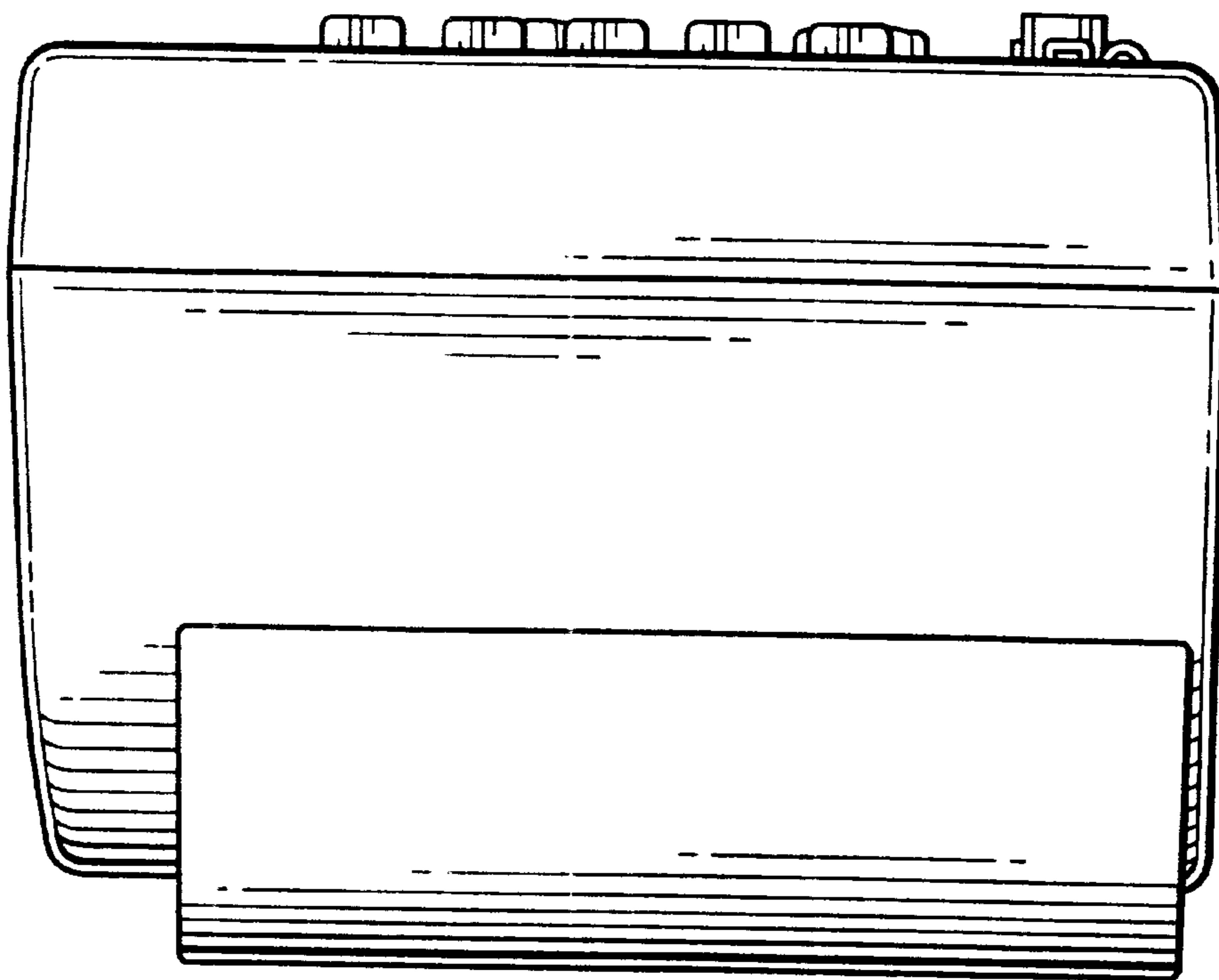


FIG. 5

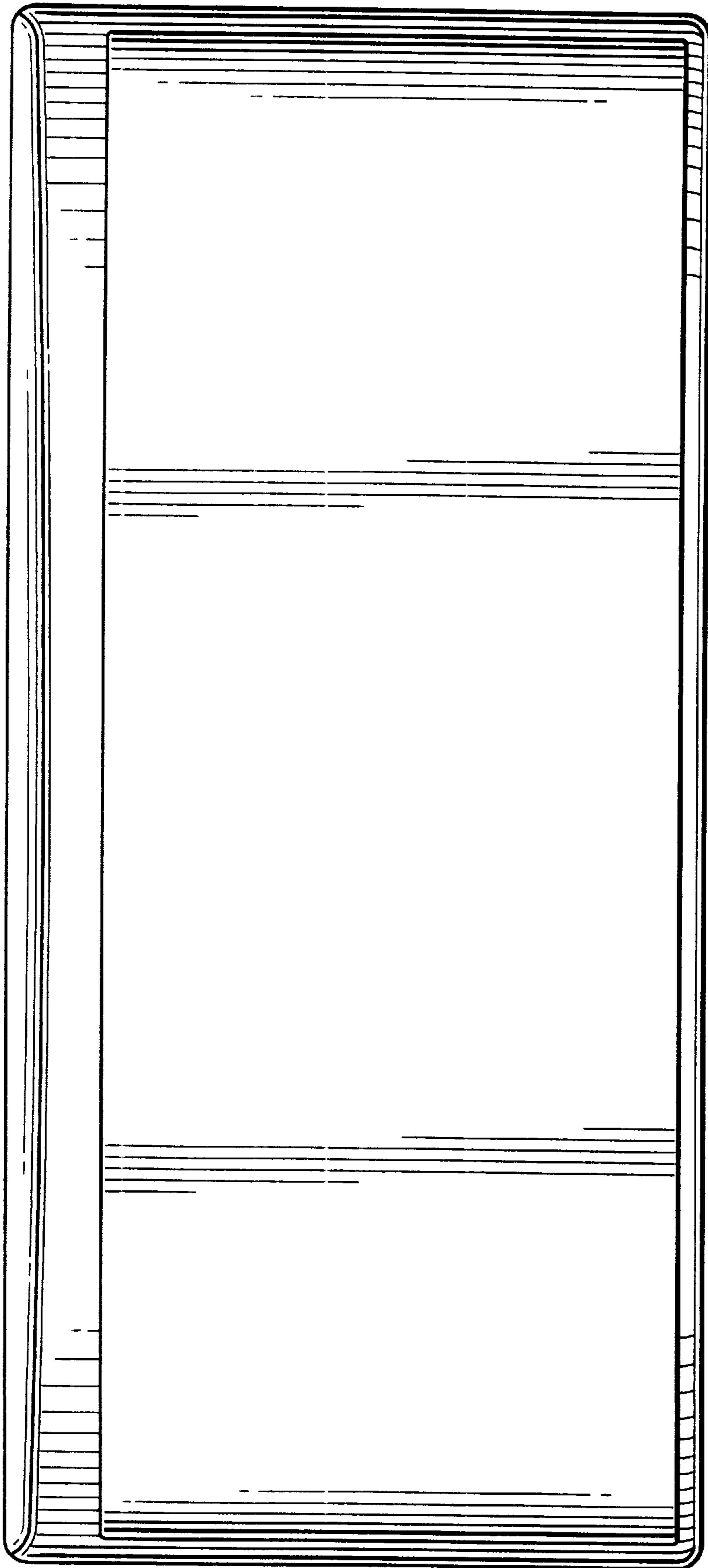


FIG.7