



US00D460370S

(12) **United States Design Patent**
Price et al.

(10) **Patent No.:** **US D460,370 S**
(45) **Date of Patent:** **** Jul. 16, 2002**

(54) **PORTABLE ANALYZATION DEVICE**

(75) Inventors: **L. Stephen Price; Tren Cramer**, both of Richland; **Therese Howe**, Kennewick; **Robert D. Kuhlman; Sergei Flippychev**, both of Richland; **Rob Burton**, Kennewick, all of WA (US)

(73) Assignee: **KeyMaster Technologies, Inc.**, Kennewick, WA (US)

(**) Term: **14 Years**

(21) Appl. No.: **29/144,321**

(22) Filed: **Jun. 30, 2001**

(51) **LOC (7) Cl.** **10-04**

(52) **U.S. Cl.** **D10/78**

(58) **Field of Search** D10/78; 250/369, 250/370.06; 356/456; 378/45, 210

(56)

References Cited

U.S. PATENT DOCUMENTS

D338,417 S * 8/1993 Van Aken et al. D10/78

* cited by examiner

Primary Examiner—Antoine Duval Davis

(74) *Attorney, Agent, or Firm*—Rader, Fishman & Grauer; Kenneth E. Horton

(57)

CLAIM

The ornamental design for a portable analyzation device, as shown and described.

DESCRIPTION

FIG. 1 is a perspective view of a portable analyzation device showing a preferred embodiment of our design, which preferred embodiment is also shown in FIGS. 2-7;

FIG. 2 is a top view;

FIG. 3 is a bottom view;

FIG. 4 is a front view;

FIG. 5 is a side view;

FIG. 6 is another side view; and,

FIG. 7 is a rear view.

1 Claim, 7 Drawing Sheets

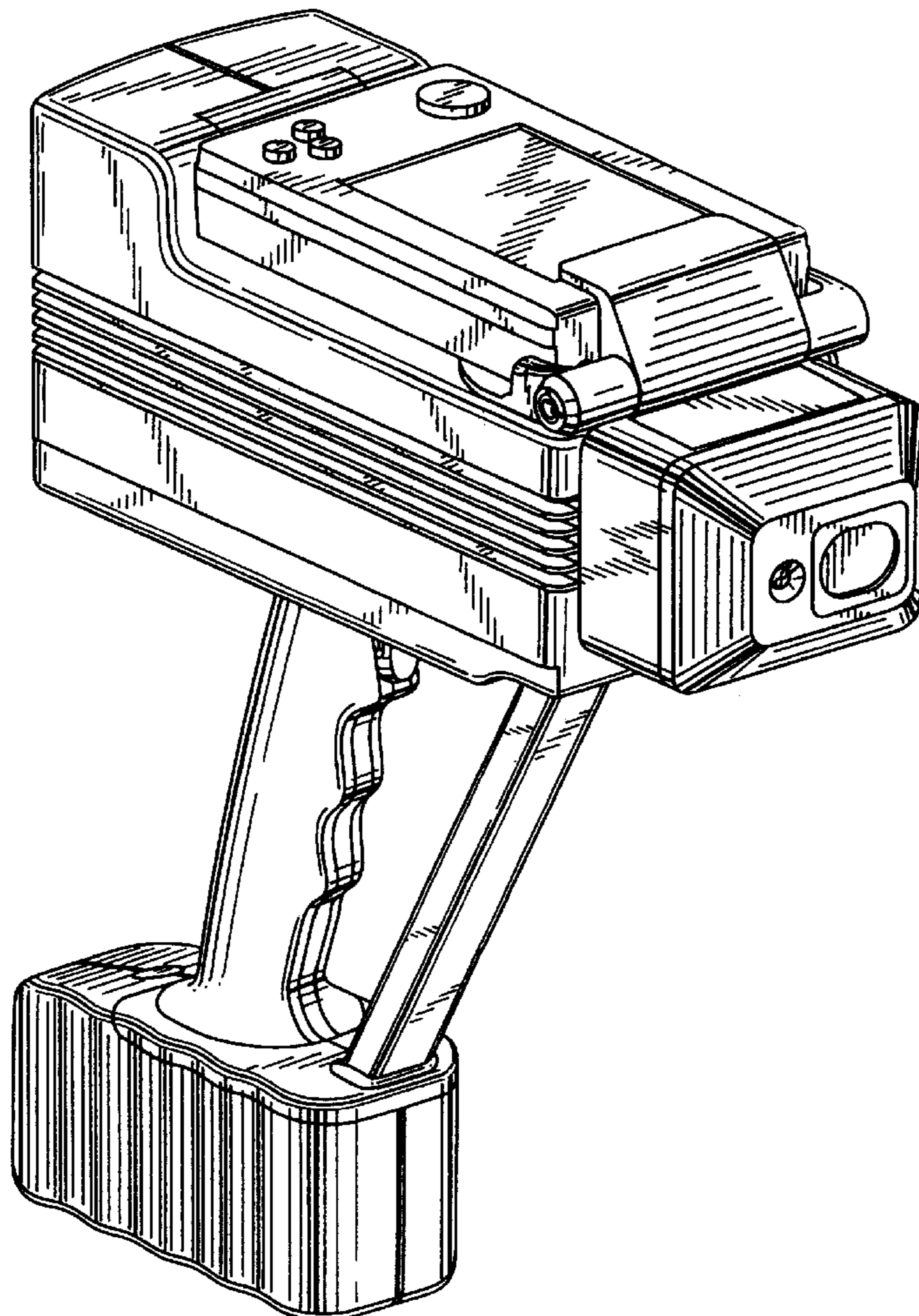


FIG. 1

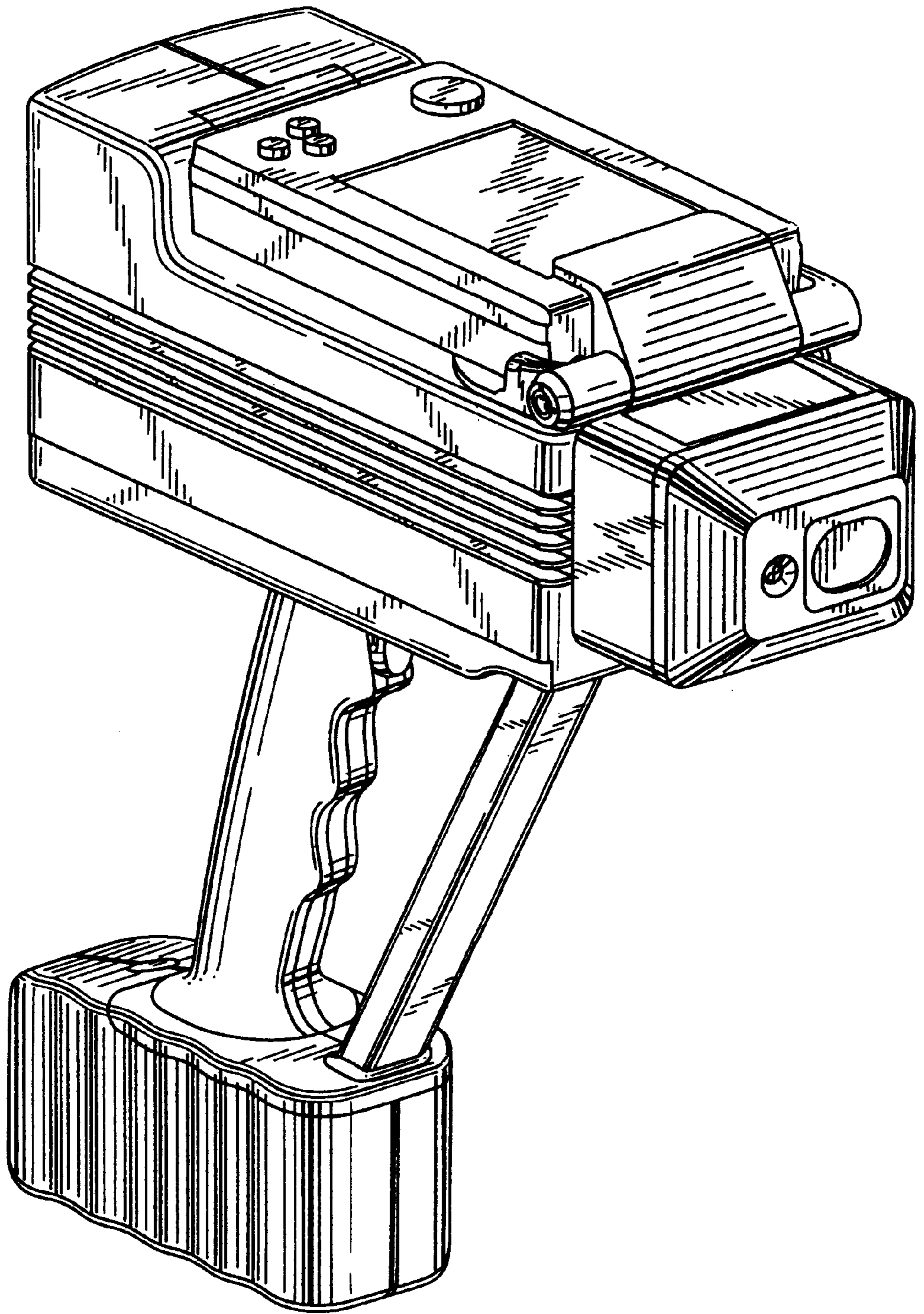


FIG. 2

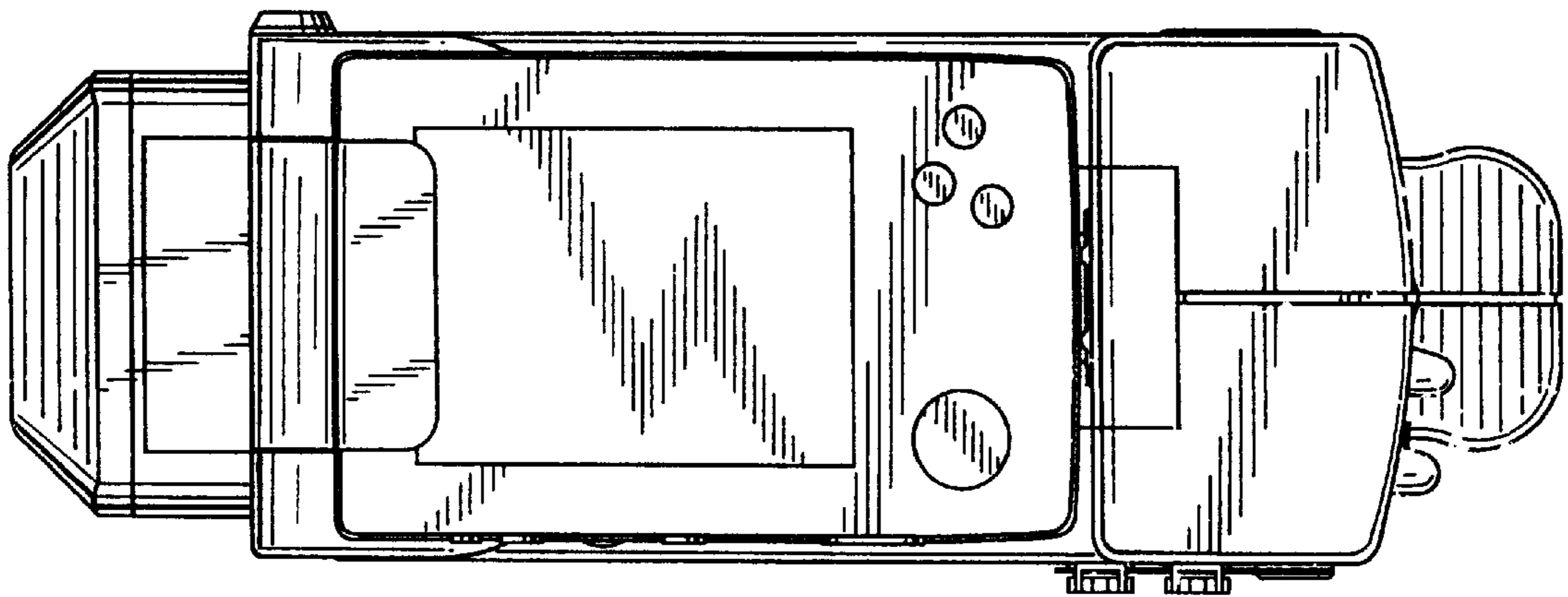


FIG. 3

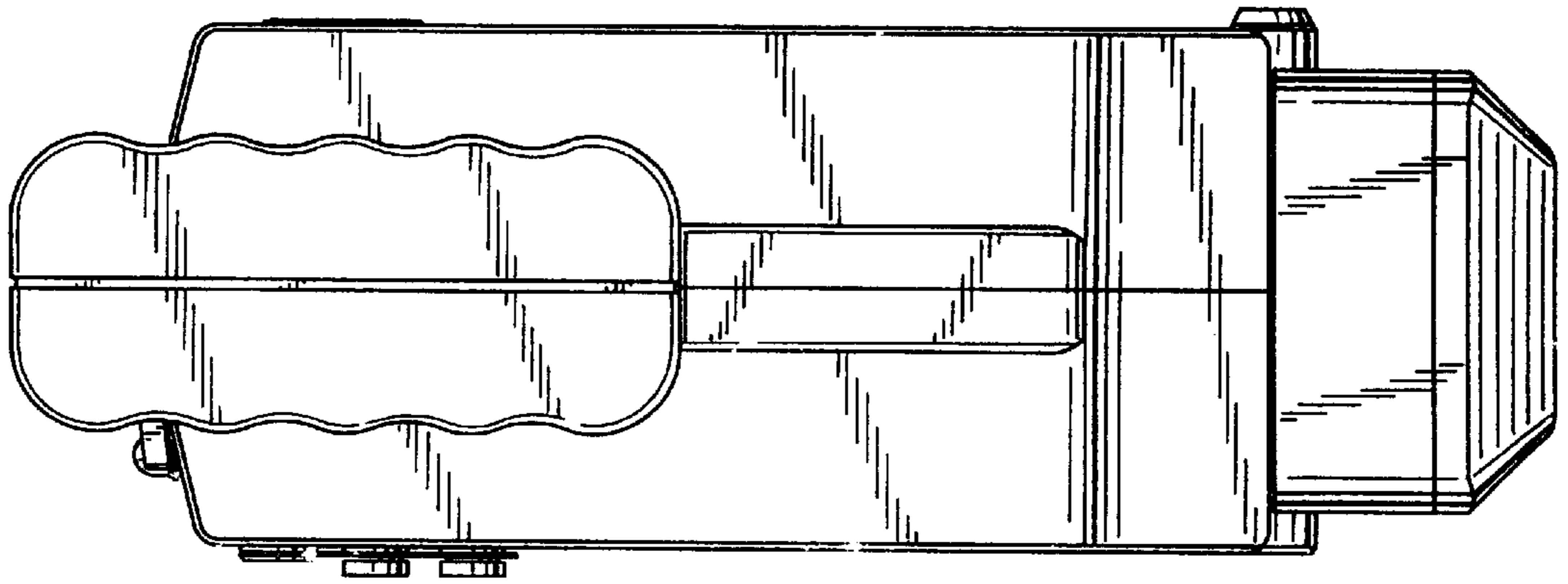


FIG. 4

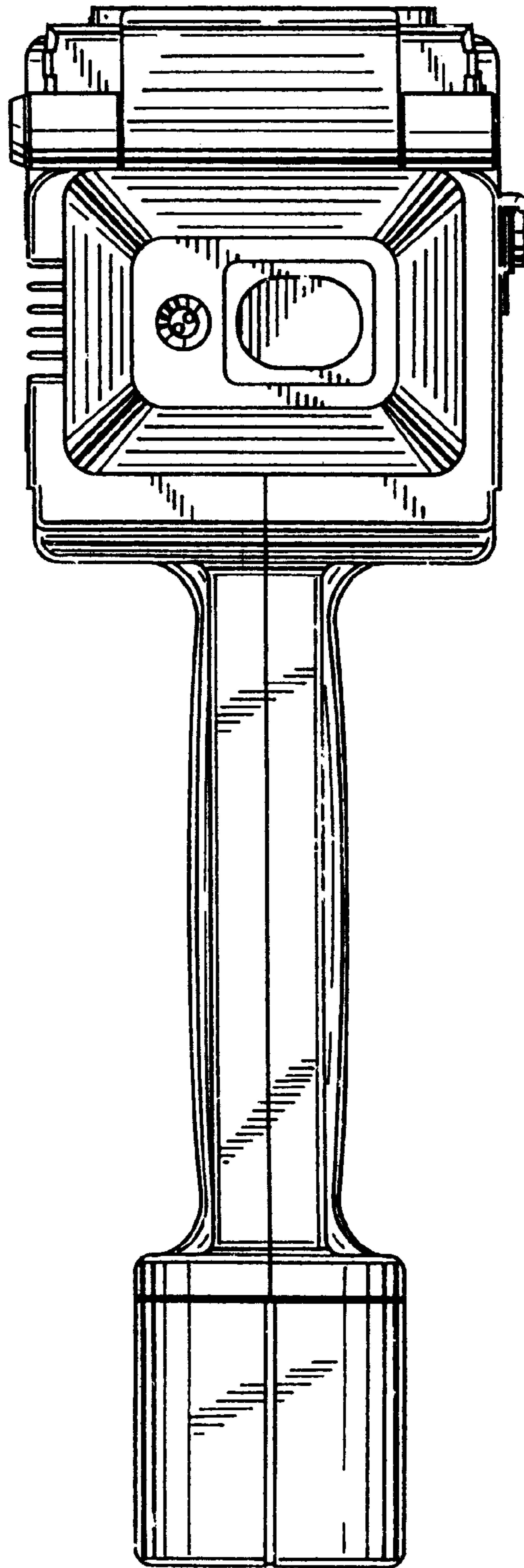


FIG. 5

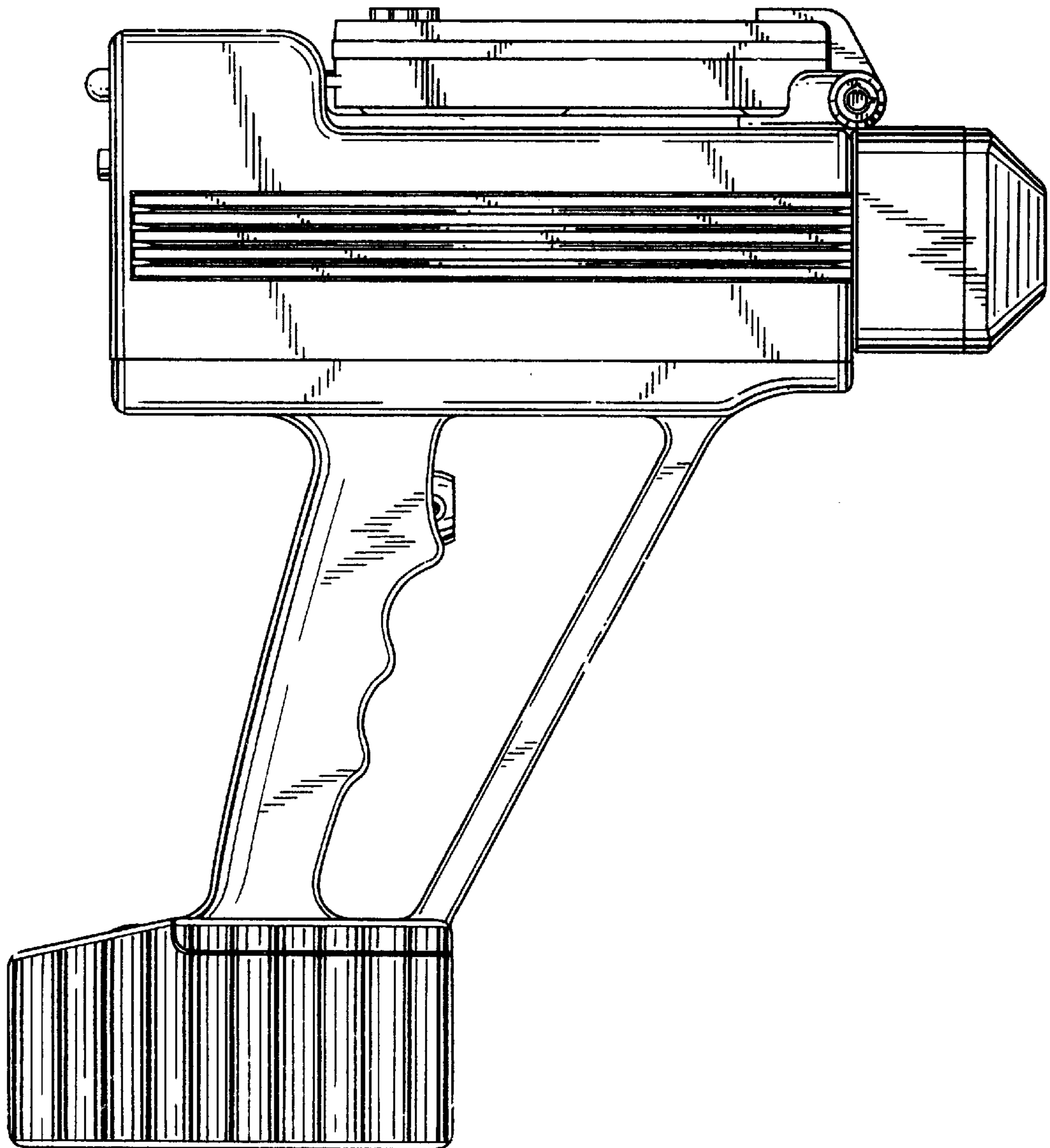


FIG. 6

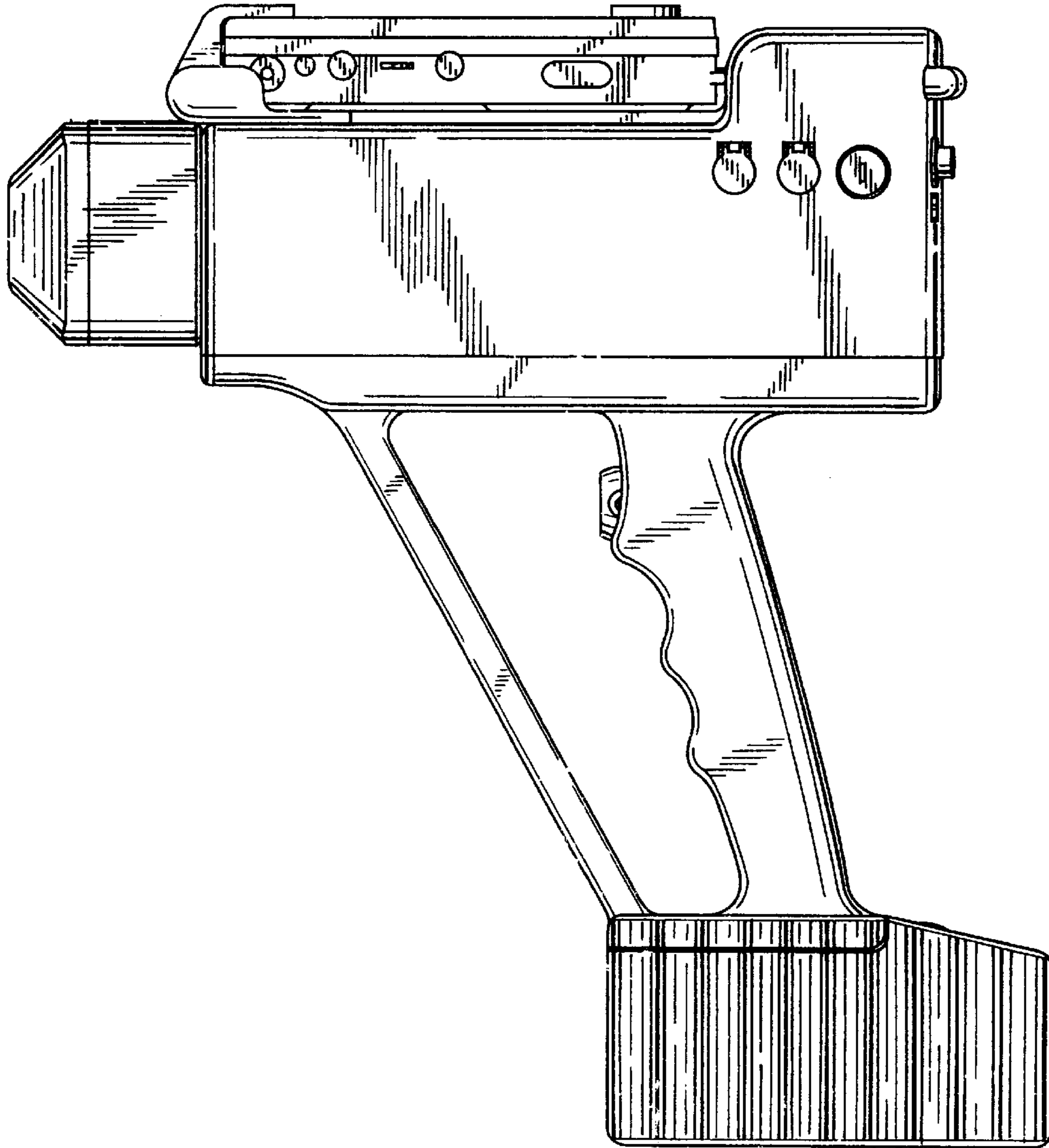


FIG. 7

