

US00D460367S

(12) **United States Design Patent**
Apothéloz et al.

(10) **Patent No.:** **US D460,367 S**

(45) **Date of Patent:** **** Jul. 16, 2002**

(54) **CASING OF A DEVICE FOR THE MEASUREMENT OF DISTANCES**

D425,803 S * 5/2000 Luebke et al. D10/70

OTHER PUBLICATIONS

(75) Inventors: **Christophe Apothéloz**, Gockhausen;
Franz Sprenger, Widnau, both of (CH)

One page from a Japanese publication entitled *M & E*, Feb. 2000.

(73) Assignee: **Leica Geosystems AG**, Heerbrugg (CH)

* cited by examiner

(**) Term: **14 Years**

Primary Examiner—Antoine Duval Davis

(21) Appl. No.: **29/139,240**

(74) *Attorney, Agent, or Firm*—Birch, Stewart, Kolasch & Birch, LLP

(22) Filed: **Mar. 28, 2001**

(57) **CLAIM**

(30) **Foreign Application Priority Data**

The ornamental design for a casing of a device for the measurement of distances, as shown and described.

Sep. 28, 2000 (XH) DM/053 958

DESCRIPTION

(51) **LOC (7) Cl.** **10-04**

FIG. 1 is an oblique view from the top, left, front of the casing of a device for the measurement of distances showing our new design;

(52) **U.S. Cl.** **D10/70**

FIG. 2 is an oblique view from the top, left, rear thereof;

(58) **Field of Search** D10/70; 33/261, 33/285, 286, 700-719; 356/4.01, 4.05, 5.07, 5.09, 5.12, 5.15, 28.5, 138, 139.03, 141.3, 142; 702/5, 150, 158, 208

FIG. 3 is a top view thereof;

FIG. 4 is a right side view thereof;

FIG. 5 is a left side view thereof;

FIG. 6 is a rear view thereof;

FIG. 7 is a front view thereof; and,

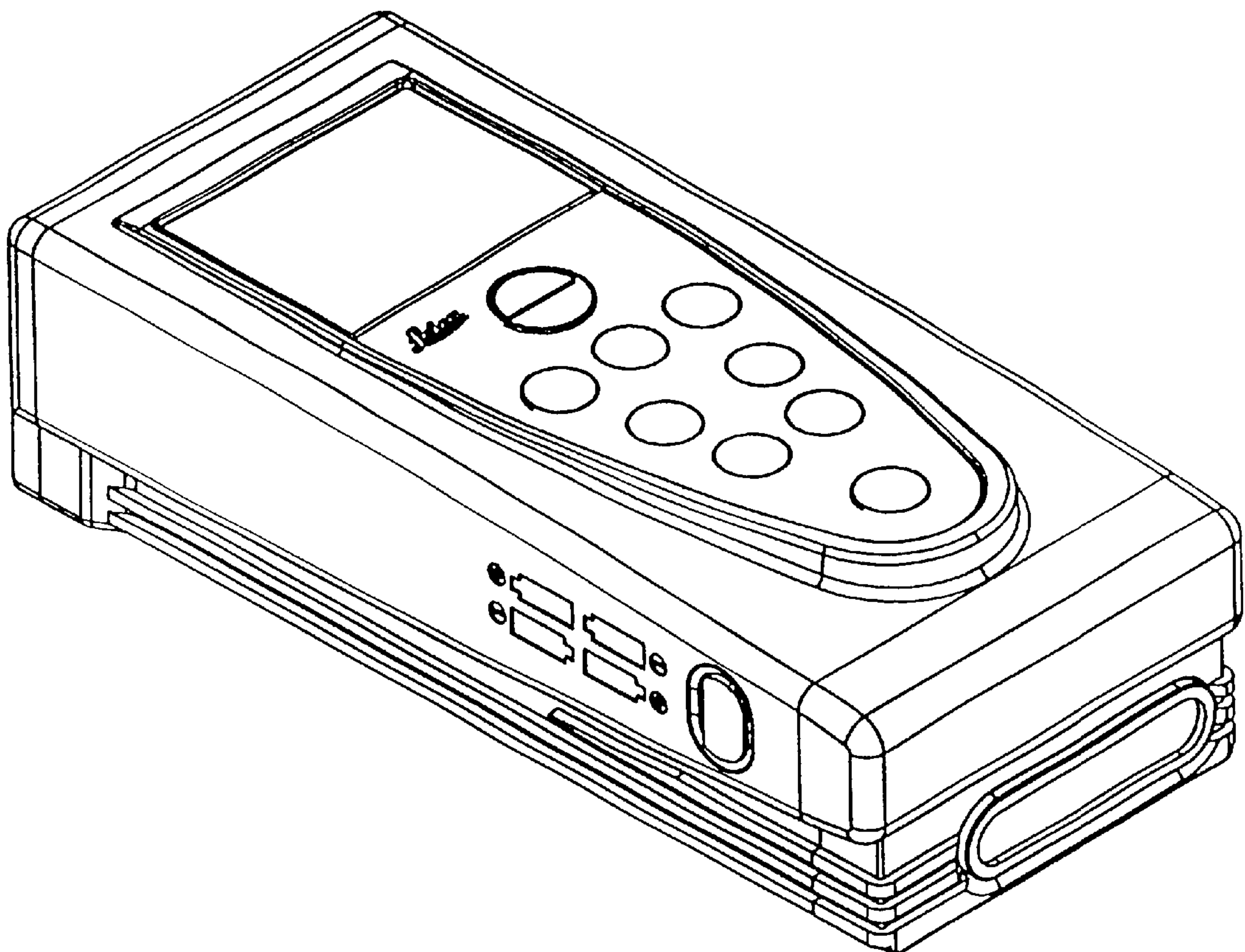
FIG. 8 is a bottom view thereof.

(56) **References Cited**

U.S. PATENT DOCUMENTS

5,949,529 A * 9/1999 Dunne et al. 356/4.01

1 Claim, 4 Drawing Sheets



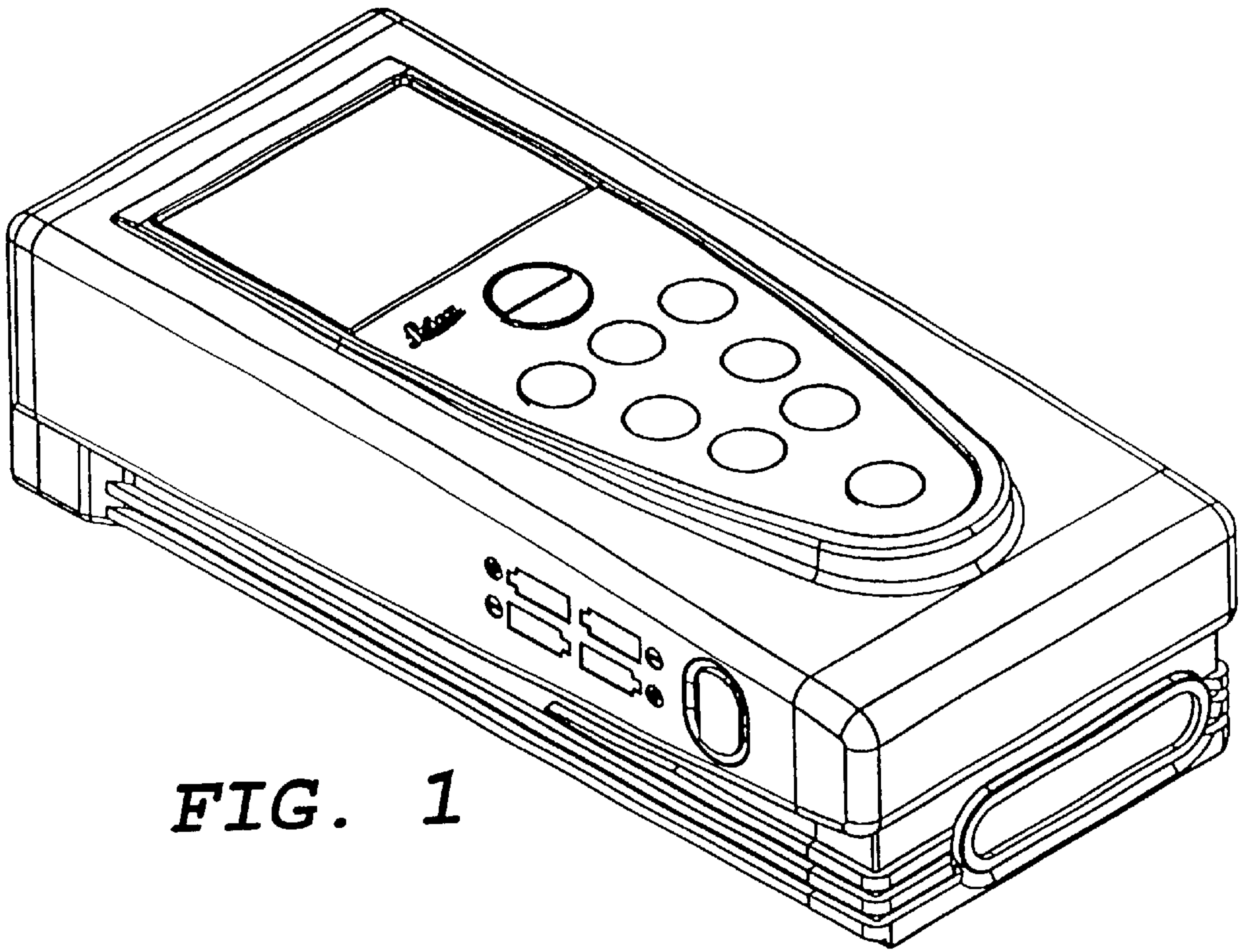


FIG. 1

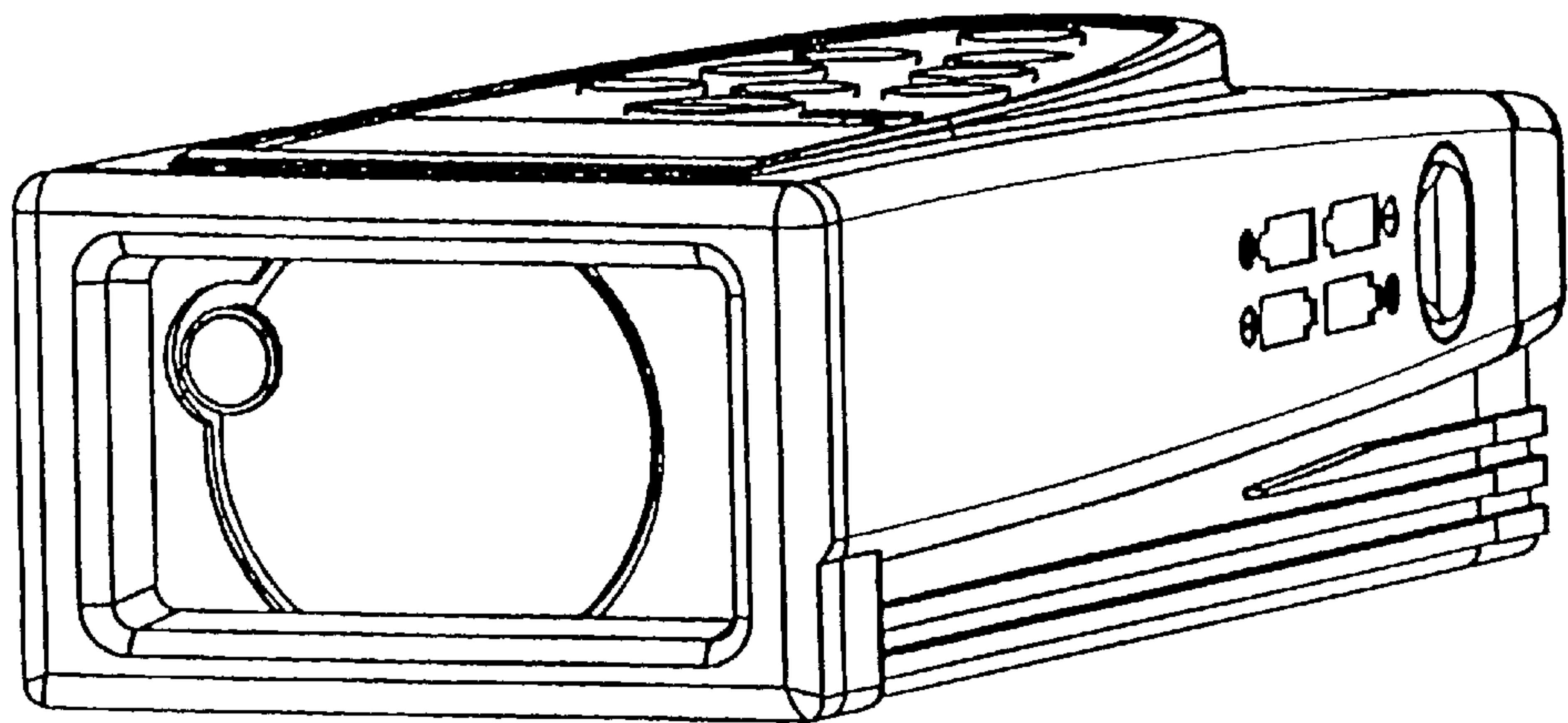


FIG. 2

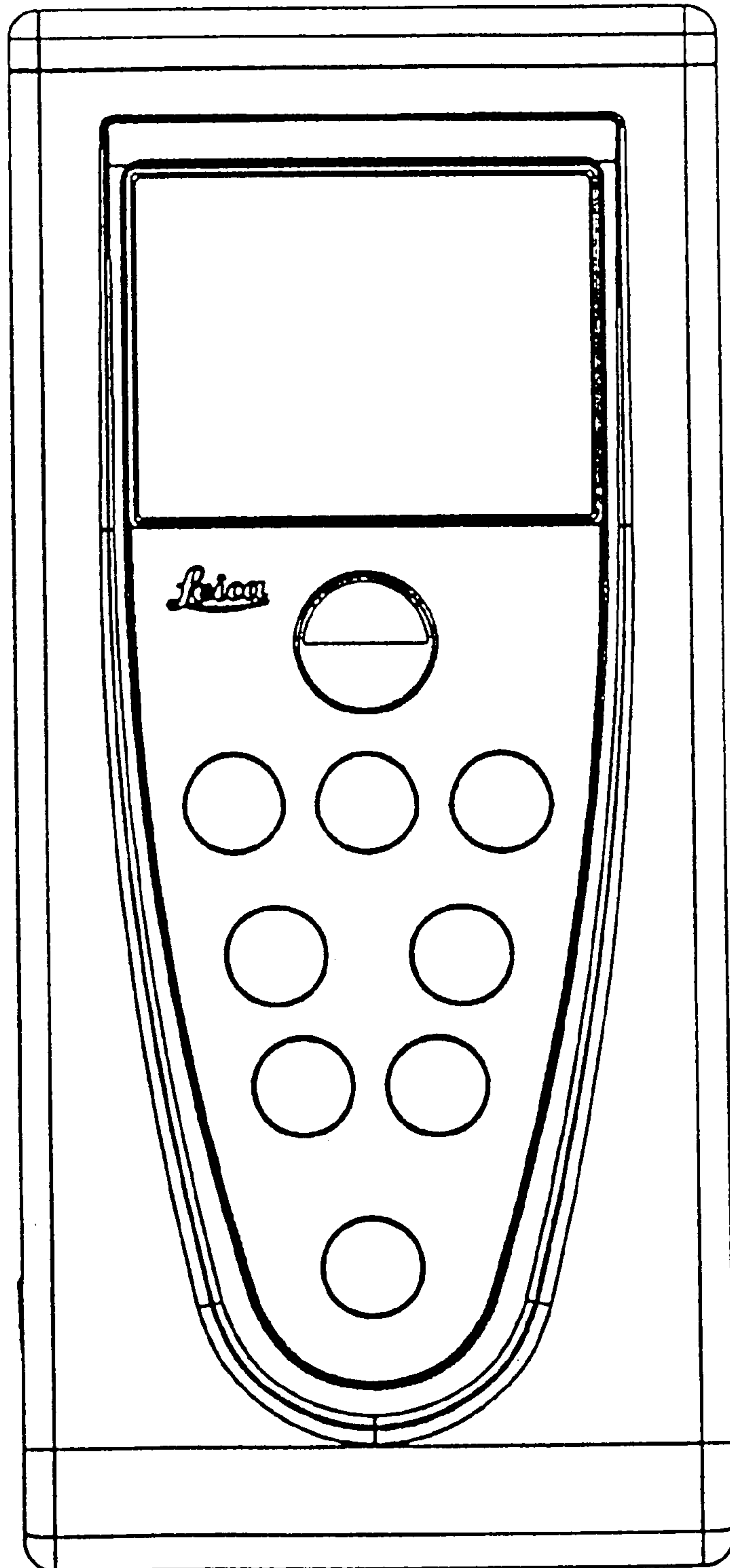


FIG. 3

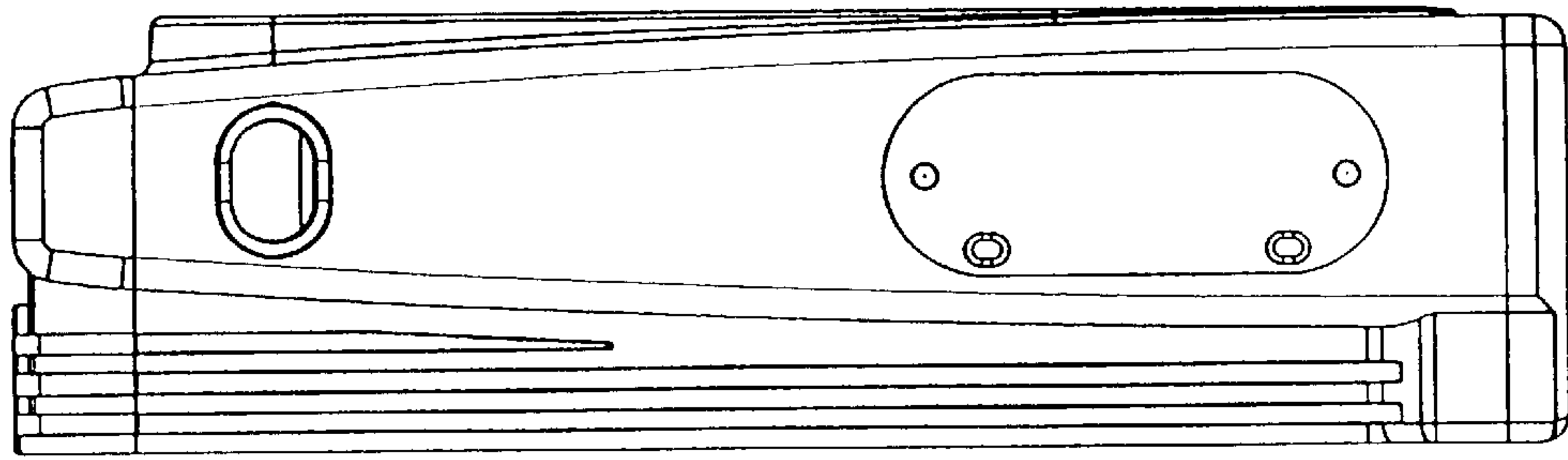


FIG. 4

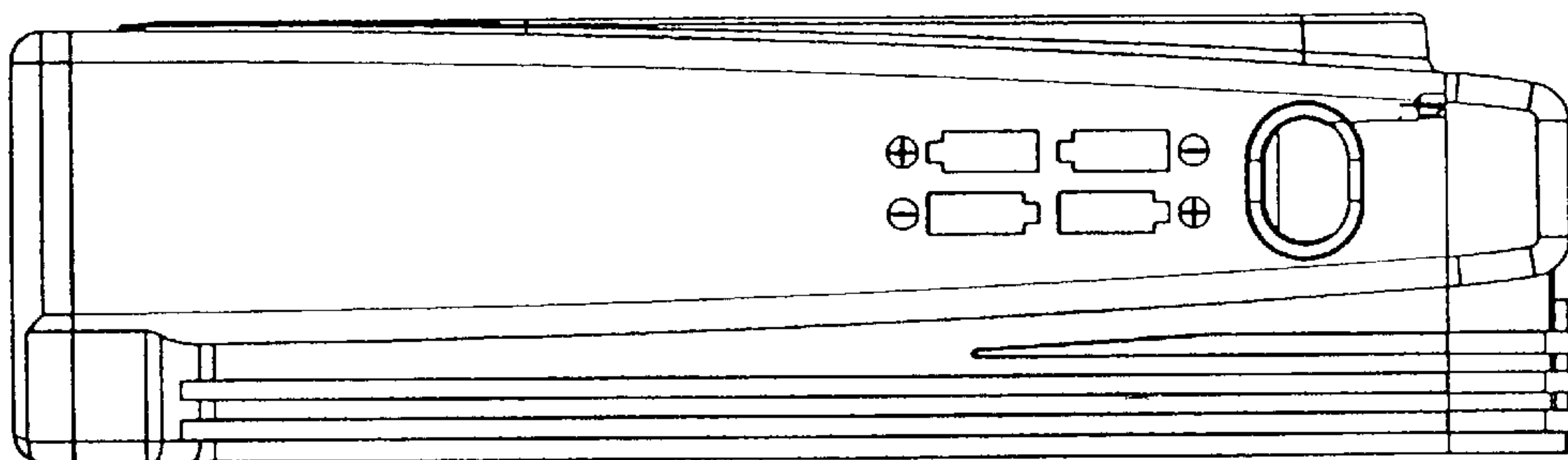


FIG. 5

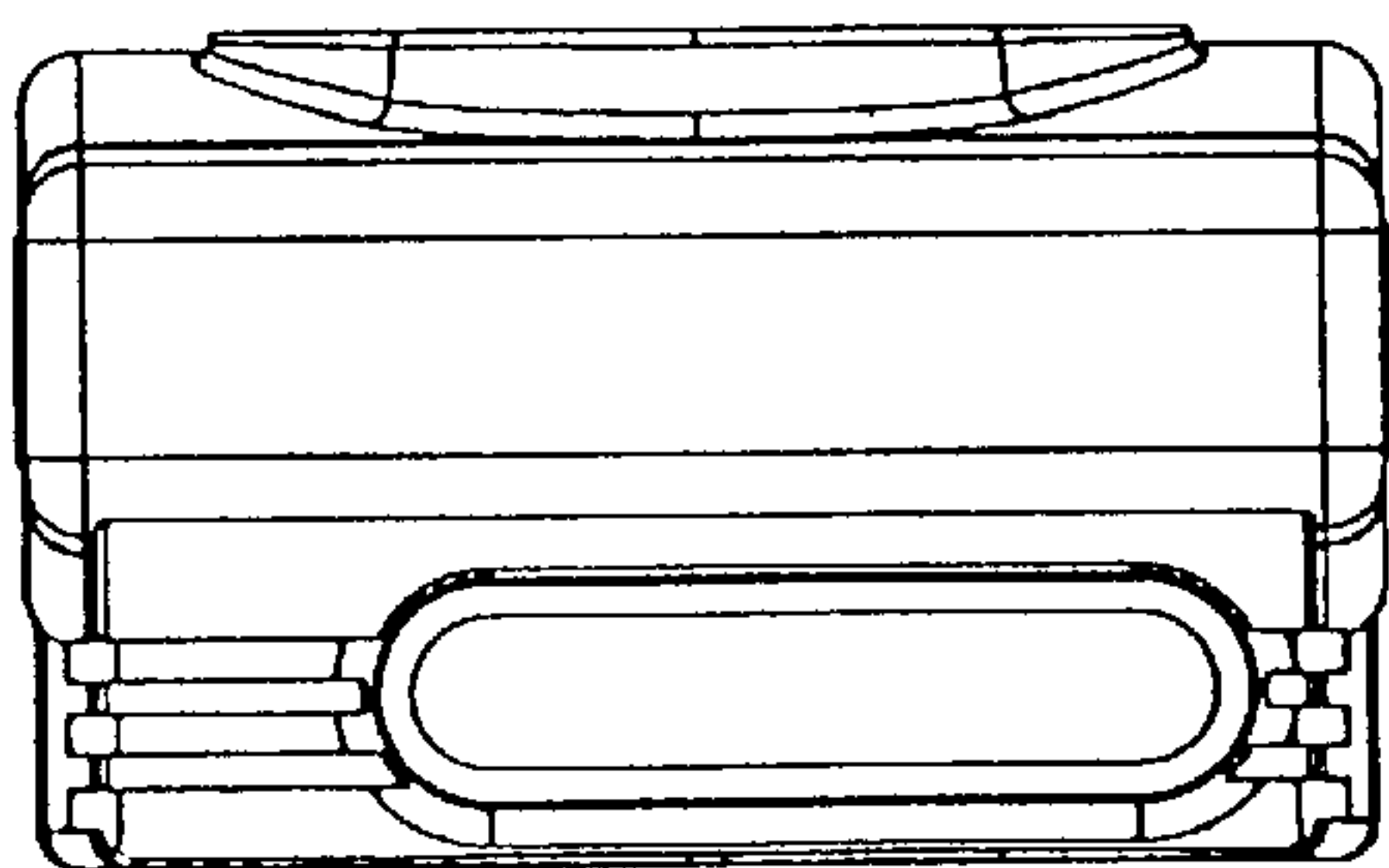


FIG. 6

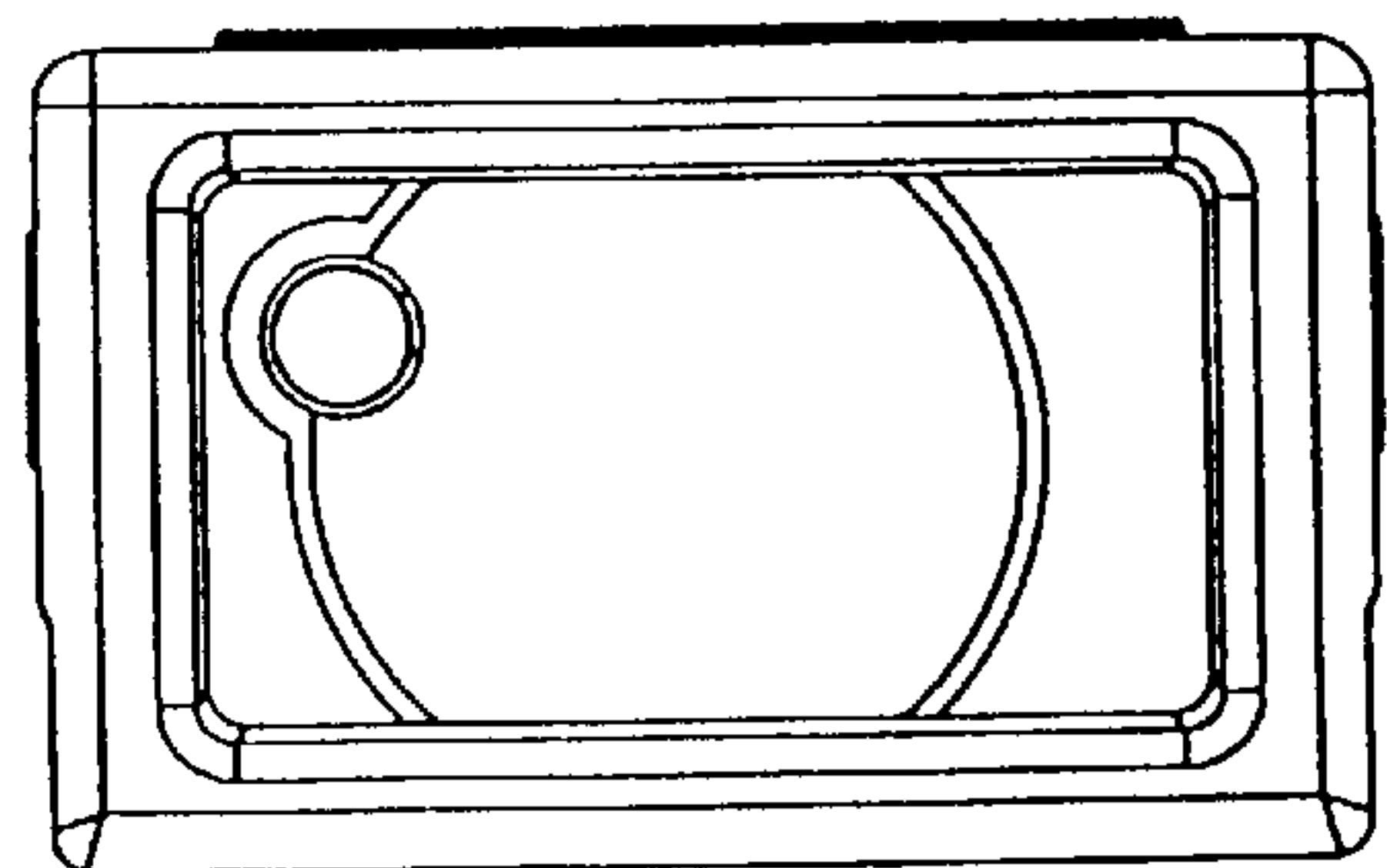


FIG. 7

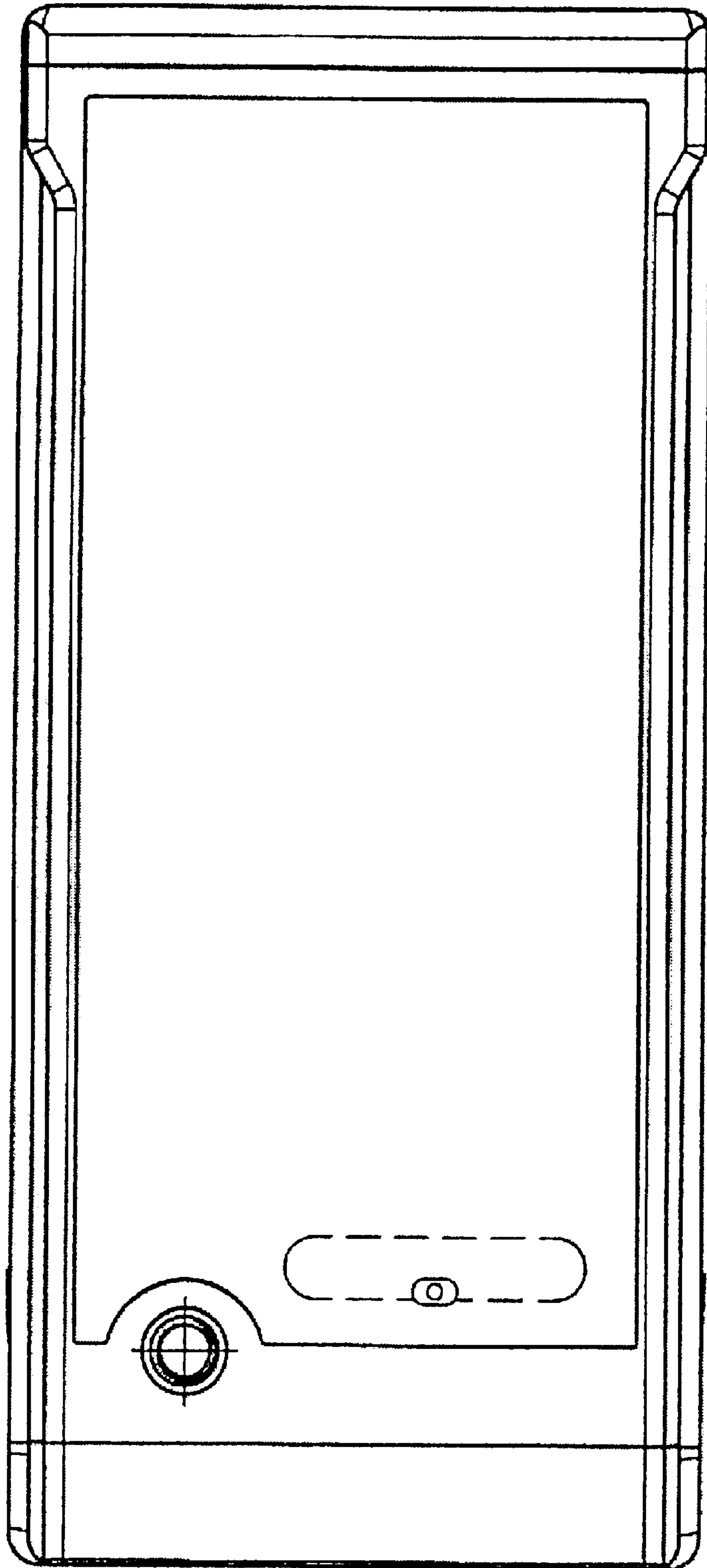


FIG. 8