



US00D460365S

(12) **United States Design Patent**
Bloom

(10) **Patent No.:** **US D460,365 S**

(45) **Date of Patent:** **** Jul. 16, 2002**

(54) **GOLF BALL GAUGE**

(76) Inventor: **Alvin K. Bloom**, 356 Reservation Rd.,
Sp#5, Marina, CA (US) 93933

(**) Term: **14 Years**

(21) Appl. No.: **29/152,338**

(22) Filed: **Dec. 17, 2001**

(51) **LOC (7) Cl.** **10-04**

(52) **U.S. Cl.** **D10/64**

(58) **Field of Search** D10/65; 33/501,
33/508, 555.1, 562, 563; 73/862.381

(56) **References Cited**

U.S. PATENT DOCUMENTS

2,628,496 A	2/1953	Wick	73/94
D193,679 S	9/1962	Baldwin	1/1
3,310,879 A	3/1967	Brezenski	33/178
3,512,262 A	5/1970	Smyk	33/178

3,797,123 A	3/1974	Fraley	33/178
3,828,442 A	8/1974	Bernard	33/178
4,385,447 A	5/1983	Bennett	33/178
4,528,759 A	7/1985	Joyce	33/178
D345,512 S	3/1994	Gaezzle	D10/64
5,774,997 A	7/1998	Gruen	33/508
6,196,073 B1	3/2001	Harding	73/862

Primary Examiner—Antoine Duval Davis

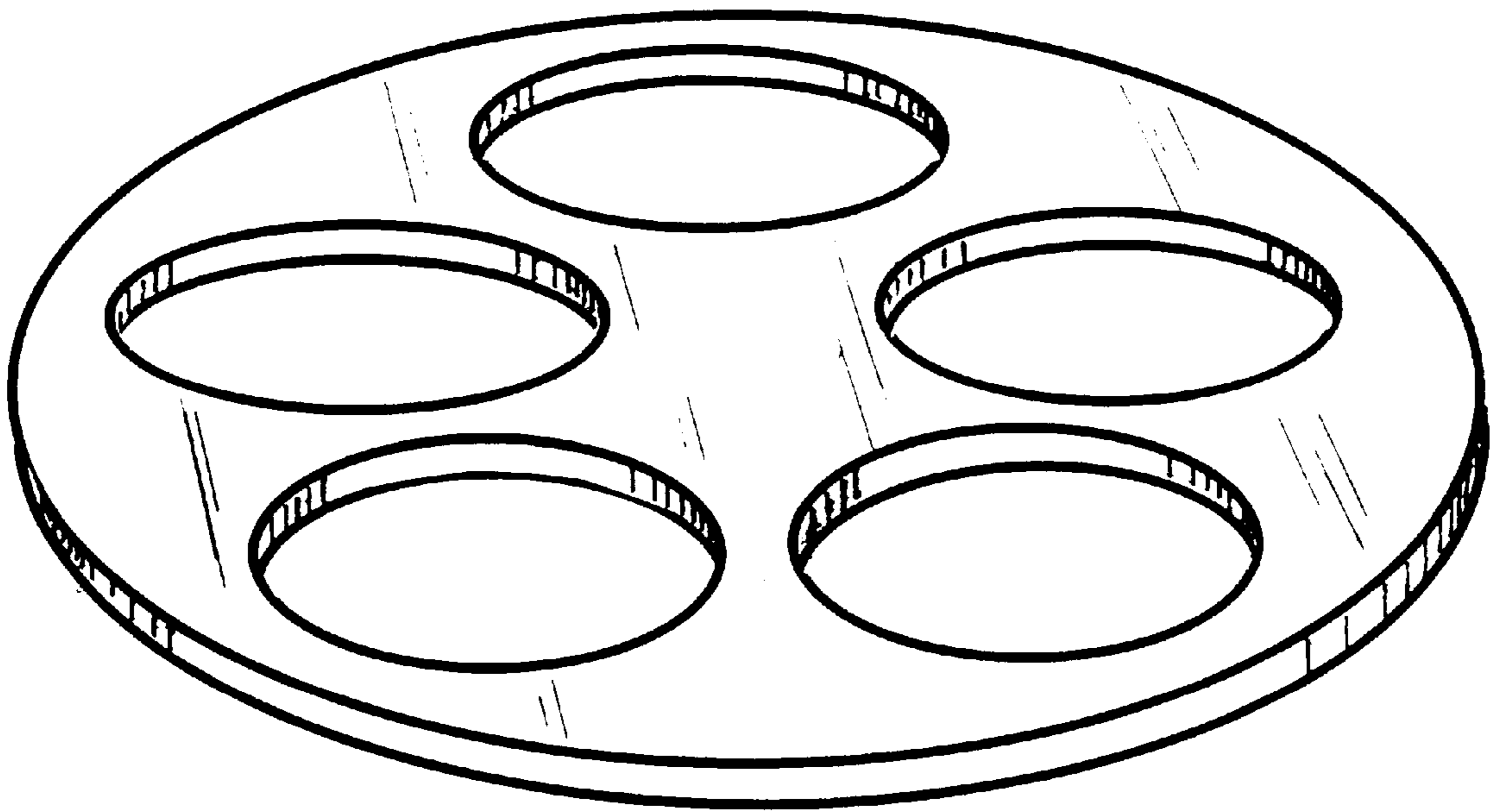
(57) **CLAIM**

The ornamental design for a golf ball gauge, as shown and described.

DESCRIPTION

FIG. 1 is a perspective view;
FIG. 2 is a front elevational view. The rear view is a mirror image of FIG. 2; and,
FIG. 3 is a side view. The reverse side is a mirror image of FIG. 3.

1 Claim, 2 Drawing Sheets



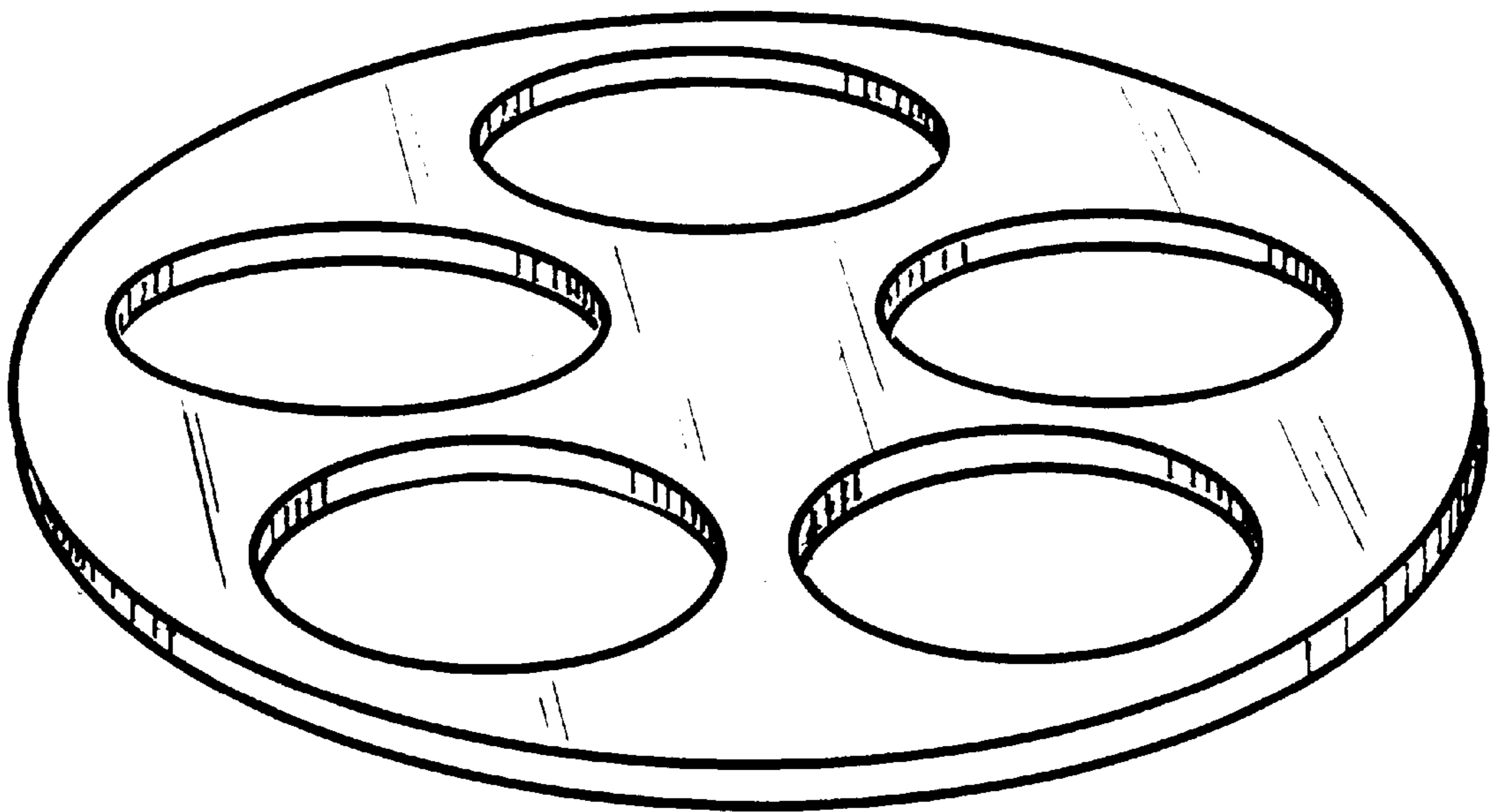


Fig 1

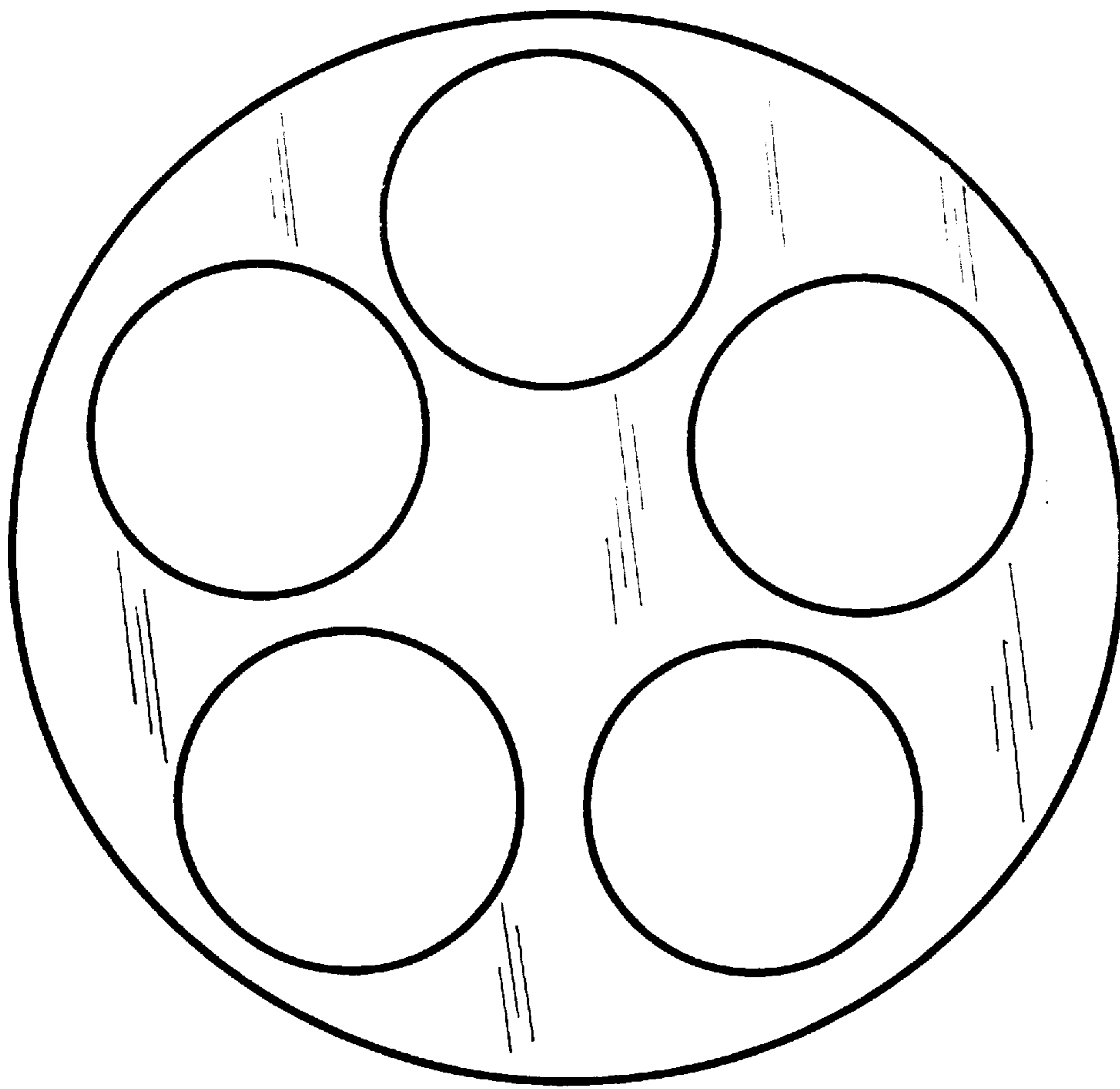


Fig 2

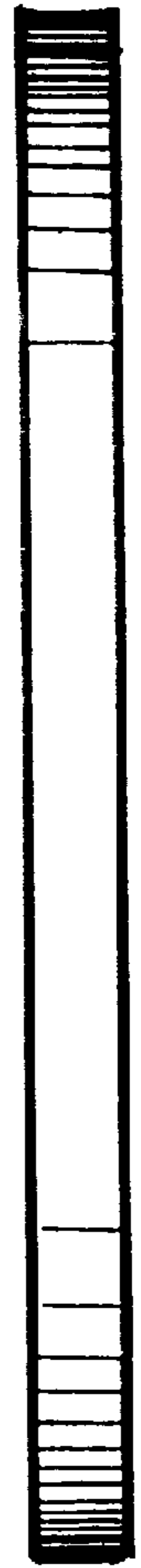


Fig 3