



US00D460363S

(12) **United States Design Patent**
Chen

(10) **Patent No.:** **US D460,363 S**

(45) **Date of Patent:** **** Jul. 16, 2002**

(54) **ELECTRICAL RECEPTACLE ADAPTER WITH TIMER**

6,329,616 B1 * 12/2001 Lee 200/51.03

* cited by examiner

(76) Inventor: **Tsang-I Chen**, Room 707, No. 293, Sung Chiang Rd., Taipei (TW)

Primary Examiner—Nelson C. Holtje
(74) *Attorney, Agent, or Firm*—Browdy and Neimark, P.L.L.C.

(**) Term: **14 Years**

(57) **CLAIM**

(21) Appl. No.: **29/152,832**

The ornamental design for a electrical receptacle adapter with timer, as shown.

(22) Filed: **Jan. 3, 2002**

(51) **LOC (7) Cl.** **10-03**

DESCRIPTION

(52) **U.S. Cl.** **D10/40**

(58) **Field of Search** D10/1-40, 122-132; 368/96-100, 107-121, 276-277, 285, 316, 317, 10; D13/158, 165, 139.8, 139.6

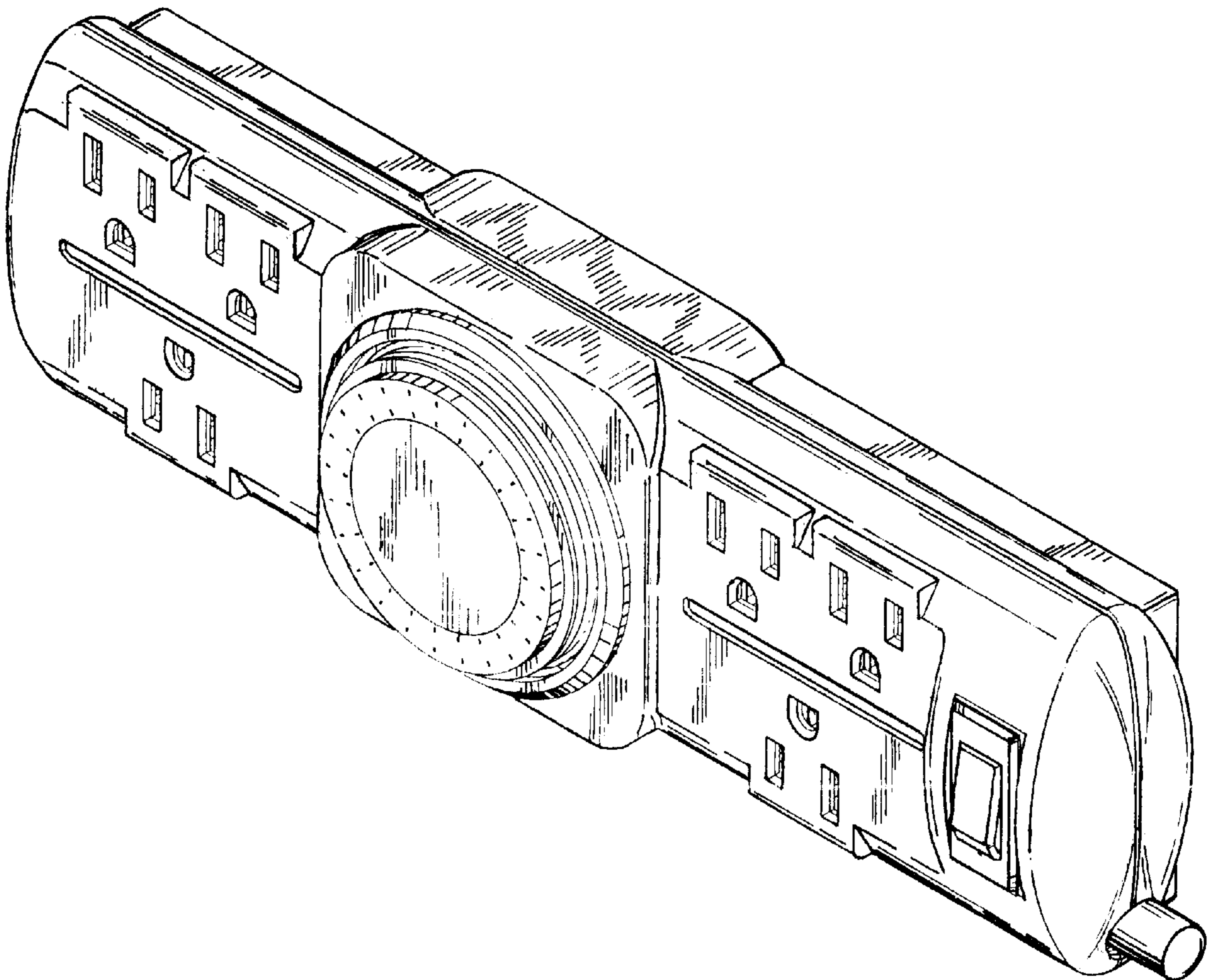
FIG. 1 shows a perspective view of the present design.
FIG. 2 shows a right side elevational view of the present design.
FIG. 3 shows a top plan view of the present design.
FIG. 4 shows a front elevational view of the present design.
FIG. 5 shows a bottom plan view of the present design.
FIG. 6 shows a left side elevational view of the present design; and,
FIG. 7 shows a rear elevational view of the present design.

(56) **References Cited**

U.S. PATENT DOCUMENTS

- 4,681,463 A * 7/1987 Bendit 368/96
- 5,430,598 A * 7/1995 Rodolfo et al. 361/115
- D420,602 S * 2/2000 Lamar et al. D10/40
- D431,529 S * 10/2000 Giese D13/139.6

1 Claim, 3 Drawing Sheets



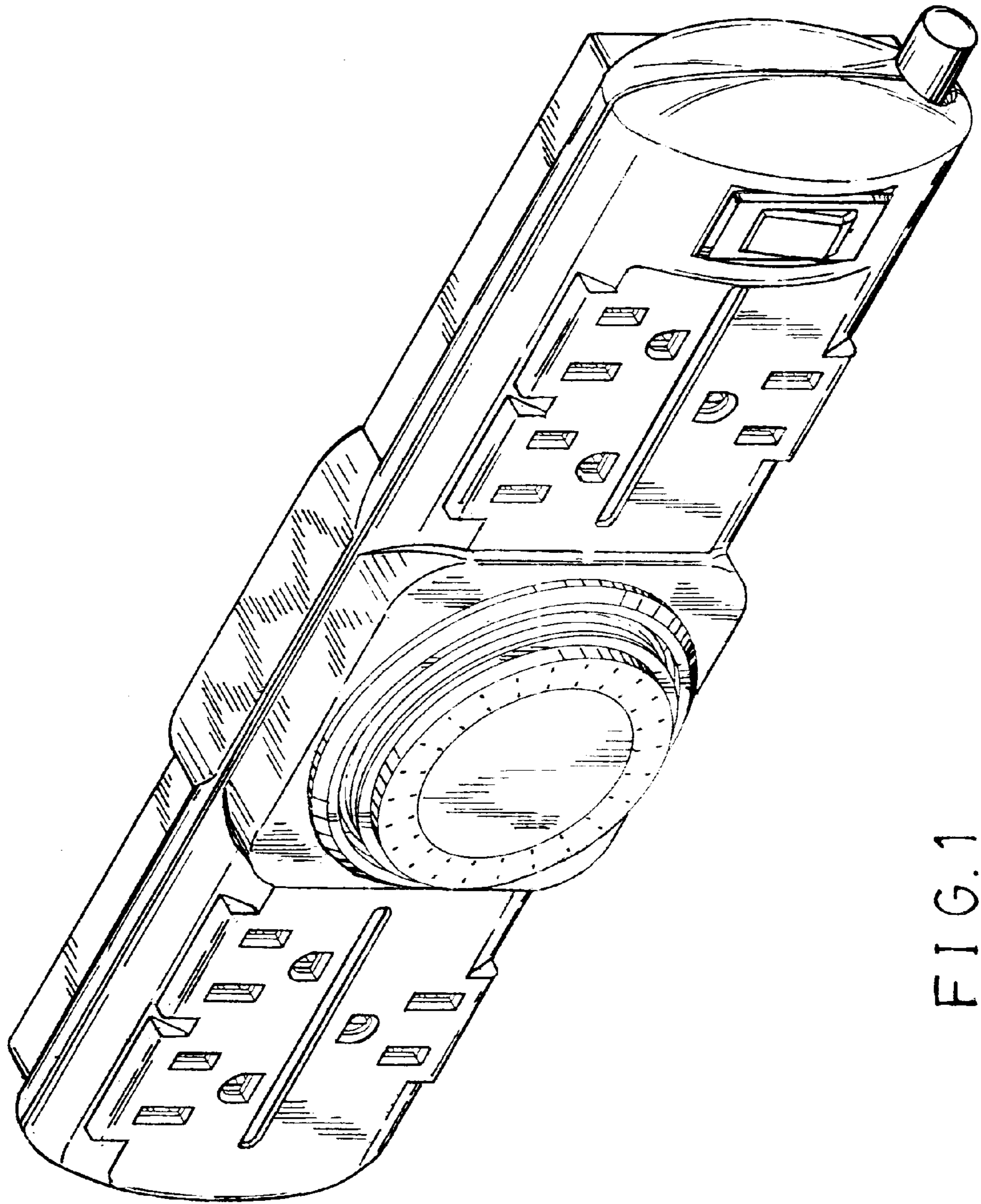


FIG. 1

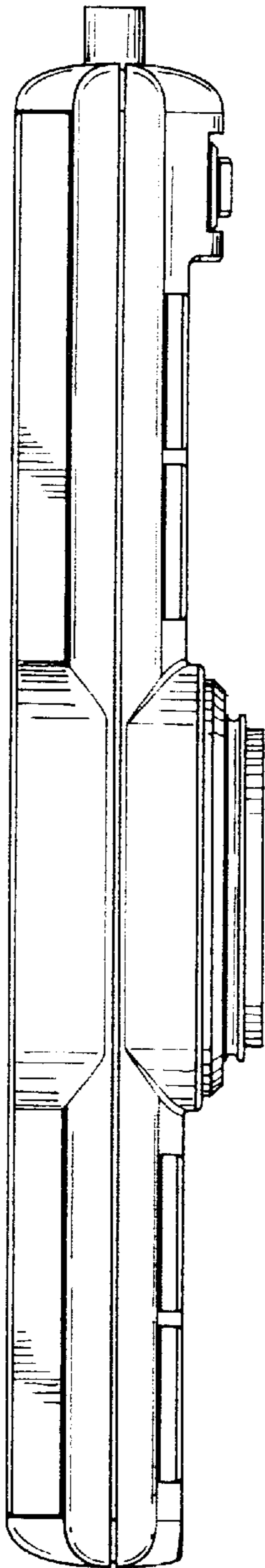


FIG. 3

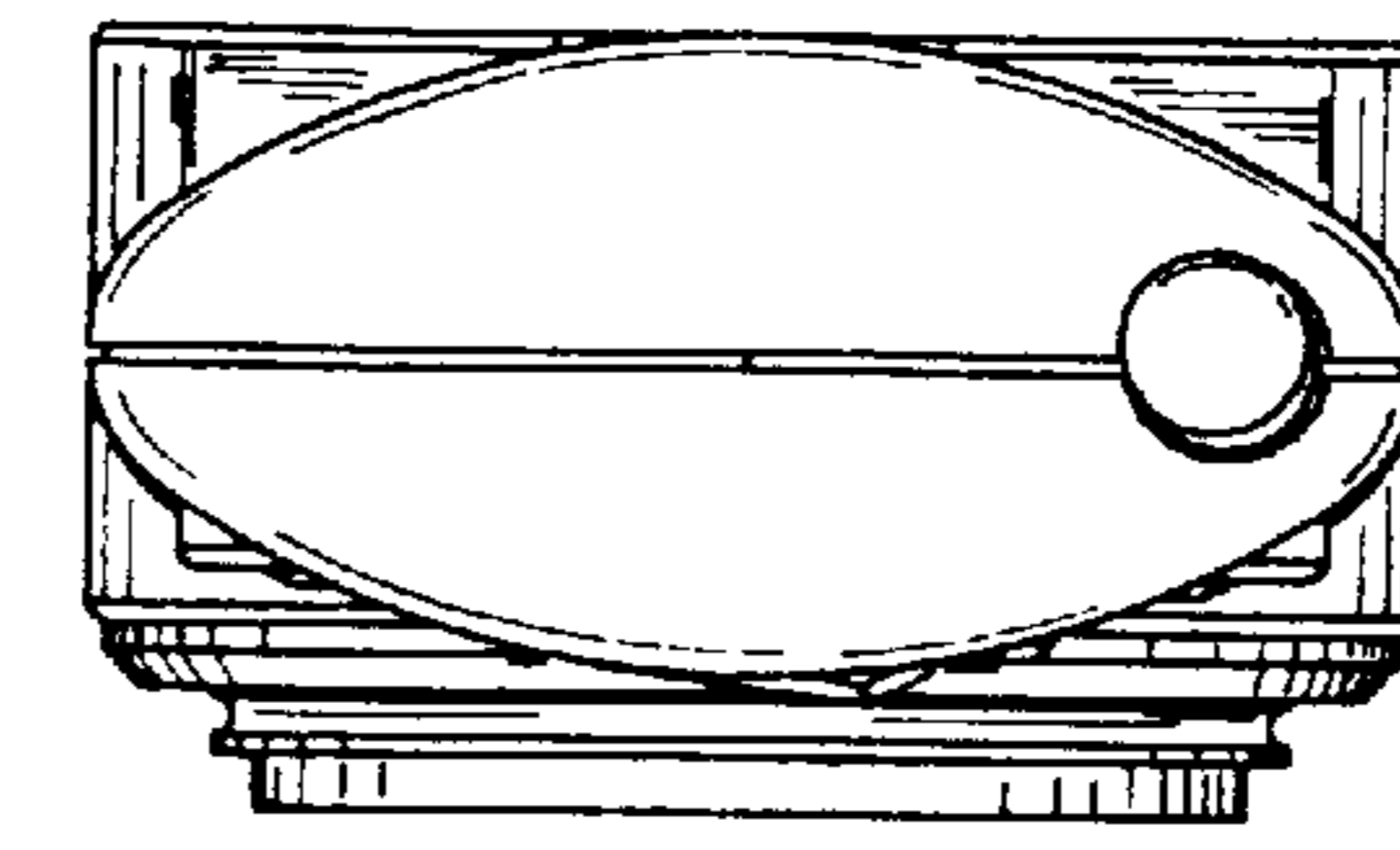


FIG. 2

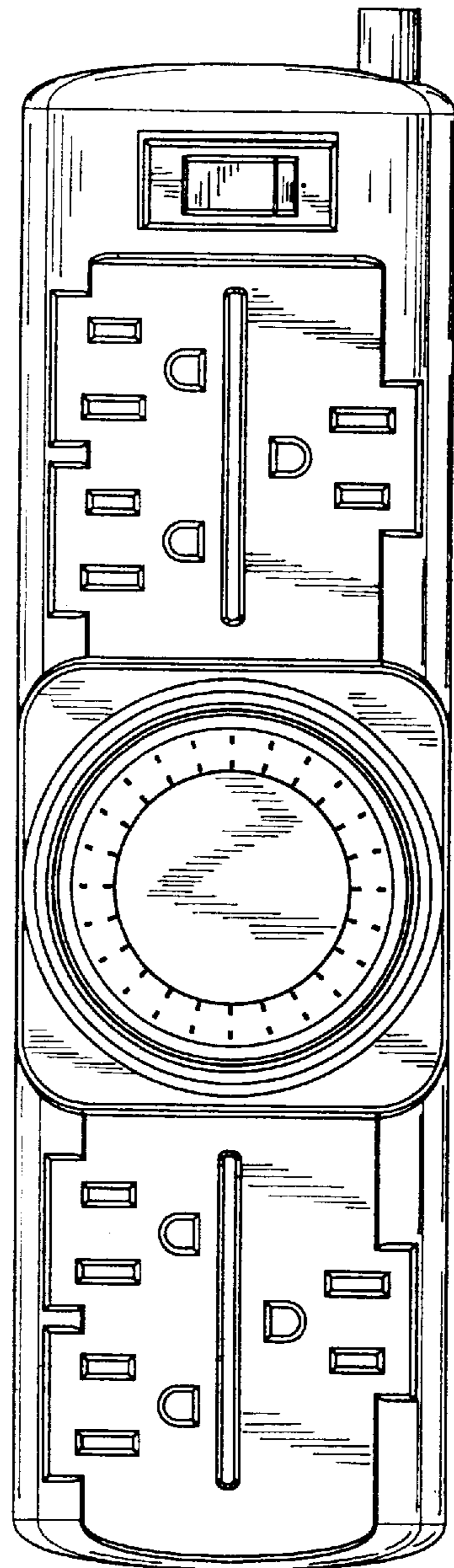


FIG. 4

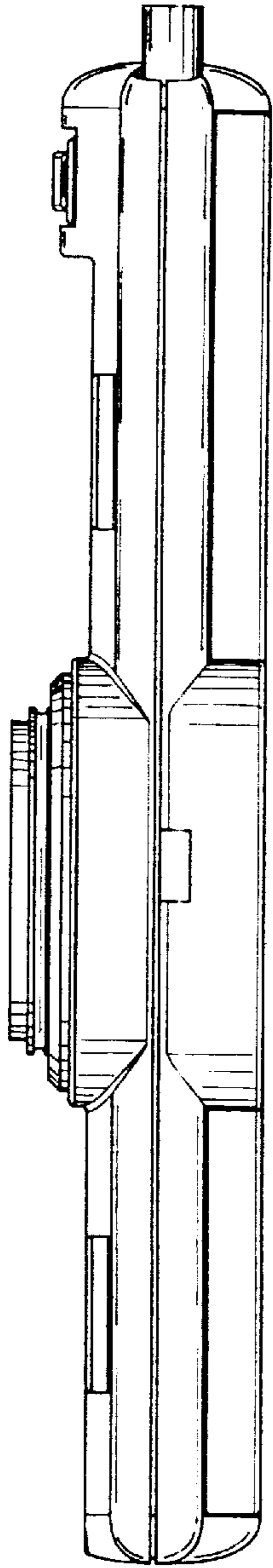


FIG. 5

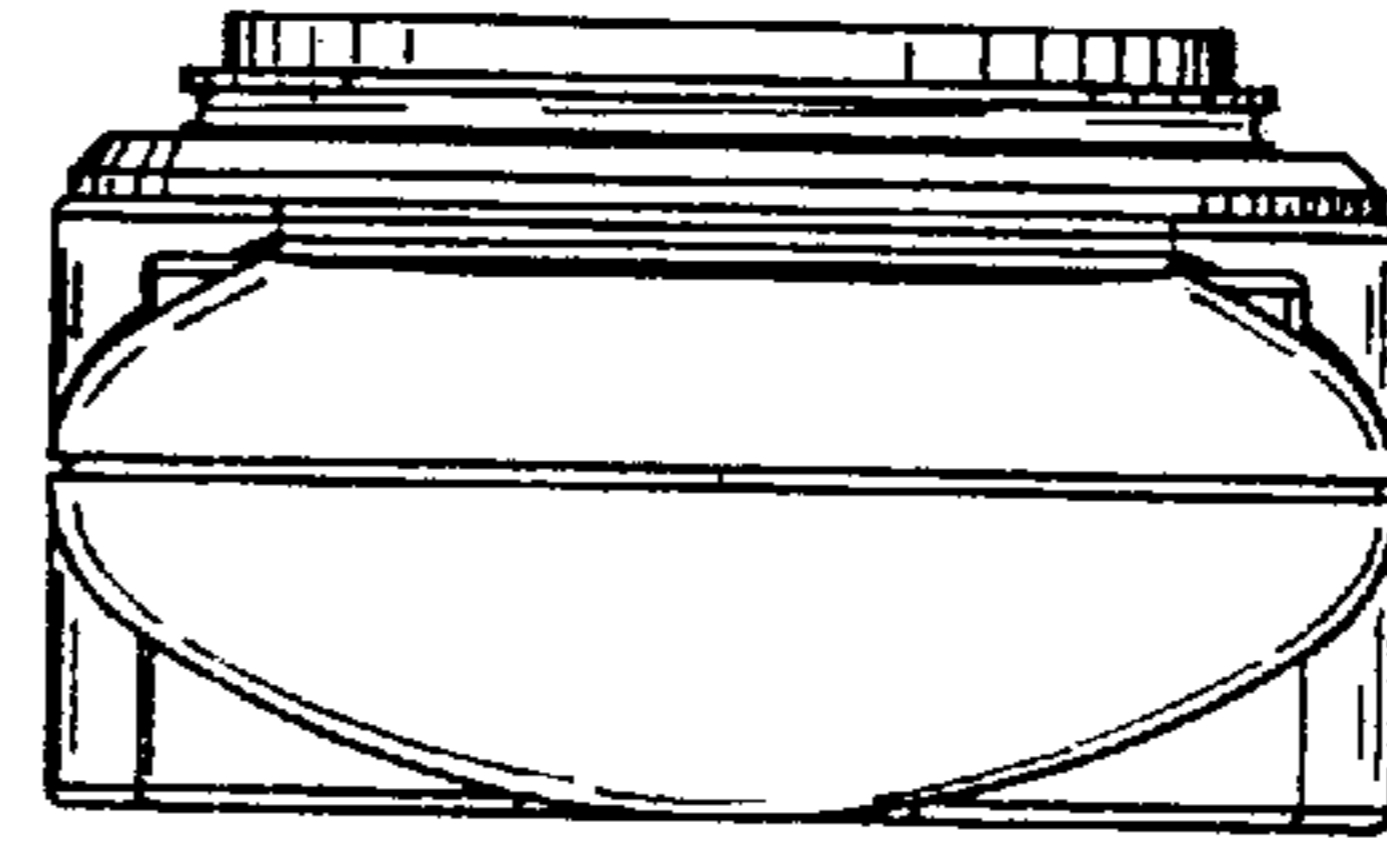


FIG. 6

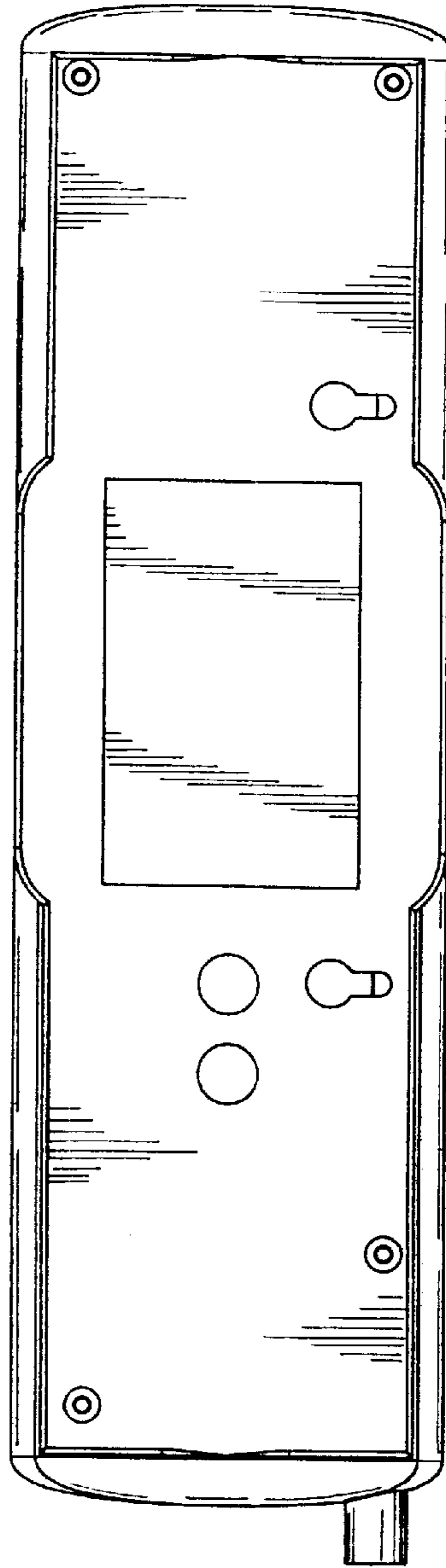


FIG. 7