



US00D460361S

(12) **United States Design Patent**
Hazen et al.

(10) **Patent No.:** **US D460,361 S**

(45) **Date of Patent:** **** Jul. 16, 2002**

(54) **PORTION OF A CLOCK**

(75) Inventors: **Bruce d. Hazen**, Layton; **Chad Olson**, Bountiful; **Brent Stoddard**, Roy; **Alan Clark**, Kaysville, all of UT (US)

(73) Assignee: **Uneek Products, LLC**, Bountiful, UT (US)

(**) Term: **14 Years**

(21) Appl. No.: **29/131,967**

(22) Filed: **Oct. 31, 2000**

(51) **LOC (7) Cl.** **10-01**

(52) **U.S. Cl.** **D10/15; D10/14; D10/21**

(58) **Field of Search** D10/1, 2, 3-15, D10/16-18, 19-40, 122-132; 368/10, 76, 276, 277, 285, 316, 317; 428/195

(56) **References Cited**

U.S. PATENT DOCUMENTS

D191,461 S * 10/1961 Ducommun D10/14
D200,114 S * 1/1965 Trojnacki D10/14
D249,650 S * 9/1978 Schoenfeld D10/6

D263,587 S * 3/1982 Yip D10/2 X
4,720,820 A * 1/1988 Siefert 368/76
5,763,053 A * 6/1998 Amin 428/195
D409,498 S * 5/1999 Hargrove, III D10/15
D452,164 S * 12/2001 Buss D10/14

* cited by examiner

Primary Examiner—Martie K. Holtje

(74) *Attorney, Agent, or Firm*—TraskBritt

(57) **CLAIM**

The ornamental design for a portion of a clock, as shown and described.

DESCRIPTION

FIG. 1 is a perspective view of a portion of a clock showing our new design;

FIG. 2 is a top plan view thereof;

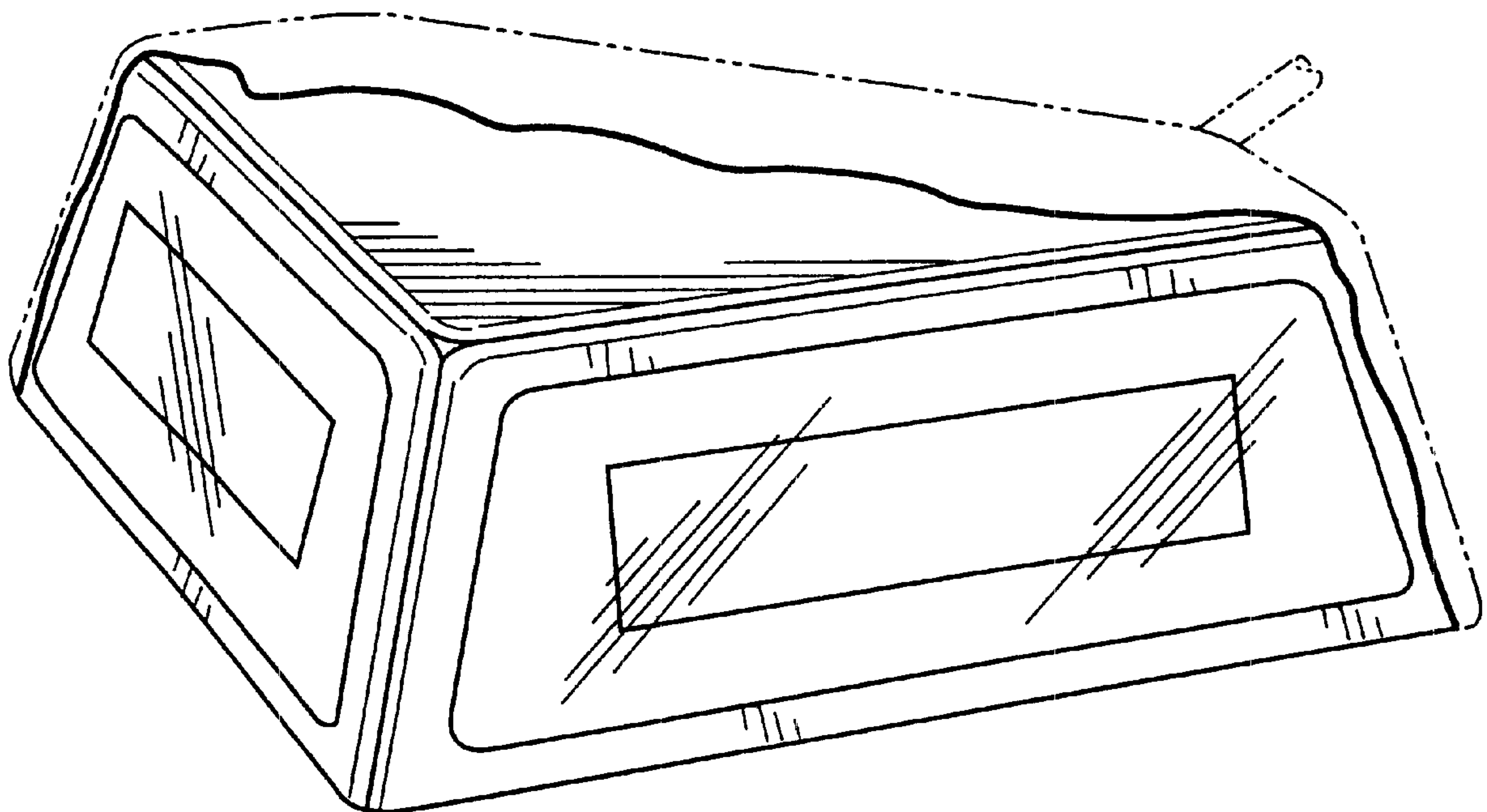
FIG. 3 is a front elevational view thereof;

FIG. 4 is a right side elevational view; and,

FIG. 5 is a left side elevational view thereof.

The phantom lines showing features of a clock in FIGS. 1-5 are for illustrative purposes only and form no part of the claimed design.

1 Claim, 2 Drawing Sheets



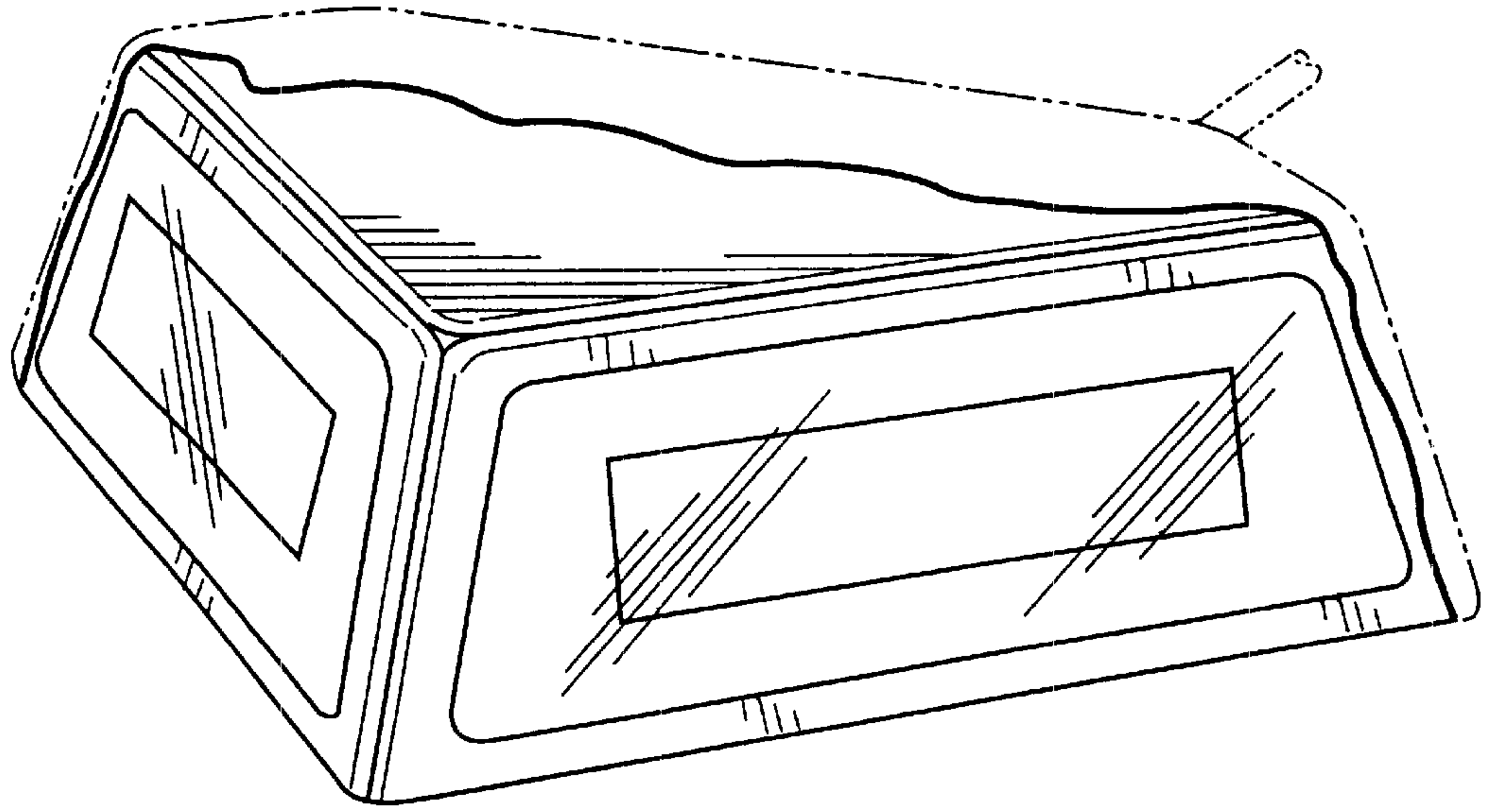


Fig. 1

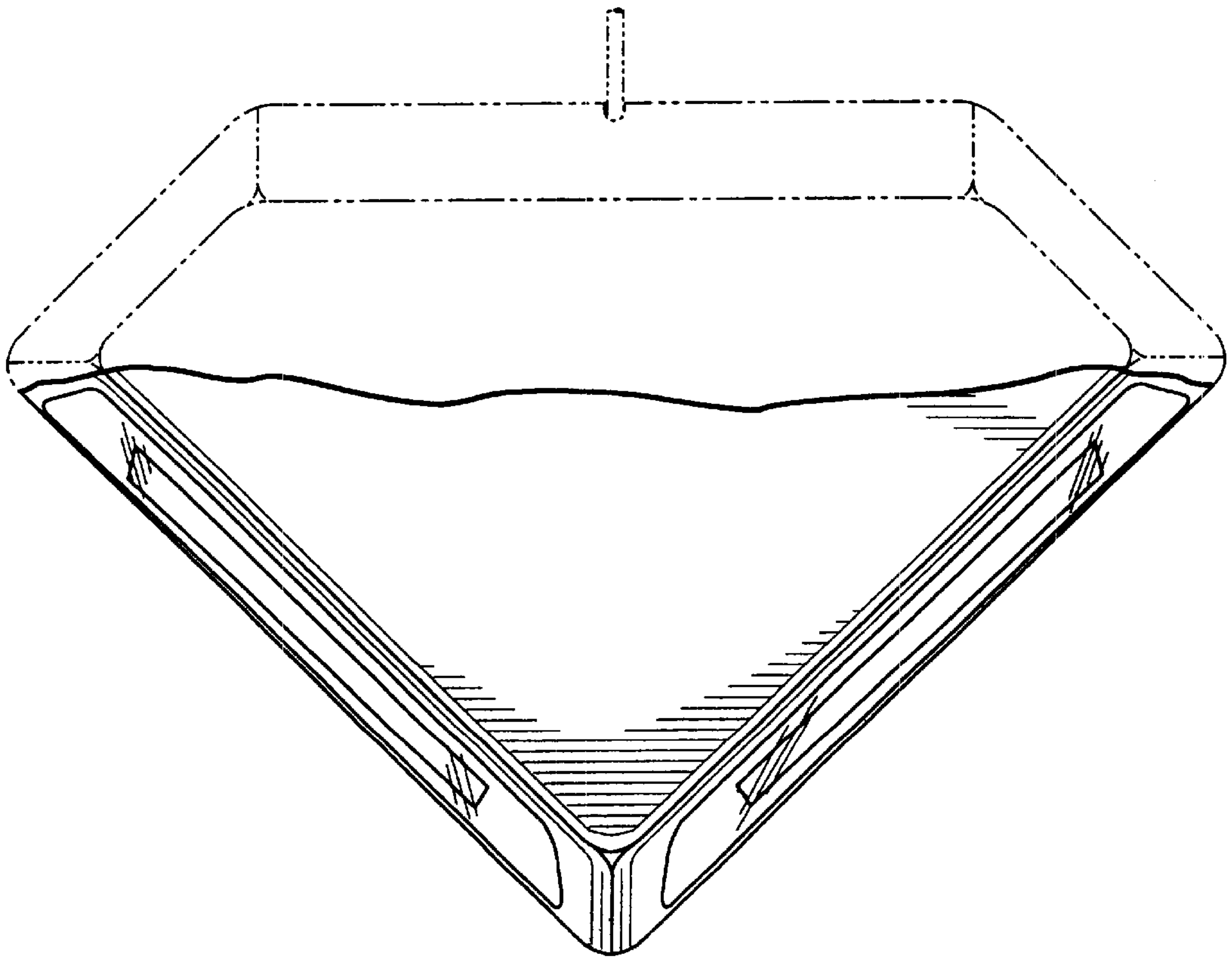


Fig. 2

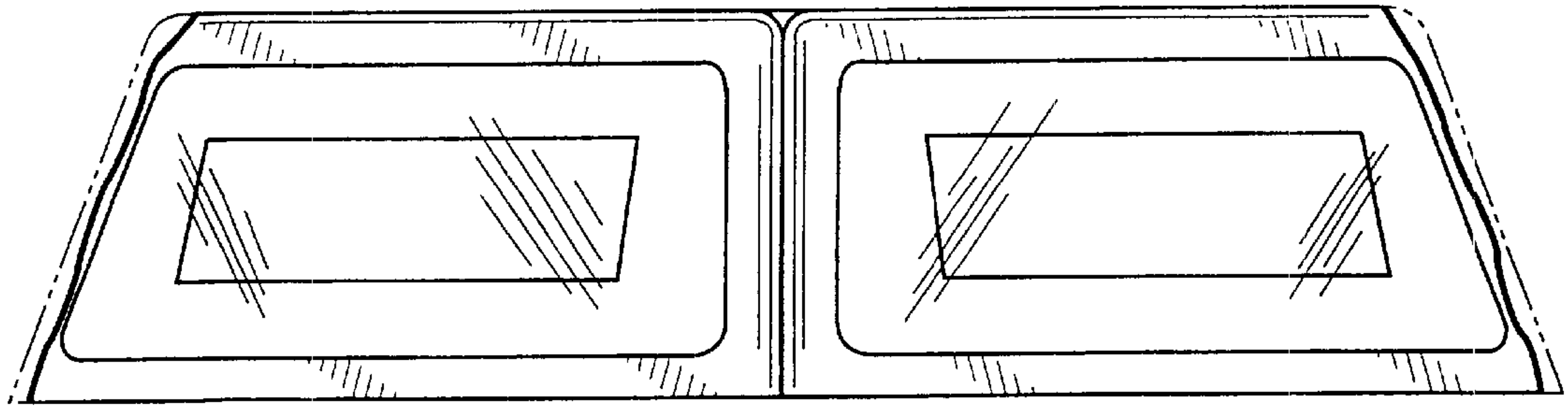


Fig. 3

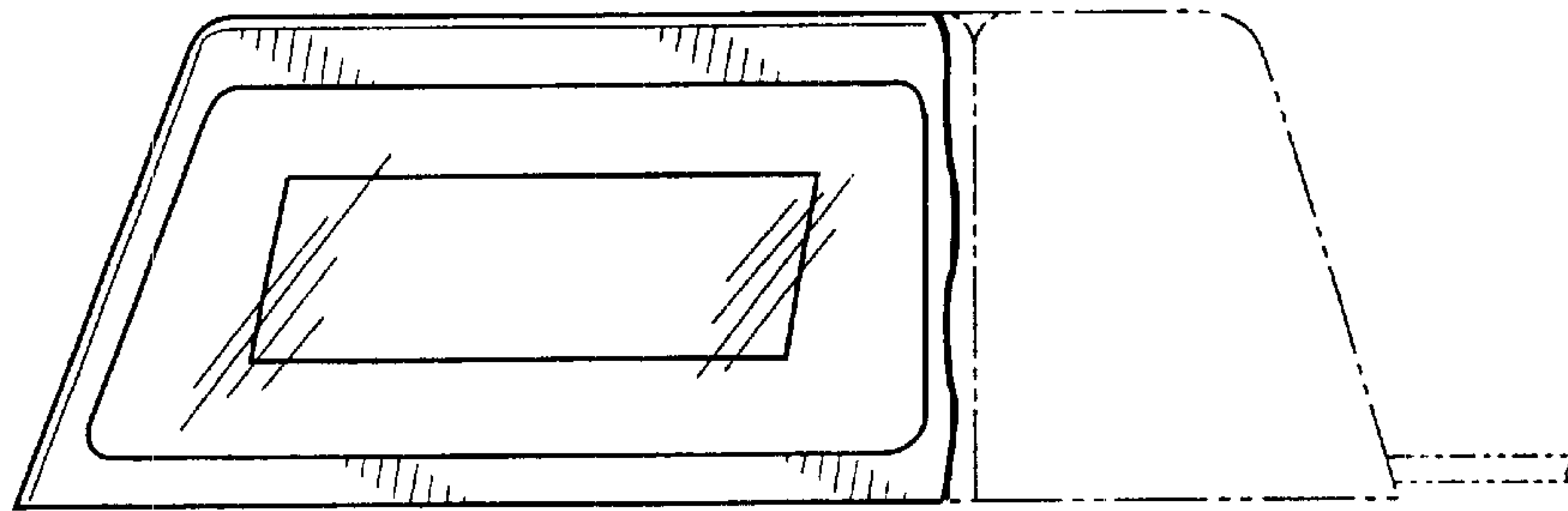


Fig. 4

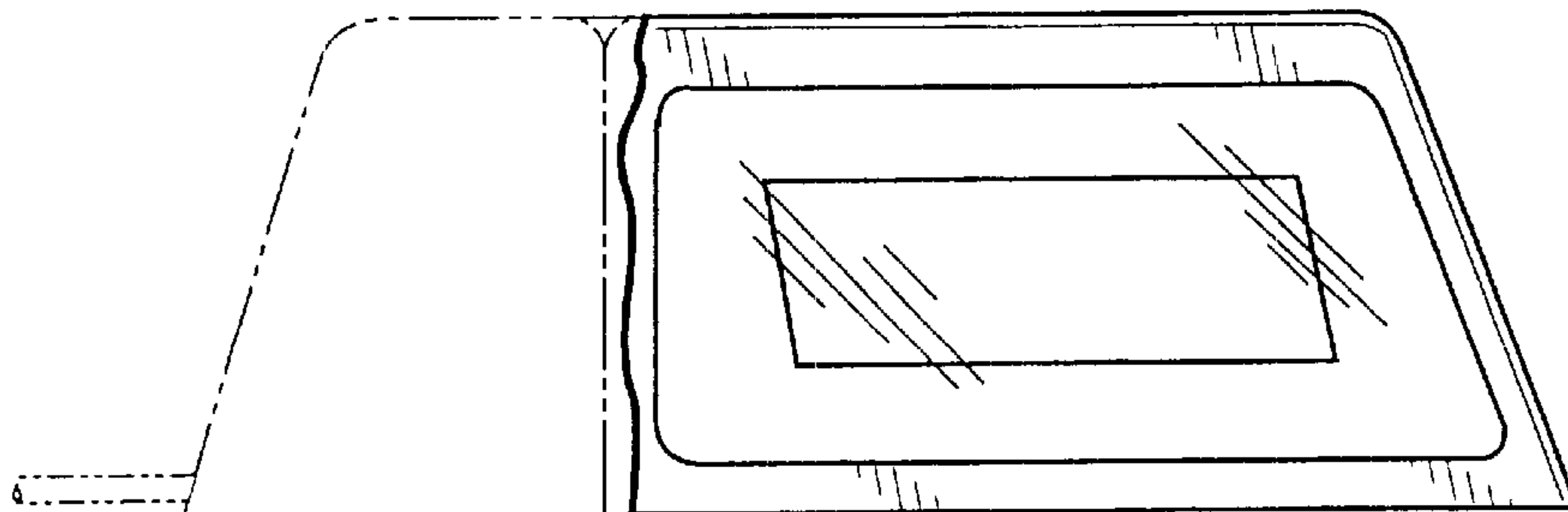


Fig. 5

UNITED STATES PATENT AND TRADEMARK OFFICE
CERTIFICATE OF CORRECTION

PATENT NO. : Des. 460,361 S
DATED : July 16, 2002
INVENTOR(S) : Hazen et al.

Page 1 of 1

It is certified that error appears in the above-identified patent and that said Letters Patent is hereby corrected as shown below:

Title page,

Item [75], Inventors, between "**Bruce**" and "**Hazen**" change "**d.**" to -- **D.** --.

Signed and Sealed this

First Day of October, 2002

Attest:

A handwritten signature in black ink, appearing to read "James E. Rogan", with a horizontal line drawn underneath it.

Attesting Officer

JAMES E. ROGAN
Director of the United States Patent and Trademark Office