



US00D460357S

(12) **United States Design Patent**
Kras et al.

(10) **Patent No.:** **US D460,357 S**

(45) **Date of Patent:** **** Jul. 16, 2002**

(54) **DAIRY CLOSURE**

(75) Inventors: **Stephen J. Kras**, Chicago; **Kevin W. Orth**, Des Plaines; **John Michael McComb**, Downers Grove, all of IL (US)

(73) Assignee: **White Cap, Inc.**, Chicago, IL (US)

(**) Term: **14 Years**

(21) Appl. No.: **29/141,243**

(22) Filed: **May 2, 2001**

(51) **LOC (7) Cl.** **09-07**

(52) **U.S. Cl.** **D9/435; D9/453**

(58) **Field of Search** D9/435, 438, 453;
215/200, 201, 217, 227, 235, 250-256,
258

(56) **References Cited**

U.S. PATENT DOCUMENTS

D113,394 S * 2/1939 Piluso D9/453
D304,424 S * 11/1989 Dawson D9/453

4,981,230 A * 1/1991 Marshall et al. 215/252
D359,685 S * 6/1995 Luch D9/453
D427,068 S * 6/2000 Hierzer D9/453
6,213,321 B1 * 4/2001 Zumbuhl 215/258
6,325,227 B1 * 12/2001 Ekkert 215/258

* cited by examiner

Primary Examiner—Dominic Simone

(74) *Attorney, Agent, or Firm*—Cook, Alex, McFarron, Manzo, Cummings & Mehler, Ltd.

(57) **CLAIM**

The Ornamental Design for a dairy closure, as shown and described.

DESCRIPTION

FIG. 1 is a perspective view of a dairy closure showing our design;
FIG. 2 is a side view thereof, the opposite side being identical thereto;
FIG. 3 is a top plan view thereof; and,
FIG. 4 is a bottom plan view thereof.

1 Claim, 1 Drawing Sheet

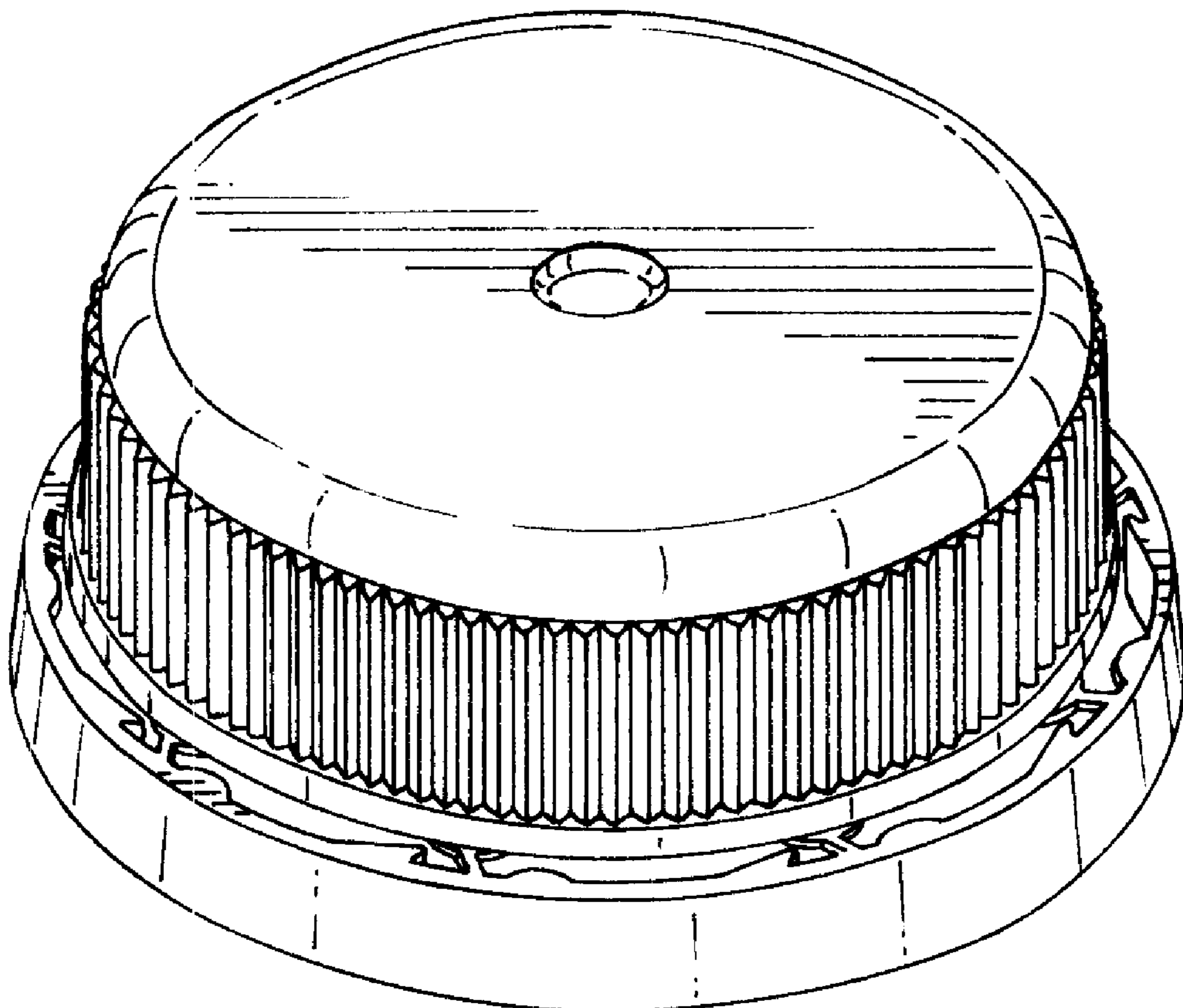


FIG. 1

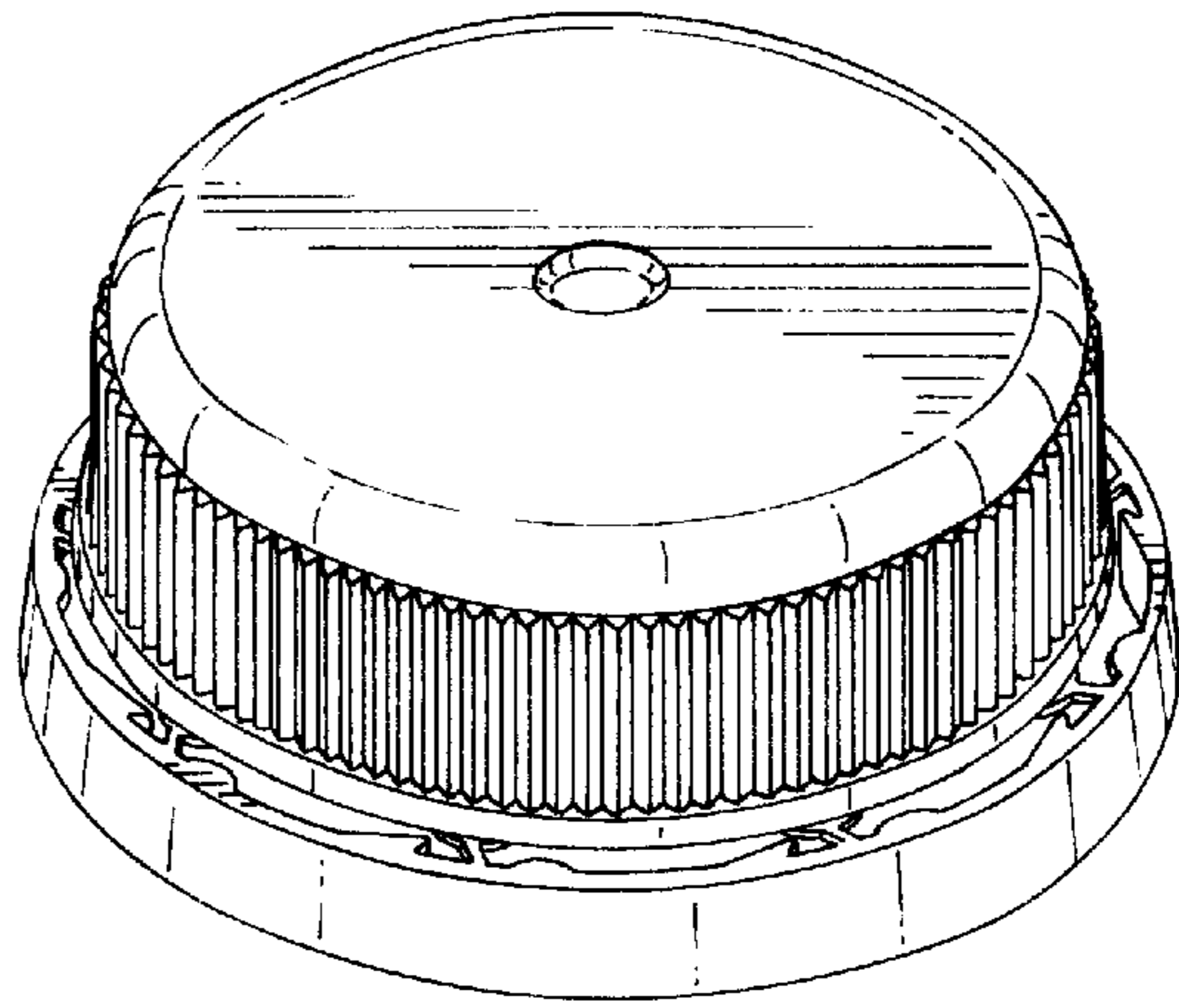


FIG. 2

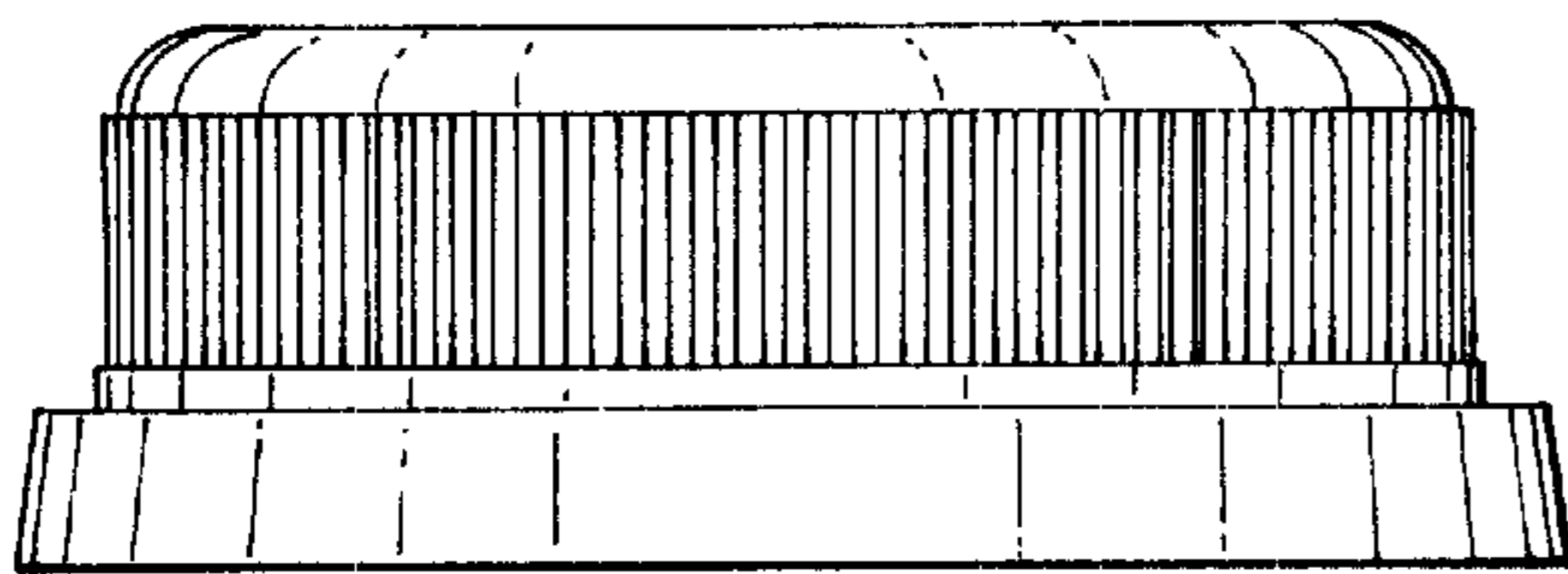


FIG. 3

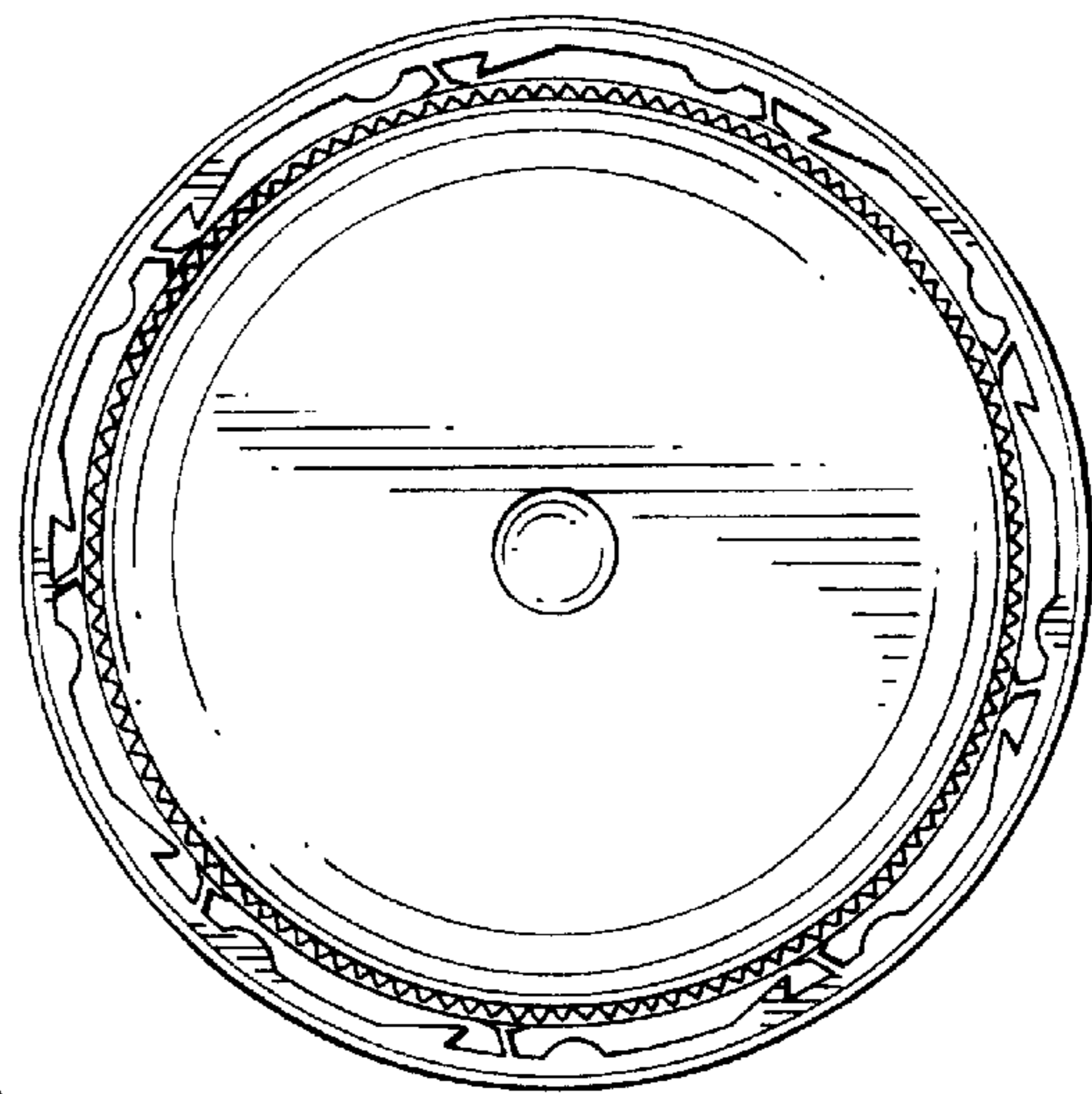


FIG. 4

