

US00D460355S

(12) **United States Design Patent**
Lenz et al.

(10) **Patent No.: US D460,355 S**

(45) **Date of Patent: ** Jul. 16, 2002**

- (54) **PANTILINER PACKAGE**
- (75) Inventors: **Martina Margarete Lenz**, Frankfurt (DE); **Stephan Walter Ruske**, Oberbalm (CL); **Heiko Armin Ernst Friedrich Tischler**, Wurzburg (DE)
- (73) Assignee: **The Procter & Gamble Company**, Cincinnati, OH (US)
- (**) Term: **14 Years**
- (21) Appl. No.: **29/129,218**
- (22) Filed: **Sep. 8, 2000**
- (30) **Foreign Application Priority Data**
Mar. 15, 2000 (GB) 2091409
- (51) **LOC (7) Cl. 09-03**
- (52) **U.S. Cl. D9/431; D9/418; D9/433**
- (58) **Field of Search D9/414, 415, 418, D9/430-433, 337, 346; 229/111, 112, 116.1, 162, 87.15; 206/769, 770, 223, 216, 278, 775-783, 822**

D303,925 S	10/1989	Mileos
D305,978 S	2/1990	Mileos
4,917,290 A	4/1990	Saiki et al.
D308,019 S	5/1990	Mileos
4,941,427 A	7/1990	Houssian
5,040,721 A	8/1991	Essack
D320,102 S	9/1991	Harford, Jr.
D349,052 S	7/1994	Goldstein et al.
D356,033 S	3/1995	Horvat et al.
D407,969 S	4/1999	Planchard
5,938,107 A *	8/1999	Anchor et al. 229/116.1
D417,617 S	12/1999	Jensen et al.
6,027,016 A *	2/2000	Ljungstrom et al. 229/116.1
D447,689 S *	9/2001	Navet et al. D9/430

FOREIGN PATENT DOCUMENTS

FR 1227323 8/1960

* cited by examiner

Primary Examiner—Prabhakar Deshmukh

(74) *Attorney, Agent, or Firm*—Ingrid N. Hickman; Kevin C. Johnson

(57) **CLAIM**

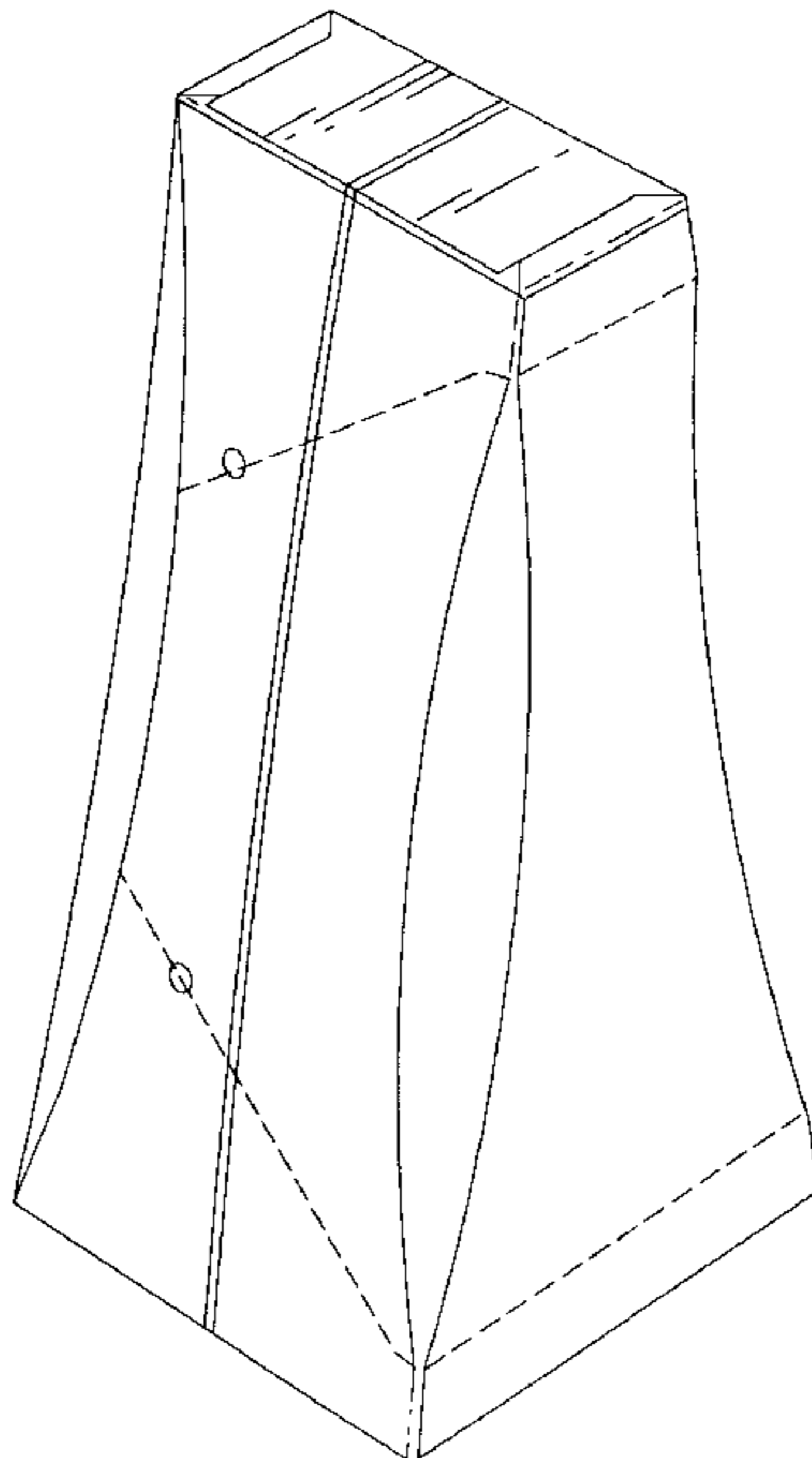
The ornamental design for a pantiliner package, as shown and described.

DESCRIPTION

FIG. 1 is a perspective view of a pantiliner package embodying my design;
 FIG. 2 is a front view thereof, the back view being a mirror image in appearance;
 FIG. 3 is right side view thereof, the left side view being a mirror image in appearance;
 FIG. 4 is a top plan view thereof;
 FIG. 5 is a bottom plan view thereof; and,
 FIG. 6 is a top plan view thereof, shown in an unfolded condition.

1 Claim, 3 Drawing Sheets

- (56) **References Cited**
- U.S. PATENT DOCUMENTS**
- 200,003 A 2/1878 Sprowles
- 1,764,251 A 6/1930 Farago
- 2,050,894 A * 8/1936 Paige 229/116.1
- 2,670,892 A 3/1954 Kendrick
- D182,383 S * 3/1958 Samsing D9/414
- D190,448 S * 5/1961 Berghgracht D9/414
- D202,920 S * 11/1965 Muesing D9/414
- 3,253,567 A * 5/1966 Baron et al. 206/278
- 4,313,556 A * 2/1982 Boyle et al. 229/111
- 4,432,490 A 2/1984 Roberts
- D290,345 S 6/1987 Abe
- D303,760 S 10/1989 Brainard



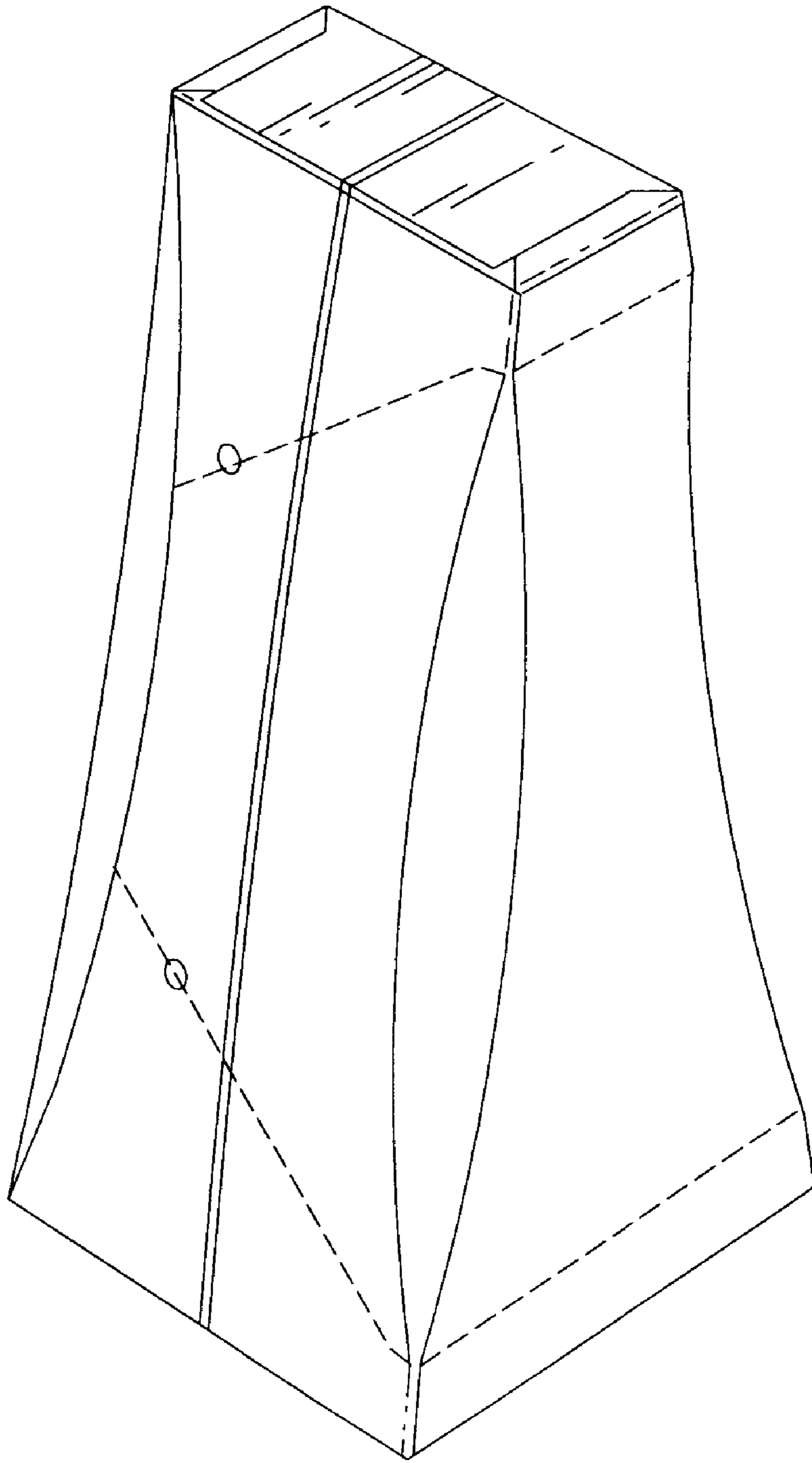


Fig. 1

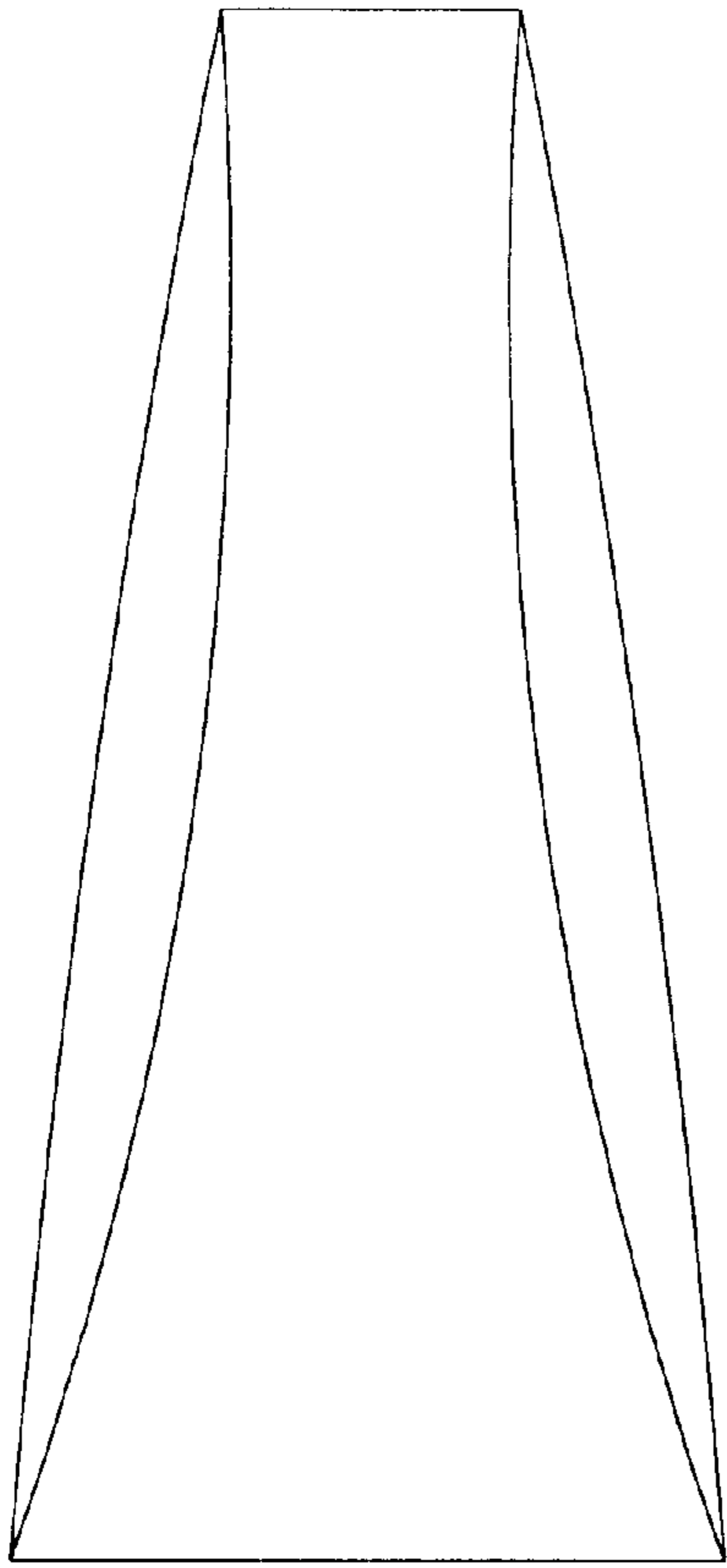


Fig. 2

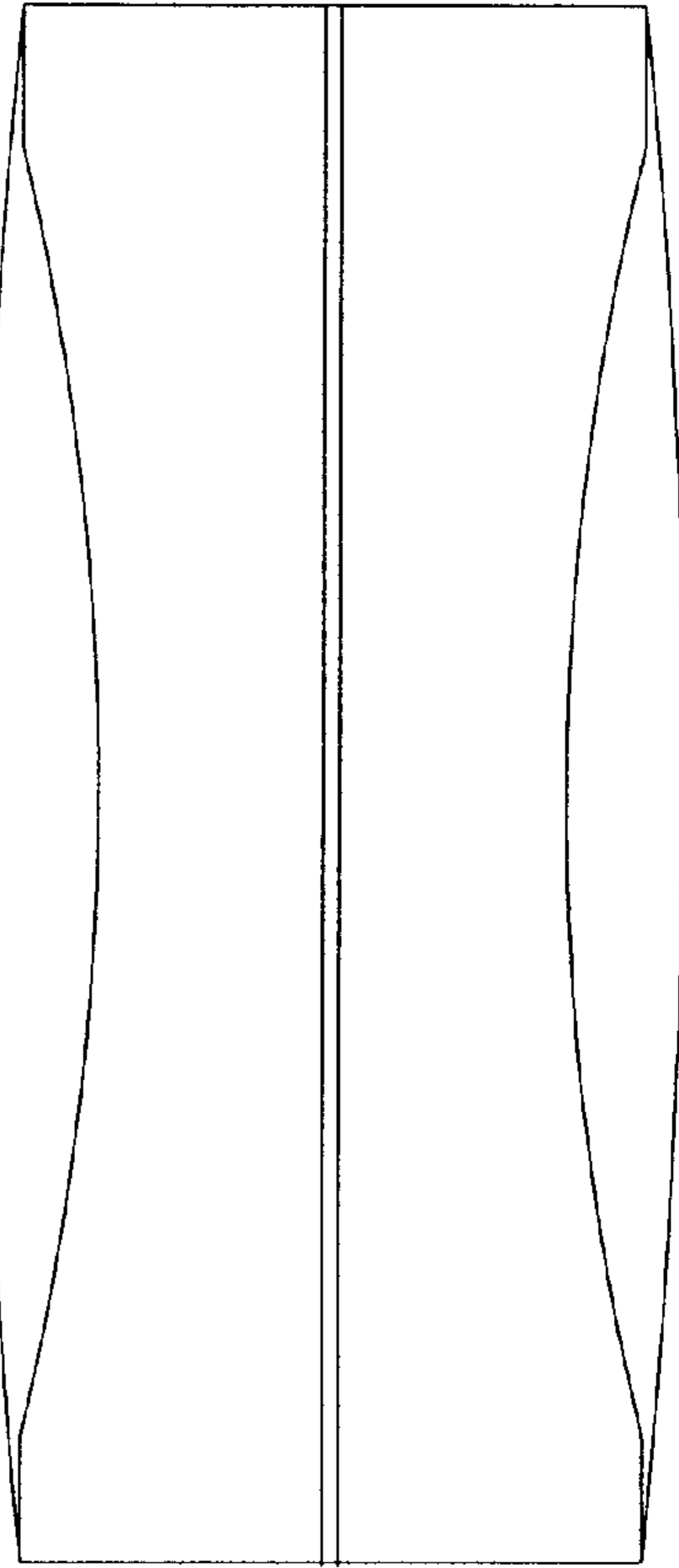


Fig. 3

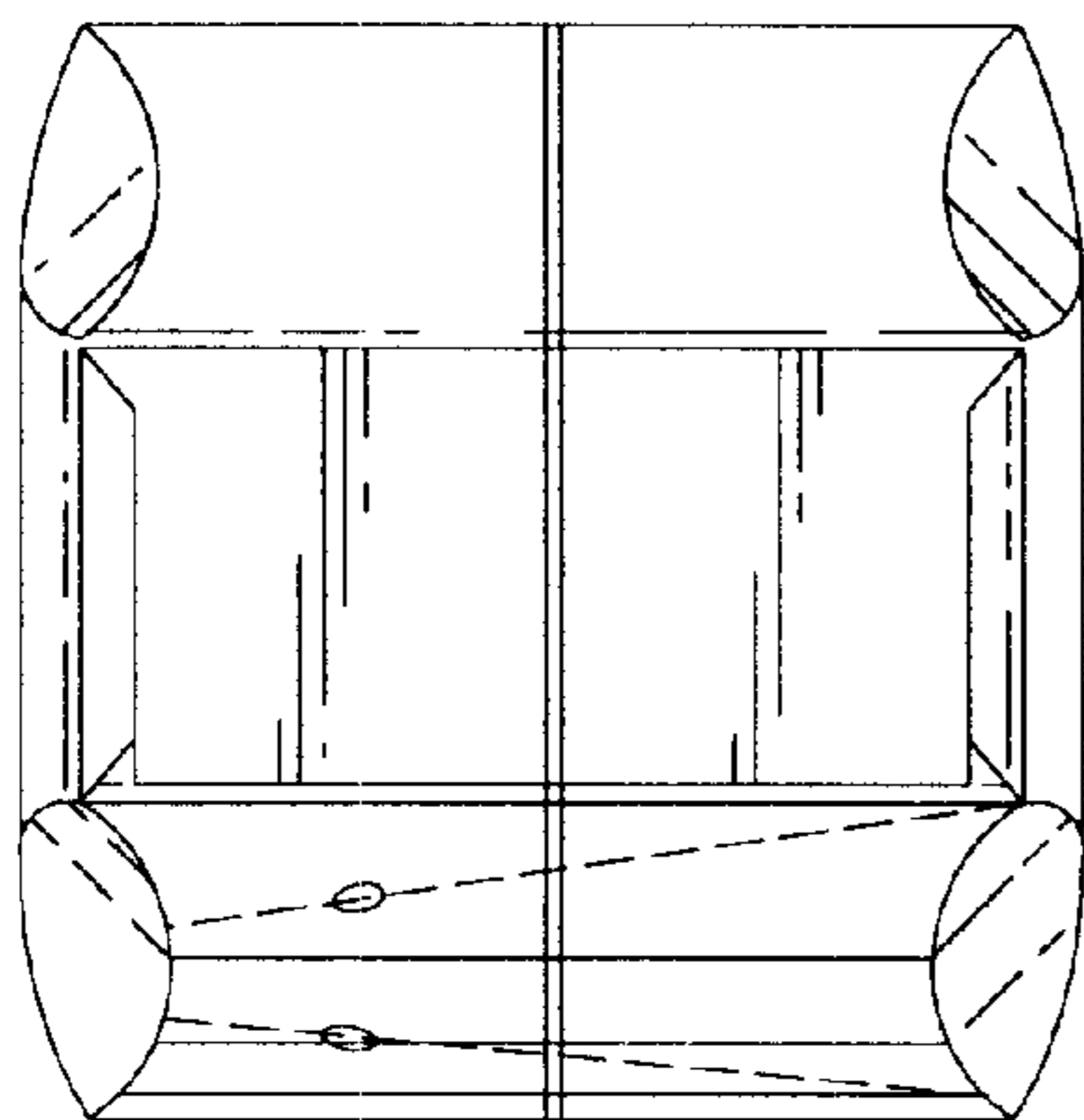


Fig. 4

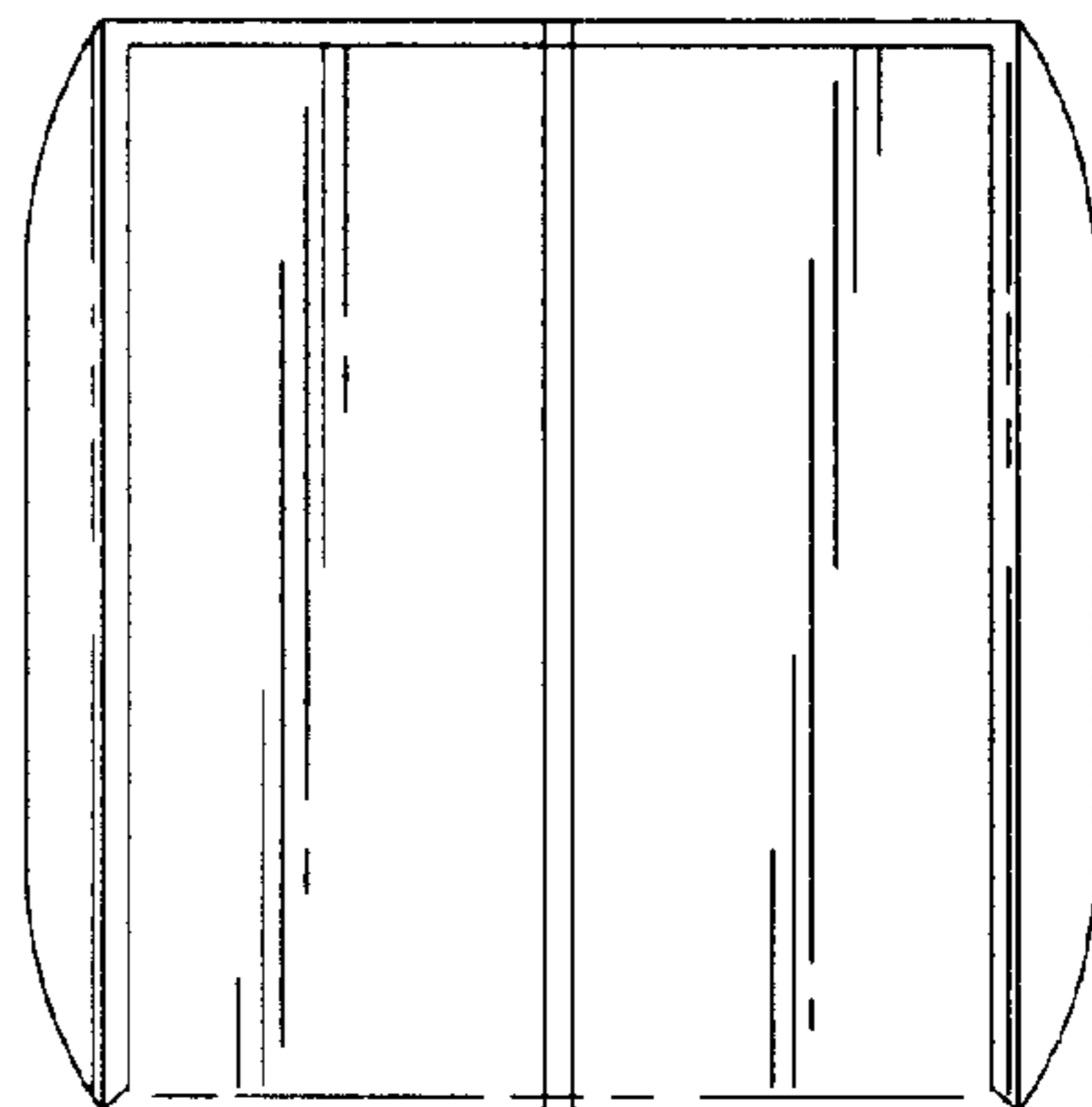


Fig. 5

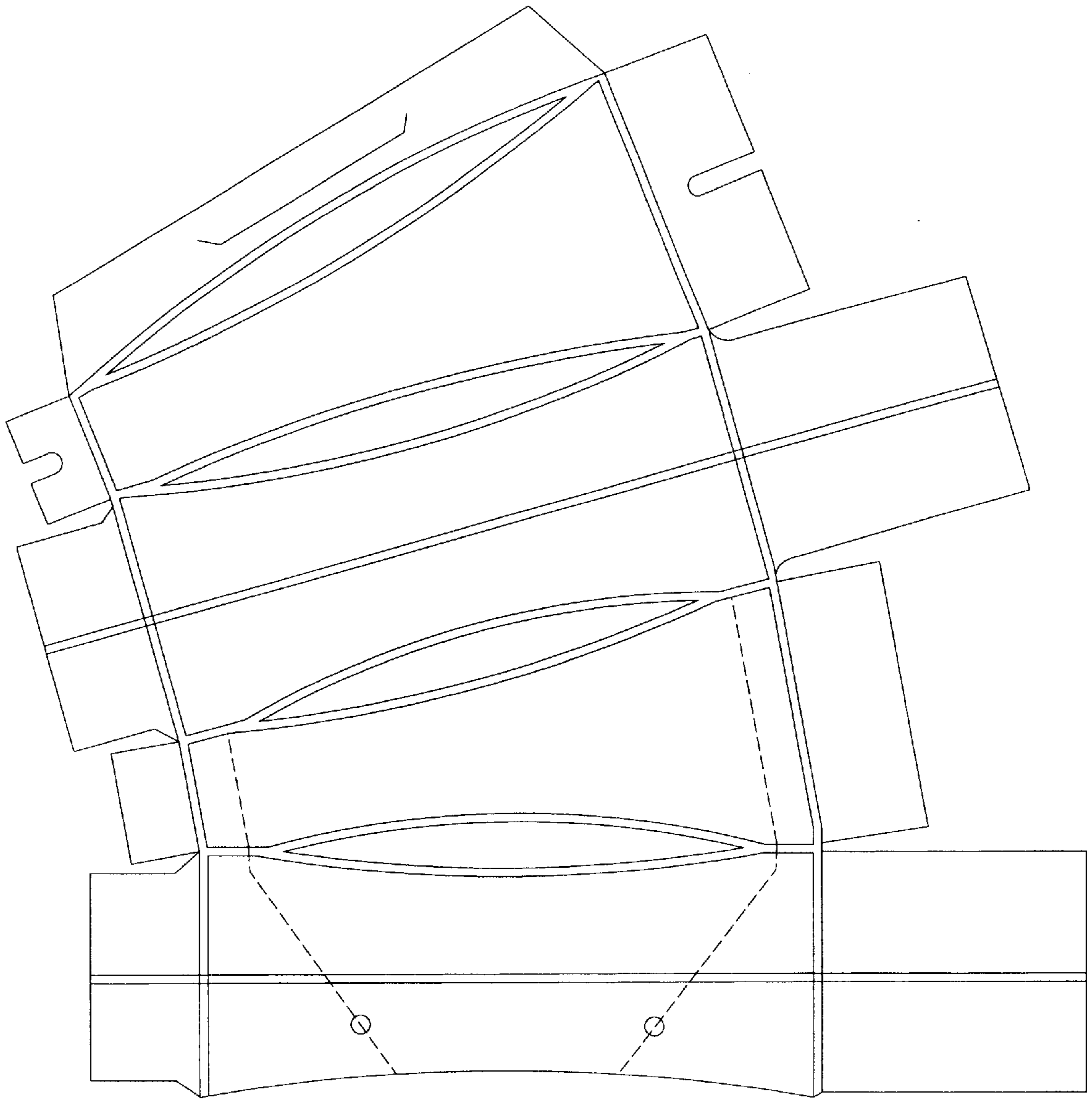


Fig. 6