



US00D460349S

(12) **United States Design Patent**
Rashid

(10) **Patent No.:** **US D460,349 S**

(45) **Date of Patent:** **** Jul. 16, 2002**

(54) **COMBINED BOTTLE AND CAP**

(75) Inventor: **Karim Rashid**, New York, NY (US)

(73) Assignee: **Shiseido Co., Ltd.**, Tokyo (JP)

(**) Term: **14 Years**

(21) Appl. No.: **29/143,769**

(22) Filed: **Jun. 21, 2001**

(51) **LOC (7) Cl.** **09-01**

(52) **U.S. Cl.** **D9/300; D9/561**

(58) **Field of Search** D9/300, 448-500,
D9/517, 560-561, 572; 215/371, 384; 222/153.13,
320, 321.1-321.9, 382, 383.1, 384, 531-534,
556

(56) **References Cited**

U.S. PATENT DOCUMENTS

D211,153 S * 5/1968 Pizzurro D9/300
D236,685 S * 9/1975 Tripp D9/300
D357,625 S * 4/1995 Pascolini D9/300

* cited by examiner

Primary Examiner—Nanda Bondade

(74) *Attorney, Agent, or Firm*—Kanesaka & Takeuchi

(57) **CLAIM**

The ornamental design for a combined bottle and cap, as shown and described.

DESCRIPTION

FIG. 1 is a front view of a combined bottle and cap showing my new design;

FIG. 2 is a rear view thereof;

FIG. 3 is a right side view thereof;

FIG. 4 is a left side view thereof;

FIG. 5 is a top plan view thereof;

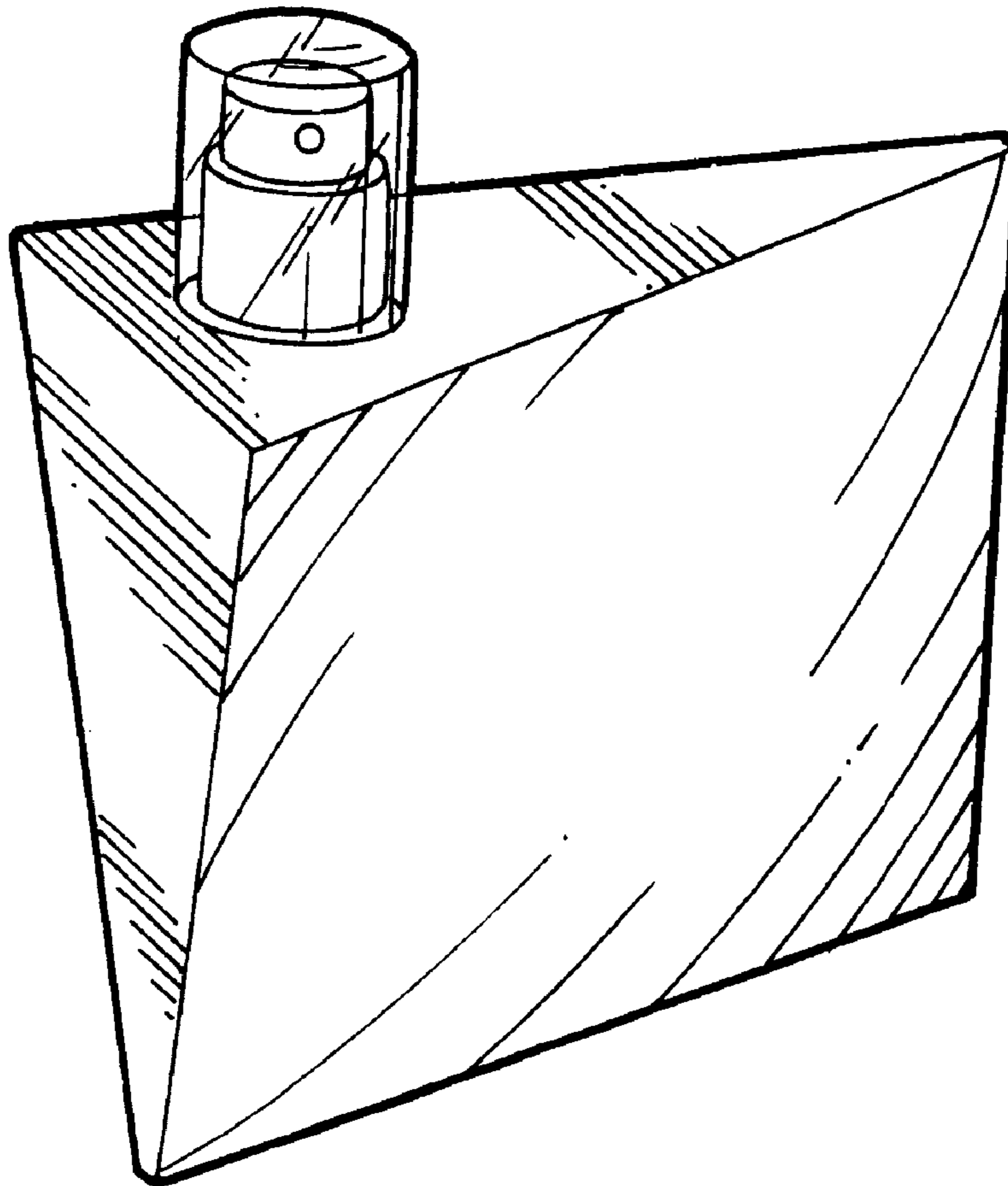
FIG. 6 is a bottom plan view thereof;

FIG. 7 is a cross sectional view taken along line 7—7 in FIG. 1;

FIG. 8 is a cross sectional view taken along line 8—8 in FIG. 1; and,

FIG. 9 is a perspective view thereof.

1 Claim, 4 Drawing Sheets



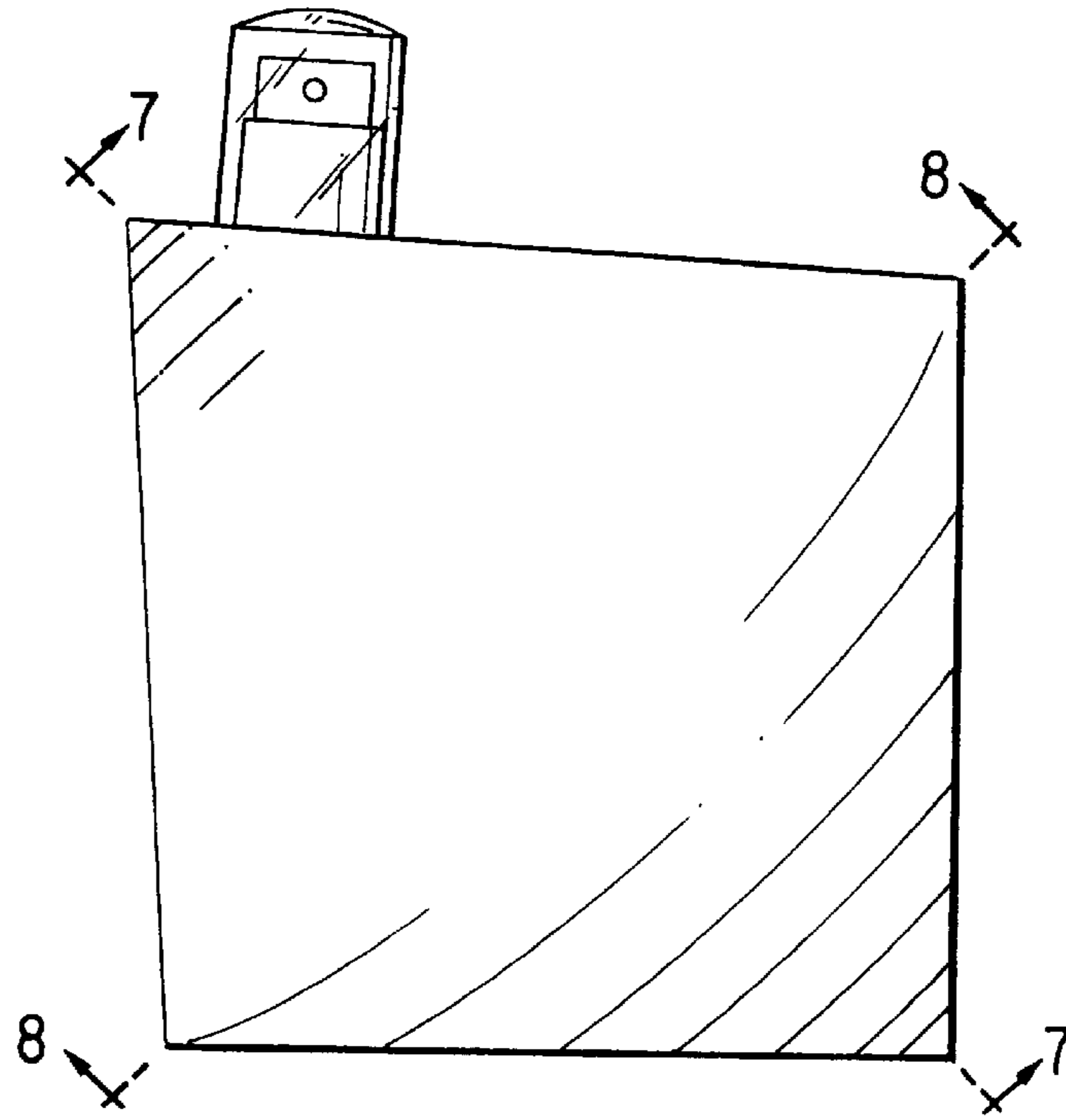


FIG. 1

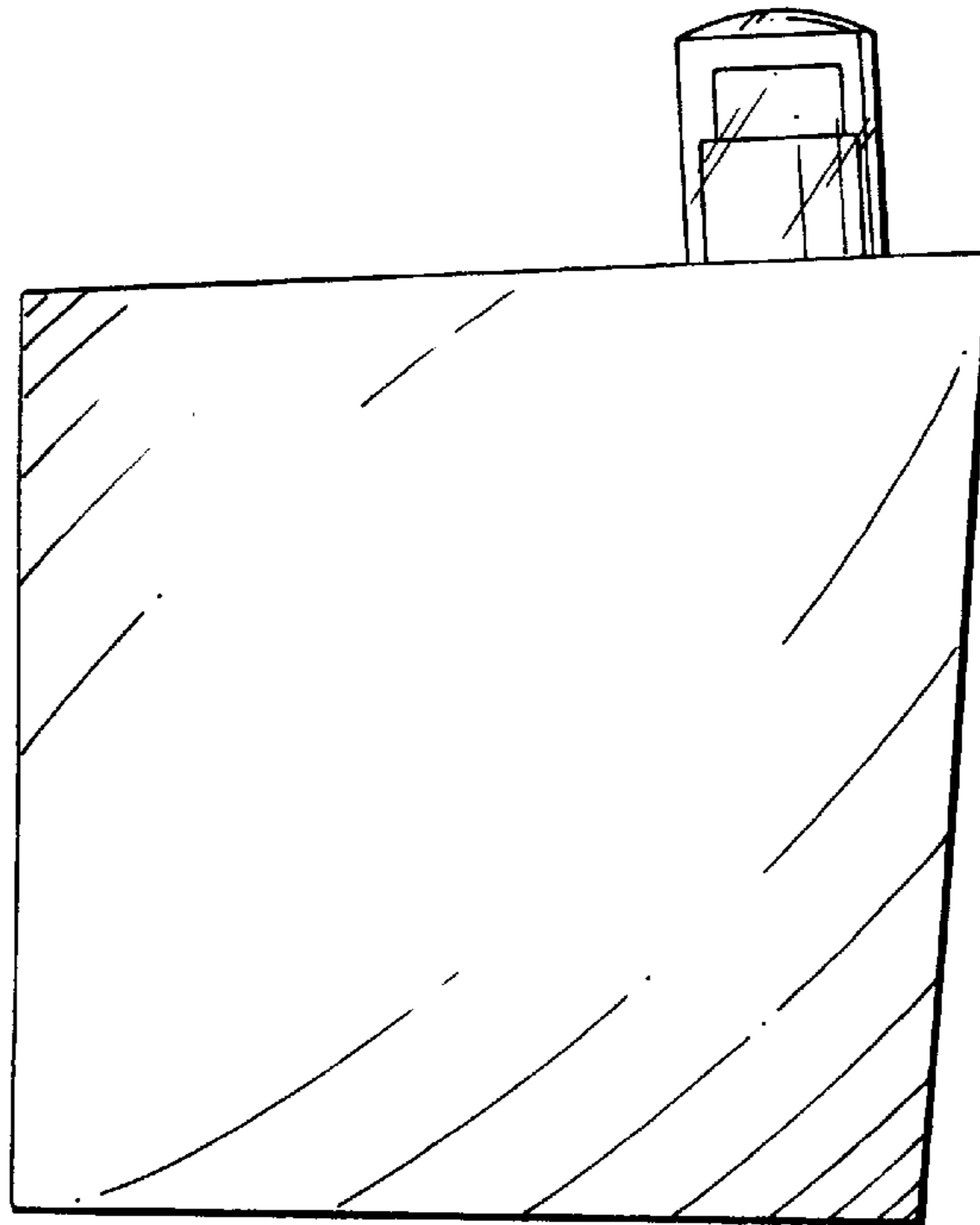


FIG. 2

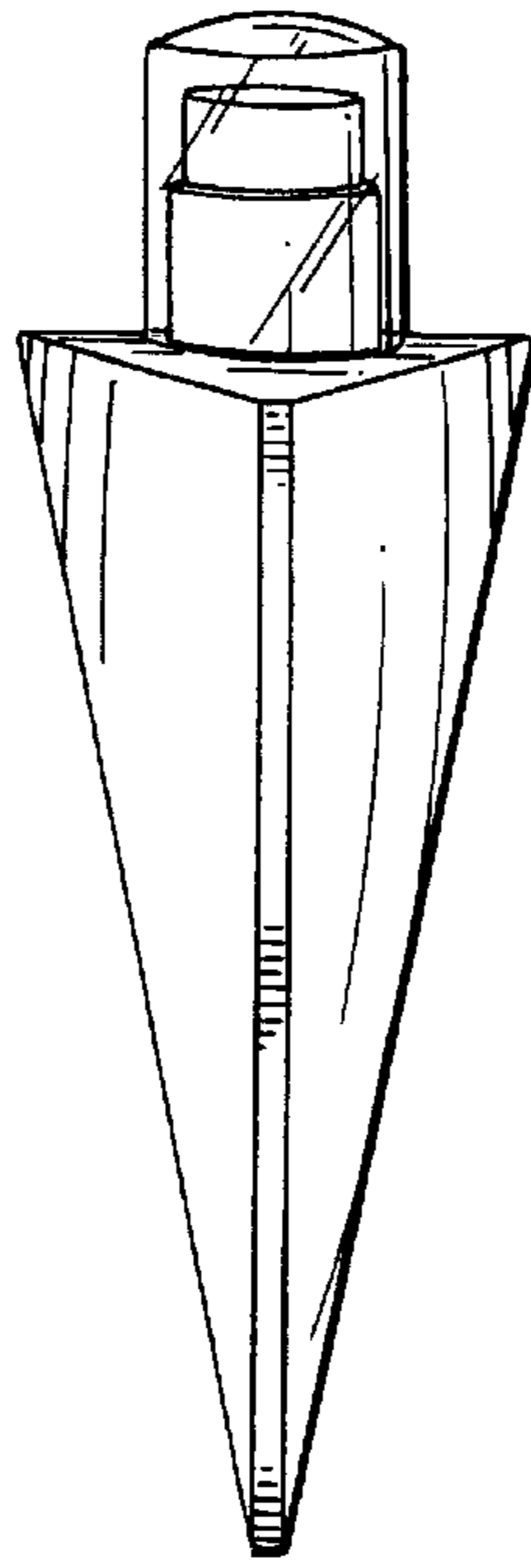


FIG. 3

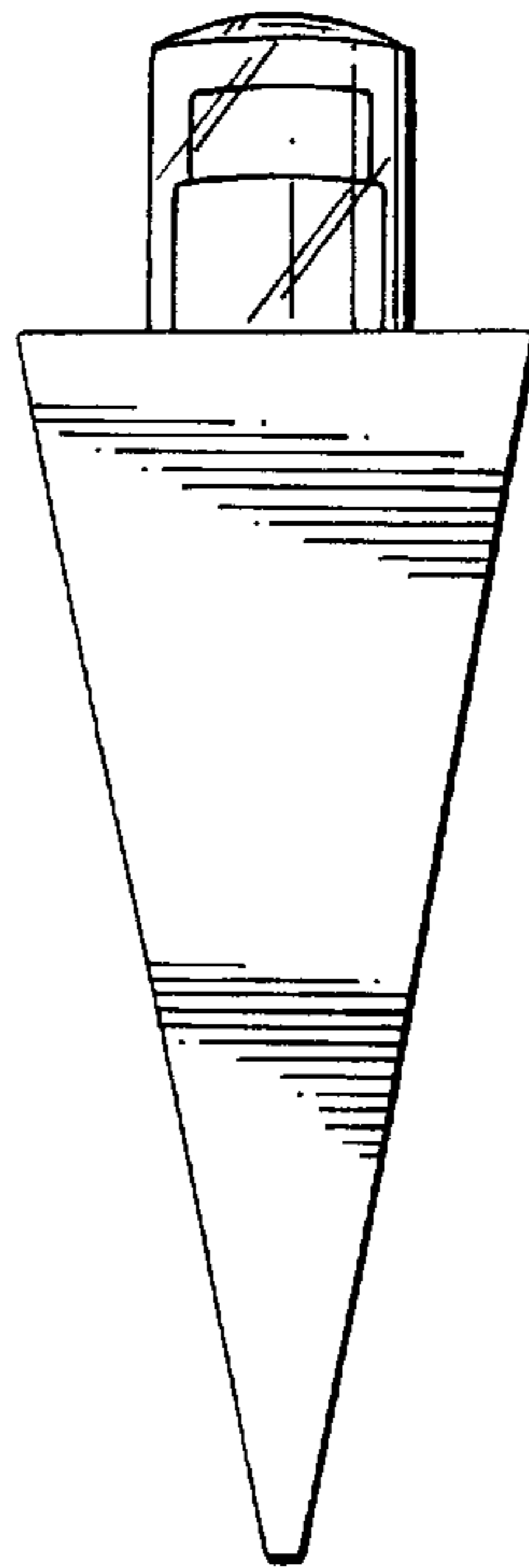


FIG. 4

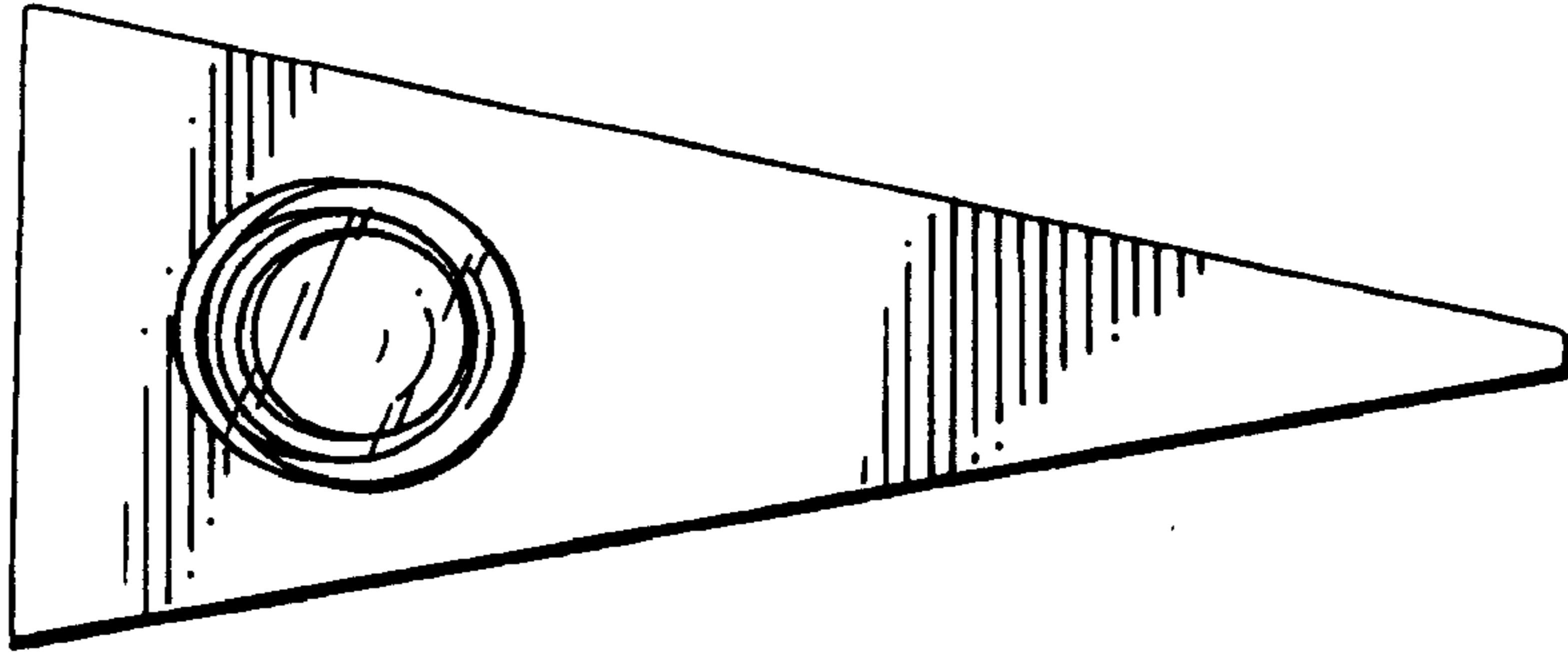


FIG. 5

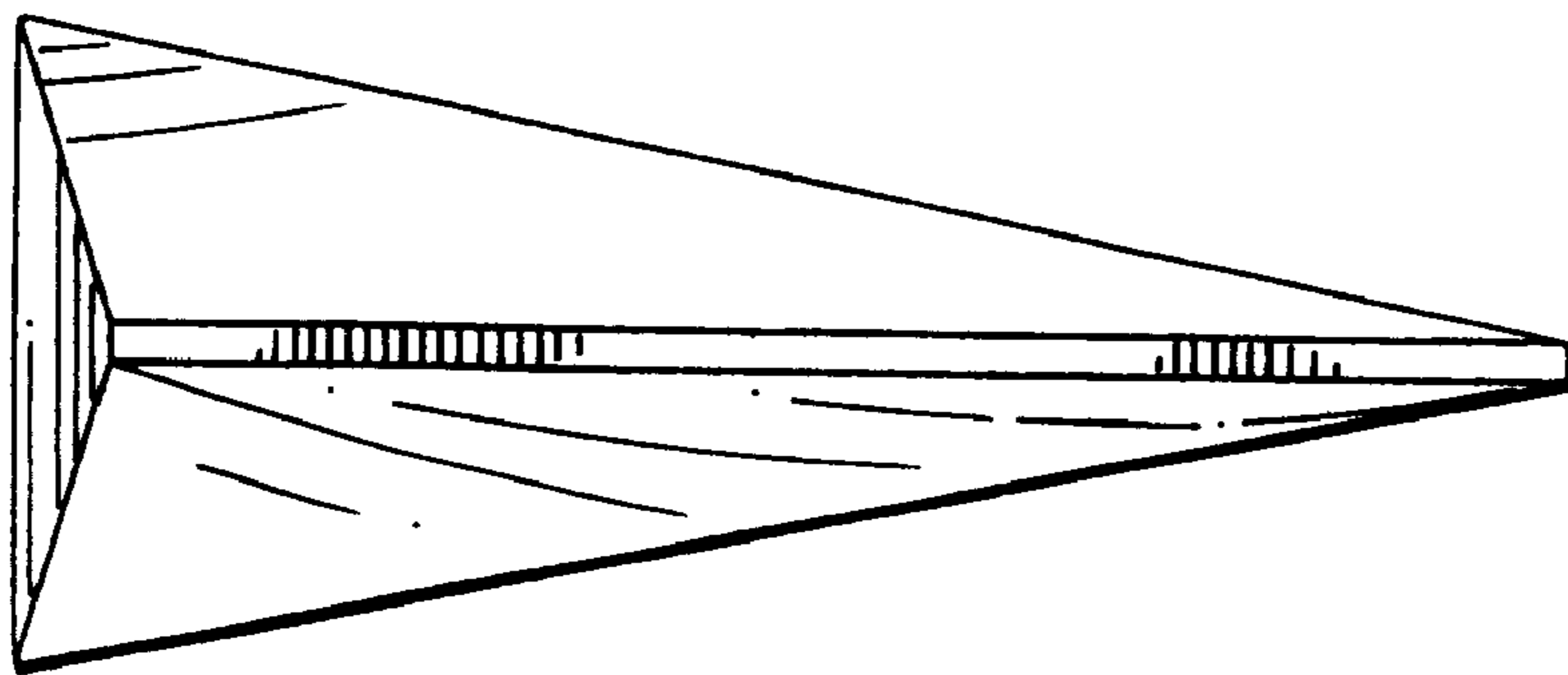


FIG. 6

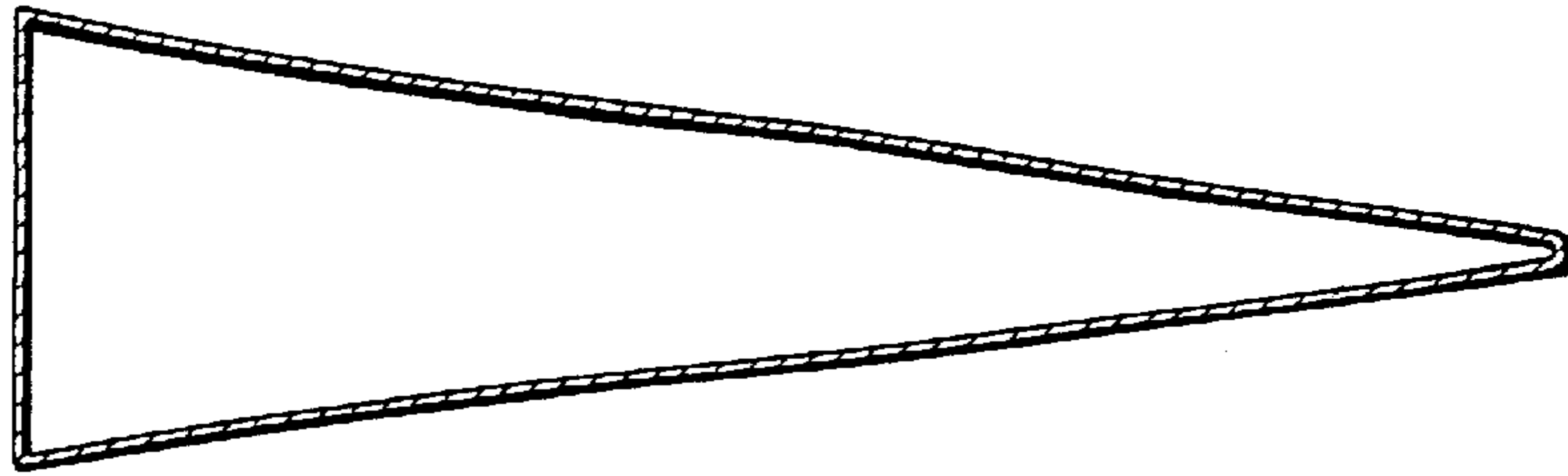


FIG. 7

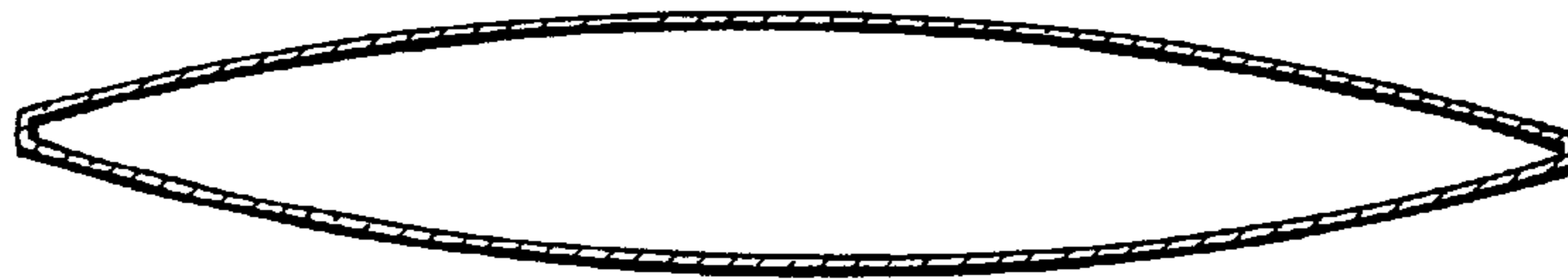


FIG. 8

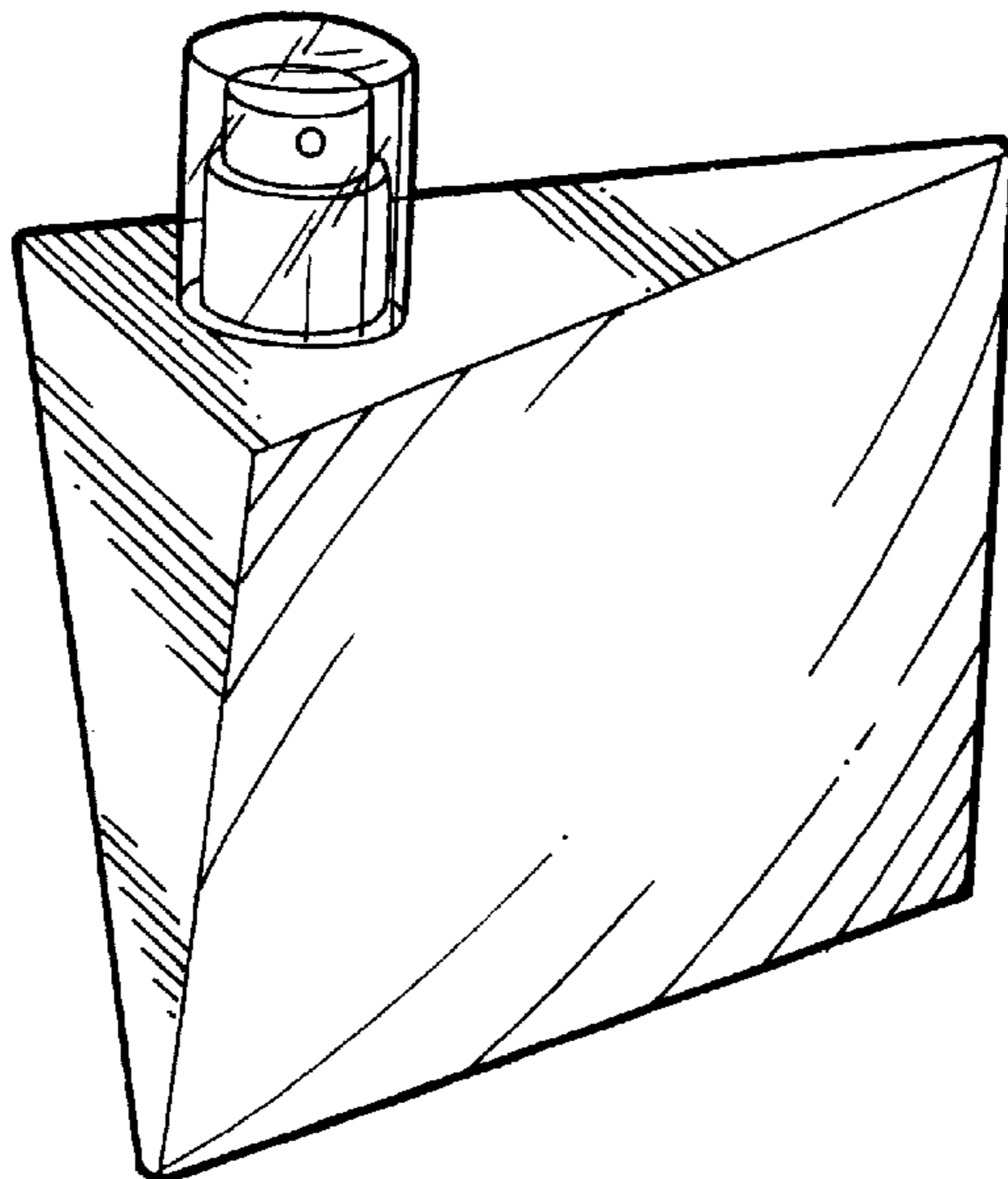


FIG. 9