



US00D460345S

(12) **United States Design Patent**
Screen et al.

(10) **Patent No.:** **US D460,345 S**

(45) **Date of Patent:** **** Jul. 16, 2002**

(54) **CASTER WITH BRAKE**

Primary Examiner—Pamela Burgess

(75) Inventors: **Stafford Screen**, Stourbridge; **Kelvin Daniels**, Kings Lynn, both of (GB)

(57) **CLAIM**

The ornamental design for a caster with brake, as shown and described.

(73) Assignee: **Guy-Raymond Engineering Company Limited**, King's Lynn (GB)

(**) Term: **14 Years**

DESCRIPTION

(21) Appl. No.: **29/129,257**

FIG. 1 is a top plan view of the caster with brake (engaged) in accordance with the present invention;

(22) Filed: **Sep. 12, 2000**

FIG. 2 is a bottom plan view of the caster with brake (engaged) shown in FIG. 1;

(51) **LOC (7) Cl.** **08-05**

FIG. 3 is a side elevational view of the caster with brake (engaged) shown in FIG. 1;

(52) **U.S. Cl.** **D8/375**

(58) **Field of Search** D8/375; D12/133;
16/44-47, 21, 25, 26, 16 R, 18 R; 301/5.23;
280/87.041, 87.051, 87.05

FIG. 4 is a front elevational view of the caster with brake (engaged) shown in FIG. 1;

FIG. 5 is a rear elevational view of the caster with brake (engaged) shown in FIG. 1;

(56) **References Cited**

U.S. PATENT DOCUMENTS

D310,622 S	*	9/1990	Screen	D8/375
D313,342 S	*	1/1991	Screen	D8/375
D329,011 S	*	9/1992	Block	D8/375
D340,182 S	*	10/1993	Soltani	D8/345
D343,788 S	*	2/1994	Soltani	D8/375
D345,689 S	*	4/1994	Morooka	D8/375

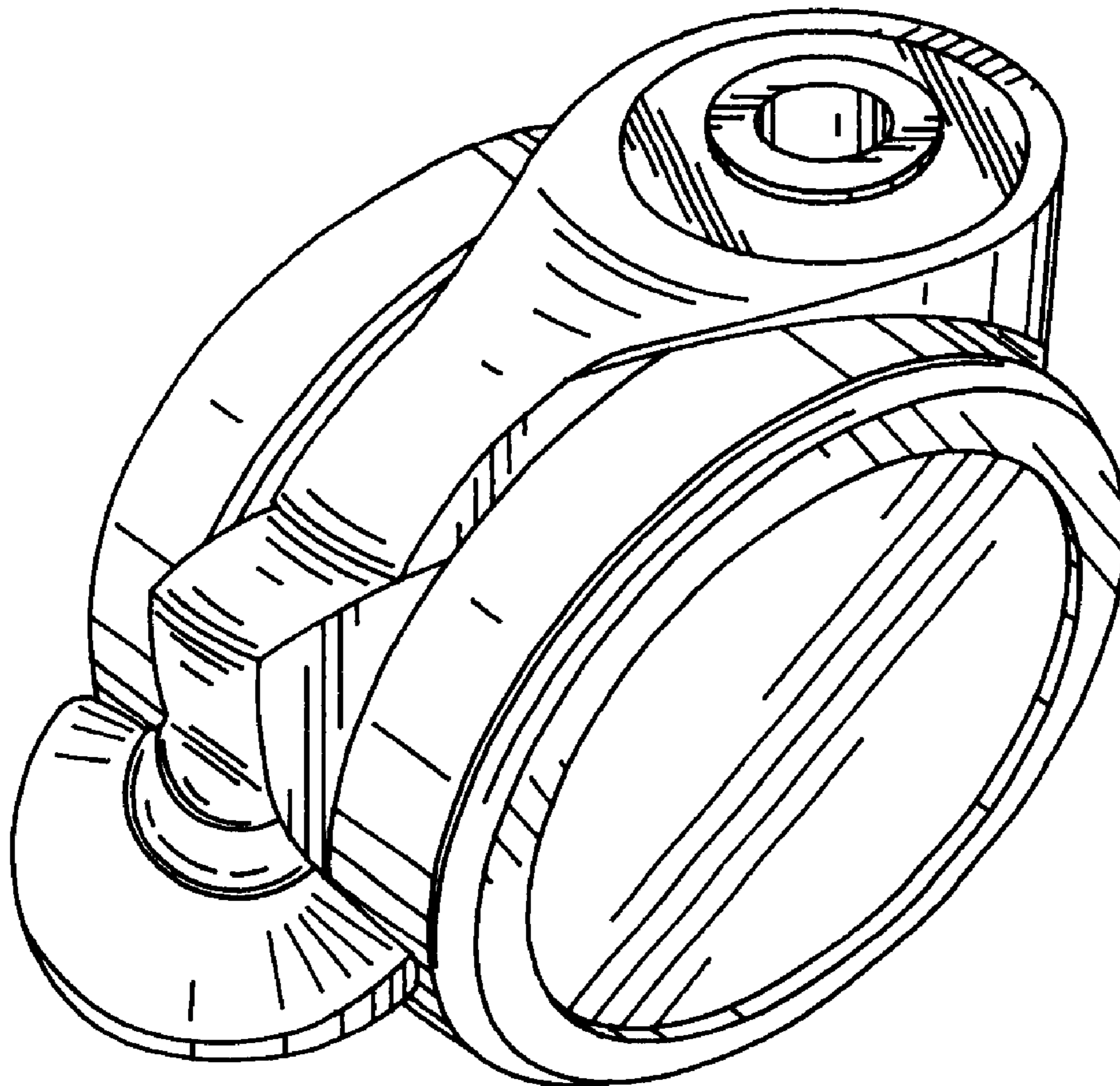
FIG. 6 is a perspective view of the caster with brake (engaged) shown in FIG. 1;

FIG. 7 is another perspective view of the caster with brake (disengaged) shown in FIG. 1; and,

FIG. 8 is yet another perspective view of the caster with brake (disengaged) shown in FIG. 1.

* cited by examiner

1 Claim, 3 Drawing Sheets



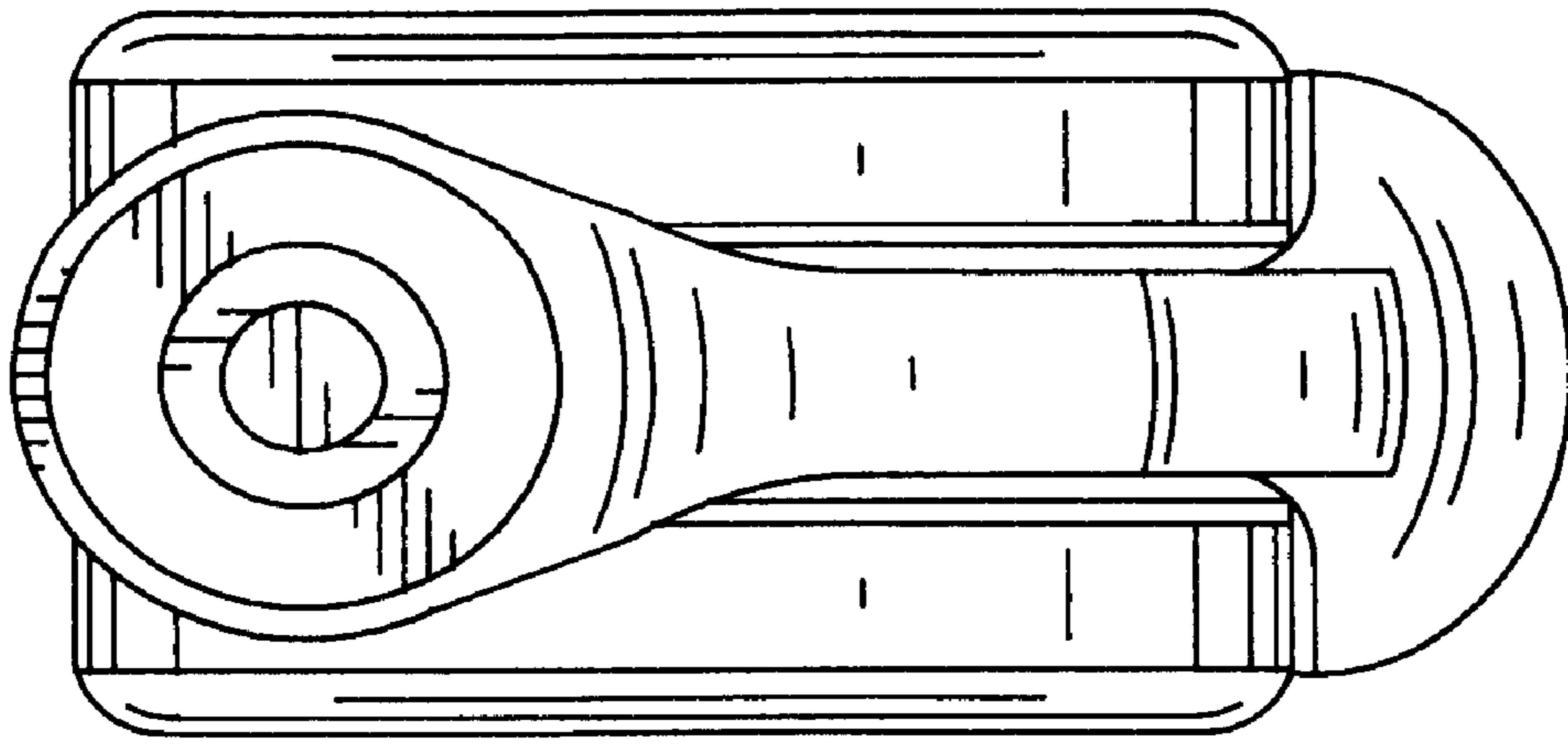


FIG. 1

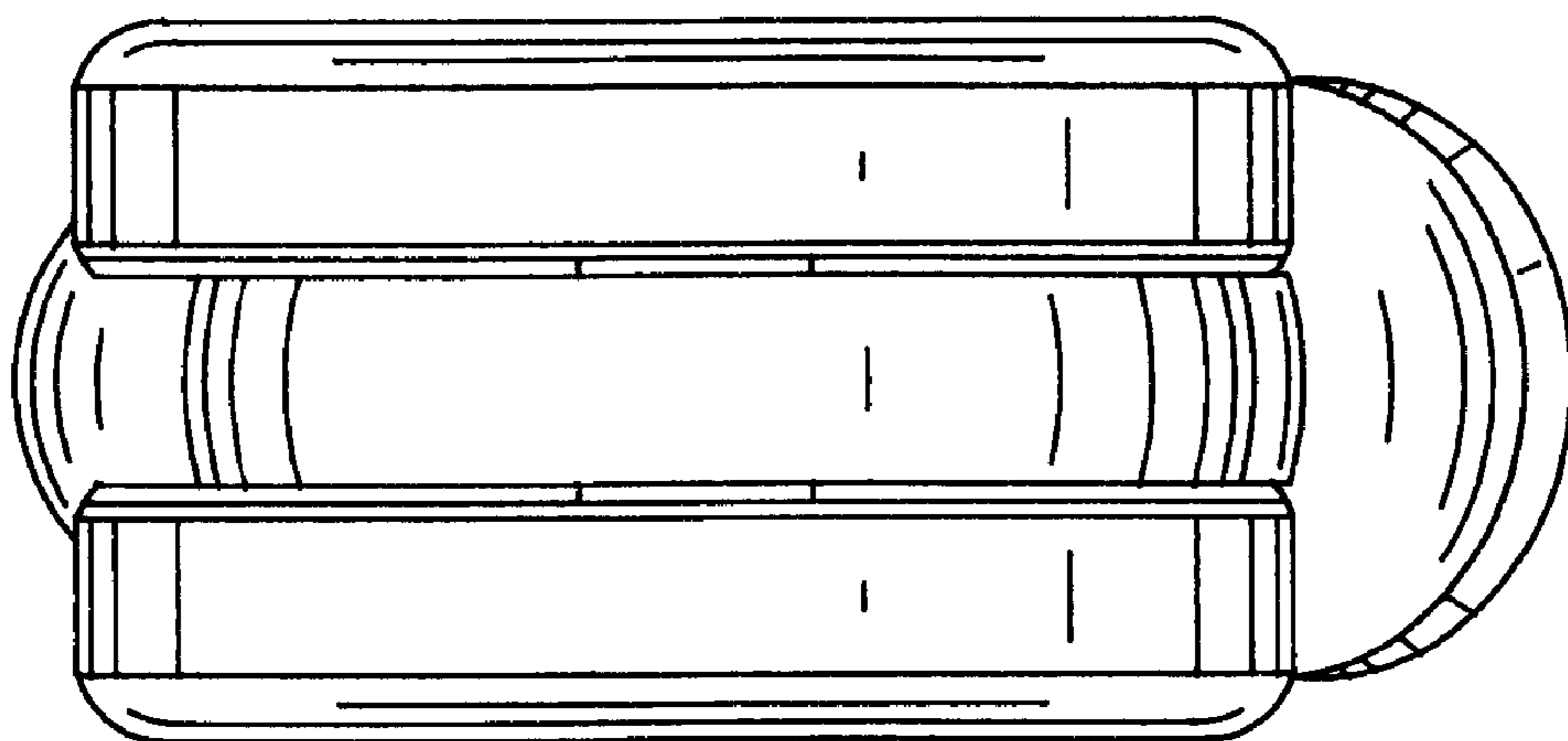


FIG. 2

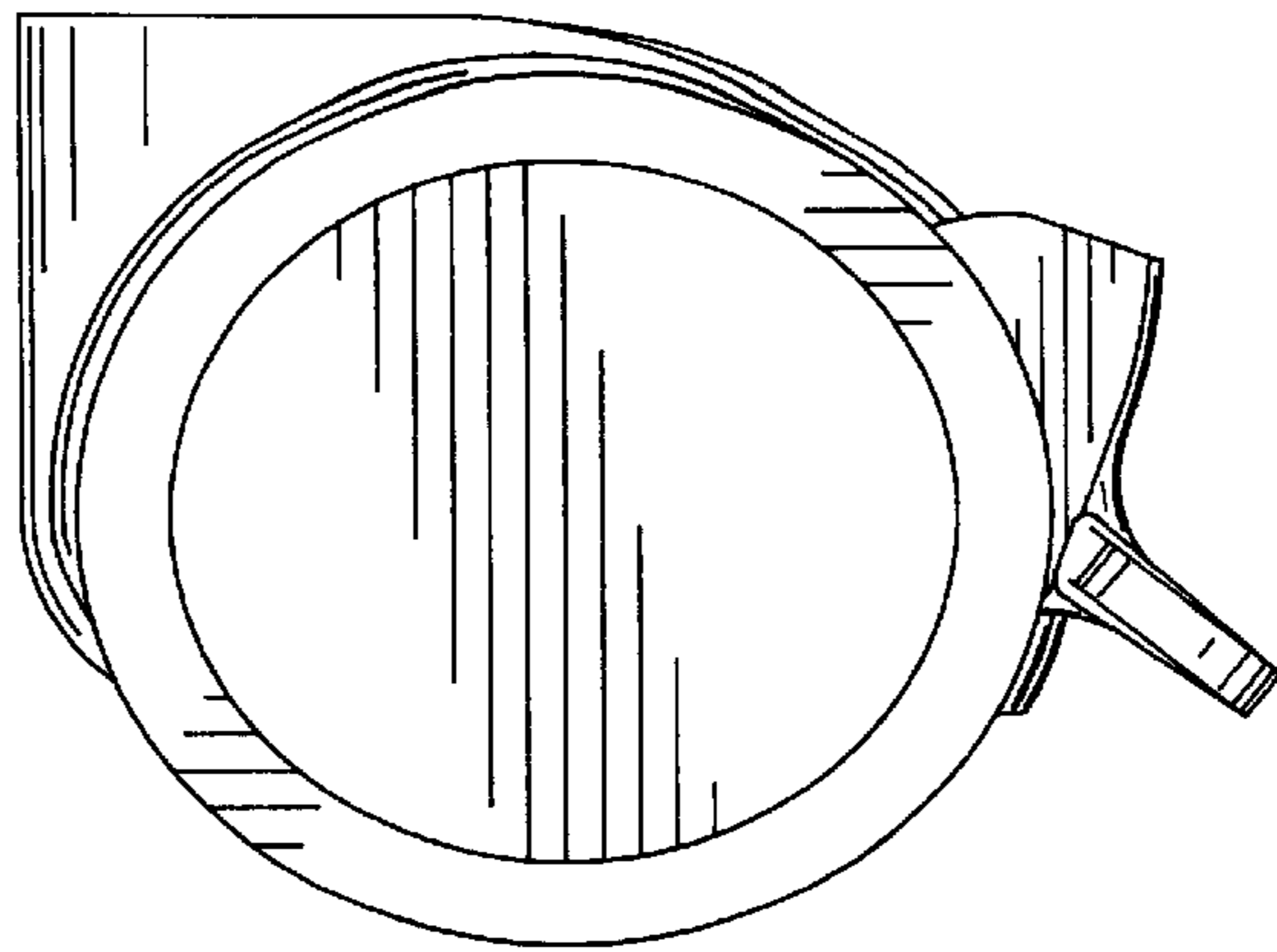


FIG. 3

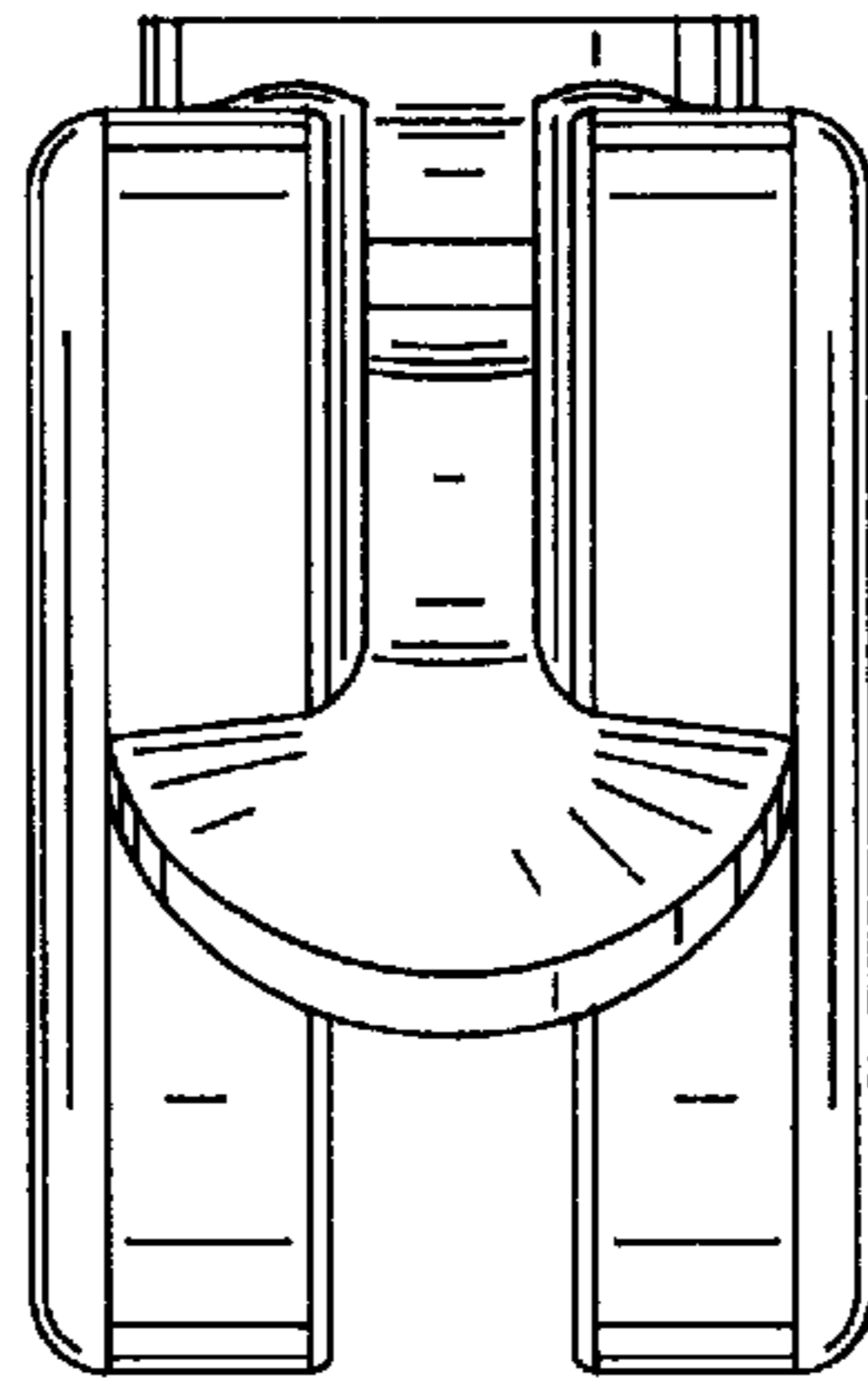


FIG. 4

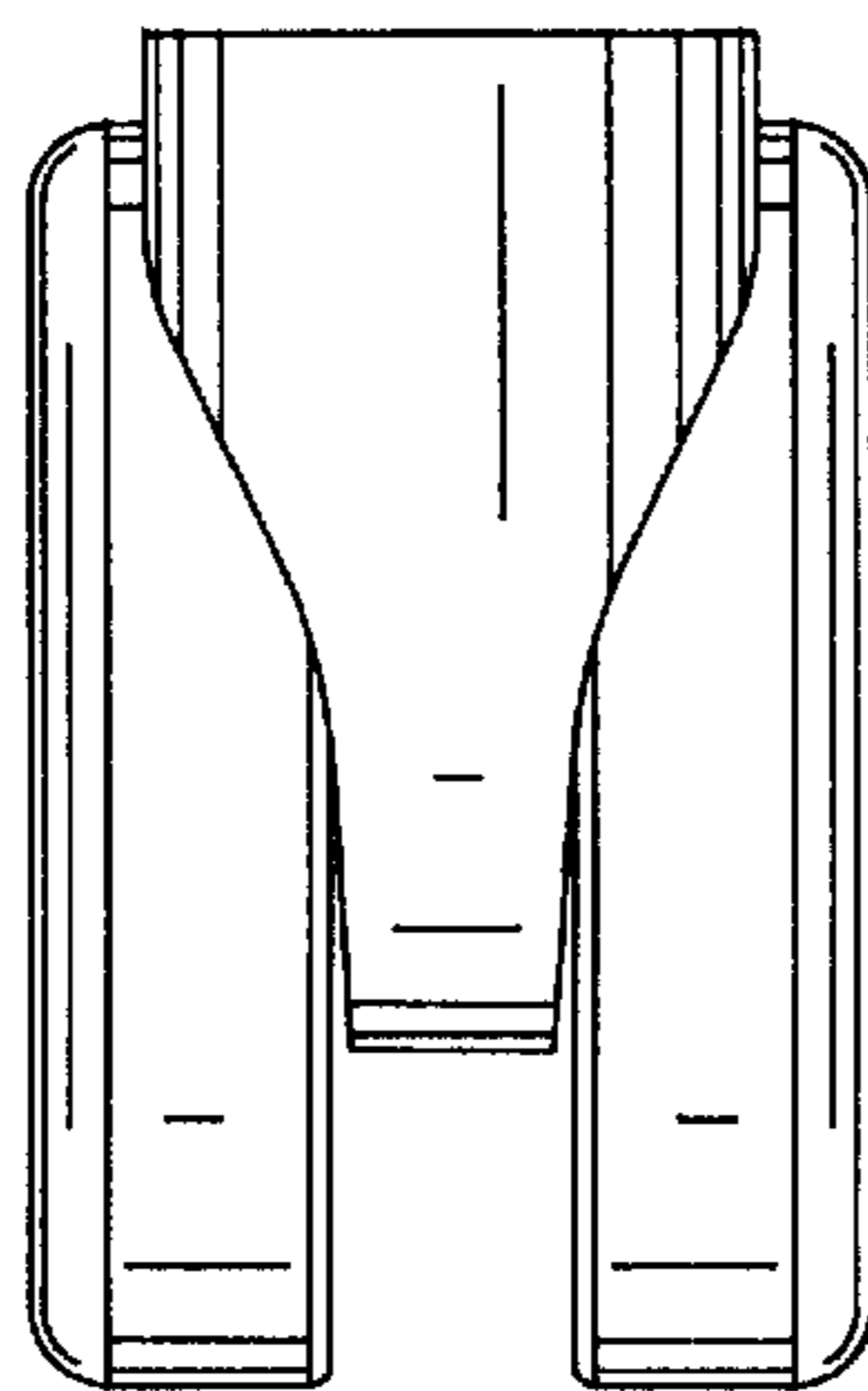


FIG. 5

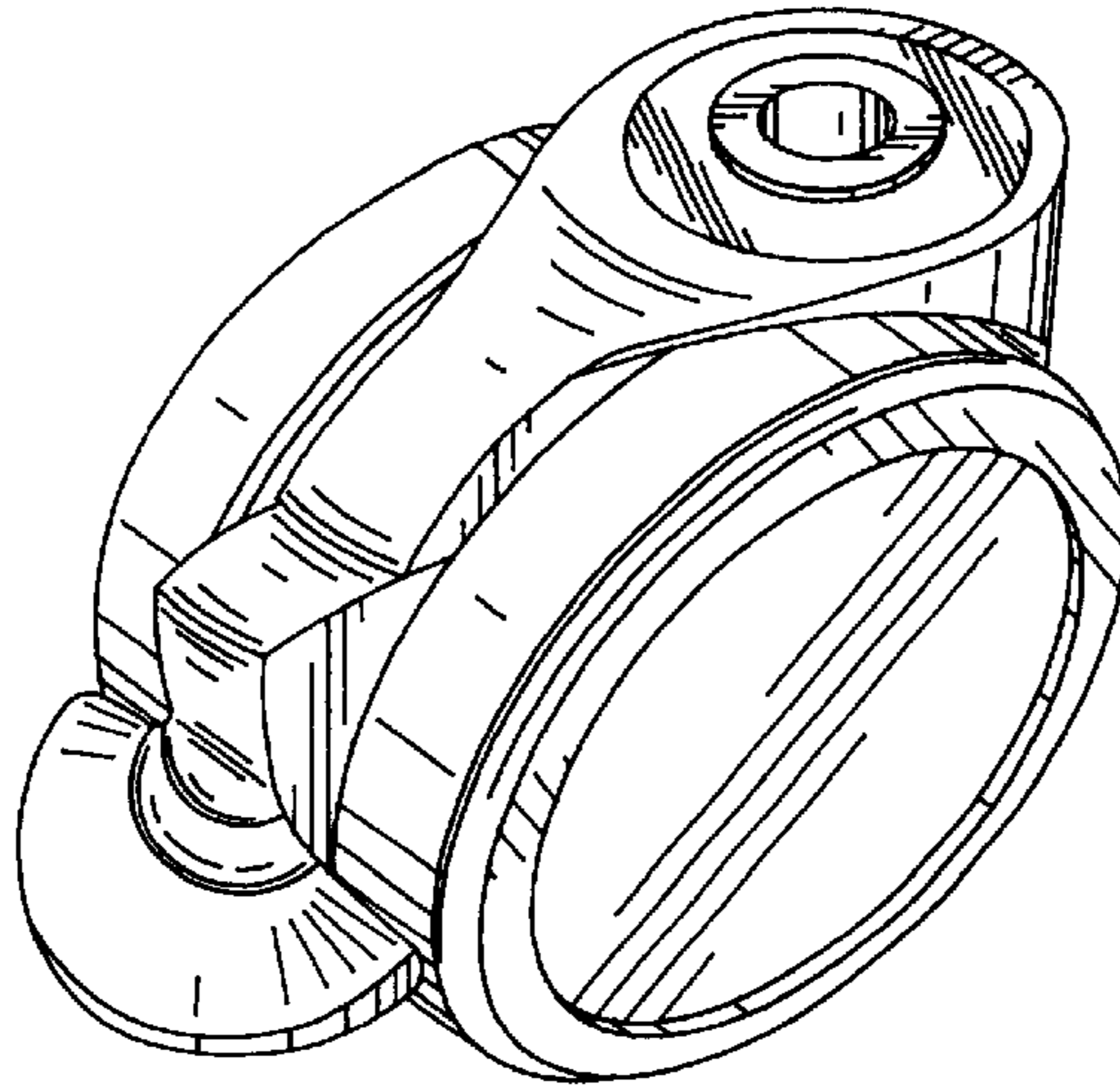


FIG. 6

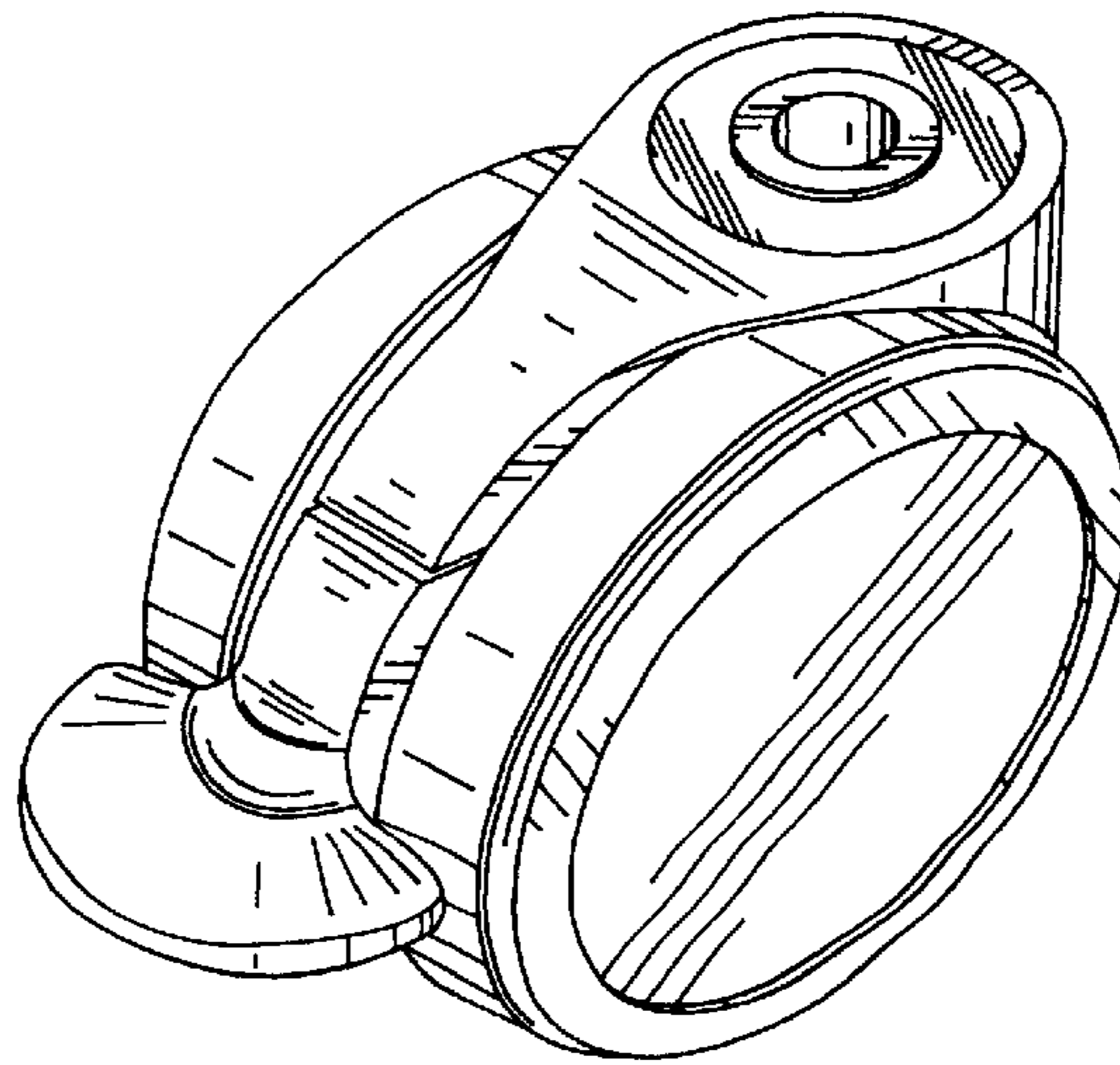


FIG. 7

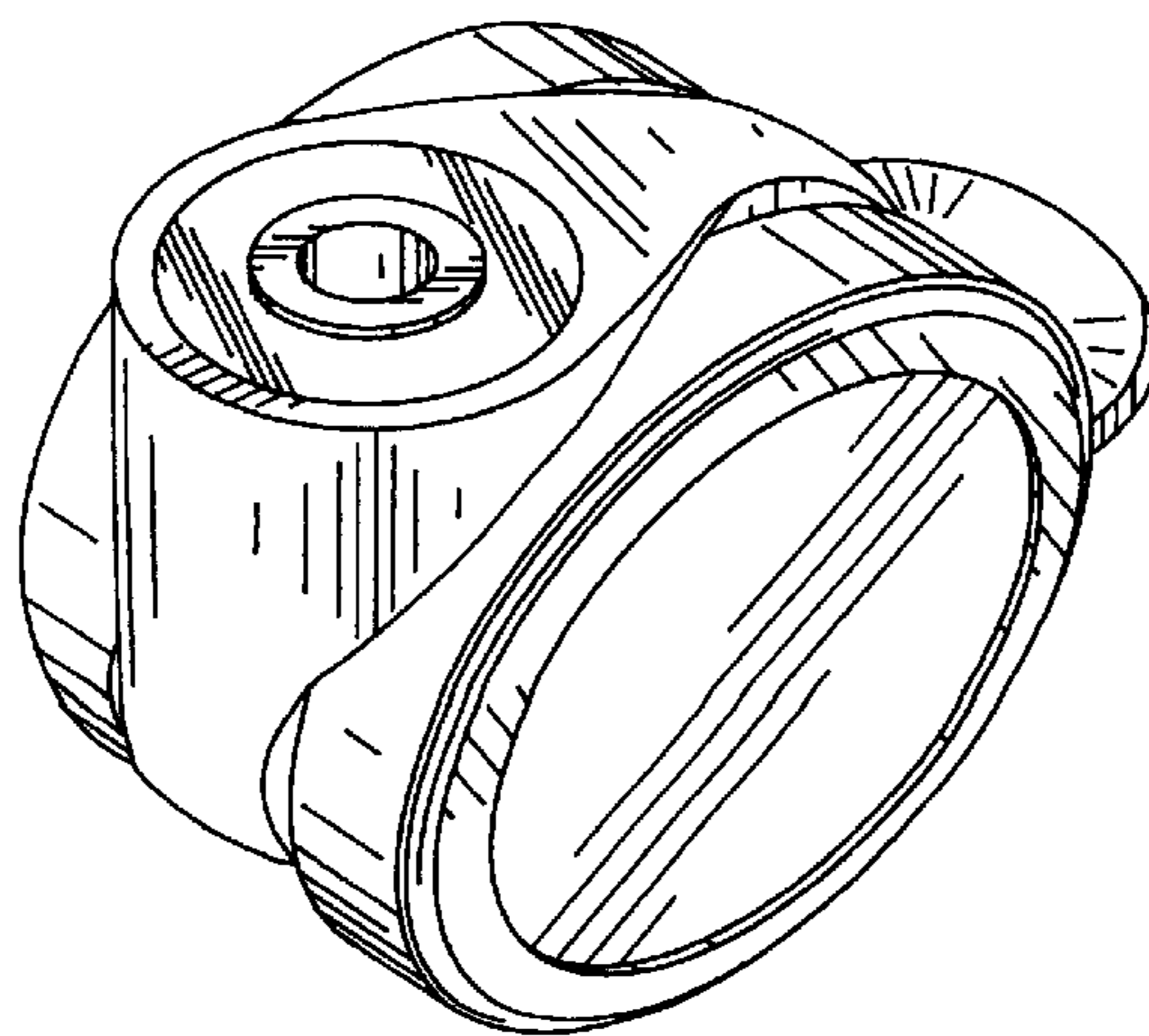


FIG. 8