



US00D460343S

(12) **United States Design Patent**
Spear et al.

(10) **Patent No.:** **US D460,343 S**

(45) **Date of Patent:** **** Jul. 16, 2002**

(54) **HOSE REEL CARRIER**

(75) Inventors: **Kenneth J. Spear**, Vienna, WV (US);
Steven F. Brooker, Marietta, OH (US);
Bryan Ritchie, Davisville, WV (US)

(73) Assignee: **Ames True Temper, Inc.**, Camp Hill,
PA (US)

(**) Term: **14 Years**

(21) Appl. No.: **29/138,454**

(22) Filed: **Mar. 15, 2001**

(51) **LOC (7) Cl.** **08-05**

(52) **U.S. Cl.** **D8/359**

(58) **Field of Search** D8/349, 354, 356,
D8/357, 358, 359; 191/12.2 R; 206/389;
239/195; 242/118, 118.4, 118.6, 118.62,
128, 129, 129.5, 129.51, 129.6, 129.62,
134, 137, 395, 398, 403, 403.1, 405, 405.1,
405.2, 405.3, 407

(56) **References Cited**

U.S. PATENT DOCUMENTS

D312,204 S * 11/1990 Nelson D8/358

D317,113 S * 5/1991 Fowler D8/358
D390,093 S * 2/1998 Spear et al. D8/358
5,934,598 A * 8/1999 Kovacik et al. 242/395
5,988,552 A * 11/1999 Tisbo et al. 137/355.26
RE37,442 E * 11/2001 Spear et al. 137/355.27

* cited by examiner

Primary Examiner—Doris V. Coles

Assistant Examiner—Elizabeth A. Albert

(74) *Attorney, Agent, or Firm*—Pillsbury Winthrop LLP

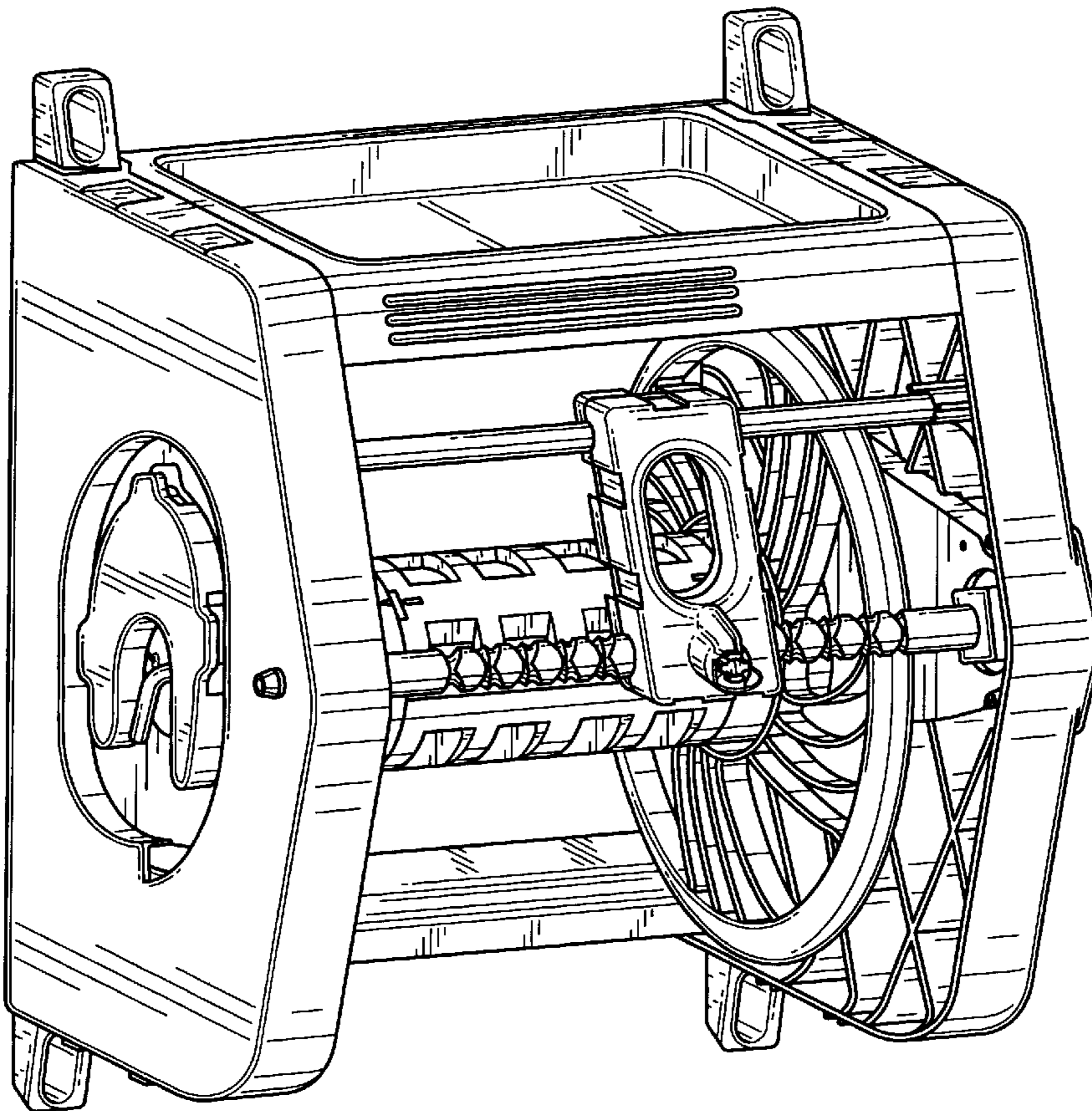
(57) **CLAIM**

The ornamental design for a hose reel carrier, as shown and described.

DESCRIPTION

FIG. 1 is a perspective view of the hose reel carrier of our invention;
FIG. 2 is a front view in elevation;
FIG. 3 is a rear view in elevation;
FIG. 4 is a top plan view;
FIG. 5 is a bottom plan view;
FIG. 6 is an elevational view of one side; and,
FIG. 7 is a side view of the opposite side as that shown in FIG. 6.

1 Claim, 7 Drawing Sheets



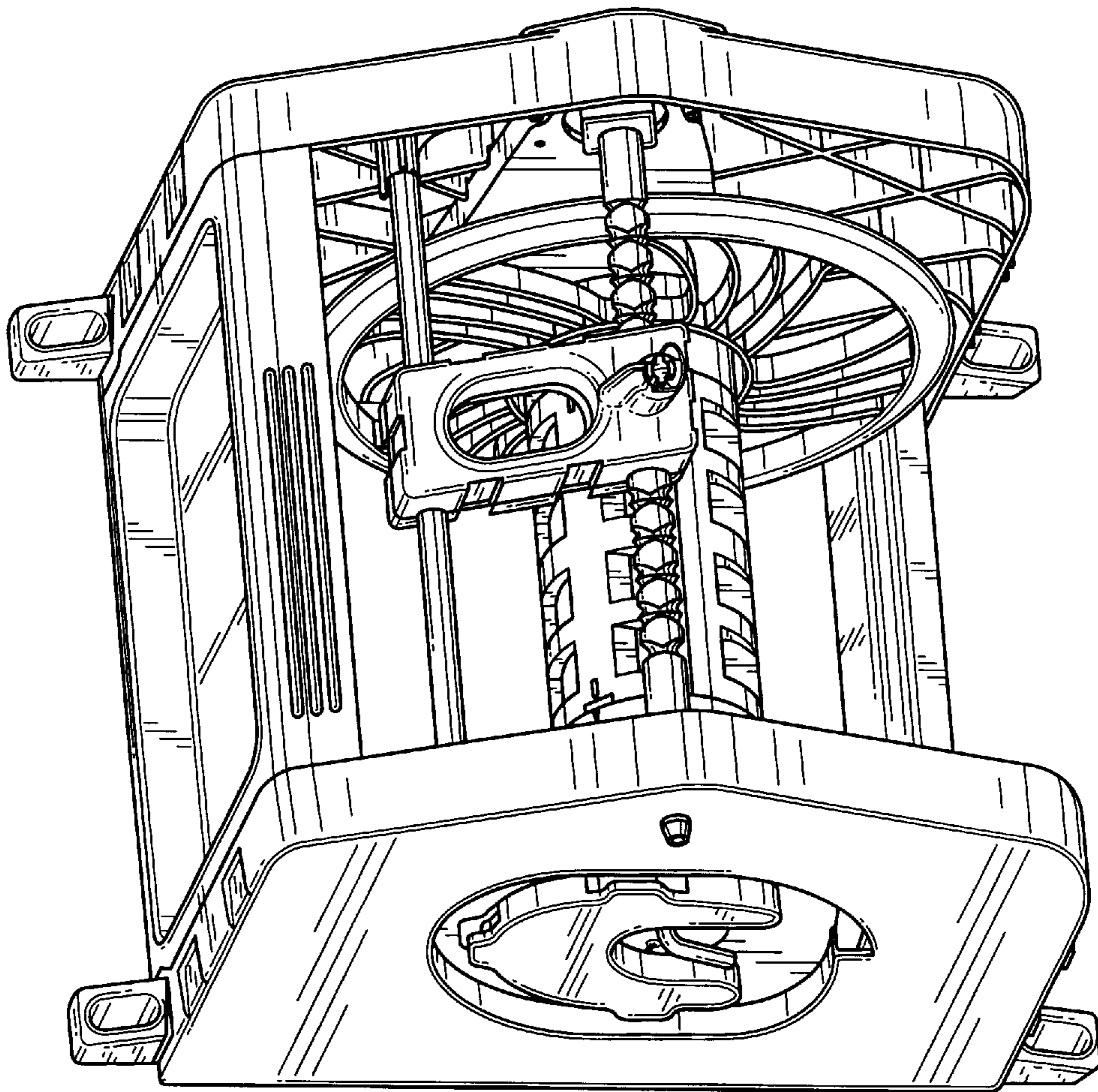


FIG. 1

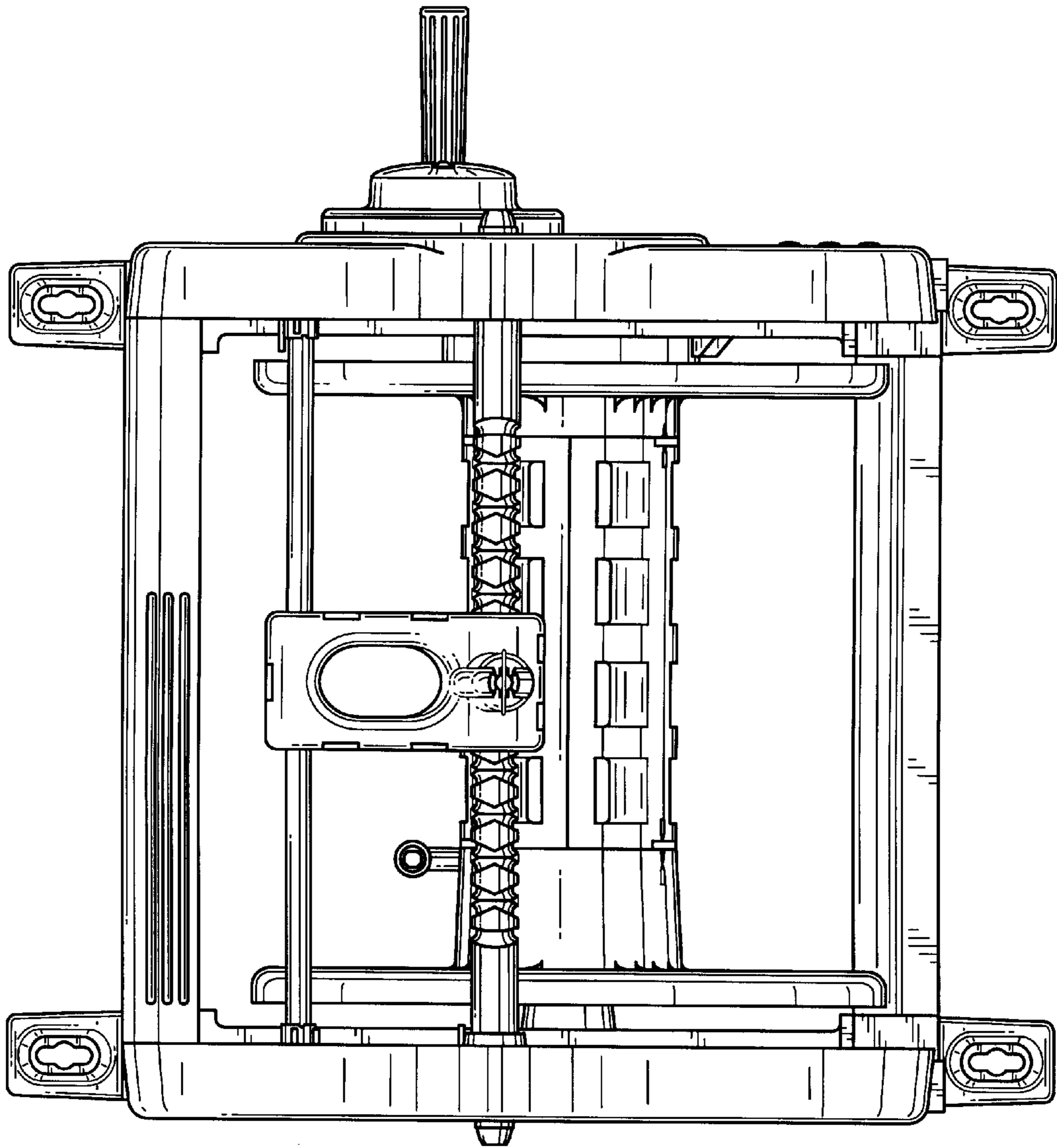


FIG. 2

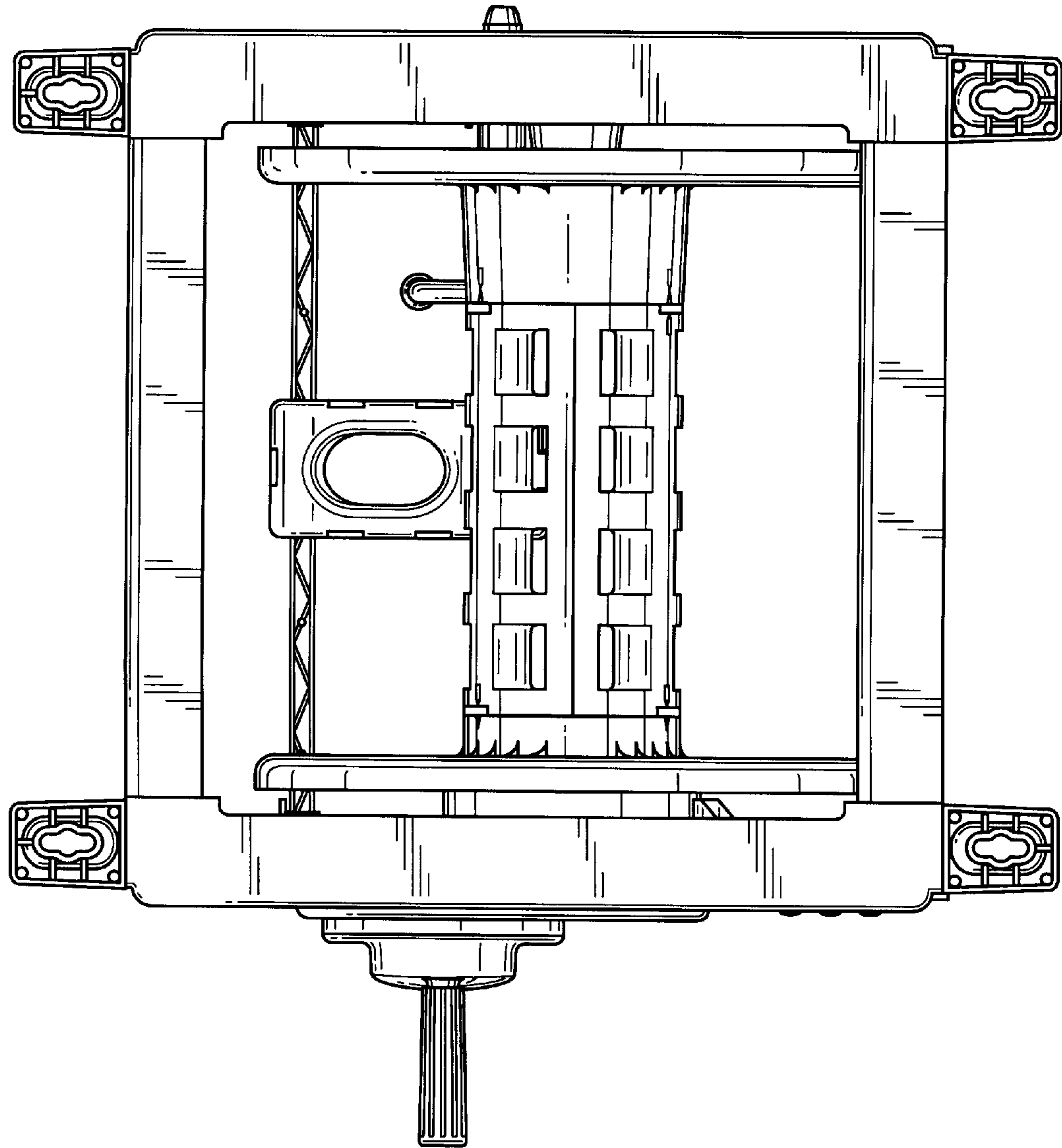


FIG. 3

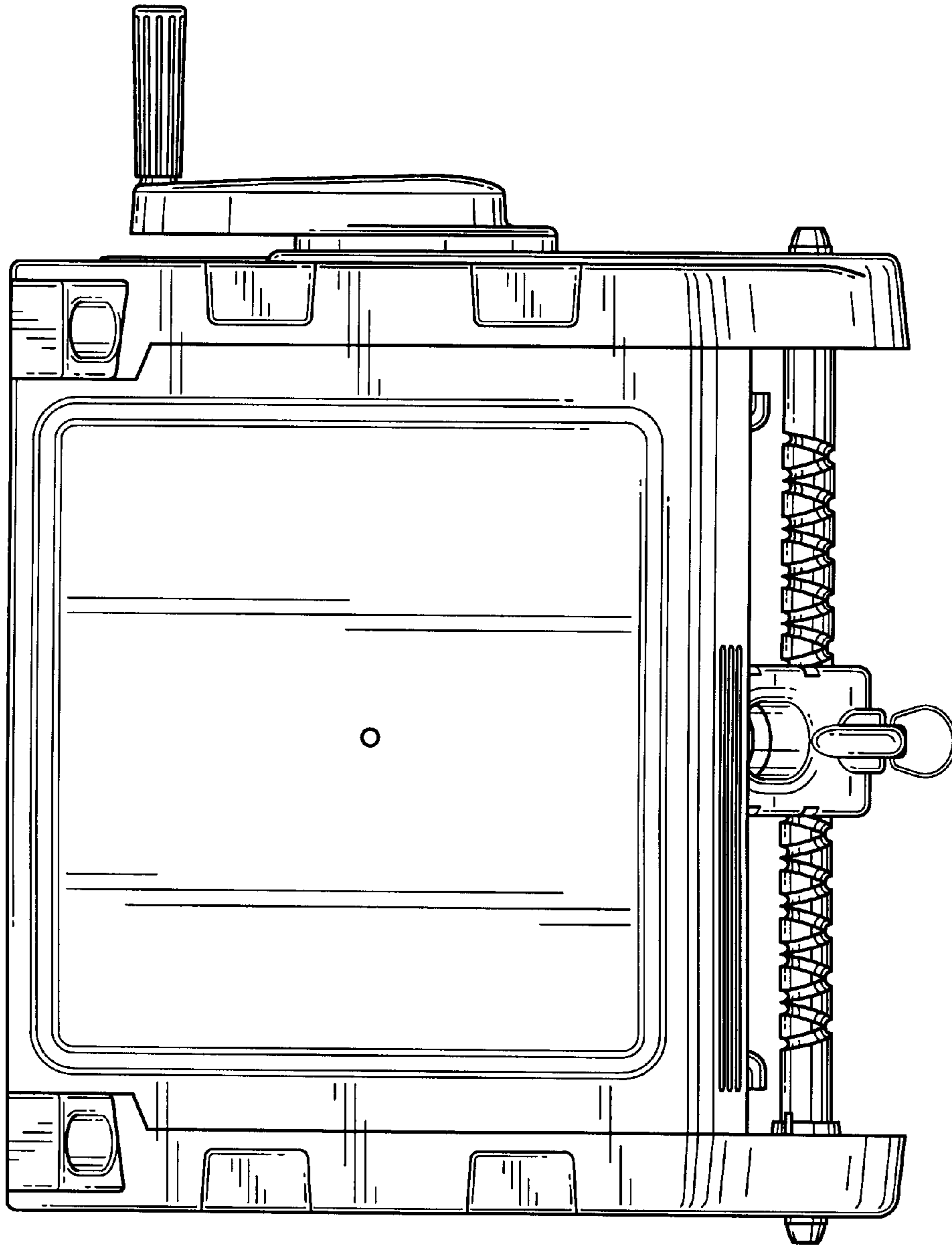


FIG. 4

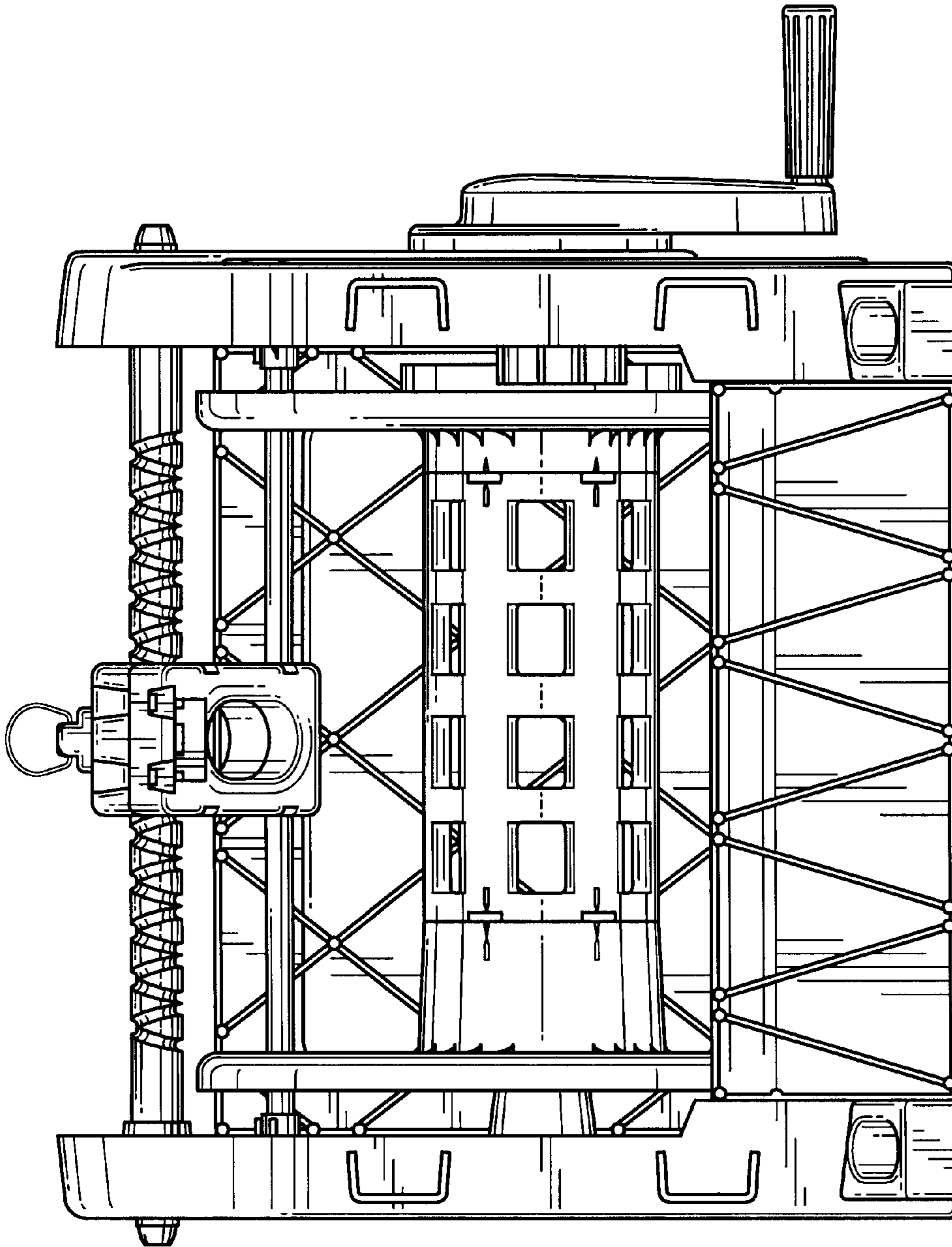


FIG. 5

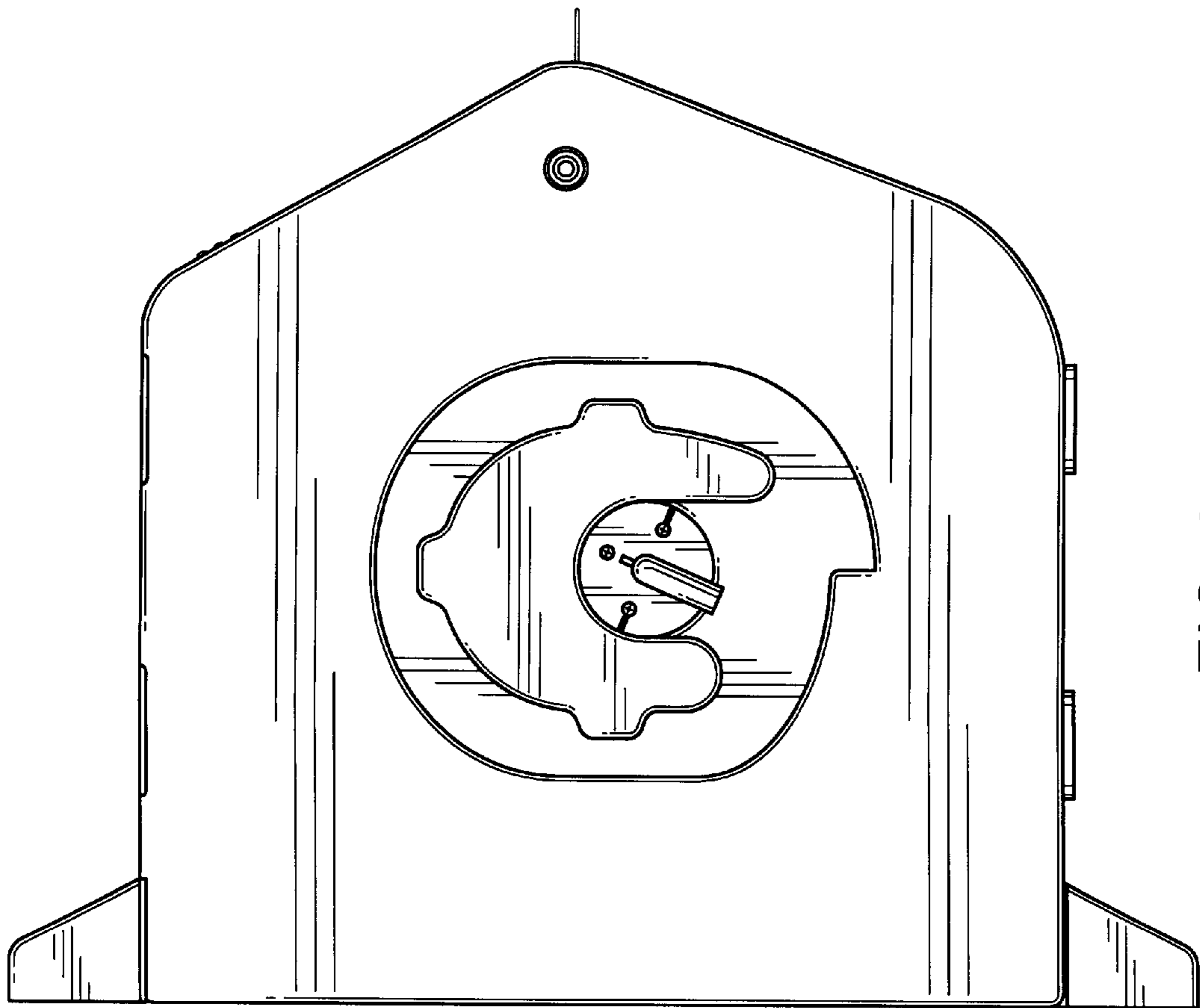


FIG. 6

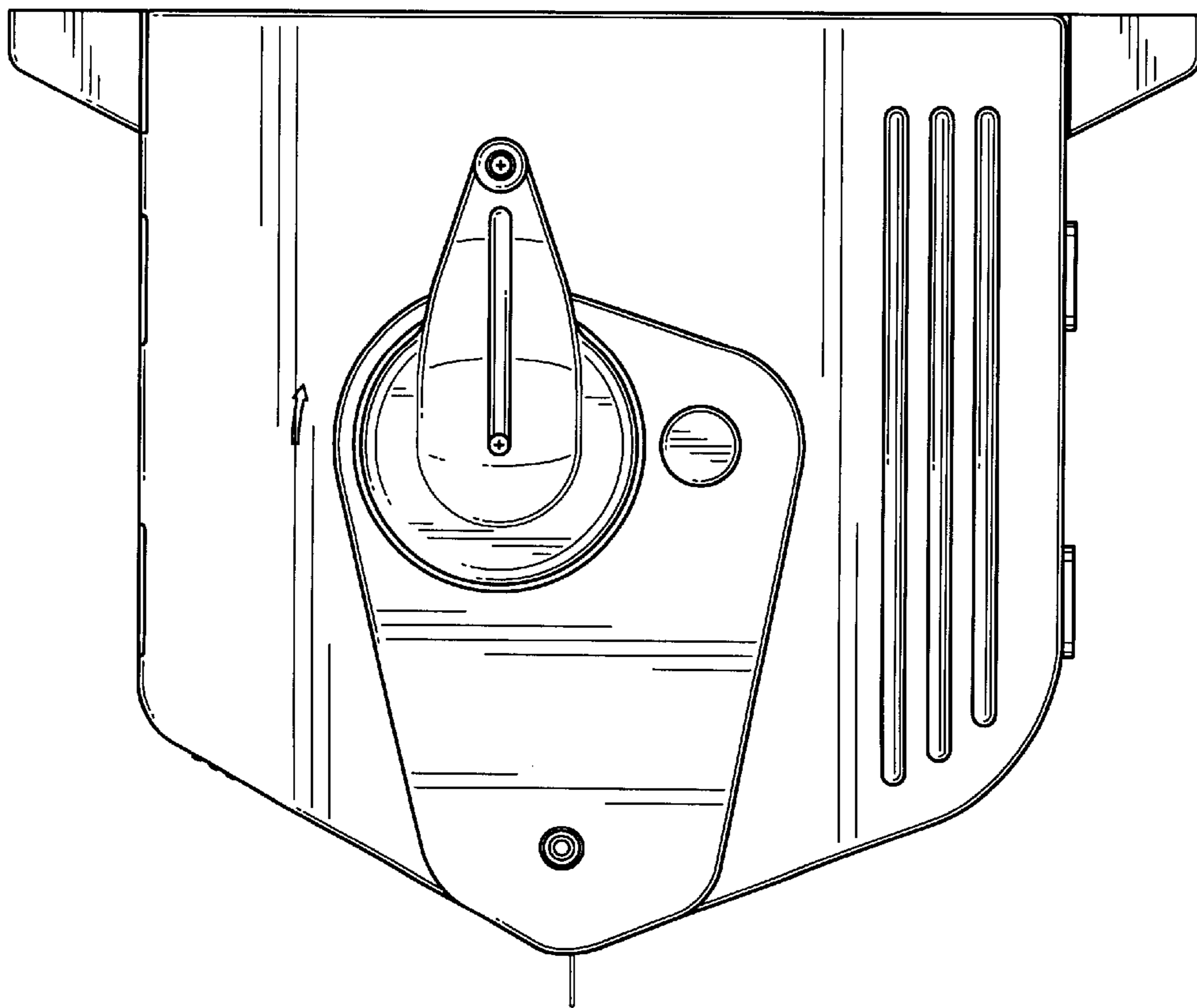


FIG. 7