



US00D460338S

(12) **United States Design Patent**
Martelli

(10) **Patent No.:** **US D460,338 S**

(45) **Date of Patent:** **** Jul. 16, 2002**

(54) **CLOTH CUTTING APPARATUS**

(76) **Inventor:** **John D. Martelli**, 321 S. 61st Ave.,
Pensacola, FL (US) 32506

(**) **Term:** **14 Years**

(21) **Appl. No.:** **29/148,937**

(22) **Filed:** **Oct. 1, 2001**

(51) **LOC (7) Cl.** **08-03**

(52) **U.S. Cl.** **D8/98; D8/51**

(58) **Field of Search** D8/98, 51, 14;
30/306, 307, 319, 293, 263

(56) **References Cited**

U.S. PATENT DOCUMENTS

4,601,103	A	*	7/1986	Sugiyama	30/162
5,144,749	A	*	9/1992	Chen	30/292
5,493,781	A	*	2/1996	Saito	30/162
D388,305	S	*	12/1997	Schulz et al.	D8/51
5,711,077	A	*	1/1998	Schulz et al.	30/160
D392,537	S	*	3/1998	Schulz et al.	D8/51
D412,274	S	*	7/1999	Okada	D8/98

D418,732	S	*	1/2000	Arend et al.	D8/51
D430,475	S	*	9/2000	Hirai	D8/98
D432,888	S	*	10/2000	Robillard	D8/98

* cited by examiner

Primary Examiner—Philip S. Hyder

(74) *Attorney, Agent, or Firm*—George A. Bode; Bode & Associates

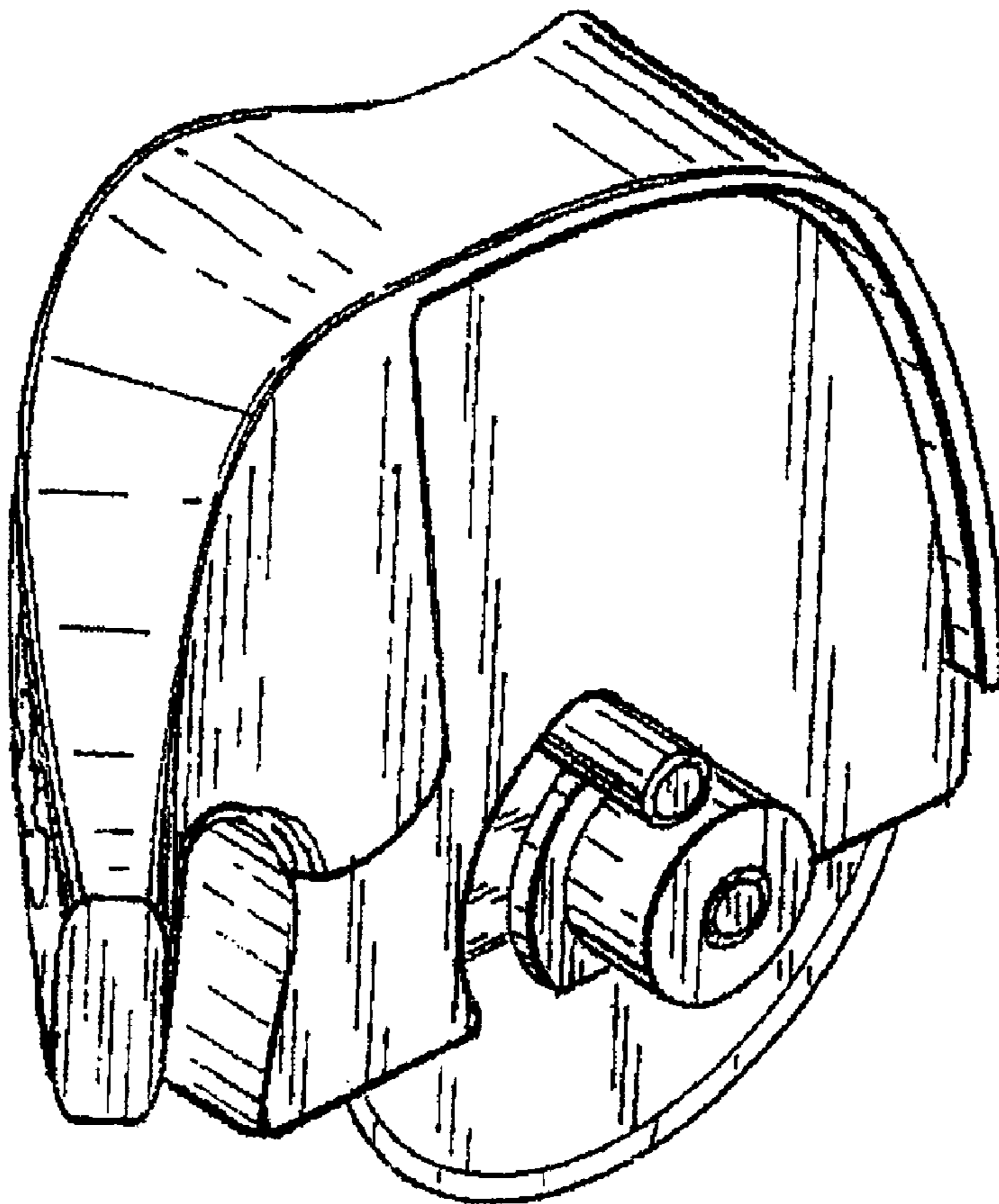
(57) **CLAIM**

The ornamental design for a cloth cutting apparatus, as shown and described.

DESCRIPTION

FIG. 1 is a left side elevational view of a cloth cutting apparatus showing my new design;
FIG. 2 is a rear elevational view thereof;
FIG. 3 is a right side elevational view thereof;
FIG. 4 is a front elevational view thereof;
FIG. 5 is a bottom plan view thereof;
FIG. 6 is a top plan view thereof; and,
FIG. 7 is a top, rear and right side perspective view thereof.

1 Claim, 3 Drawing Sheets



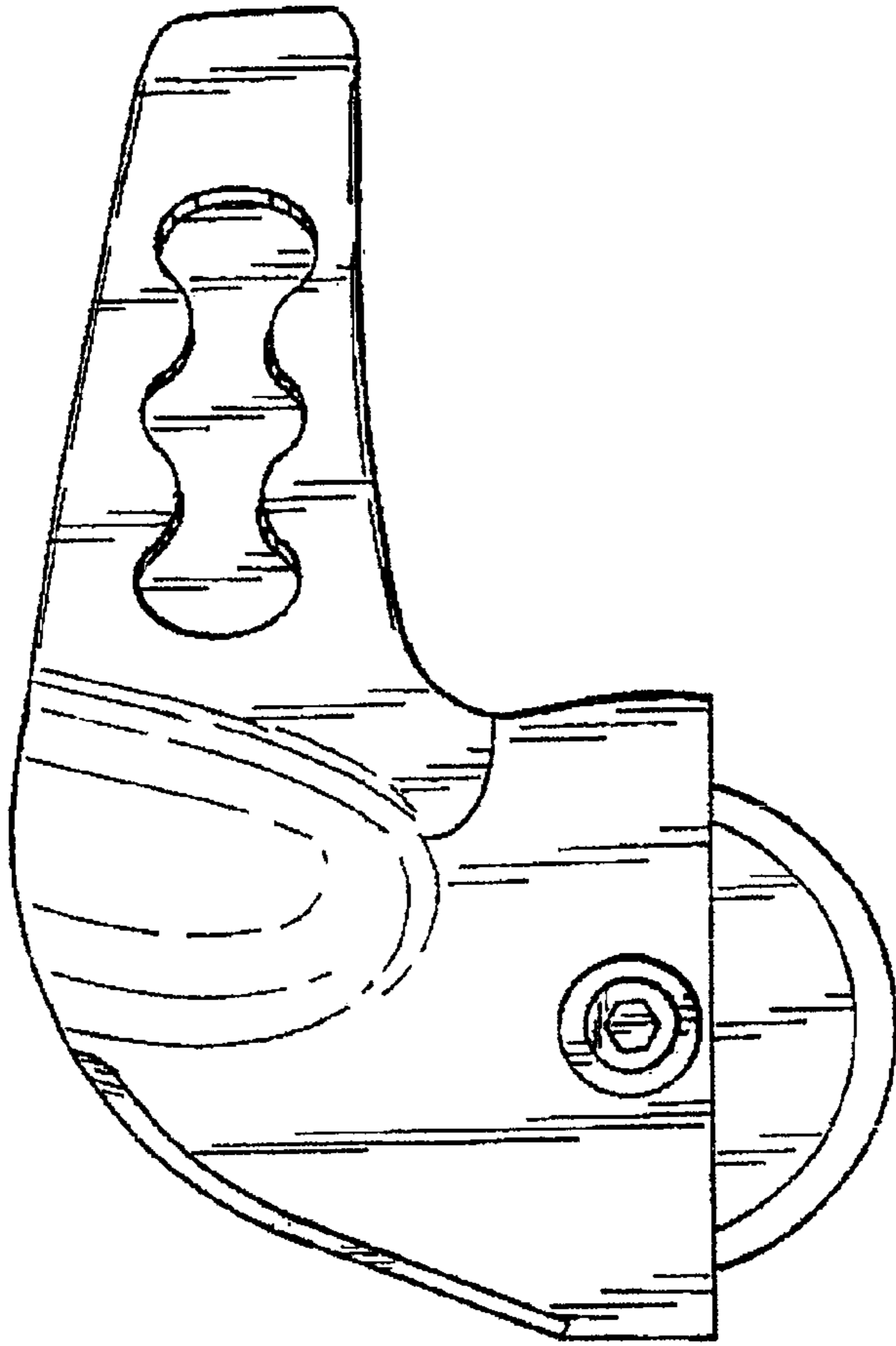


FIG. 1

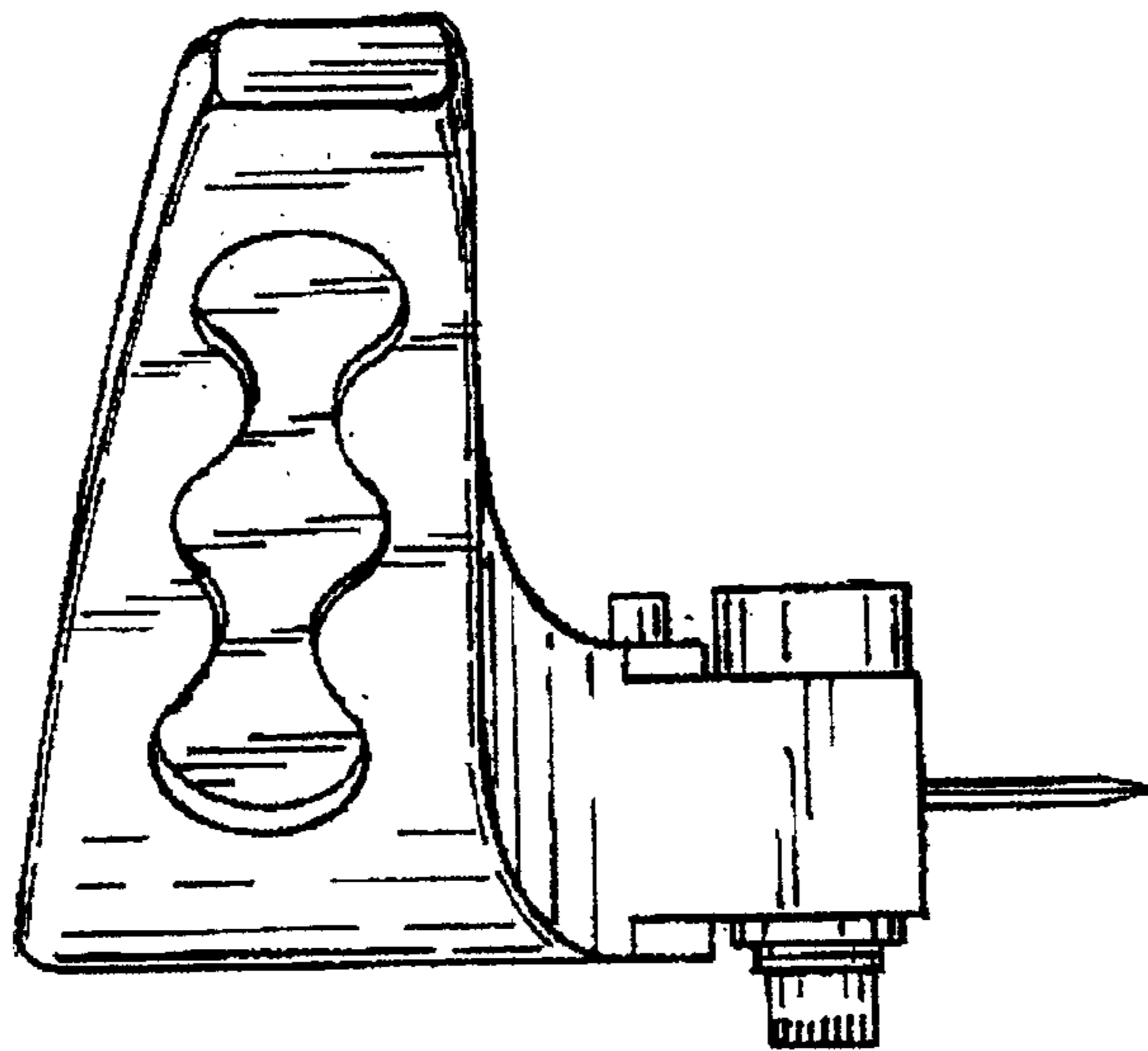


FIG. 2

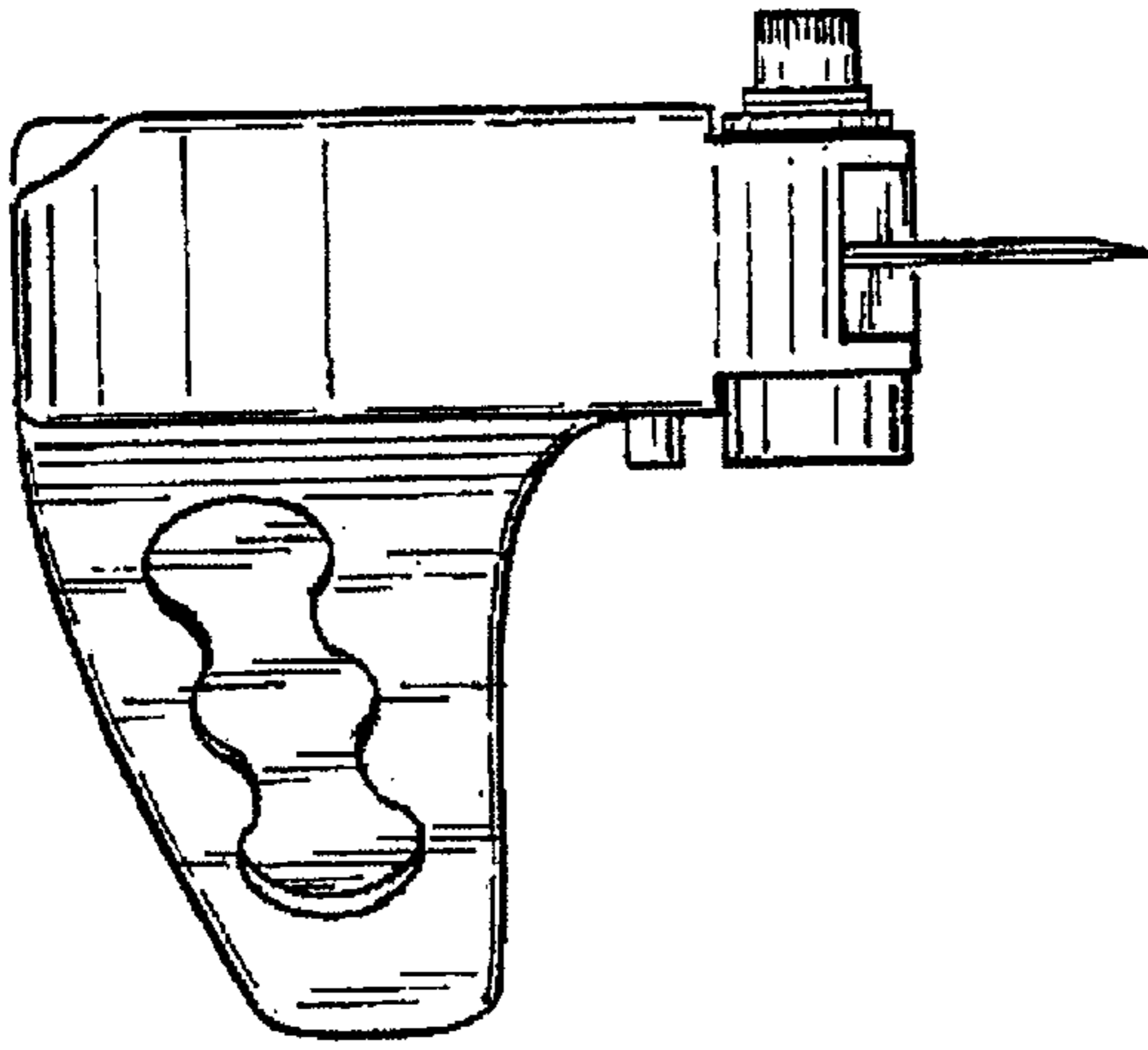


FIG. 4

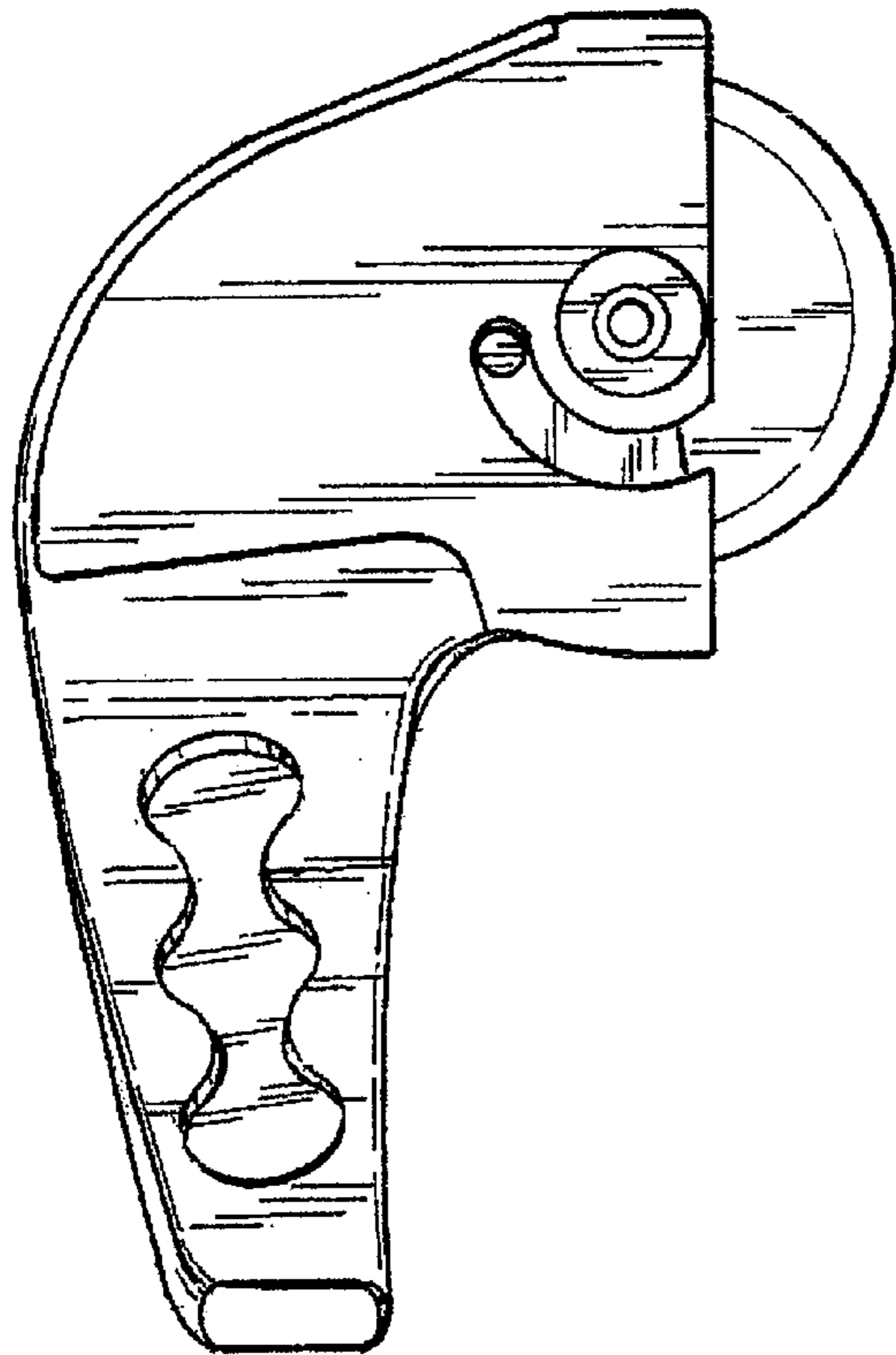


FIG. 3

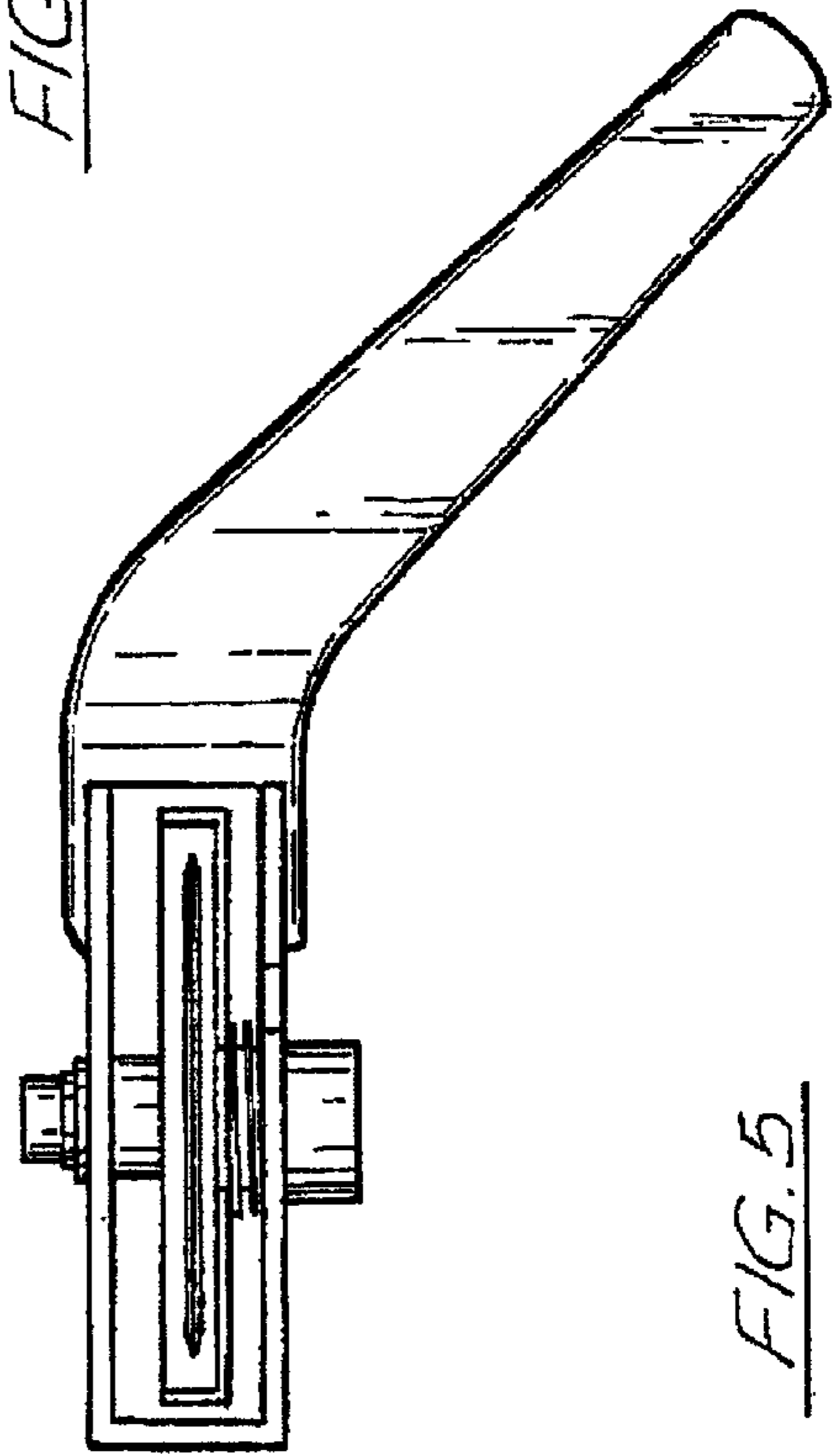


FIG. 5

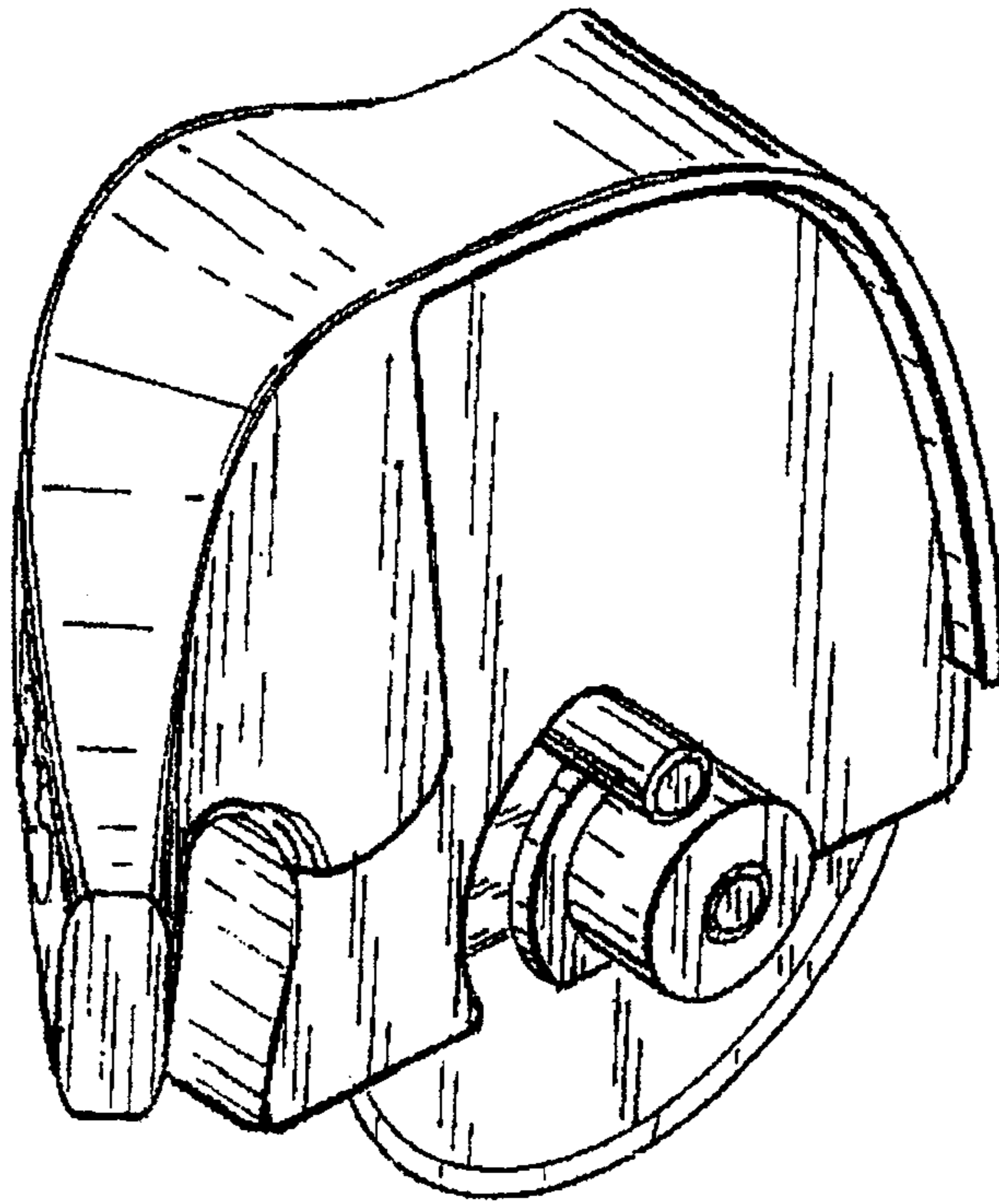


FIG. 7

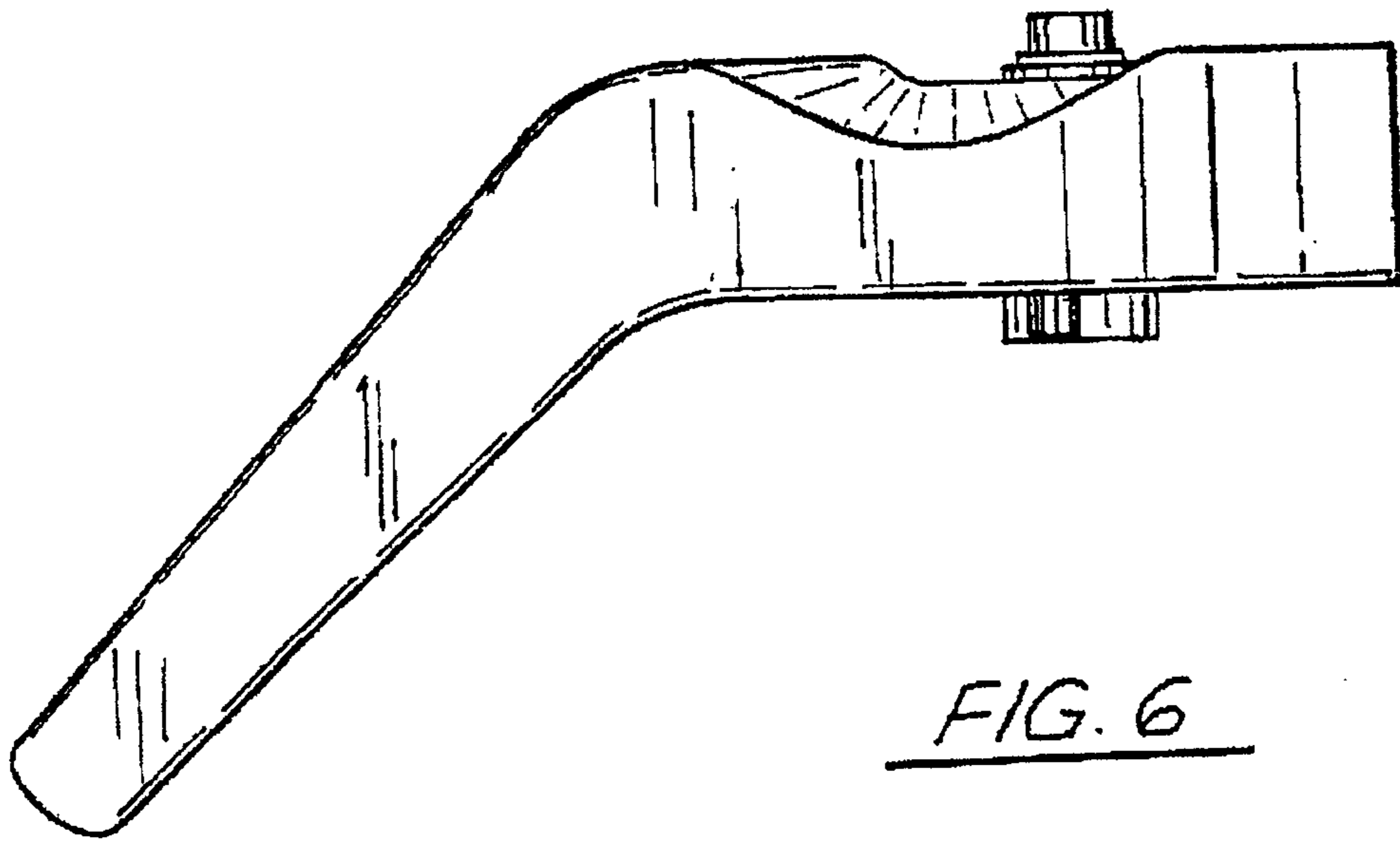


FIG. 6