



US00D460336S

(12) **United States Design Patent**
Pretzell

(10) **Patent No.:** **US D460,336 S**

(45) **Date of Patent:** **** Jul. 16, 2002**

(54) **DRILLING HAMMER**

(75) **Inventor:** **Peter Pretzell, Bochum (DE)**

(73) **Assignee:** **Lidl Stiftung & Co KG, Neckarsulm (DE)**

(**) **Term:** **14 Years**

(21) **Appl. No.:** **29/126,413**

(22) **Filed:** **Jul. 14, 2000**

(30) **Foreign Application Priority Data**

Jan. 17, 2000 (DE) 400 00 395

(51) **LOC (7) Cl.** **08-01**

(52) **U.S. Cl.** **D8/69**

(58) **Field of Search** D8/61-70; 81/57.11, 81/54, 57.42; 173/170, 217, 169, 216, 213, 164, 109, 168, 48, 221, 13; 451/357-359, 344; 310/50

(56) **References Cited**

U.S. PATENT DOCUMENTS

D167,415 S	*	8/1952	McCabe	D8/69
3,161,242 A	*	12/1964	Etzkorn et al.	173/109
3,837,409 A	*	9/1974	Consoli et al.	173/48
4,007,795 A	*	2/1977	Gawron et al.	173/50
4,418,766 A	*	12/1983	Grossmann	173/13
4,770,254 A	*	9/1988	Kominami	173/109

D301,300 S	*	5/1989	Sasaki et al.	D8/68
D301,967 S	*	7/1989	Sakamoto et al.	D8/67
D320,918 S	*	10/1991	Mochida	D8/68
5,129,467 A	*	7/1992	Watanabe et al.	173/75
D342,878 S	*	1/1994	Watanabe et al.	D8/68
D343,105 S	*	1/1994	Shibata et al.	D8/68
D378,341 S	*	3/1997	Kim	D8/69
5,671,815 A	*	9/1997	Kabatnik et al.	173/217
D395,586 S	*	6/1998	Arakawa et al.	D8/69
D406,511 S	*	3/1999	Zurwelle	D8/68
D406,741 S	*	3/1999	Zurwelle	D8/68
5,881,823 A	*	3/1999	Kabatnik et al.	173/217
D427,499 S	*	7/2000	Ricci et al.	D8/68
6,176,321 B1	*	1/2001	Arakawa et al.	173/48

* cited by examiner

Primary Examiner—Jeffrey Asch

(74) *Attorney, Agent, or Firm*—Morgan & Finnegan, LLP

(57) **CLAIM**

The ornamental design for drilling hammer, as shown and described.

DESCRIPTION

FIG. 1 shows a perspective view from the left side of drilling hammer showing my new design;

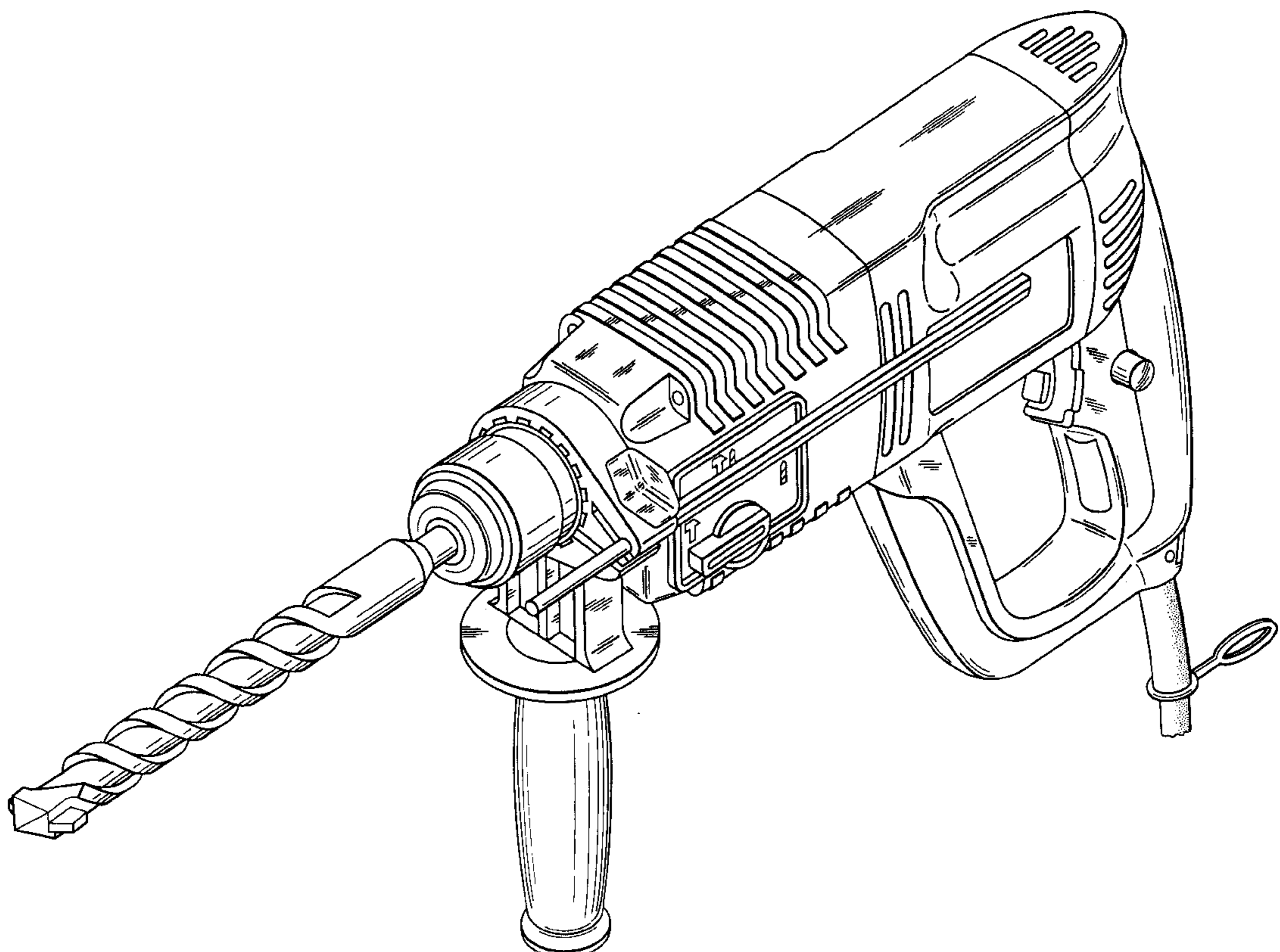
FIG. 2 is a left view thereof.

FIG. 3 is a right view thereof.

FIG. 4 is a bottom view thereof; and,

FIG. 5 is a top view thereof.

1 Claim, 5 Drawing Sheets



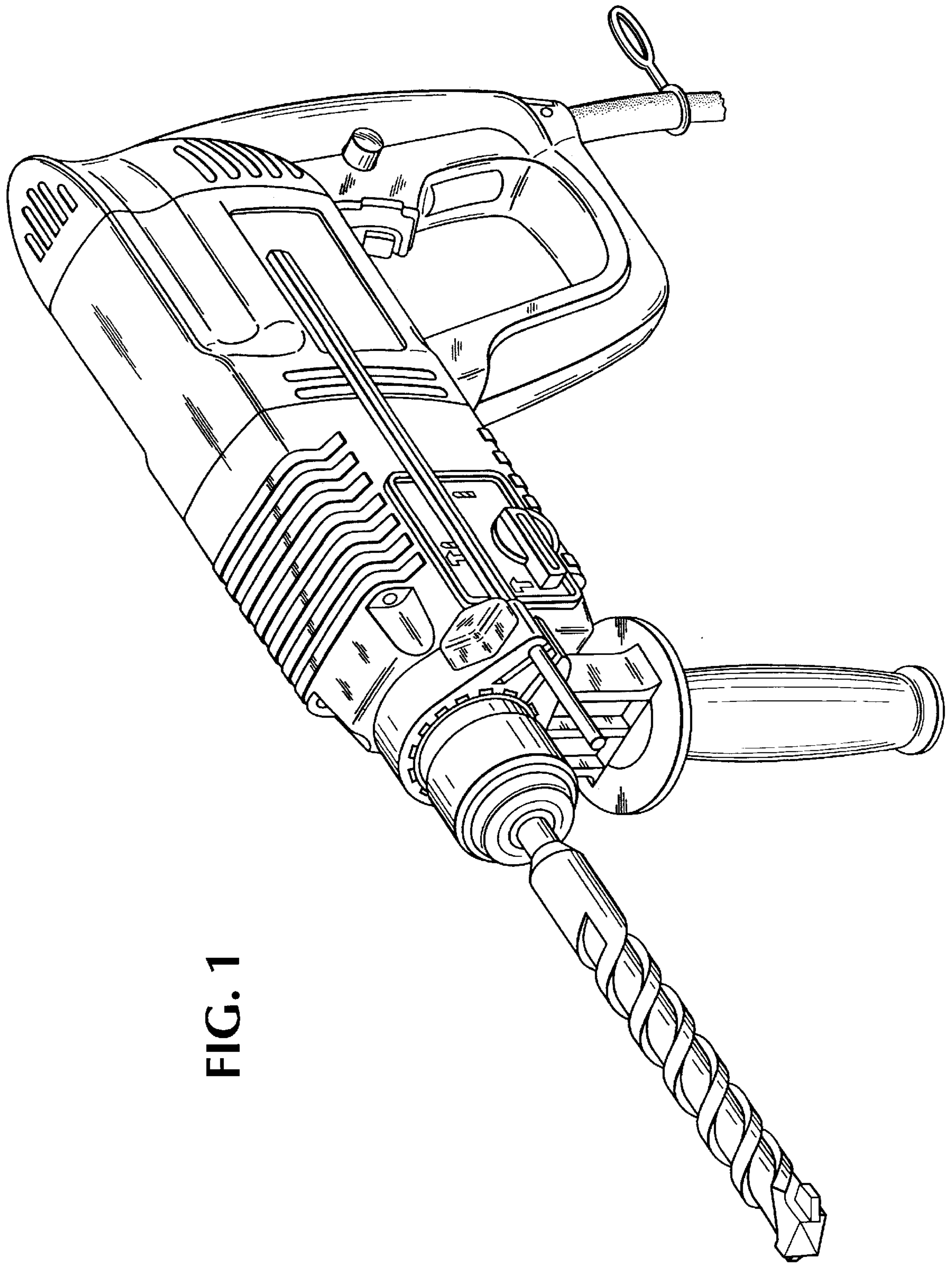


FIG. 1

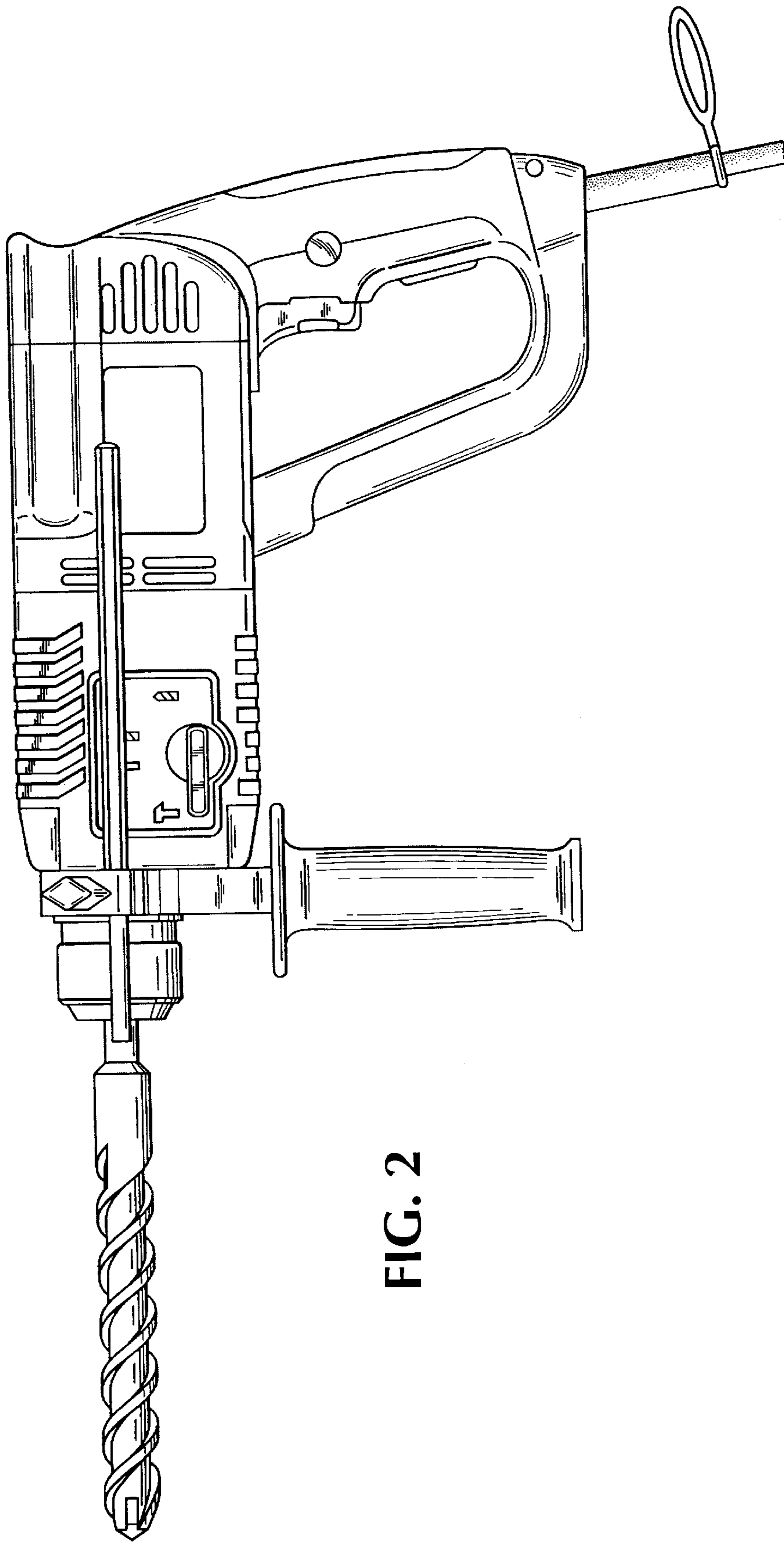


FIG. 2

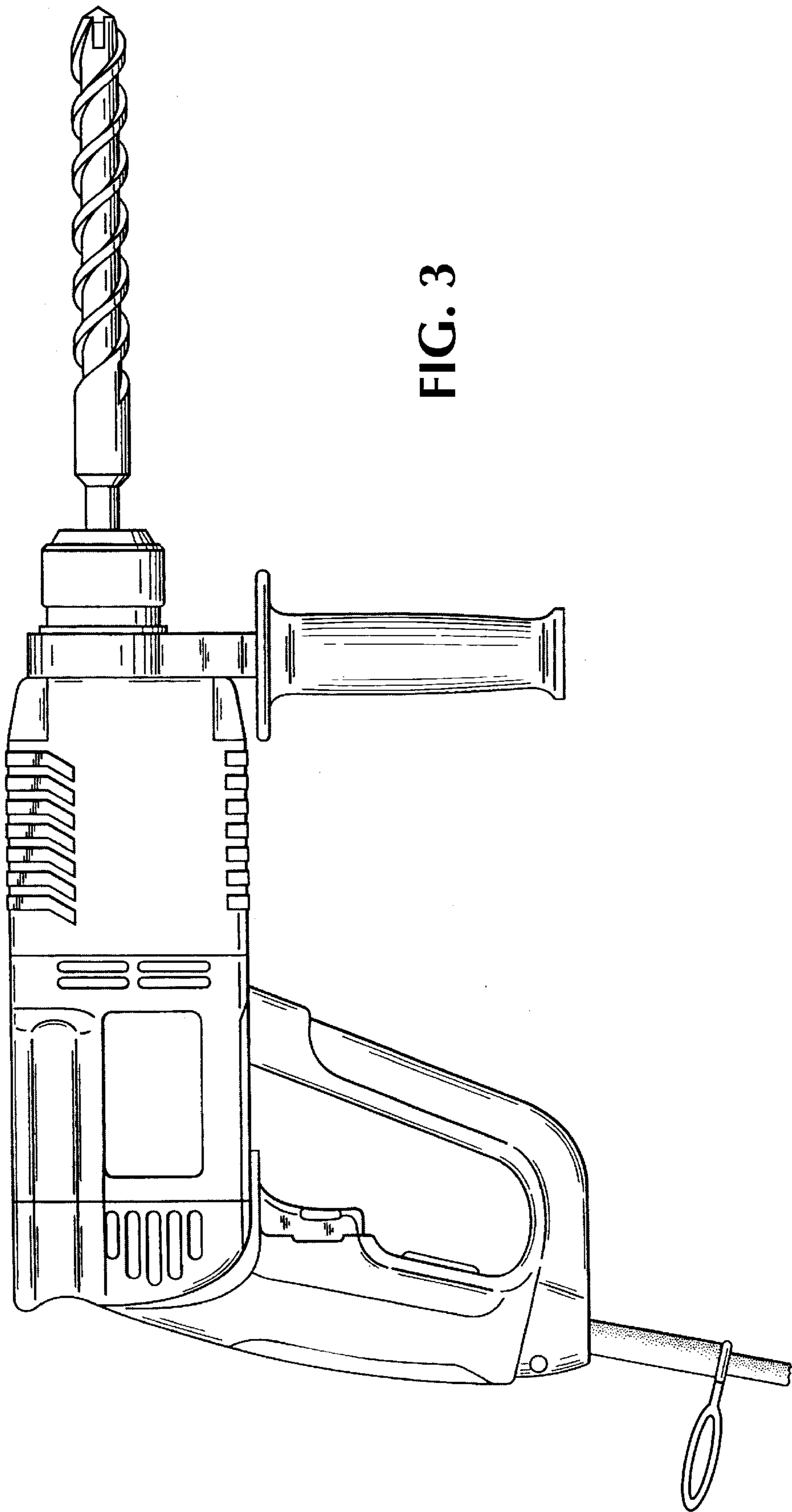


FIG. 3

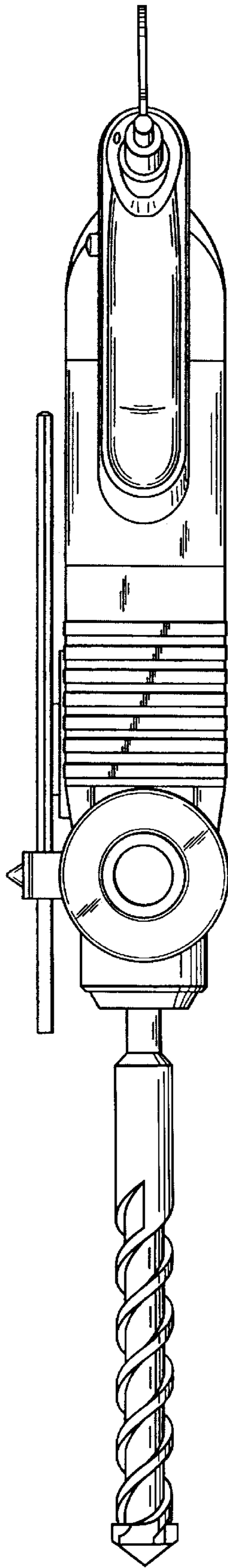


FIG. 4

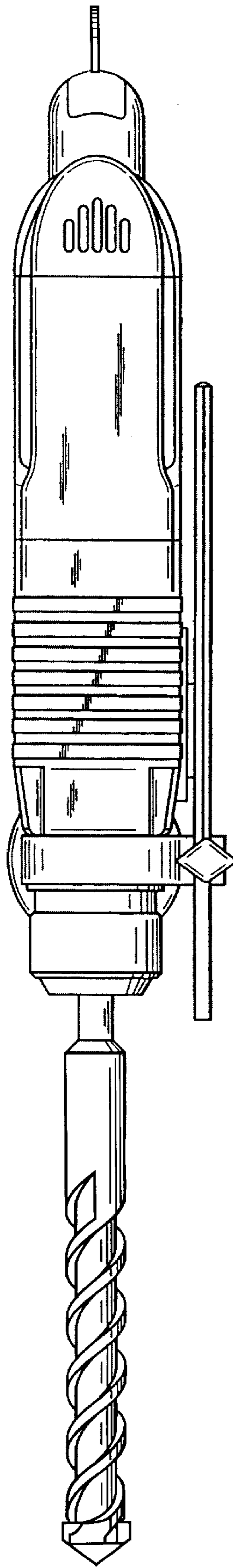


FIG. 5