

US00D460335S

(12) **United States Design Patent**
Morgan

(10) **Patent No.:** **US D460,335 S**

(45) **Date of Patent:** **** Jul. 16, 2002**

(54) **PNEUMATIC TOOL**

(75) **Inventor:** **Fred M. Morgan**, Jackson, TN (US)

(73) **Assignee:** **DeVilbiss Air Power Company**,
Jackson, TN (US)

(**) **Term:** **14 Years**

(21) **Appl. No.:** **29/149,141**

(22) **Filed:** **Oct. 3, 2001**

(51) **LOC (7) Cl.** **08-05**

(52) **U.S. Cl.** **D8/68**

(58) **Field of Search** D8/49, 61, 62,
D8/63, 64, 65, 66, 67, 68, 69, 70; 16/430;
30/388; 81/52, 54, 55, 57.11, 57.13, 57.14,
57.33, 57.42, 73, 177.1, 177.8, 177.85,
409, 429, 436, 463, 464, 467, 469, 470,
900, 901, DIG. 12; 173/13, 15, 19, 47,
48, 81, 93, 93.5, 93.6, 94, 104, 109, 168,
169, 170, 171, 176, 178, 180, 181, 213,
216, 217, 221; 227/2, 8, 10, 66, 111, 112,
113, 114, 115, 120, 130, 136; 400/156,
181; 408/20, 120, 122, 124, 125, 234, 241 R,
241 S; 451/344, 354, 357, 358, 359, 456

(56) **References Cited**

U.S. PATENT DOCUMENTS

D339,726 S * 9/1993 Bruno et al. D8/68

D382,184 S * 8/1997 Sung D8/68
D383,657 S * 9/1997 Kaiser D8/68
D384,562 S * 10/1997 Sung D8/68
D396,620 S * 8/1998 Sung D8/68
D434,298 S * 11/2000 Izumisawa D8/68
6,308,378 B1 * 10/2001 Mooty et al. 408/124

* cited by examiner

Primary Examiner—Doris V. Coles
Assistant Examiner—T. Chase Nelson
(74) *Attorney, Agent, or Firm*—Suiter & Associates PC

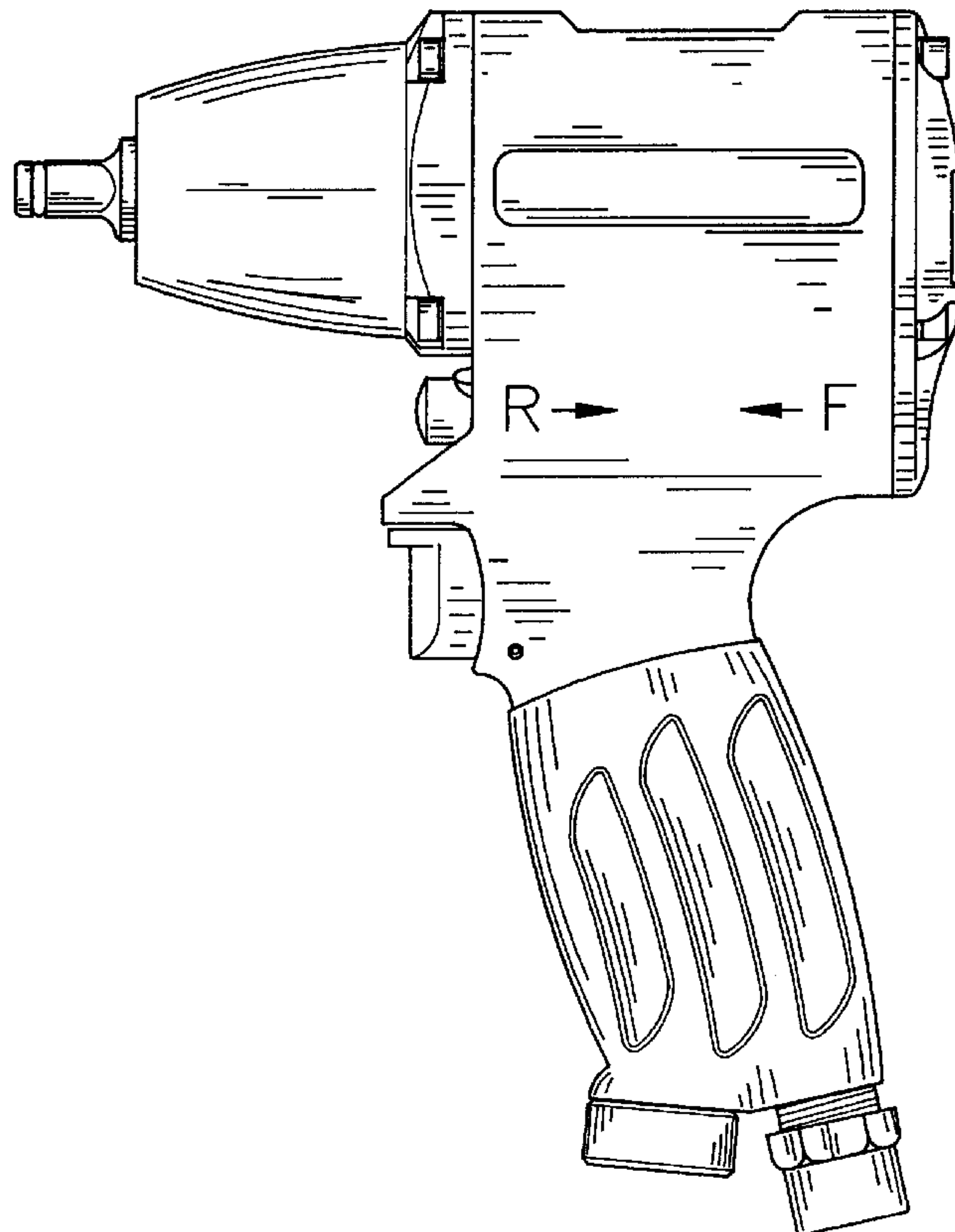
(57) **CLAIM**

The ornamental design for a pneumatic tool, as shown.

DESCRIPTION

FIG. 1 is top plan view of a pneumatic tool showing my new design;
FIG. 2 is a front elevation view thereof;
FIG. 3 is a left side elevation view thereof;
FIG. 4 is rear elevation view thereof;
FIG. 5 is a right side elevation view thereof; and,
FIG. 6 is a bottom plan view thereof.

1 Claim, 2 Drawing Sheets



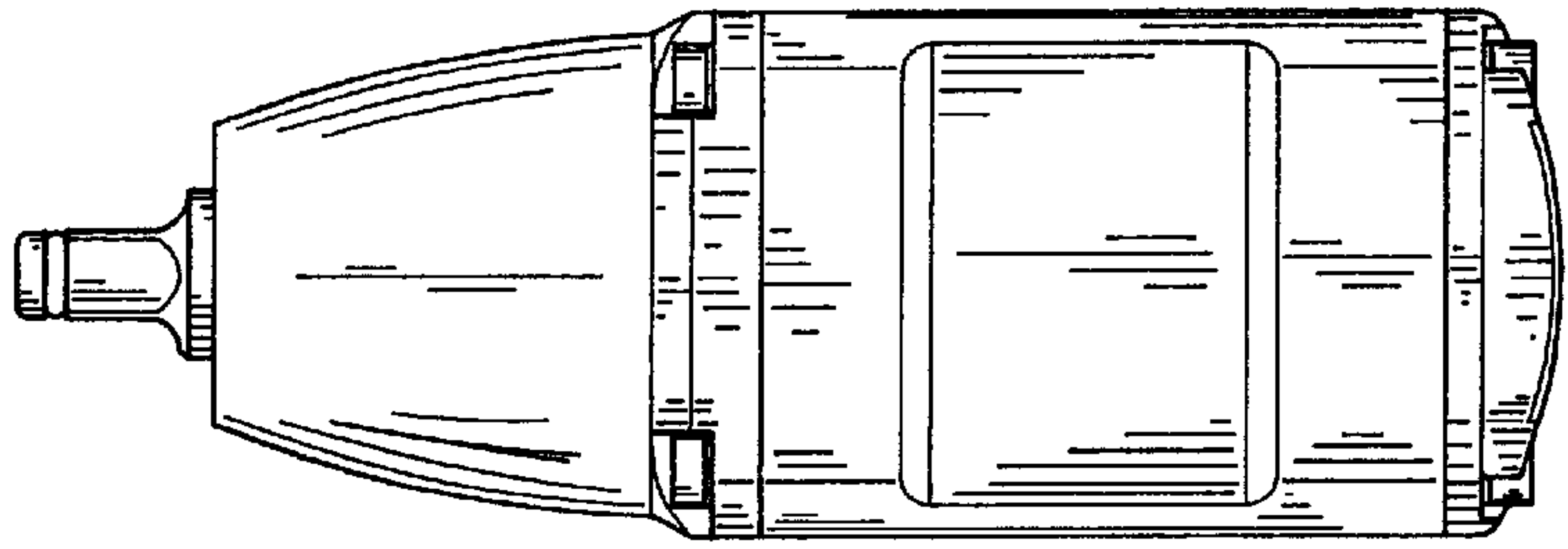


FIG. 1

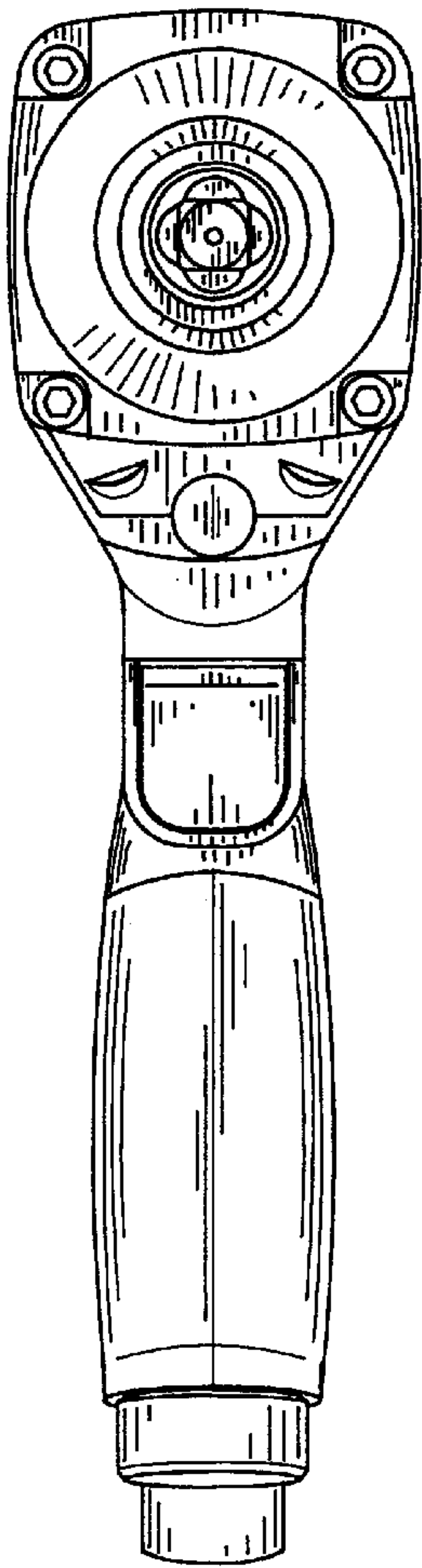


FIG. 2

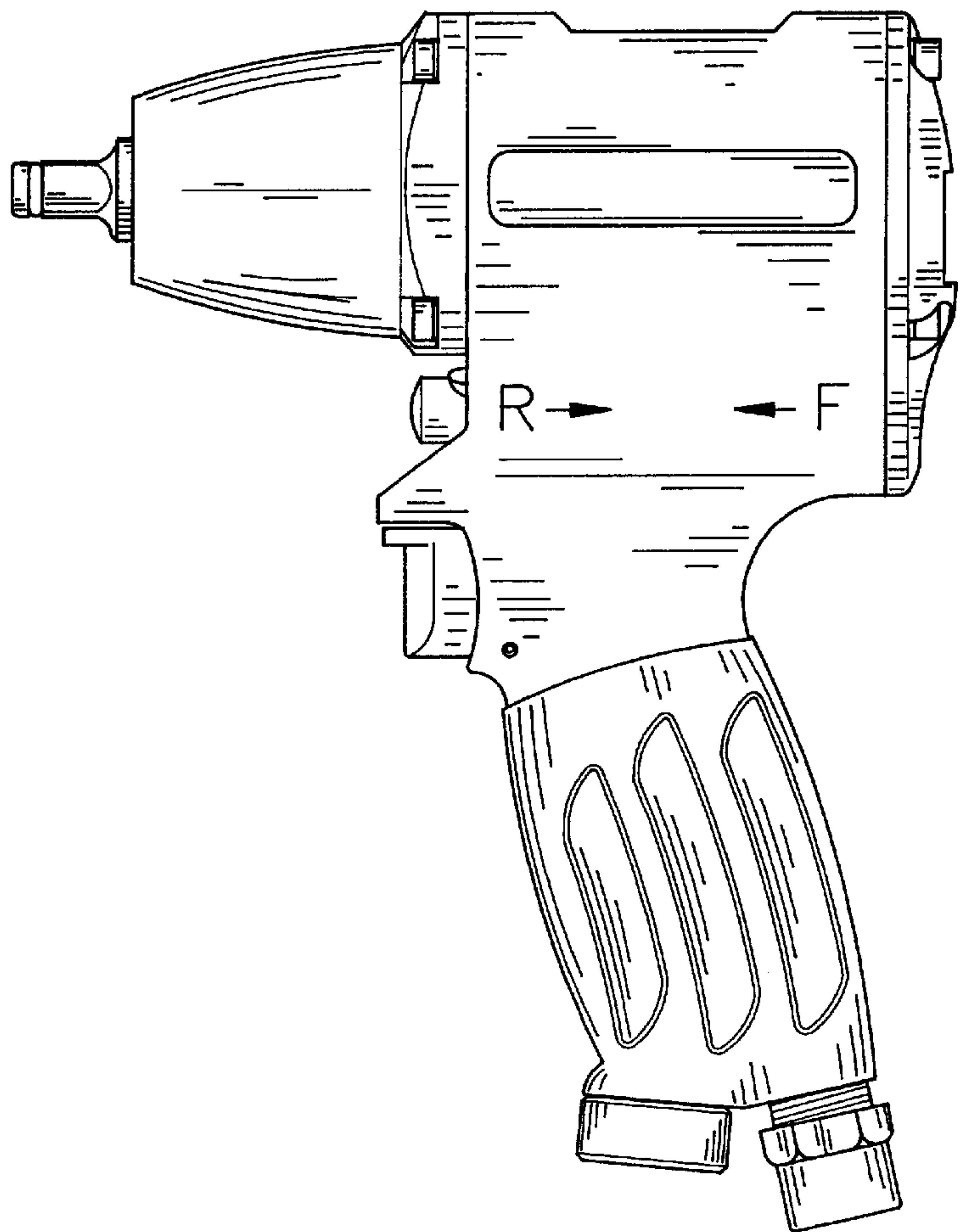


FIG. 3

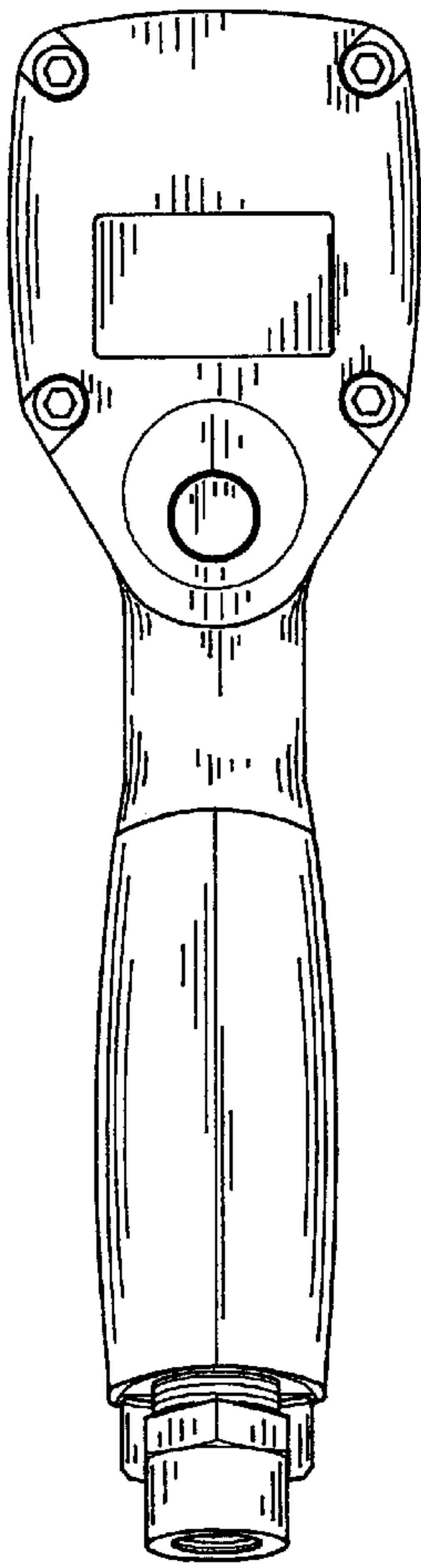


FIG. 4

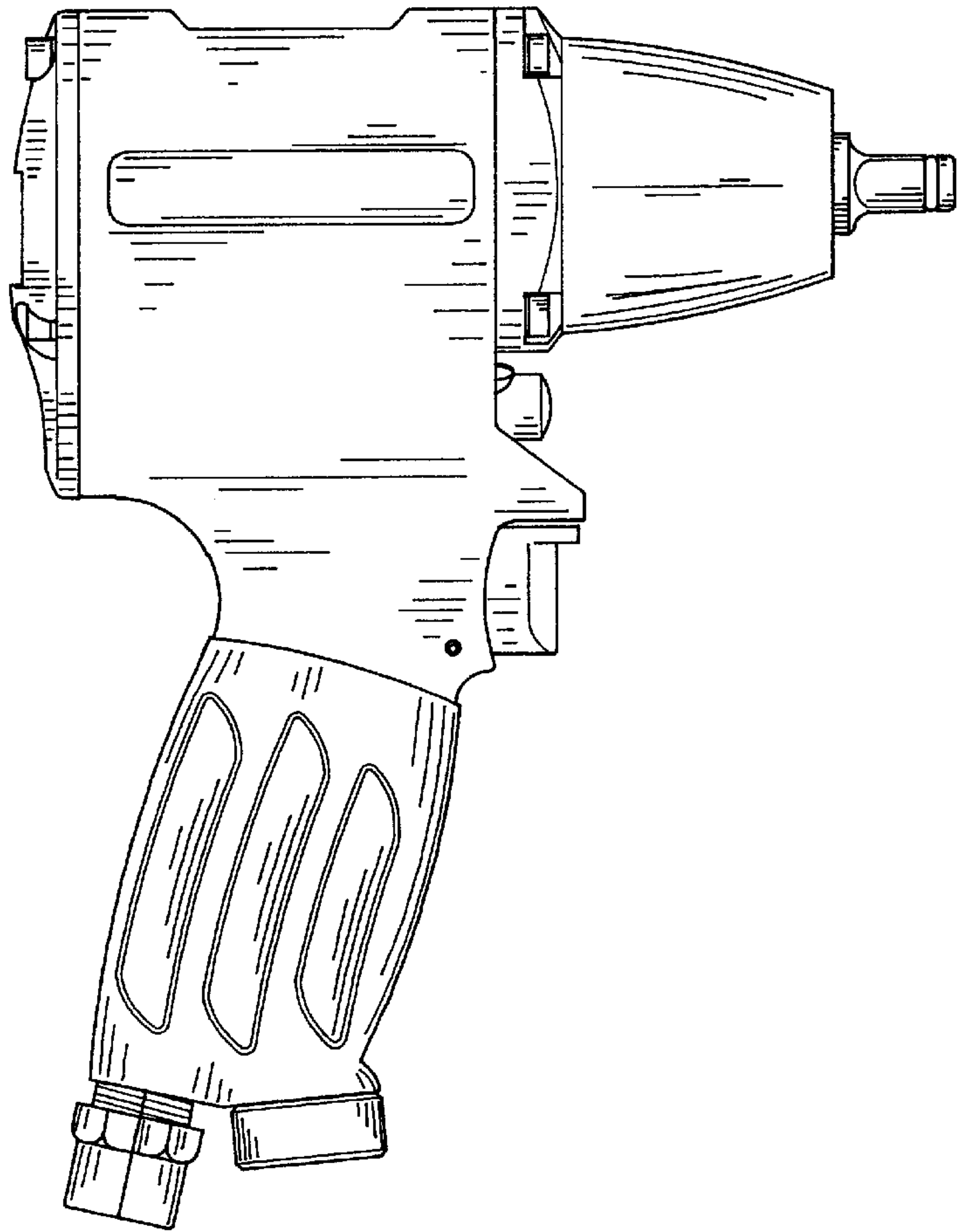


FIG. 5

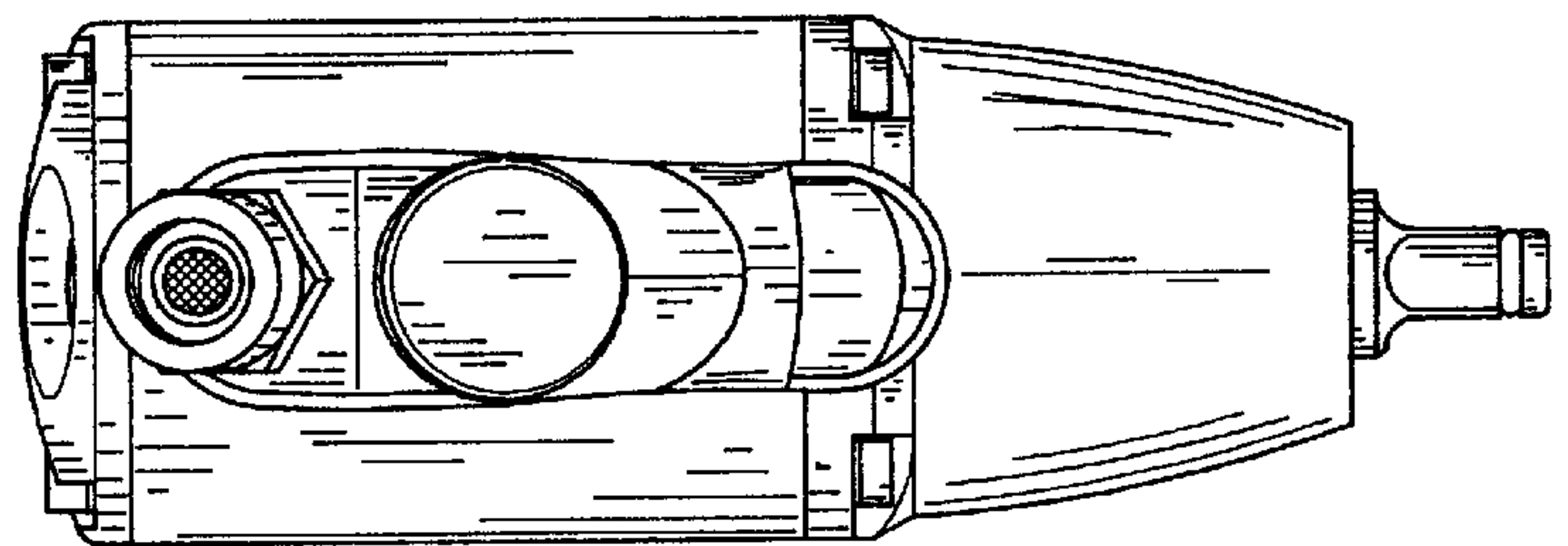


FIG. 6