



US00D460332S

(12) **United States Design Patent**  
**Seber**

(10) **Patent No.: US D460,332 S**

(45) **Date of Patent: \*\* \*Jul. 16, 2002**

(54) **COMBINATION TOOL**

(76) Inventor: **Brett P. Seber**, 650 Sheridan Ave.,  
Escondido, CA (US) 62026

(\* ) Notice: This patent is subject to a terminal dis-  
claimer.

(\*\*) Term: **14 Years**

(21) Appl. No.: **29/078,608**

(22) Filed: **Sep. 24, 1997**

**Related U.S. Application Data**

(63) Continuation of application No. 29/065,064, filed on Jan. 17,  
1997, now abandoned.

(51) **LOC (7) Cl. .... 08-05**

(52) **U.S. Cl. .... D8/55; D8/52**

(58) **Field of Search** ..... D8/51, 52, 55,  
D8/105, 106; 7/125, 126, 127, 128, 129,  
131, 132, 118, 165, 168; 30/153, 162

(56) **References Cited**

**U.S. PATENT DOCUMENTS**

295,885 A	3/1884	Pullman
542,601 A	7/1895	Baker
589,392 A	8/1897	Kolar
592,766 A	11/1897	Effinger et al.
596,096 A	12/1897	Watts
614,537 A	11/1898	Dahlquist et al.
649,334 A	5/1900	Meloos
662,005 A	11/1900	Lewis
790,432 A	5/1905	Heilrath
857,459 A	6/1907	Hendrickson
858,003 A	6/1907	Klever
896,746 A	8/1908	McCarty
988,068 A	3/1911	Beardsley et al.
1,174,132 A	3/1916	Dragun
1,184,746 A	5/1916	Hanson
1,194,296 A	8/1916	Jones et al.
1,334,425 A	3/1920	Wernimont
1,370,906 A	3/1921	Newton
1,467,661 A	9/1923	Undy

1,474,592 A	11/1923	Jacoby
1,486,725 A	3/1924	Brown
1,511,340 A	10/1924	Jackson
1,524,694 A	2/1925	DiMaio
1,551,328 A	8/1925	Perry

(List continued on next page.)

**FOREIGN PATENT DOCUMENTS**

CH	277412	8/1951
DE	30788	8/1884
GB	2463	8/1868
GB	17248	6/1896
GB	20299	11/1902
GB	15859	9/1904
GB	13254	9/1905
GB	186520	10/1922
SU	1002145	3/1983

**OTHER PUBLICATIONS**

Hoffritz Holiday Catalog, see tool, p. 24 (center), 1988.

*Primary Examiner*—Martie K. Holtje

(74) *Attorney, Agent, or Firm*—Kelly Bauersfeld; Lowry &  
Kelley, LLP

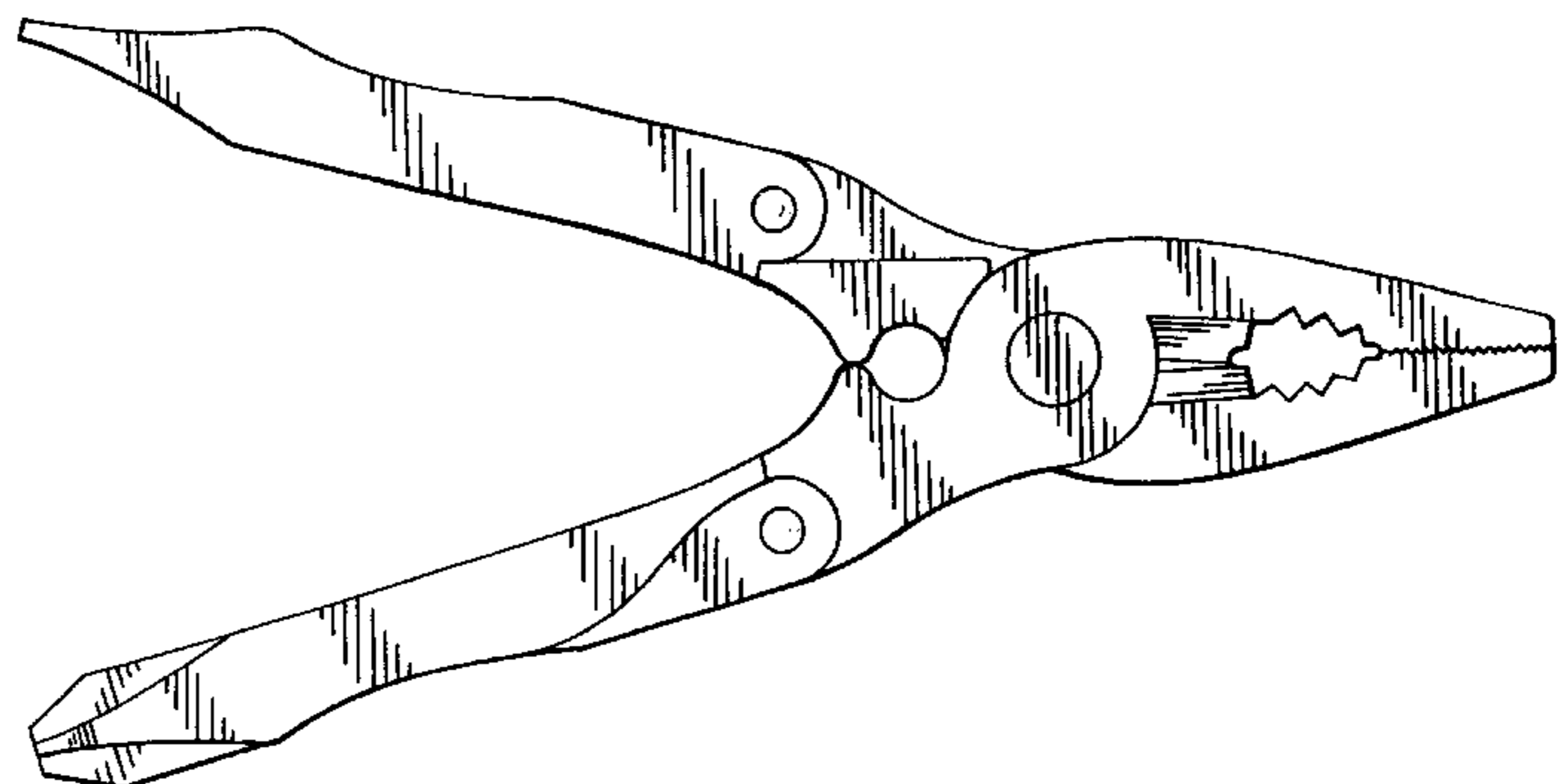
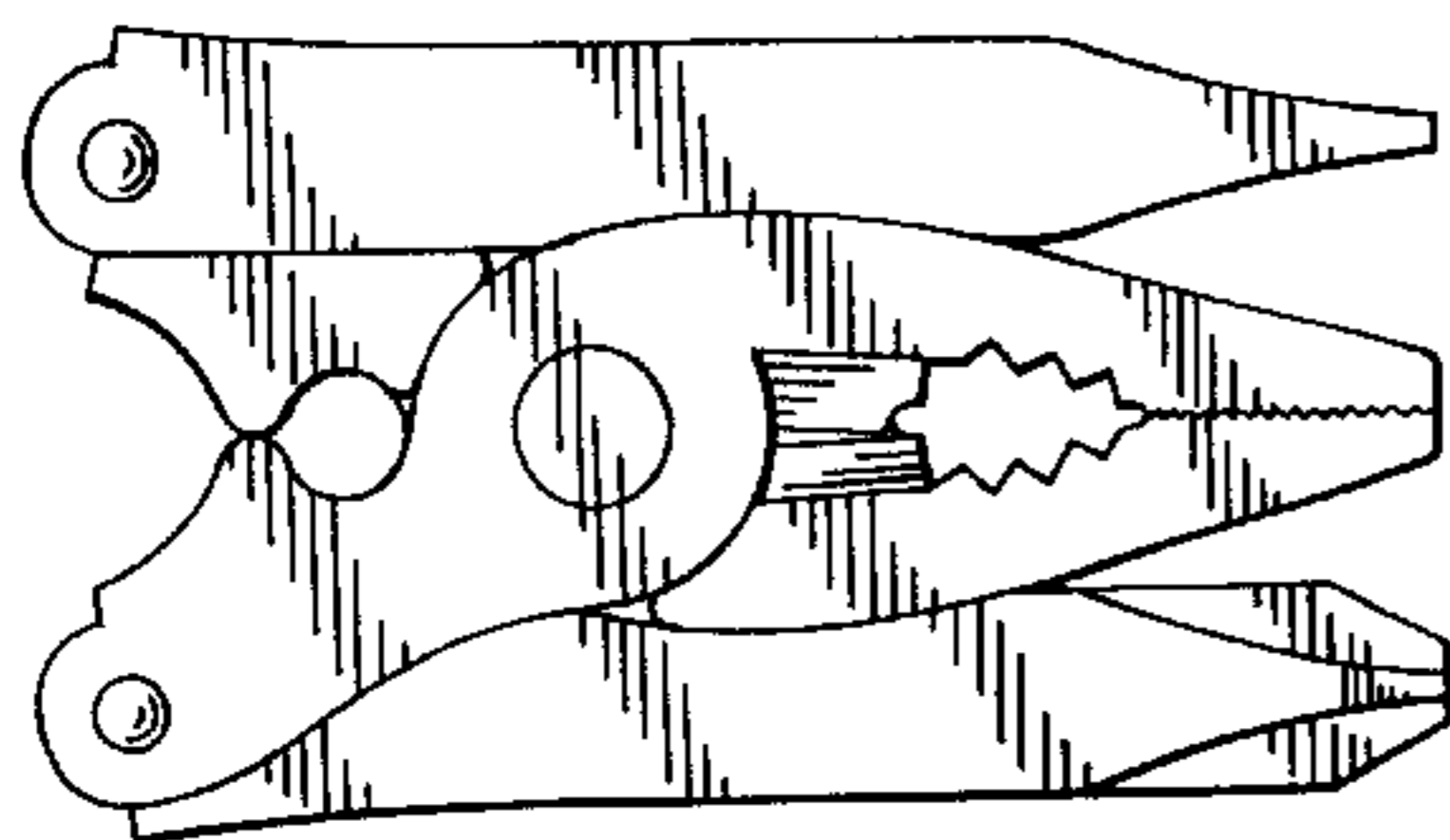
(57) **CLAIM**

The ornamental design for a combination tool, as shown and  
described.

**DESCRIPTION**

FIG. 1 is a top view of a combination tool with the handles  
in the folded closed position;  
FIG. 2 is a bottom view thereof;  
FIG. 3 is a left elevational view thereof;  
FIG. 4 is a right elevational view thereof;  
FIG. 5 is a front elevational view thereof;  
FIG. 6 is a rear elevational view thereof;  
FIG. 7 is a top view of the combination tool with the handles  
in the folded open position;  
FIG. 8 is bottom view thereof;  
FIG. 9 is a left elevational view thereof;  
FIG. 10 is a right elevational view thereof;  
FIG. 11 is a front elevational view thereof; and,  
FIG. 12 is a rear elevational view thereof;

**1 Claim, 3 Drawing Sheets**



# US D460,332 S

Page 2

U.S. PATENT DOCUMENTS					
1,561,833 A	11/1925	Cruickshank	4,744,272 A	5/1988	Leatherman ..... 81/427.5
1,561,993 A	11/1925	Nielsen	4,805,303 A	2/1989	Gibbs
1,619,181 A	3/1927	Beretz	4,888,869 A	12/1989	Leatherman
2,057,201 A	10/1936	McCluskey	5,014,379 A	5/1991	Hull et al. .... 7/127
D137,408 S	3/1944	Frisk	5,044,079 A	9/1991	Gibbs
D149,934 S	6/1948	Cobb ..... D8/55	5,062,173 A	11/1991	Collins et al.
2,514,130 A	7/1950	Jones	5,142,721 A	9/1992	Sessions et al.
2,561,682 A	7/1951	Barnett	5,212,844 A	5/1993	Sessions et al.
2,575,652 A	11/1951	Bovee	D338,386 S	8/1993	Frazer
2,606,471 A	8/1952	Kollweck	5,245,721 A	9/1993	Lowe et al. .... 7/129
2,641,149 A	6/1953	Petersen	5,267,366 A	12/1993	Frazer ..... 7/128
2,747,446 A	5/1956	Eder	5,320,004 A	6/1994	Hsiao
2,779,098 A	1/1957	Pocoski et al.	D356,019 S	3/1995	Sakai
2,814,108 A	11/1957	Bassett	5,491,856 A	2/1996	Legg
3,044,081 A	7/1962	Robinson, Jr.	D368,634 S	4/1996	Frazer ..... D8/105
3,364,508 A	1/1968	Garrett	D382,182 S	8/1997	Seber et al.
3,798,687 A	3/1974	Stevens	D384,872 S	* 10/1997	Yeh ..... D8/105
3,858,258 A	1/1975	Stevens ..... 7/129	D392,519 S	* 3/1998	Hung ..... D8/105 X
4,238,862 A	12/1980	Leatherman	D407,286 S	* 3/1999	Seber et al. .... D8/55
4,502,220 A	3/1985	Aoki	D407,287 S	* 3/1999	Seber et al. .... D8/55
4,512,051 A	4/1985	Magan	D407,616 S	* 4/1999	Seber ..... D8/55
D286,501 S	11/1986	Magan			

\* cited by examiner

FIG. 1

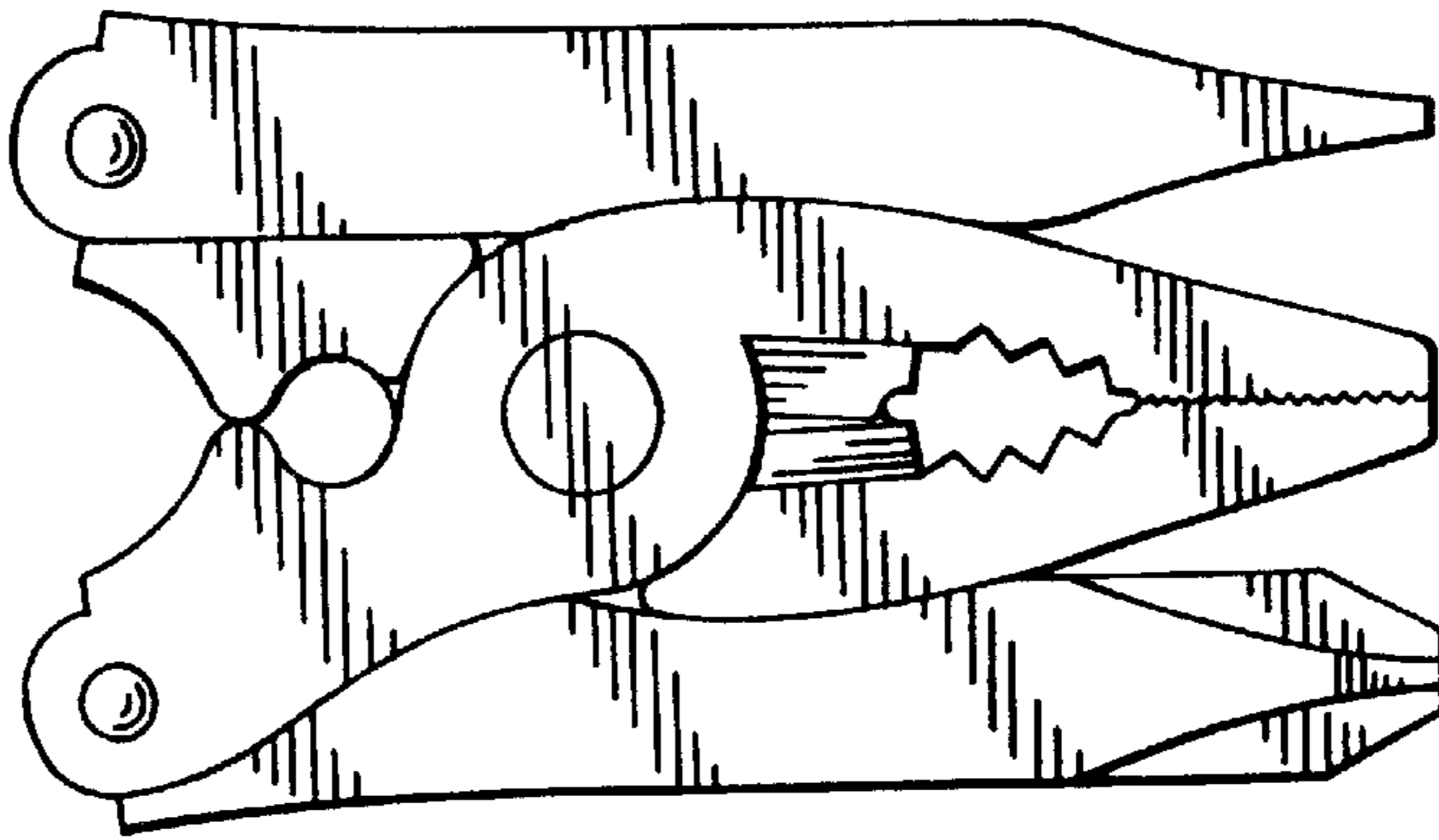


FIG. 2

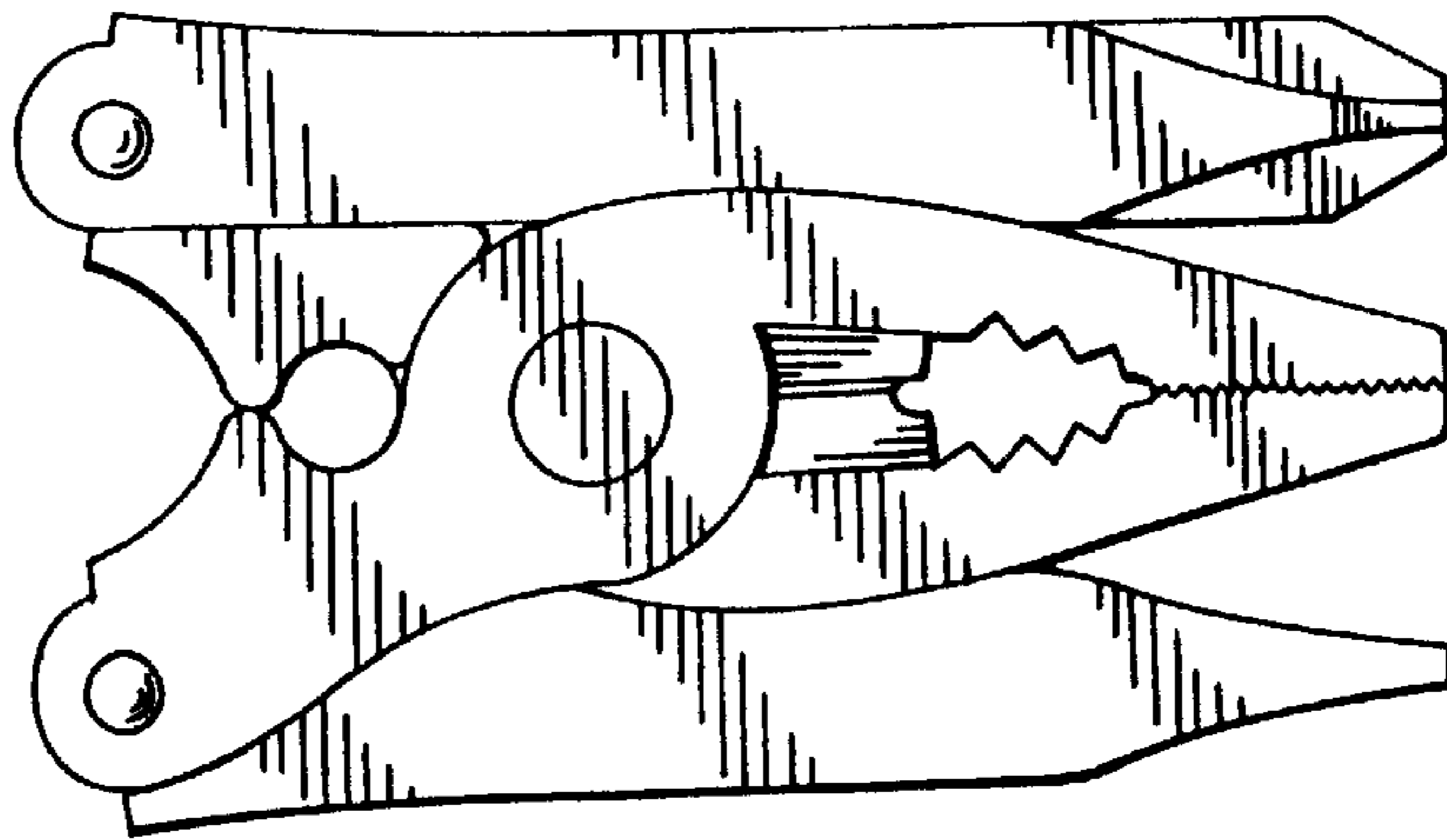


FIG. 3

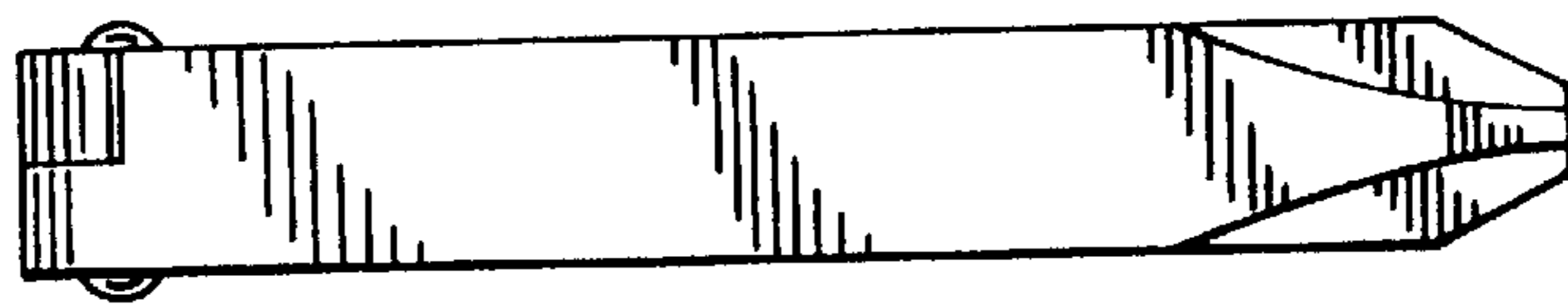


FIG. 4

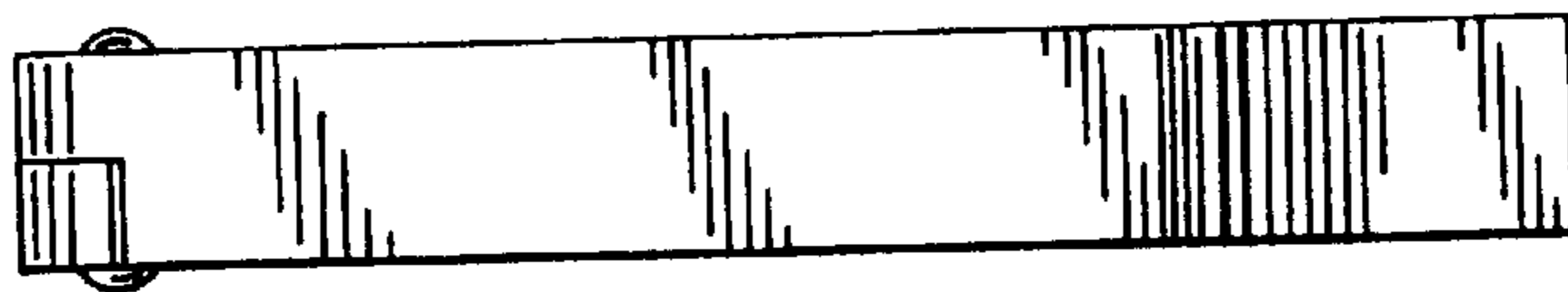


FIG. 5

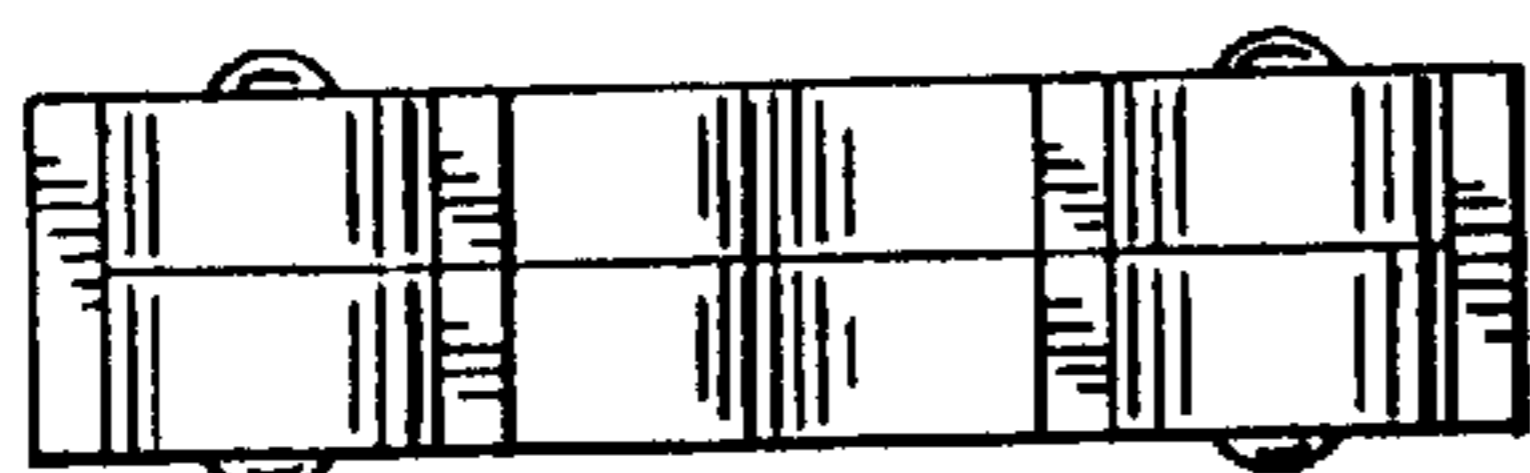
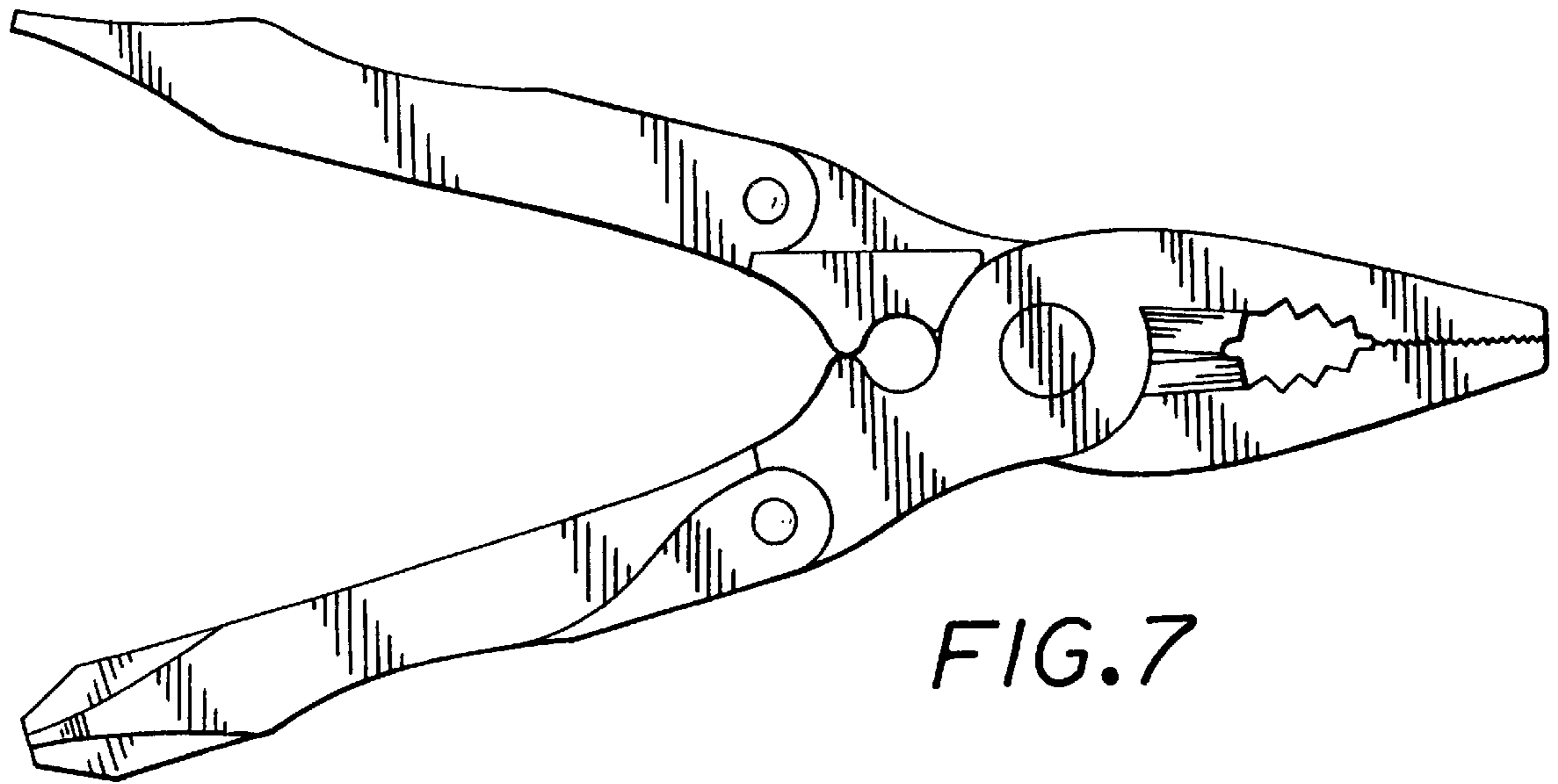
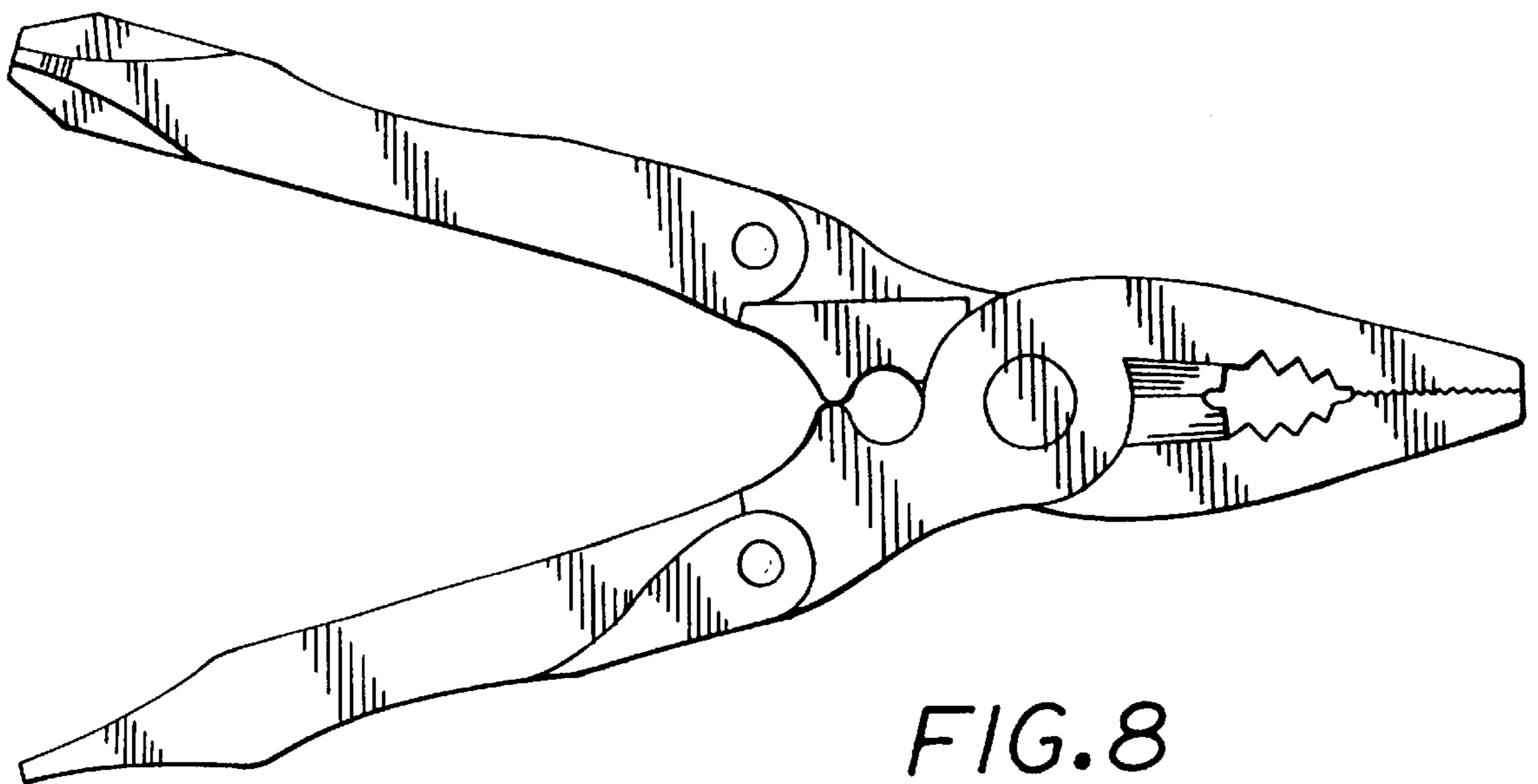


FIG. 6

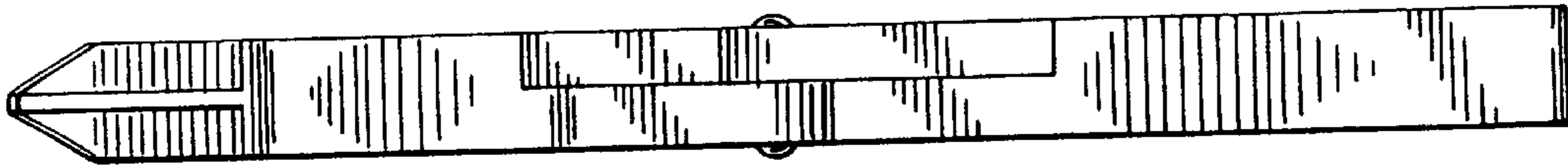




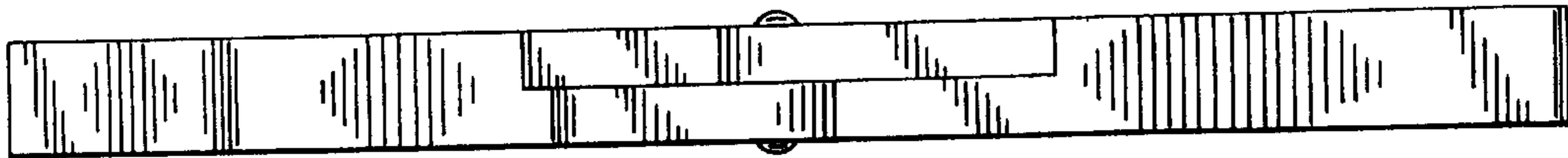
*FIG. 7*



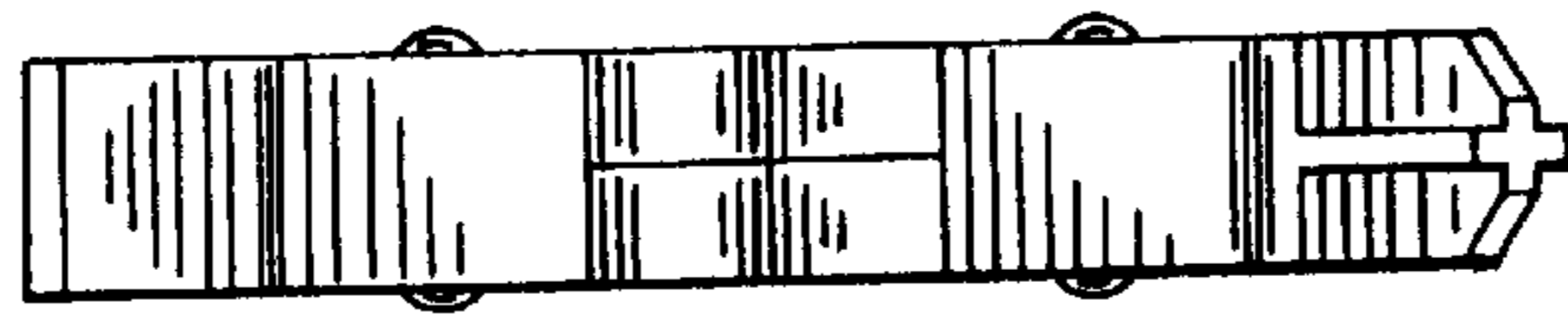
*FIG. 8*



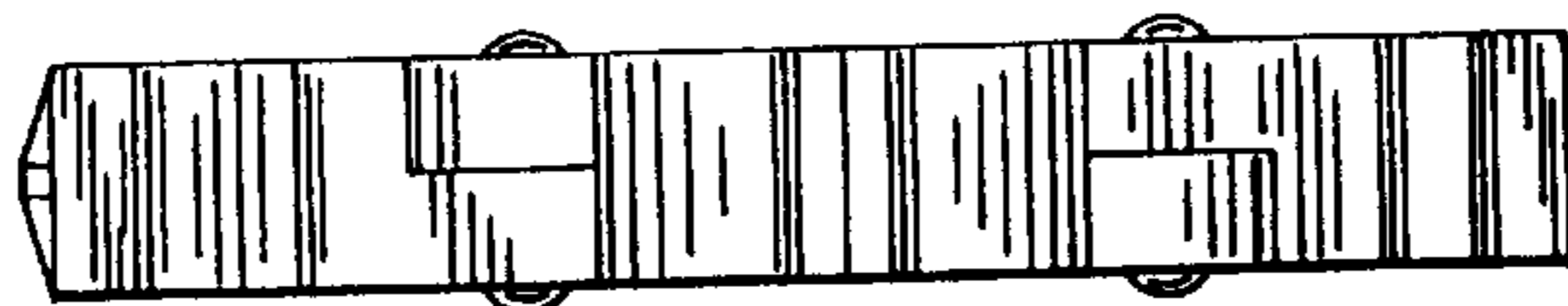
*FIG. 9*



*FIG. 10*



*FIG. 11*



*FIG. 12*