



US00D460330S

(12) **United States Design Patent**
Huang

(10) **Patent No.:** **US D460,330 S**

(45) **Date of Patent:** **** Jul. 16, 2002**

(54) **CAN OPENER**

(76) Inventor: **Chiu-Fong Huang**, No. 16-26, Lun
Din, Shi Hai Village, Tayuan, Taoyuan
(TW)

(**) Term: **14 Years**

(21) Appl. No.: **29/148,658**

(22) Filed: **Sep. 26, 2001**

(51) **LOC (7) Cl.** **07-06**

(52) **U.S. Cl.** **D8/43**

(58) **Field of Search** D8/33-43, 18,
D8/19; 30/400-443, 1.5; 81/3.07-3.49;
7/151-156

(56) **References Cited**

U.S. PATENT DOCUMENTS

1,562,580	A	*	11/1925	Nordhaus	30/417
3,315,353	A	*	4/1967	Thomas	30/416
D277,926	S	*	3/1985	Chow	D8/41
D289,365	S	*	4/1987	Lee	D8/41
D294,449	S	*	3/1988	Kuhn	D8/34
D301,539	S	*	6/1989	Cheung	D8/41

D303,071	S	*	8/1989	Ancona et al.	D8/33
D309,085	S	*	7/1990	Usbeck	D8/33
D339,042	S	*	9/1993	Friend	D8/42
5,787,592	A	*	8/1998	Lai	30/418
D406,027	S	*	2/1999	So	D8/39
6,058,613	A	*	5/2000	So	30/418

* cited by examiner

Primary Examiner—Jeffrey Asch

(74) *Attorney, Agent, or Firm*—Rosenberg, Klein & Lee

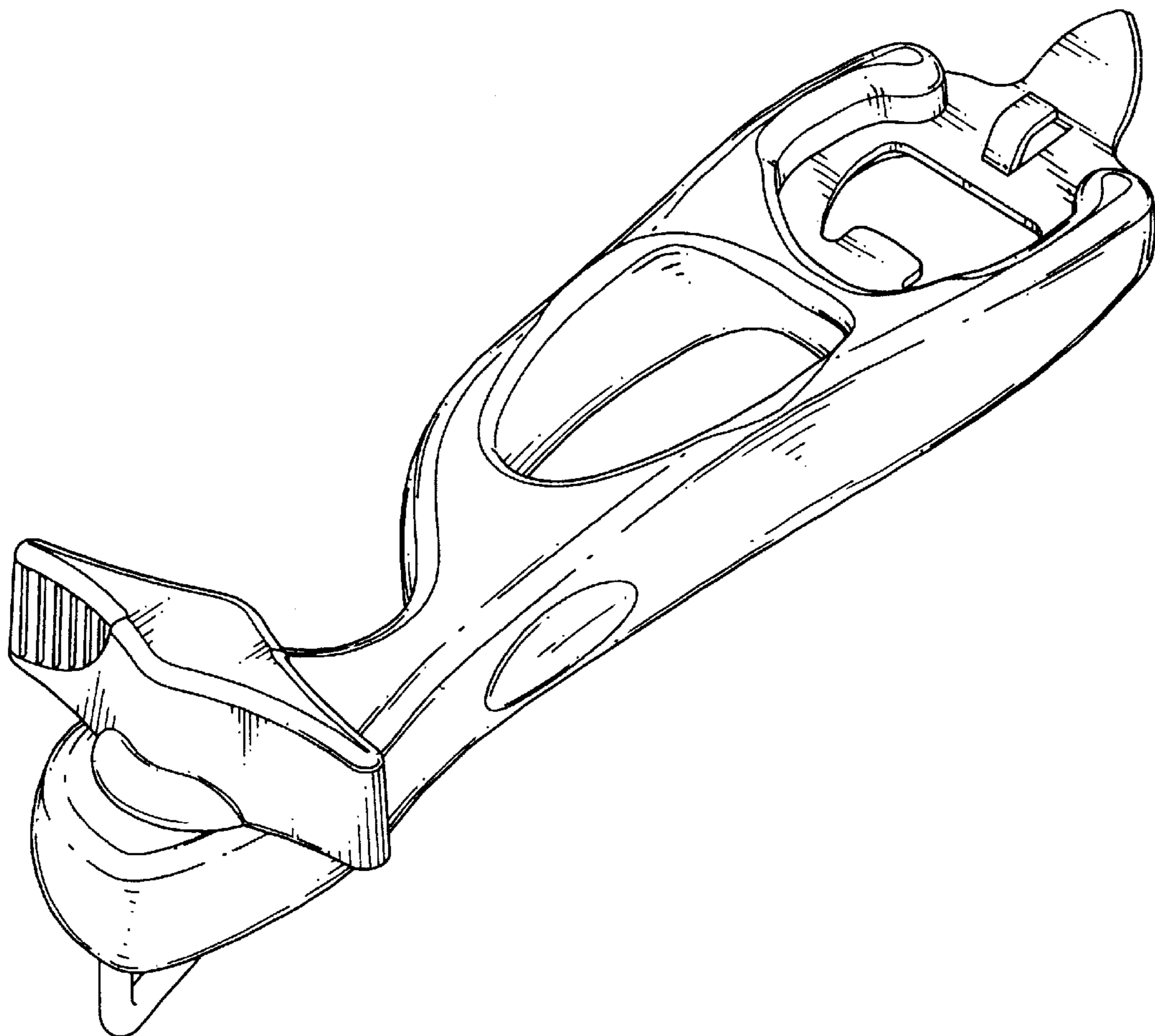
(57) **CLAIM**

The ornamental design for a can opener, as shown and described.

DESCRIPTION

FIG. 1 is a front-right-top perspective view of a can opener, showing my new design;
FIG. 2 is a front elevational view thereof;
FIG. 3 is a rear elevational view thereof;
FIG. 4 is a left elevational view thereof; and
FIG. 5 is a right elevational view thereof;
FIG. 6 is a top plan view thereof; and
FIG. 7 is a bottom plan view thereof.

1 Claim, 4 Drawing Sheets



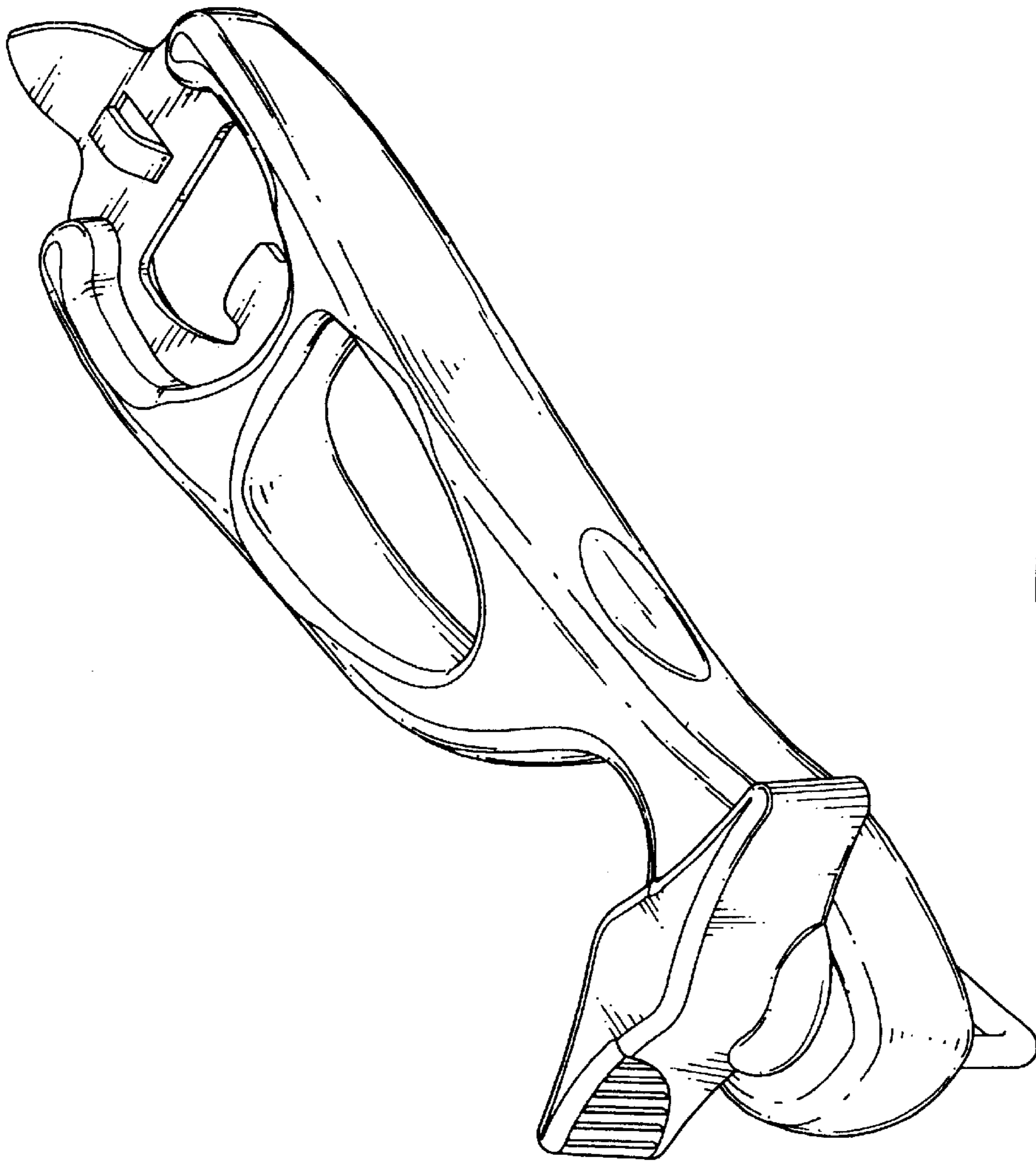


FIG. 1

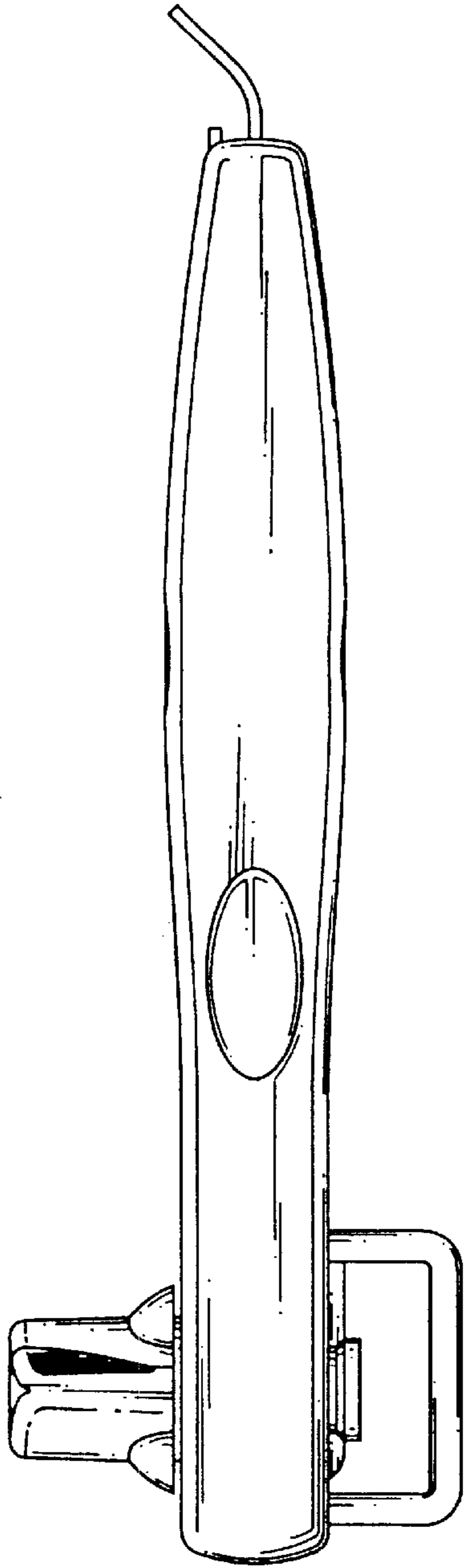


FIG. 2

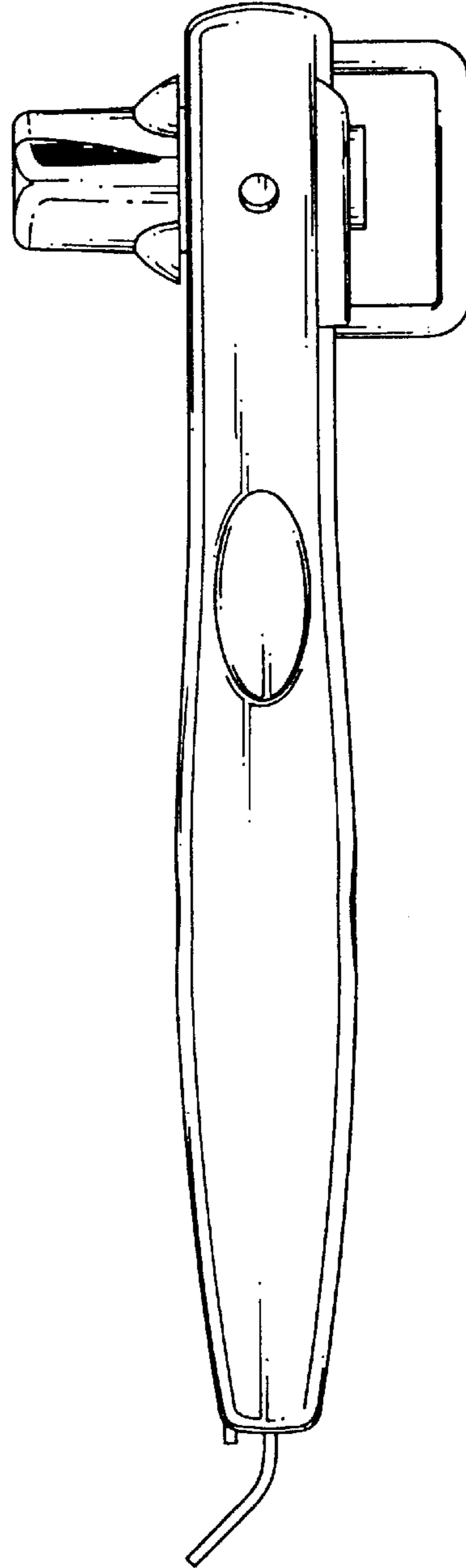


FIG. 3

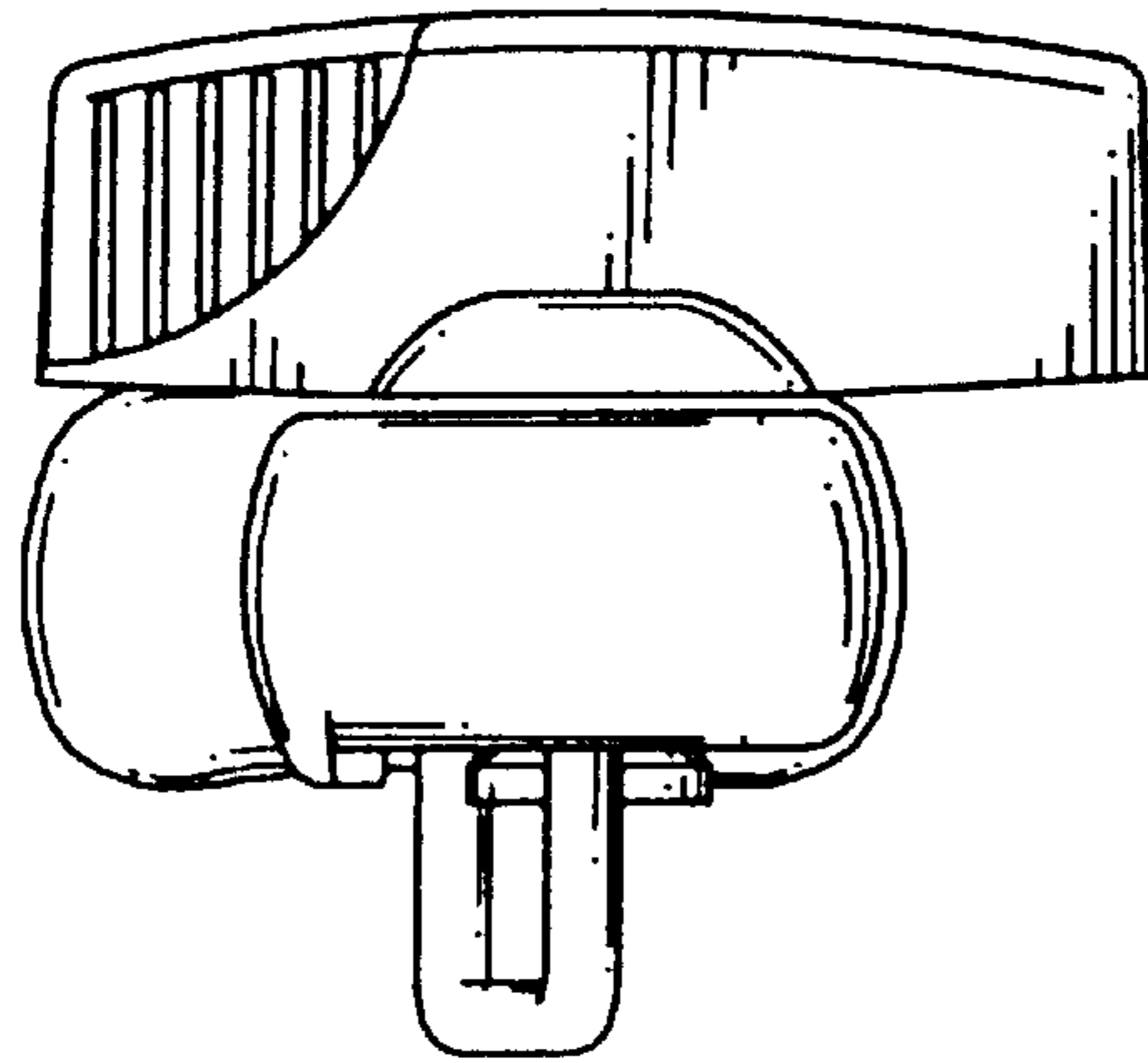


FIG. 4

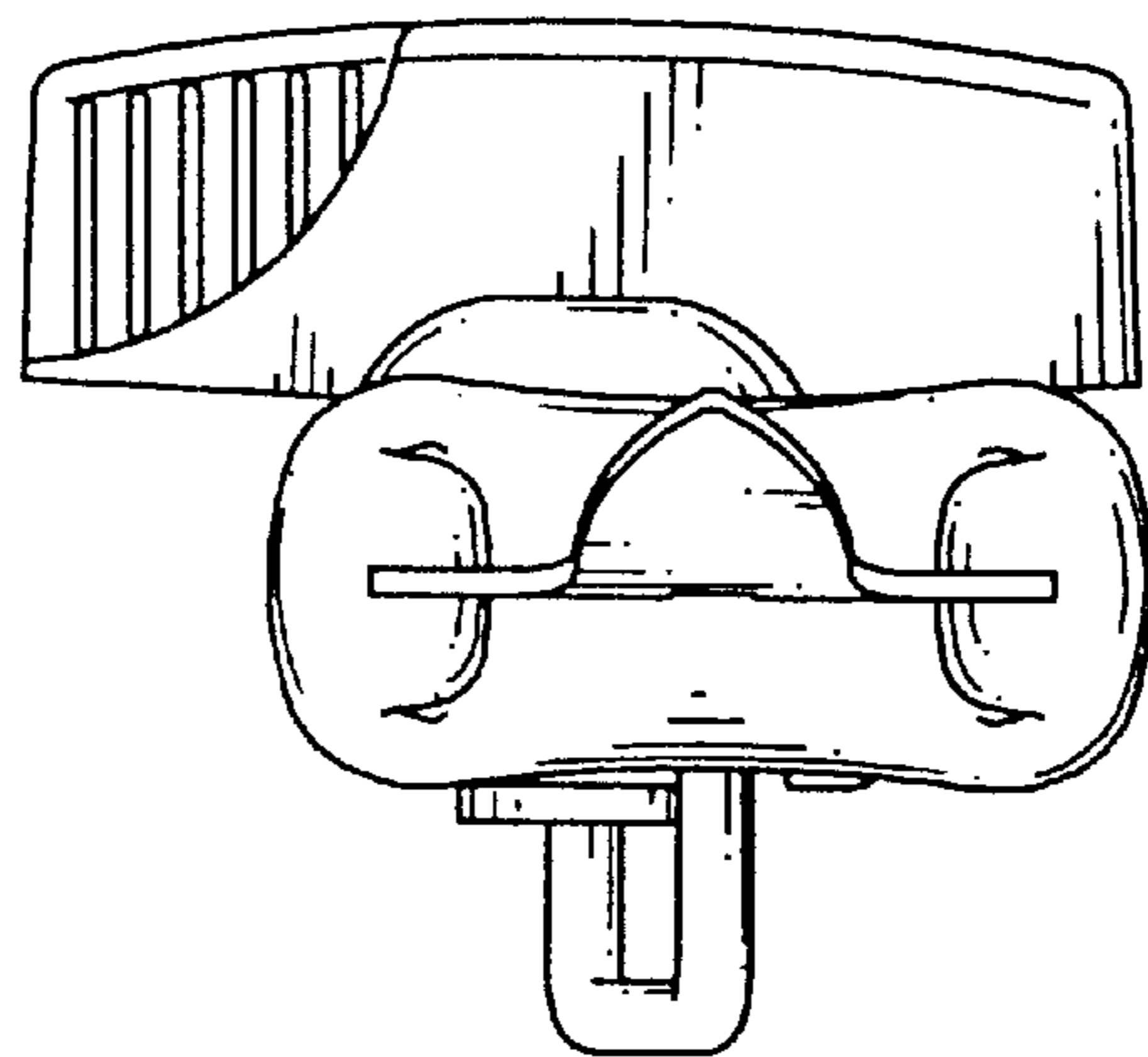


FIG. 5

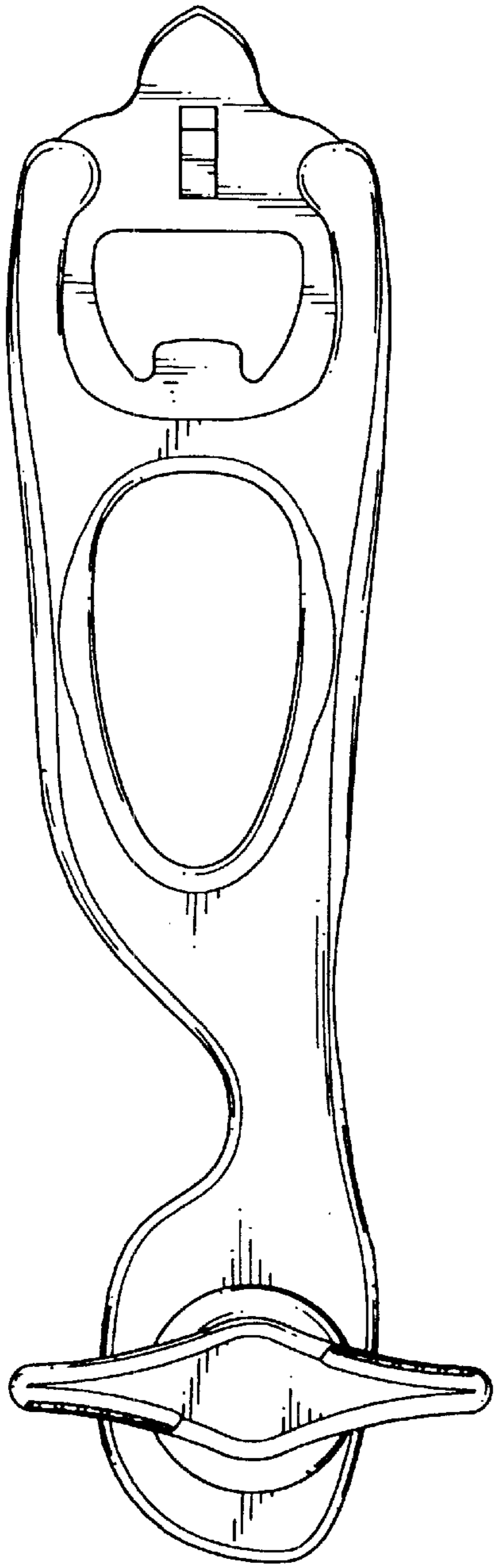


FIG. 6

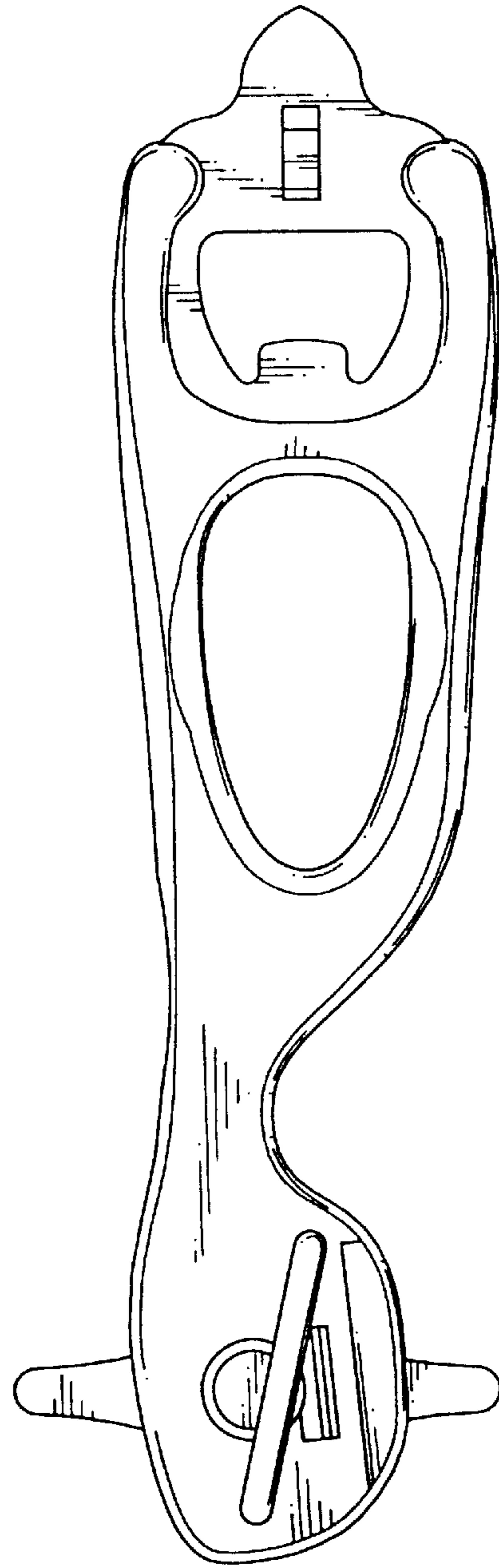


FIG. 7