



US00D460329S

(12) **United States Design Patent**  
**Waldron**

(10) **Patent No.:** **US D460,329 S**

(45) **Date of Patent:** **\*\* \*Jul. 16, 2002**

(54) **HEDGE TRIMMER**

(75) Inventor: **Michael Waldron**, County Durham  
(GB)

(73) Assignee: **Black & Decker, Inc.**, Newark, DE  
(US)

(\*\*) Term: **14 Years**

(21) Appl. No.: **29/141,957**

(22) Filed: **May 16, 2001**

(30) **Foreign Application Priority Data**

Nov. 18, 2000 (GB) ..... 2097530

(51) **LOC (7) Cl.** ..... **08-01**

(52) **U.S. Cl.** ..... **D8/9**

(58) **Field of Search** ..... D8/1, 8, 9; 30/276,  
30/228, 382-3, 216

(56) **References Cited**

**U.S. PATENT DOCUMENTS**

- D307,098 S \* 4/1990 Clivio ..... D8/8
- D313,538 S 1/1991 Fushiya et al.
- D323,771 S 2/1992 Alsup et al.
- D325,856 S 5/1992 Gierke
- D333,953 S 3/1993 Miyoshi et al.
- D351,096 S 10/1994 Gierke
- D354,891 S 1/1995 McJunkin et al.
- D364,541 S \* 11/1995 McJunkin et al. .... D8/8
- D365,256 S 12/1995 Griffin et al.

- D376,740 S \* 12/1996 Gildersleeve ..... D8/8
- D382,451 S \* 8/1997 Kikuchi ..... D8/8
- D388,291 S 12/1997 Gildersleeve
- D397,590 S 9/1998 Meloni et al.
- 5,926,960 A \* 7/1999 Heywood et al. .... 30/228

**OTHER PUBLICATIONS**

Black & Decker Outdoor Products Catalog (pp. 10-13)  
undated.

\* cited by examiner

*Primary Examiner*—Robin V. Taylor

(74) *Attorney, Agent, or Firm*—Ajay K. Gambhir

(57) **CLAIM**

The ornamental design for a hedge trimmer, as shown and  
described.

**DESCRIPTION**

FIG. 1 is a perspective view of the hedge trimmer taken from  
the front and one side;

FIG. 2 is a side elevational view thereof taken from the side  
shown in FIG. 1;

FIG. 3 is a side elevational view thereof taken from the side  
opposite that illustrated in FIG. 2;

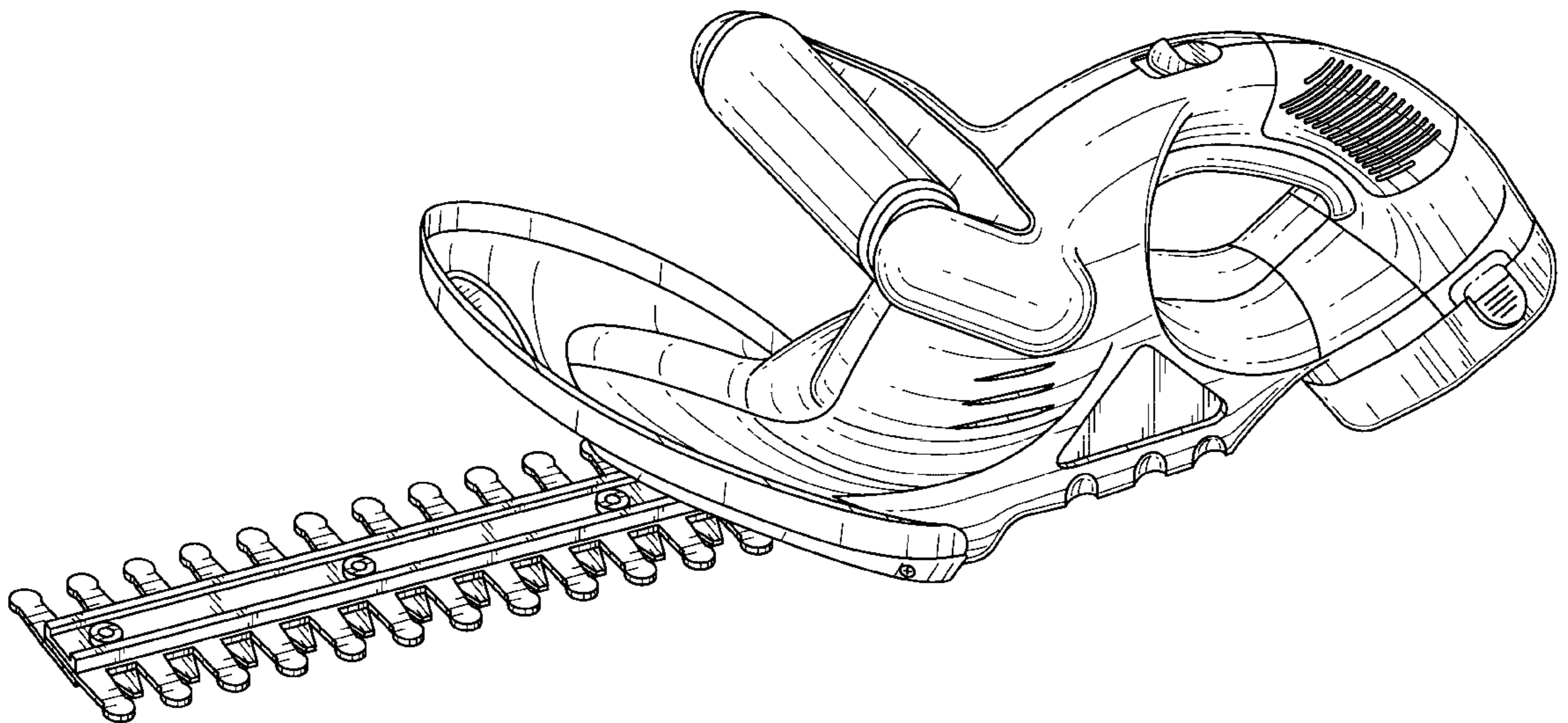
FIG. 4 is a top view thereof;

FIG. 5 is a bottom view thereof;

FIG. 6 is a front elevational view thereof; and,

FIG. 7 is a rear elevational view thereof.

**1 Claim, 6 Drawing Sheets**



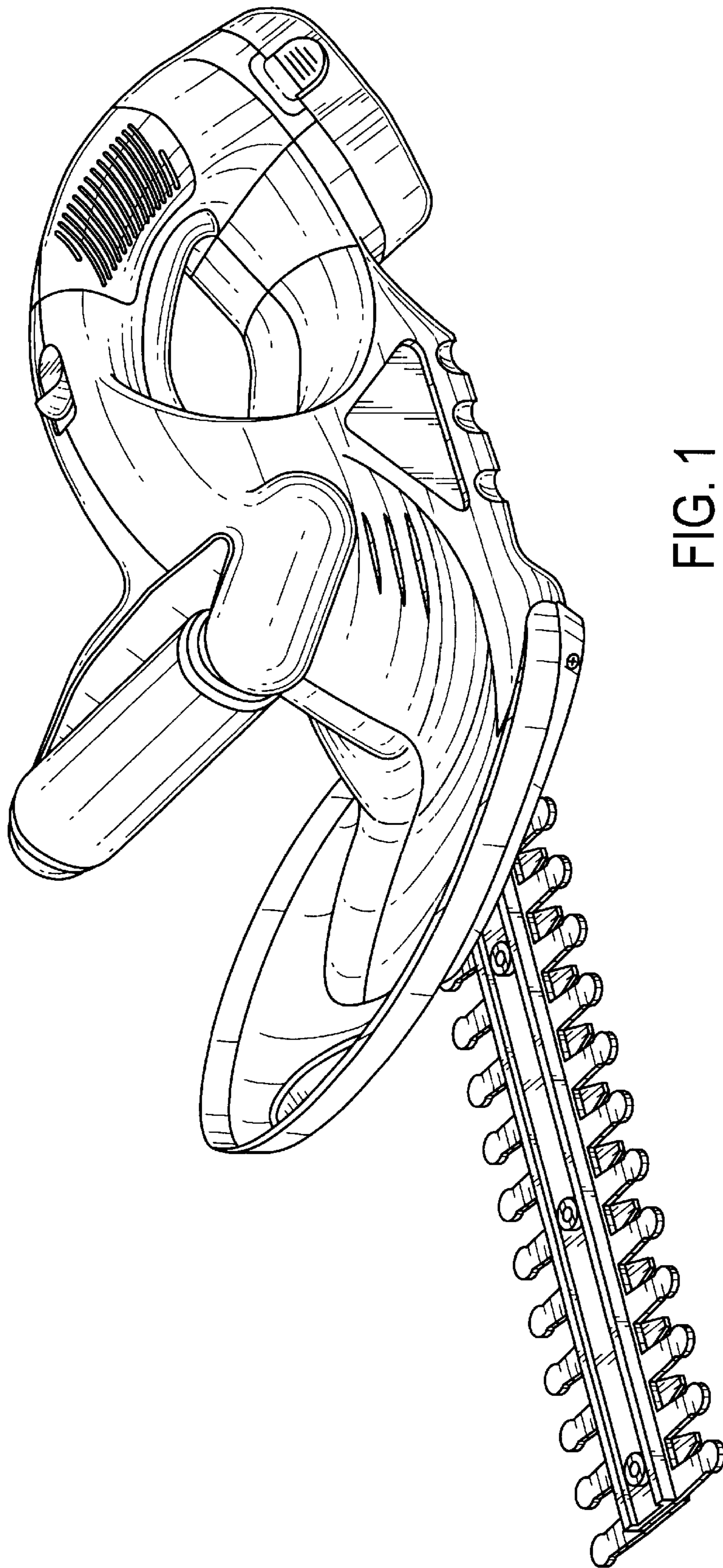


FIG. 1

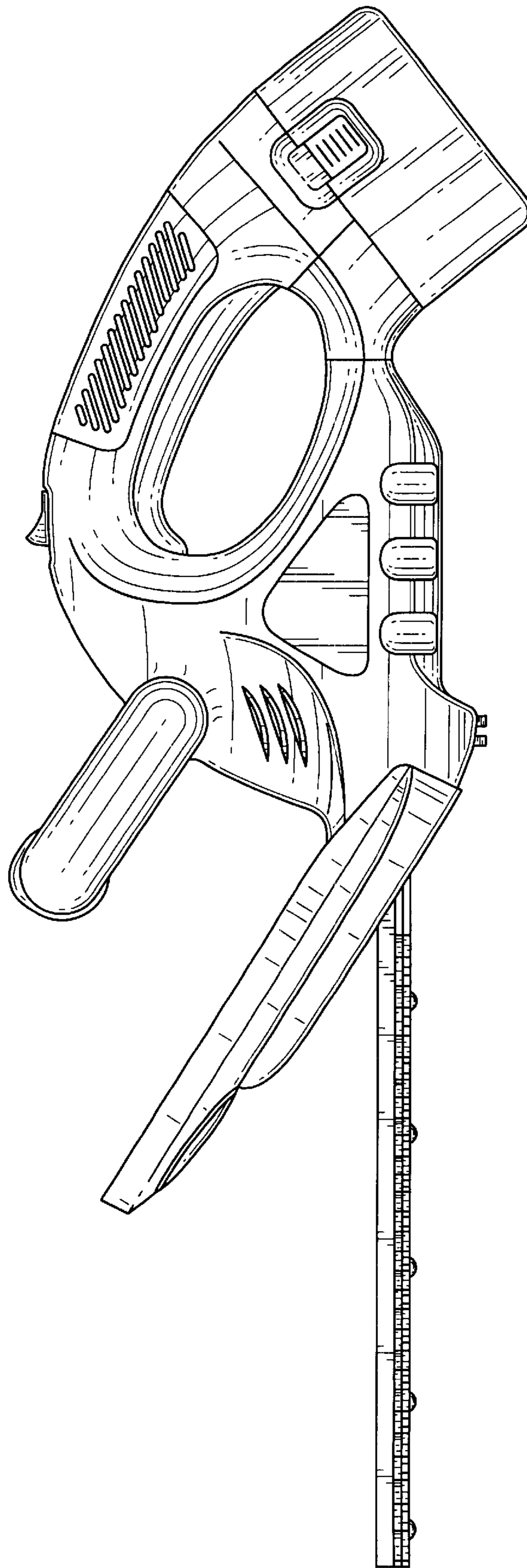


FIG. 2



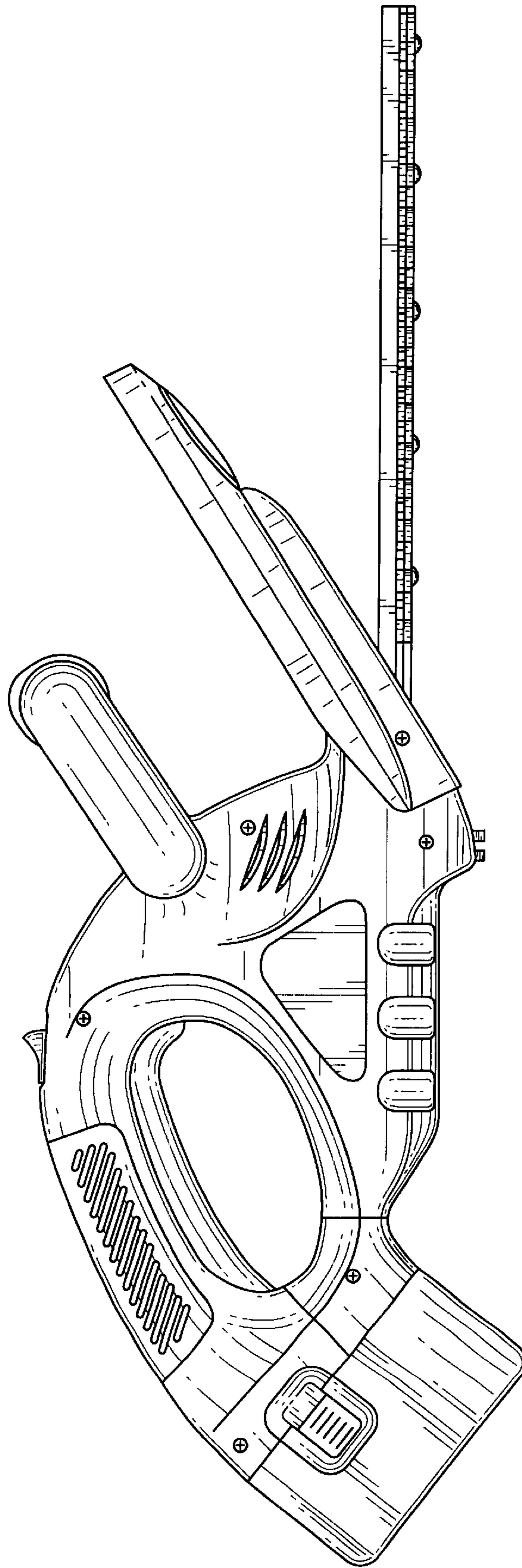


FIG. 3

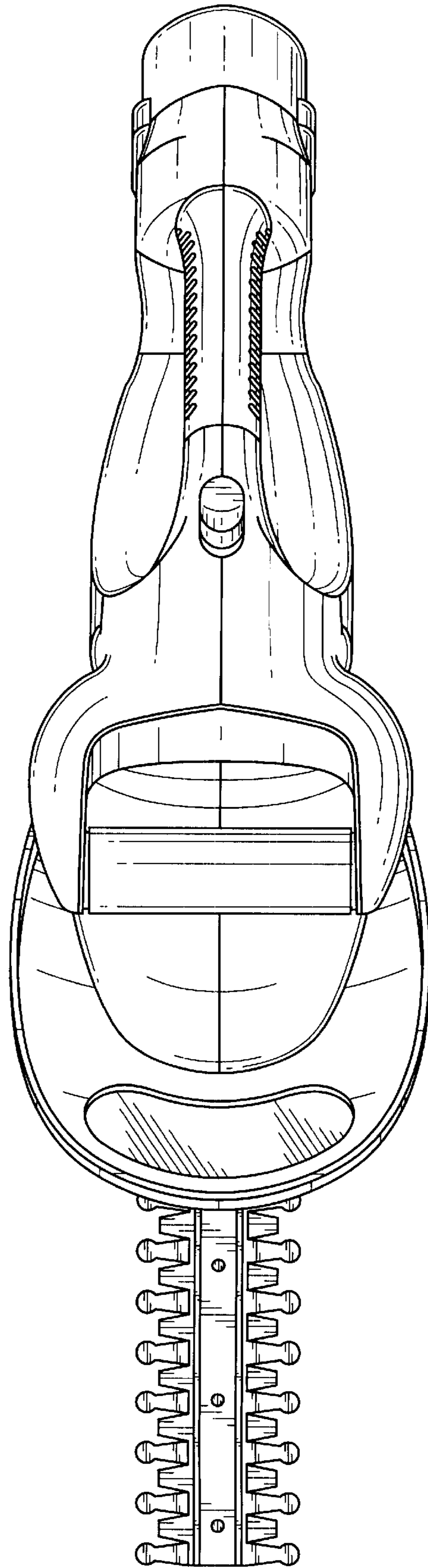


FIG. 4

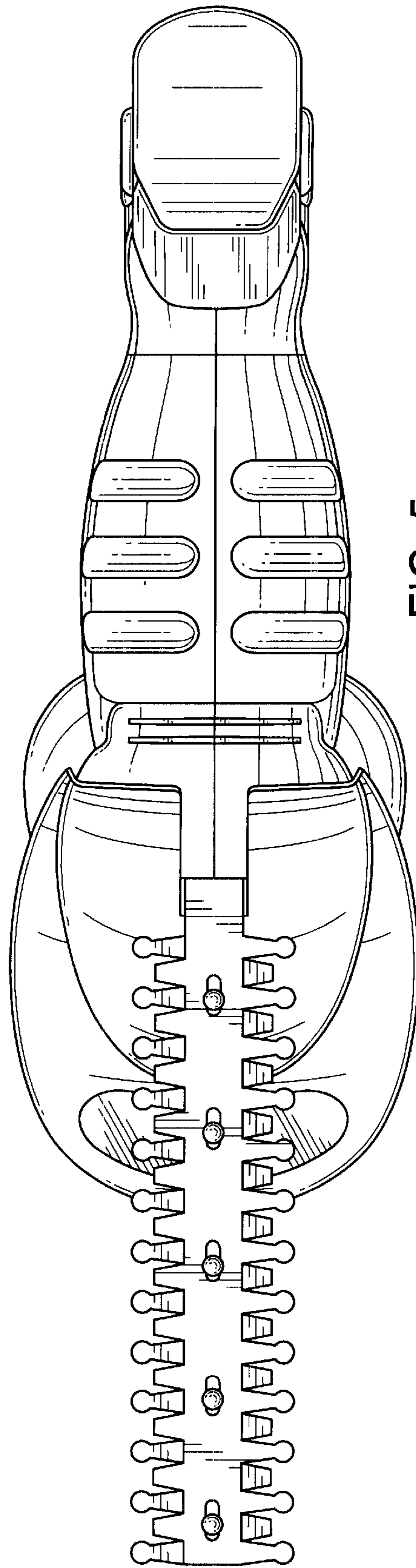


FIG. 5

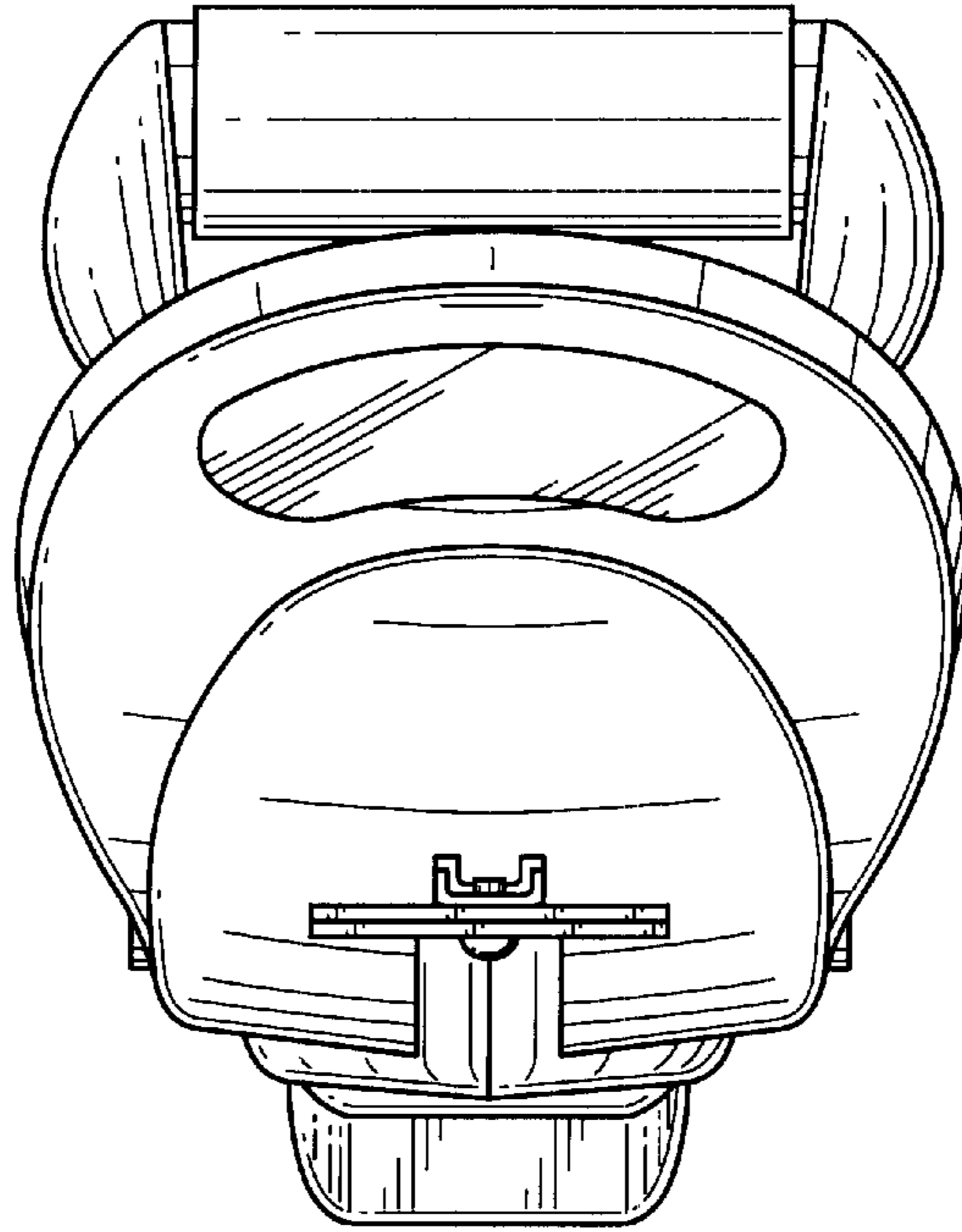


FIG. 6

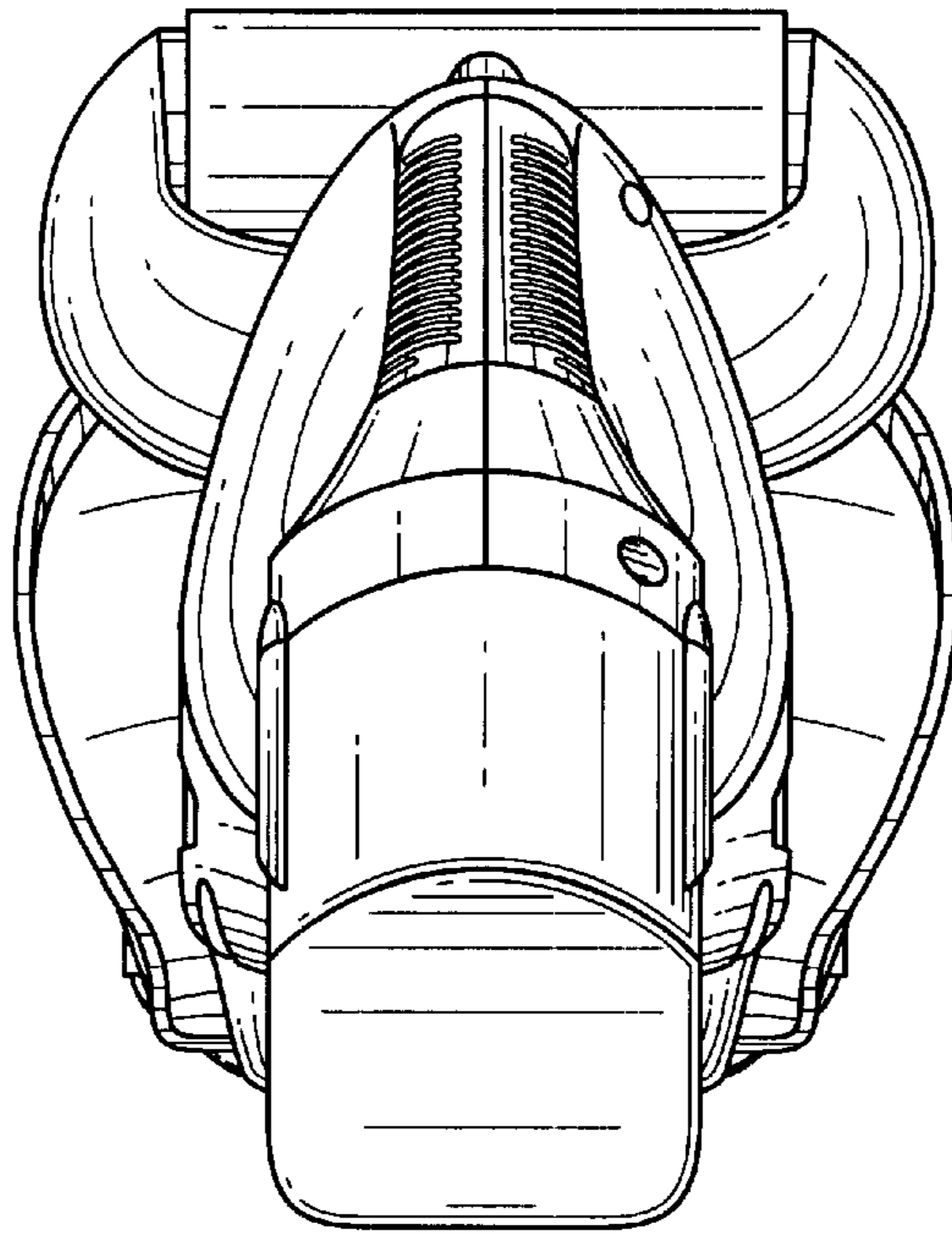


FIG. 7