



US00D460322S

(12) **United States Design Patent**  
**Orr et al.**

(10) **Patent No.:** **US D460,322 S**

(45) **Date of Patent:** **\*\* Jul. 16, 2002**

(54) **HANDLED DRINKING CUP FOR CHILDREN**

(75) Inventors: **James D. Orr**, Columbus; **Michael A. Lorenz, Jr.**, Gahanna, both of OH (US)

(73) Assignee: **The First Years Inc.**, DE (US)

(\*\*) Term: **14 Years**

(21) Appl. No.: **29/142,758**

(22) Filed: **Jun. 1, 2001**

(51) **LOC (7) Cl.** ..... **07-01**

(52) **U.S. Cl.** ..... **D7/510; D7/511; D7/534; D7/536**

(58) **Field of Search** ..... D7/510, 511, 391, D7/392.1, 523, 533, 536, 534, 392; 222/568, 509; 220/603, 710.5, 714, 254, 717, 526, 555, 715; 215/11.1, 398

(56) **References Cited**

**U.S. PATENT DOCUMENTS**

2,792,696	A	*	5/1957	Stayart	.....	215/11.1
D216,730	S	*	3/1970	Carslaw	.....	D7/510
D233,972	S	*	12/1974	Juhlin	.....	D7/511
D279,752	S	*	7/1985	Jagger	.....	D7/510
D322,196	S	*	12/1991	Ohnuki	.....	D7/510
D326,796	S	*	6/1992	Kawano	.....	D7/510
5,294,018	A	*	3/1994	Boucher	.....	220/603
D346,932	S	*	5/1994	Cautereels et al.	.....	D7/507

D354,416	S	*	1/1995	Cautereels et al.	.....	D7/507
D359,417	S	*	6/1995	Chen	.....	D7/510
D364,314	S	*	11/1995	Humphrey et al.	.....	D7/510
D366,987	S	*	2/1996	Allegre	.....	D7/510
D366,988	S	*	2/1996	Nowak	.....	D7/534
D407,269	S	*	3/1999	Fletcher	.....	D7/510
D421,878	S	*	3/2000	Roehrig	.....	D7/510
D434,944	S	*	12/2000	Randolph	.....	D7/510
D442,435	S	*	5/2001	Takagi	.....	D7/510
D446,685	S	*	8/2001	Atkin et al.	.....	D7/510

\* cited by examiner

*Primary Examiner*—M. N. Pandozzi

(74) *Attorney, Agent, or Firm*—Fish & Richardson P.C.

(57) **CLAIM**

The ornamental design for a handled drinking cup for children, as shown and described.

**DESCRIPTION**

FIG. 1 is a perspective view of a handled drinking cup for children.

FIG. 2 is a left side elevational view thereof;

FIG. 3 is a right side elevational view thereof;

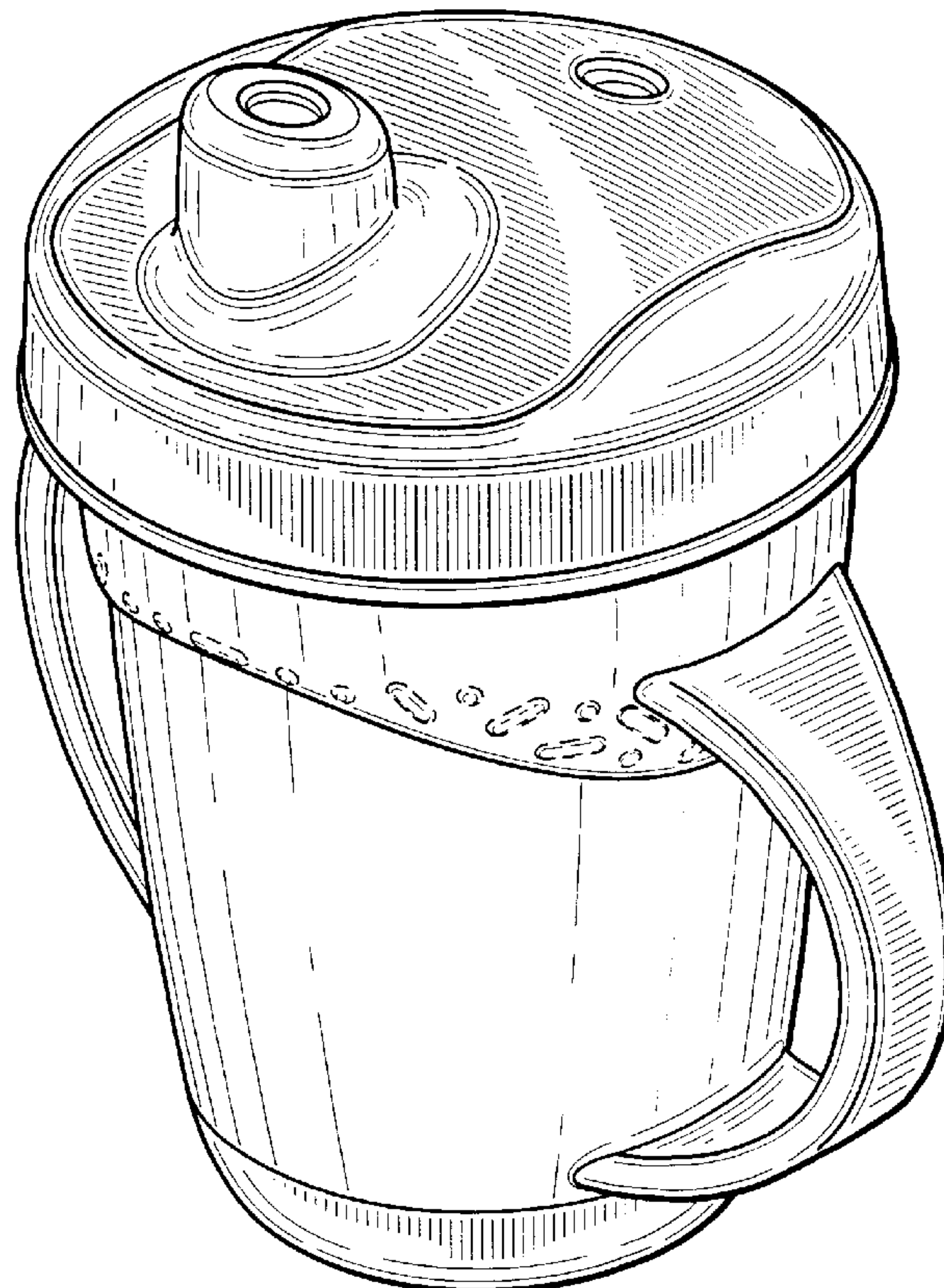
FIG. 4 is a front elevational view thereof;

FIG. 5 is a rear elevational view thereof;

FIG. 6 is a top plan view thereof; and,

FIG. 7 is a bottom plan view thereof.

**1 Claim, 4 Drawing Sheets**



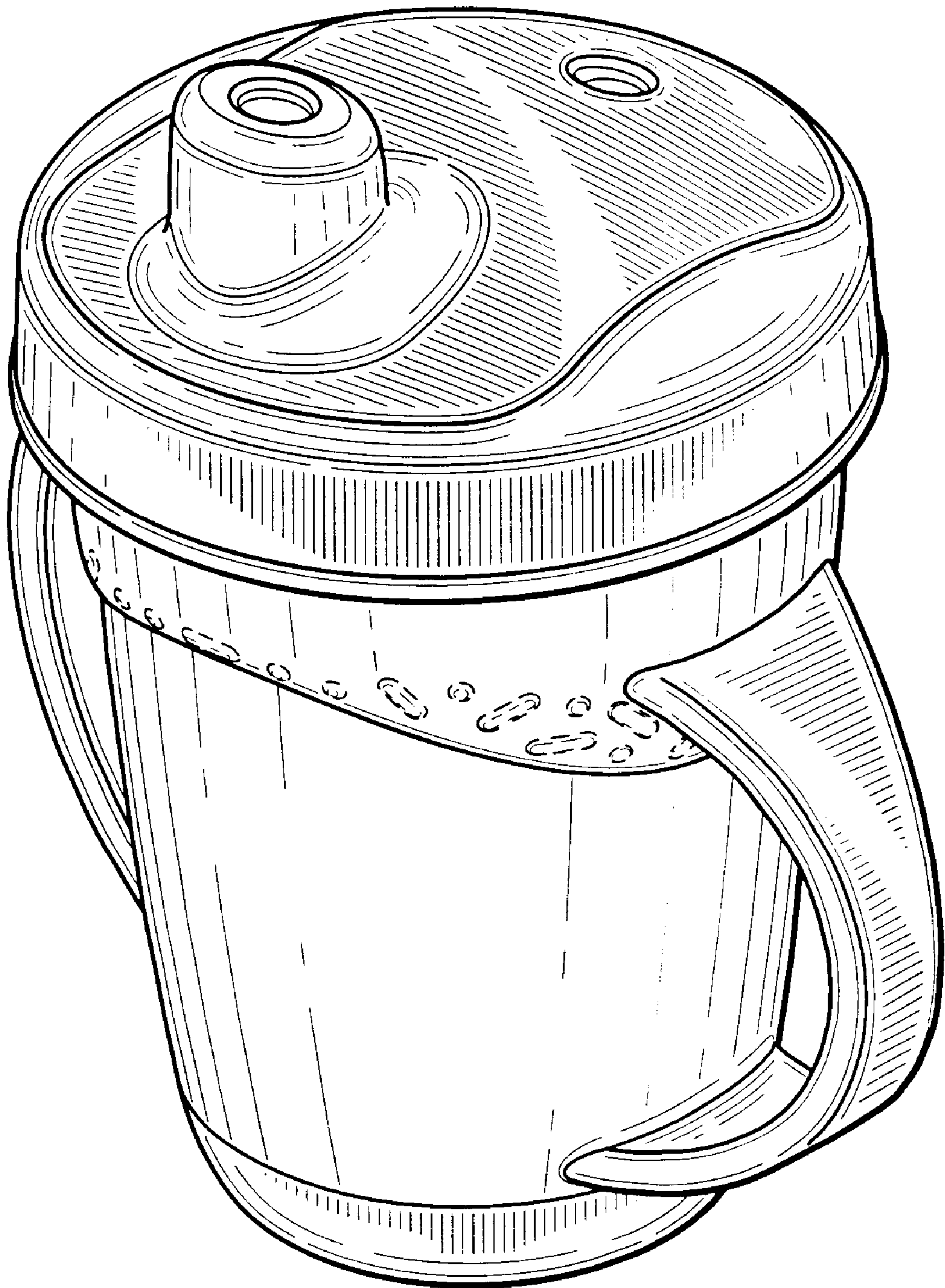


FIG. 1

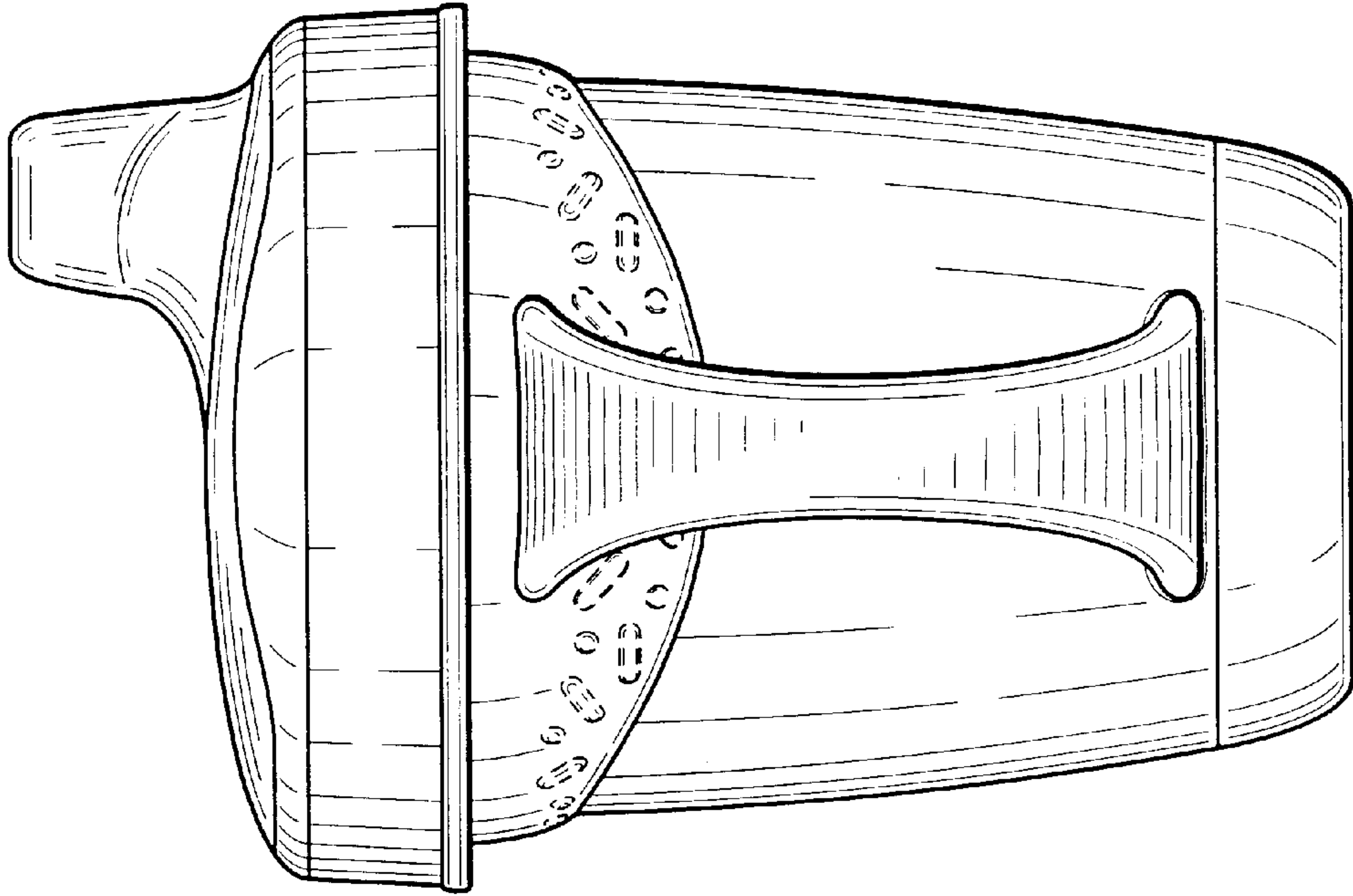


FIG. 3

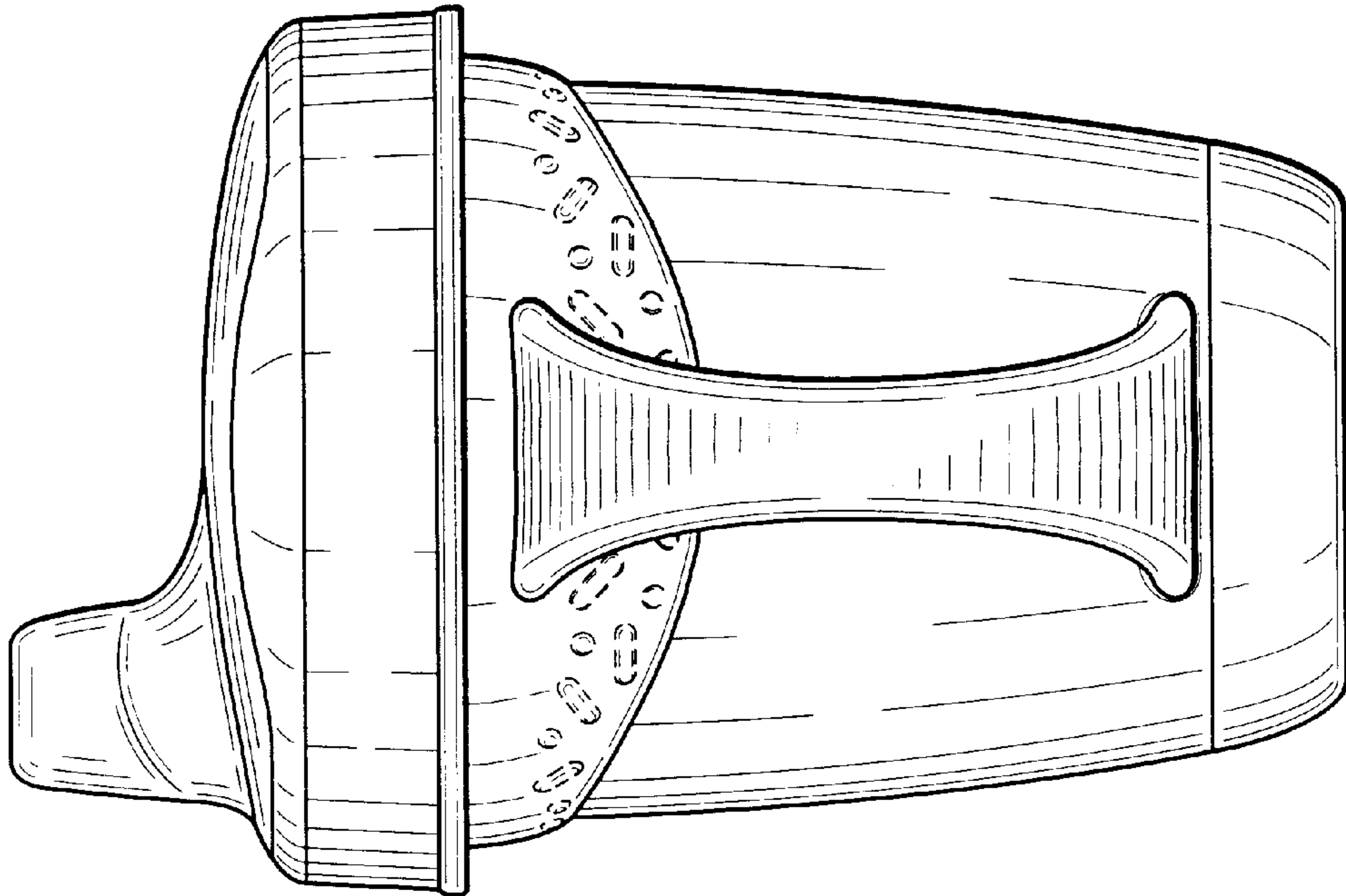


FIG. 2



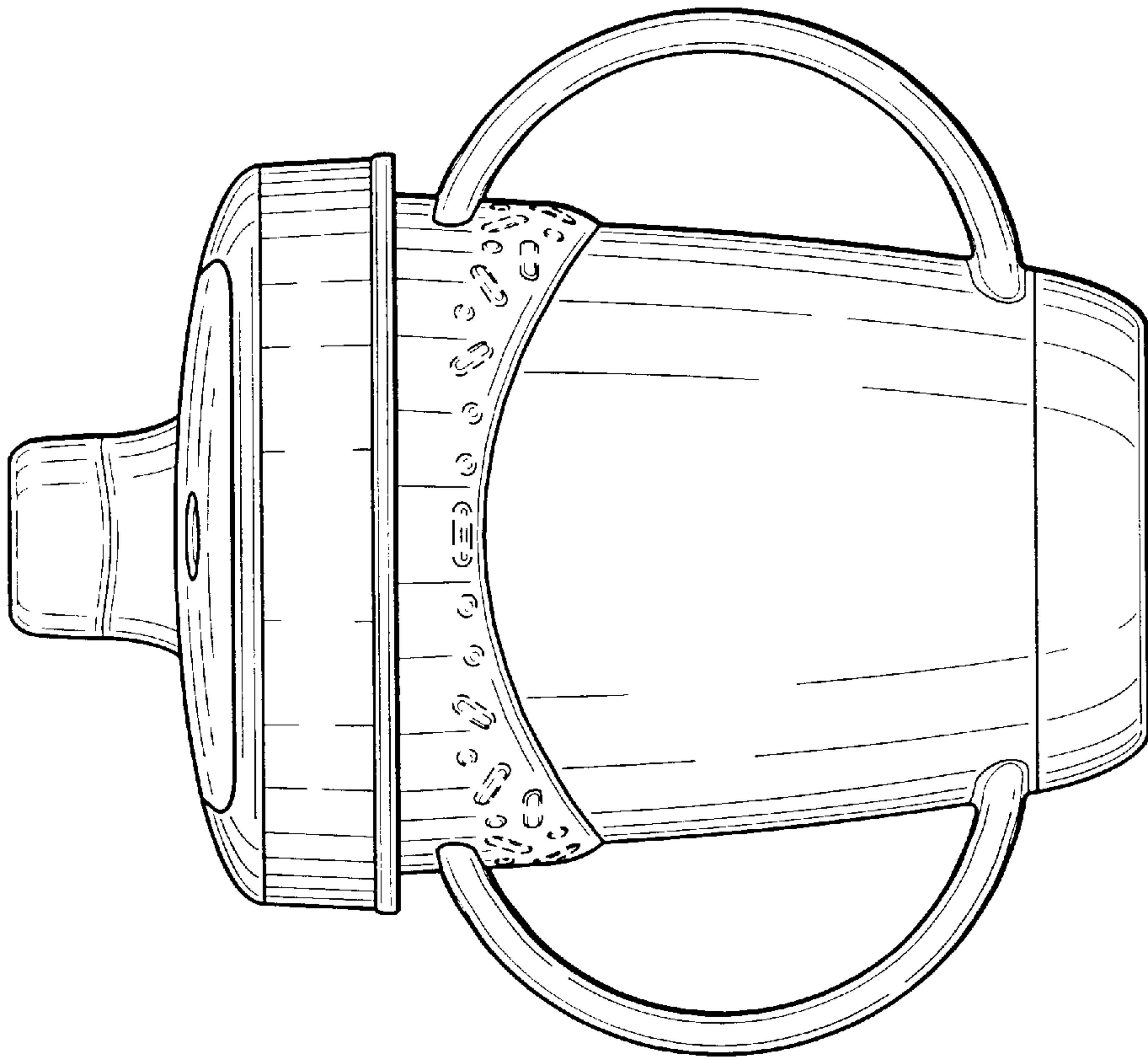


FIG. 5

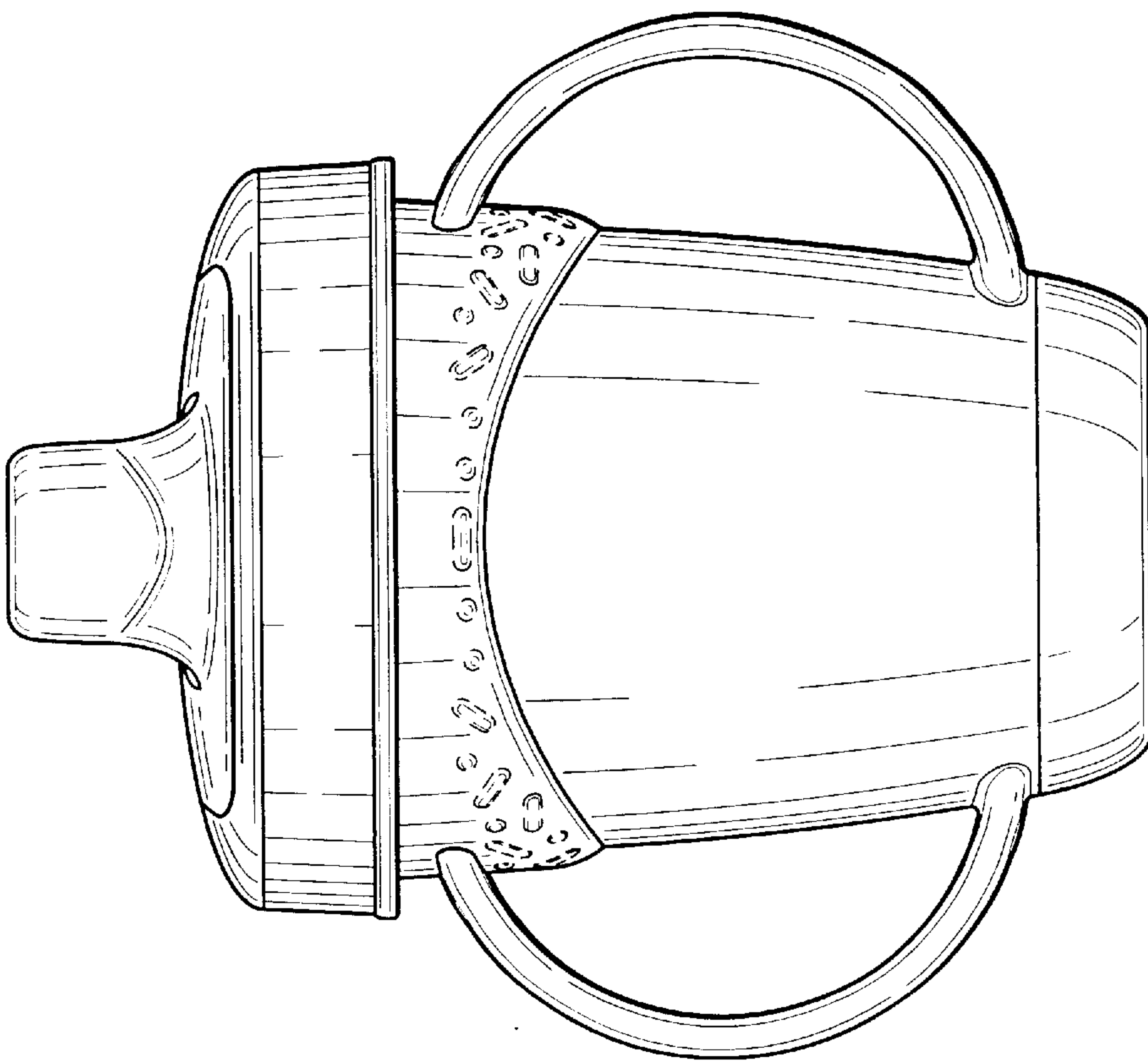


FIG. 4

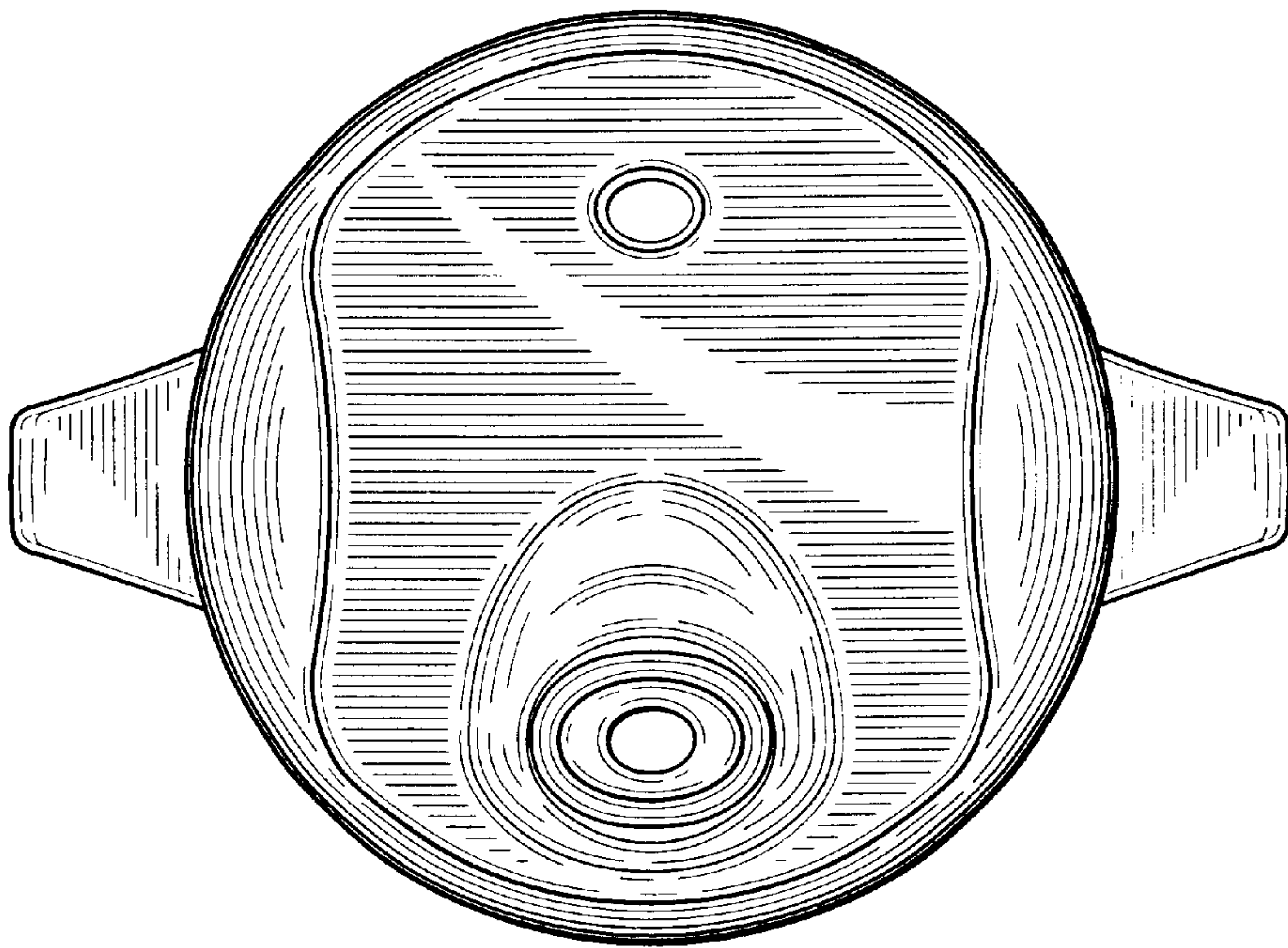


FIG. 6

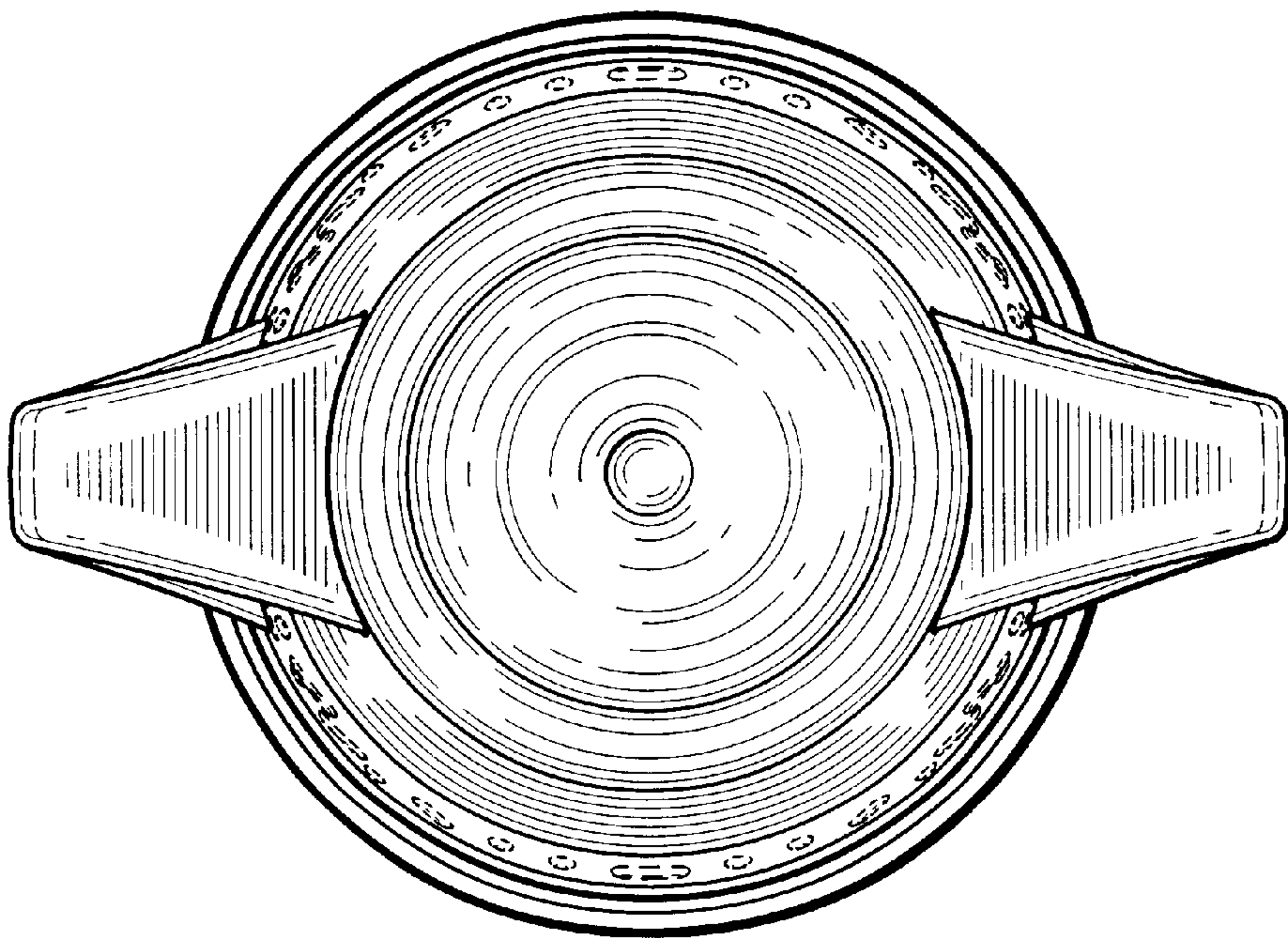


FIG. 7