



US00D460321S

(12) **United States Design Patent**  
**Ross**

(10) **Patent No.:** **US D460,321 S**

(45) **Date of Patent:** **\*\* Jul. 16, 2002**

(54) **ICE CREAM CONTAINER AND SAUCER**

(74) *Attorney, Agent, or Firm*—Virginia S. Medlen

(76) **Inventor:** **Elizabeth Gail Ross**, 373 Fourth St.,  
#2C, Oakland, CA (US) 94607

(57) **CLAIM**

(\*\*) **Term:** **14 Years**

I claim the ornamental design for an ice cream container and saucer, substantially as shown.

(21) **Appl. No.:** **29/141,403**

**DESCRIPTION**

(22) **Filed:** **May 3, 2001**

(51) **LOC (7) Cl.** ..... **07-01**

(52) **U.S. Cl.** ..... **D7/506; D7/515; D7/571**

(58) **Field of Search** ..... **D7/505, 507, 506,**  
**D7/563, 571, 515, 500, 564, 622, 623,**  
**511, 625; D1/105; D11/157; D9/329, 553;**  
**229/400, 932; 248/146; 426/105, 100, 101,**  
**132; 206/553; 220/671; 215/392; 294/137**

FIG. 1 is a side view of an ice cream container and saucer, showing my new design;

FIG. 2 is a side view of the container portion of the ice cream container and saucer with the saucer removed for ease of illustration;

FIG. 3 is a side view of the saucer portion of the ice cream container and saucer with the container removed for ease of illustration;

FIG. 4 is a top view of the ice cream container portion of the ice cream container and saucer with the saucer removed for ease of illustration;

FIG. 5 is a bottom view thereof;

FIG. 6 is a top view of the saucer portion of the ice cream container and saucer with the container removed for ease of illustration;

FIG. 7 is a bottom view thereof;

FIG. 8 is a cross-sectional view taken along line 8—8 of FIG. 4 of the ice cream container portion of the Ice cream container and saucer with the saucer removed for ease of illustration; and,

FIG. 9 is a cross-sectional view taken along line 9—9 of FIG. 6 of the saucer portion of the ice cream container and saucer with the container removed for ease of illustration.

(56) **References Cited**

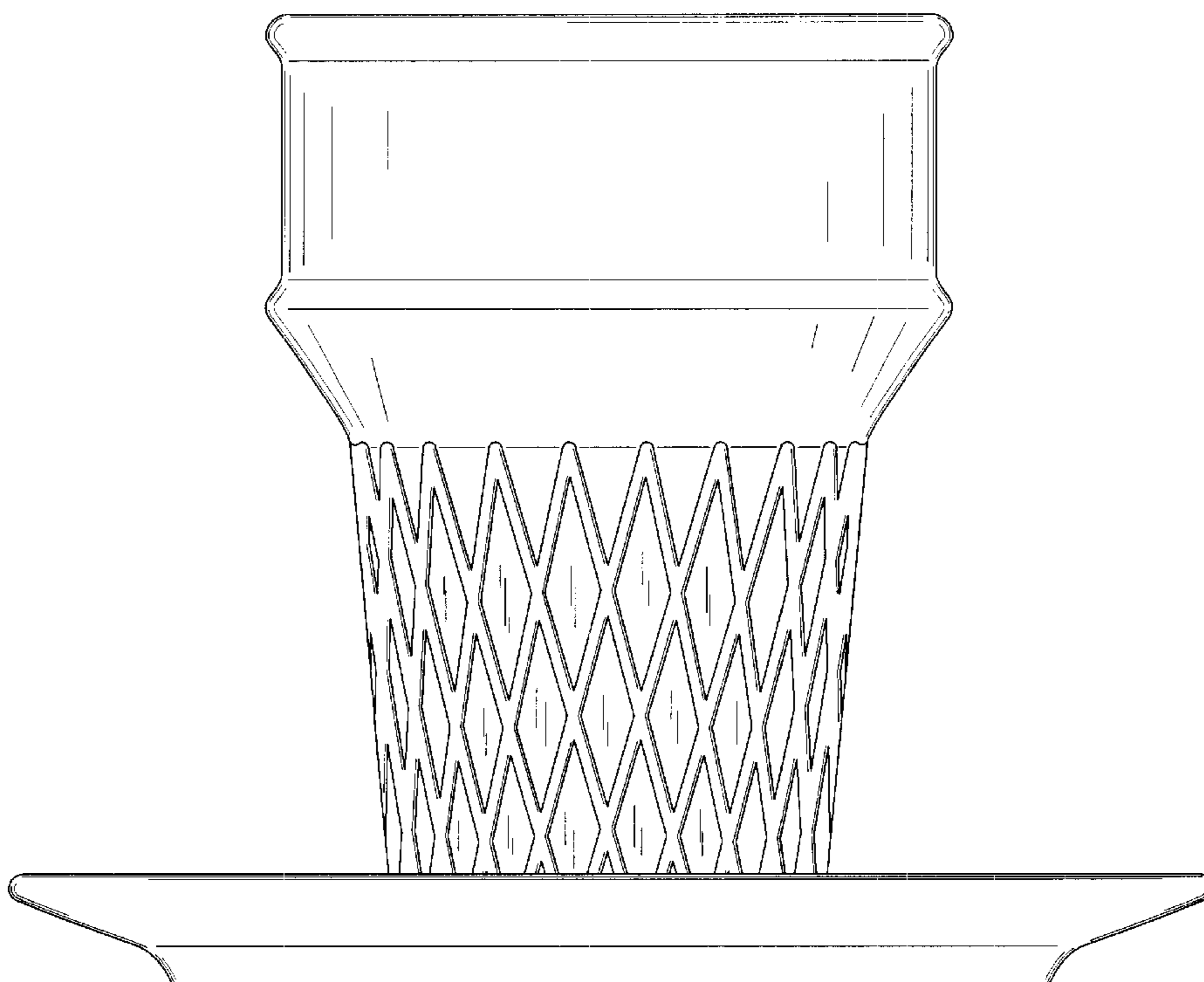
**U.S. PATENT DOCUMENTS**

2,948,452	A	*	8/1960	Grogan et al.	.....	215/392
D216,215	S	*	12/1969	Swett et al.	.....	D7/505
D258,483	S	*	3/1981	Weinstein	.....	D7/511
D284,726	S	*	7/1986	Appel	.....	D7/511
D285,032	S	*	8/1986	Alonzo	.....	D7/523
4,720,037	A	*	1/1988	Alpert	.....	294/137
D303,194	S	*	9/1989	Darby et al.	.....	D7/507
D395,230	S	*	6/1998	Slater	.....	D9/329
D452,761	S	*	1/2002	Swift	.....	D1/105

\* cited by examiner

*Primary Examiner*—M. N. Pandozzi

**1 Claim, 6 Drawing Sheets**



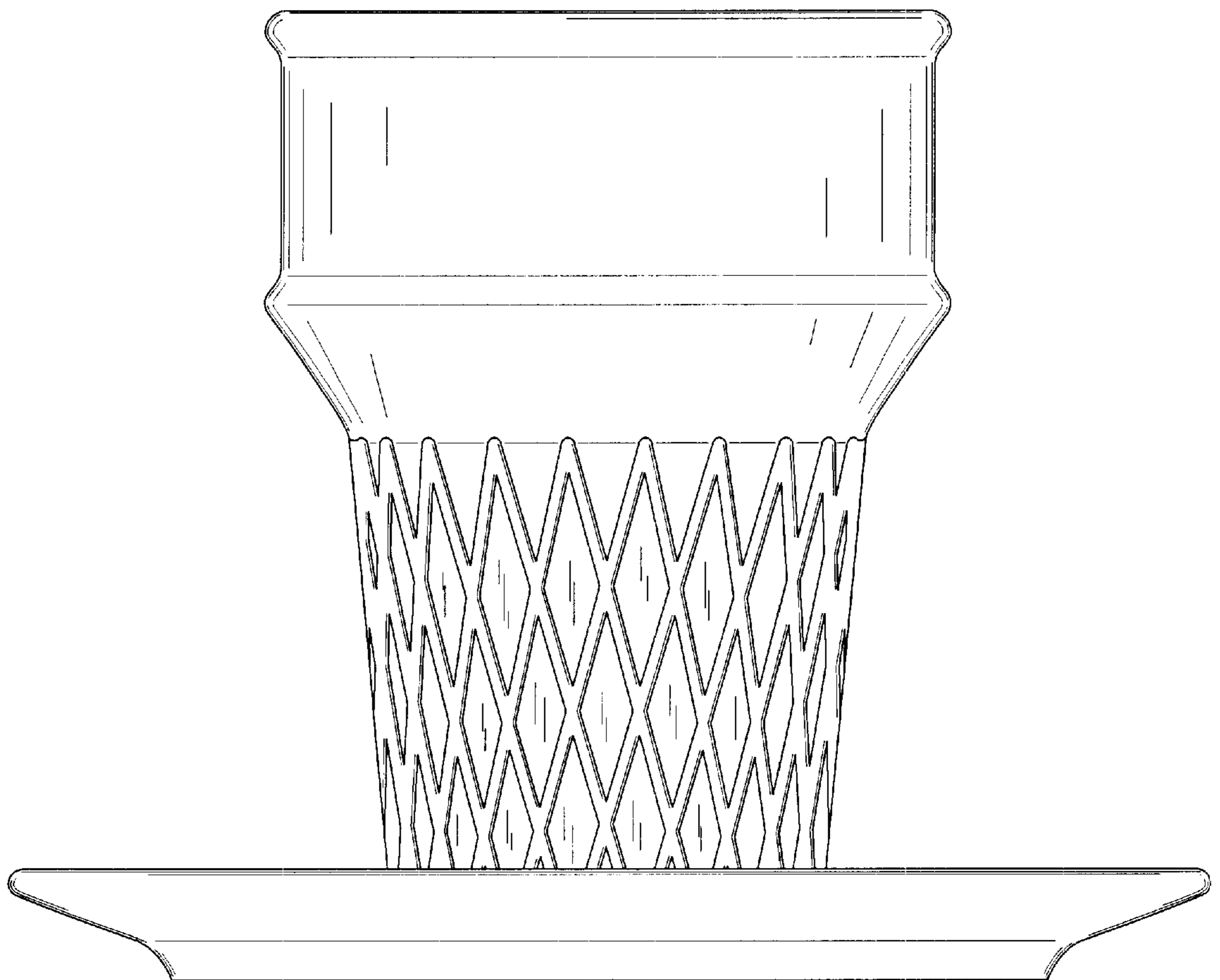


FIG. 1

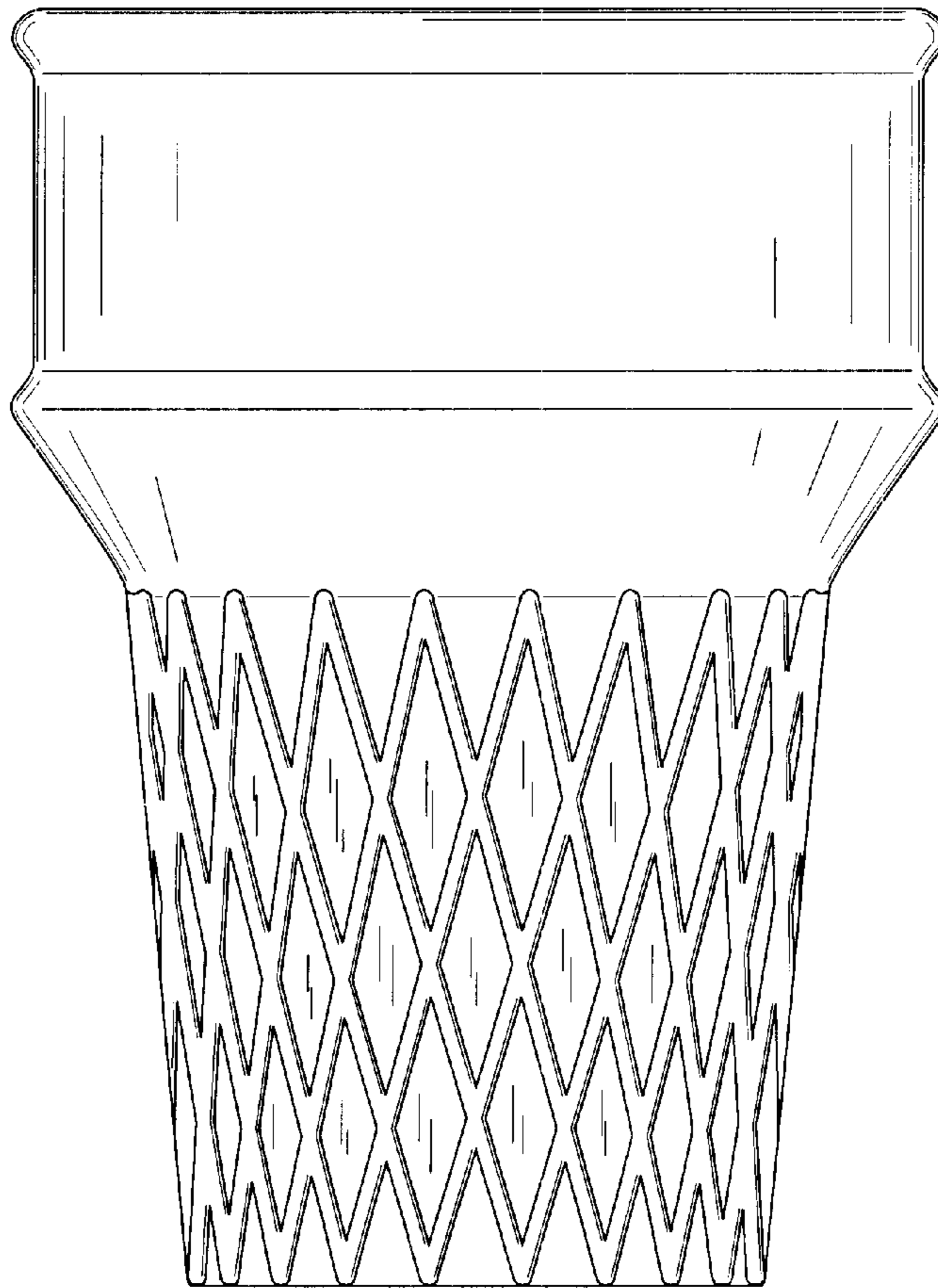


FIG. 2

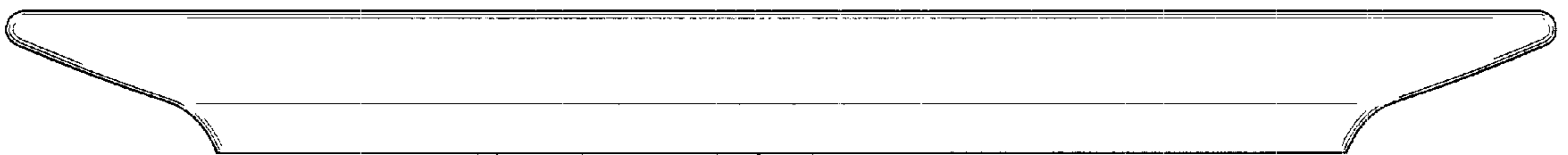


FIG. 3

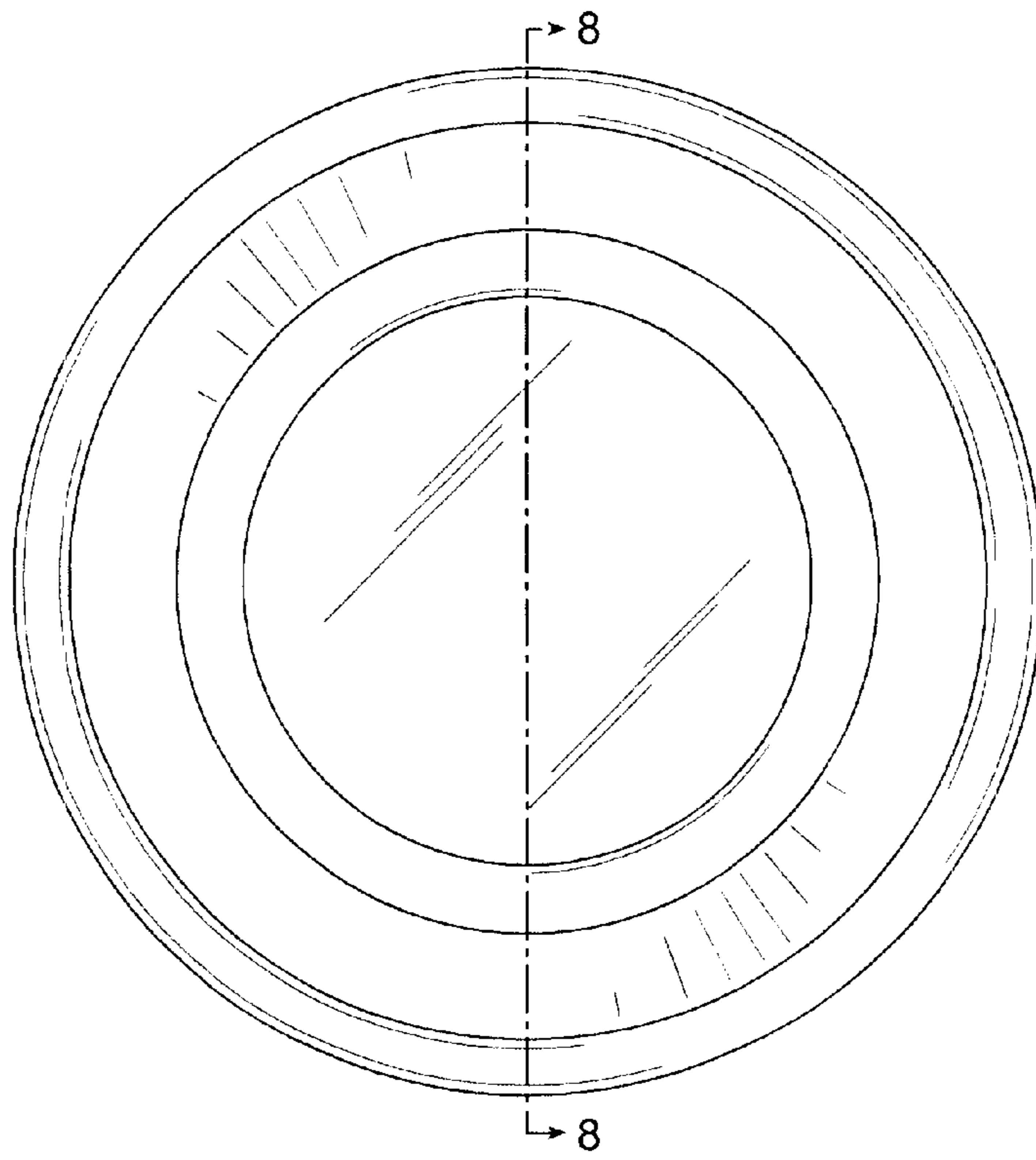


FIG. 4

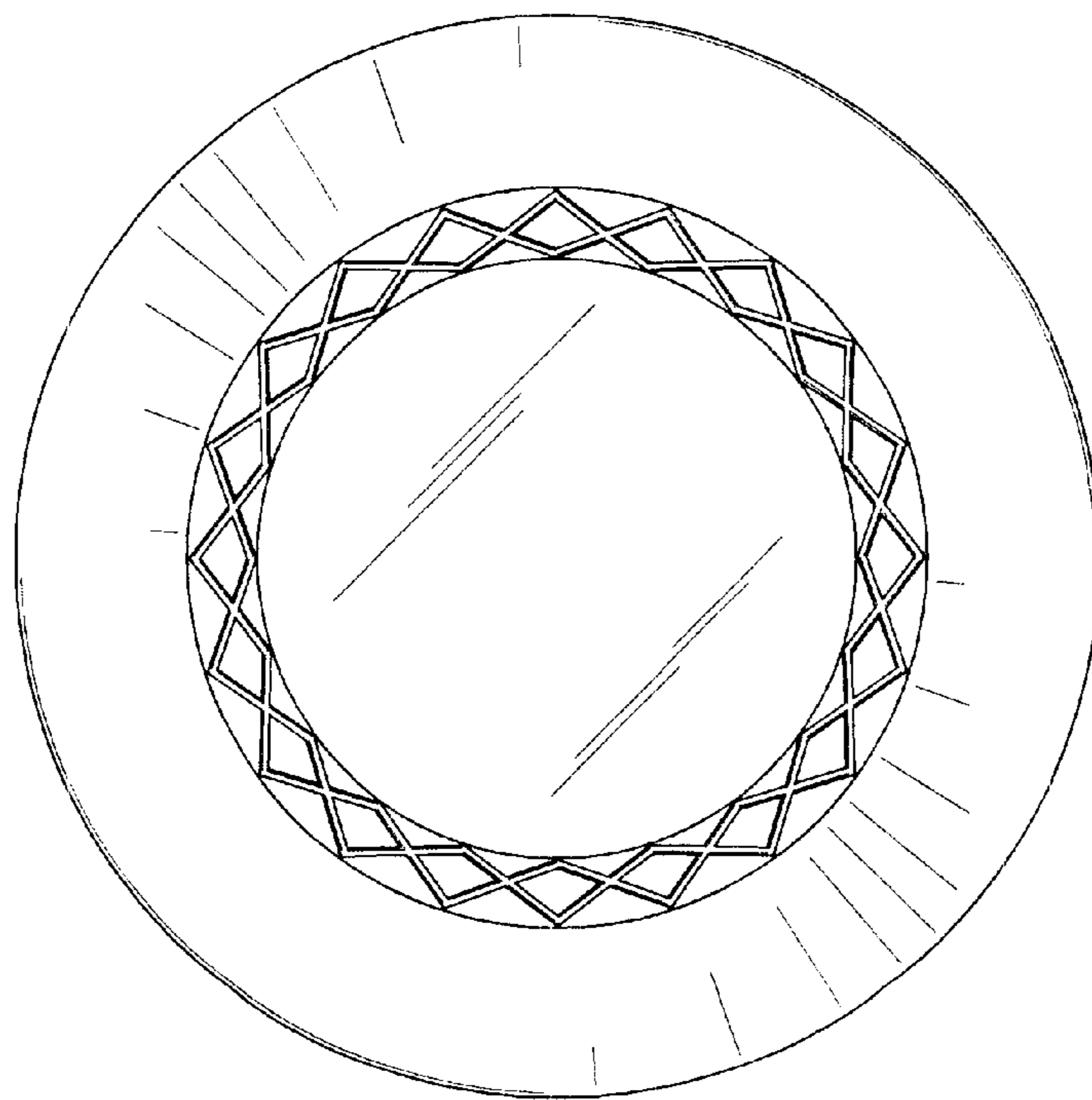


FIG. 5

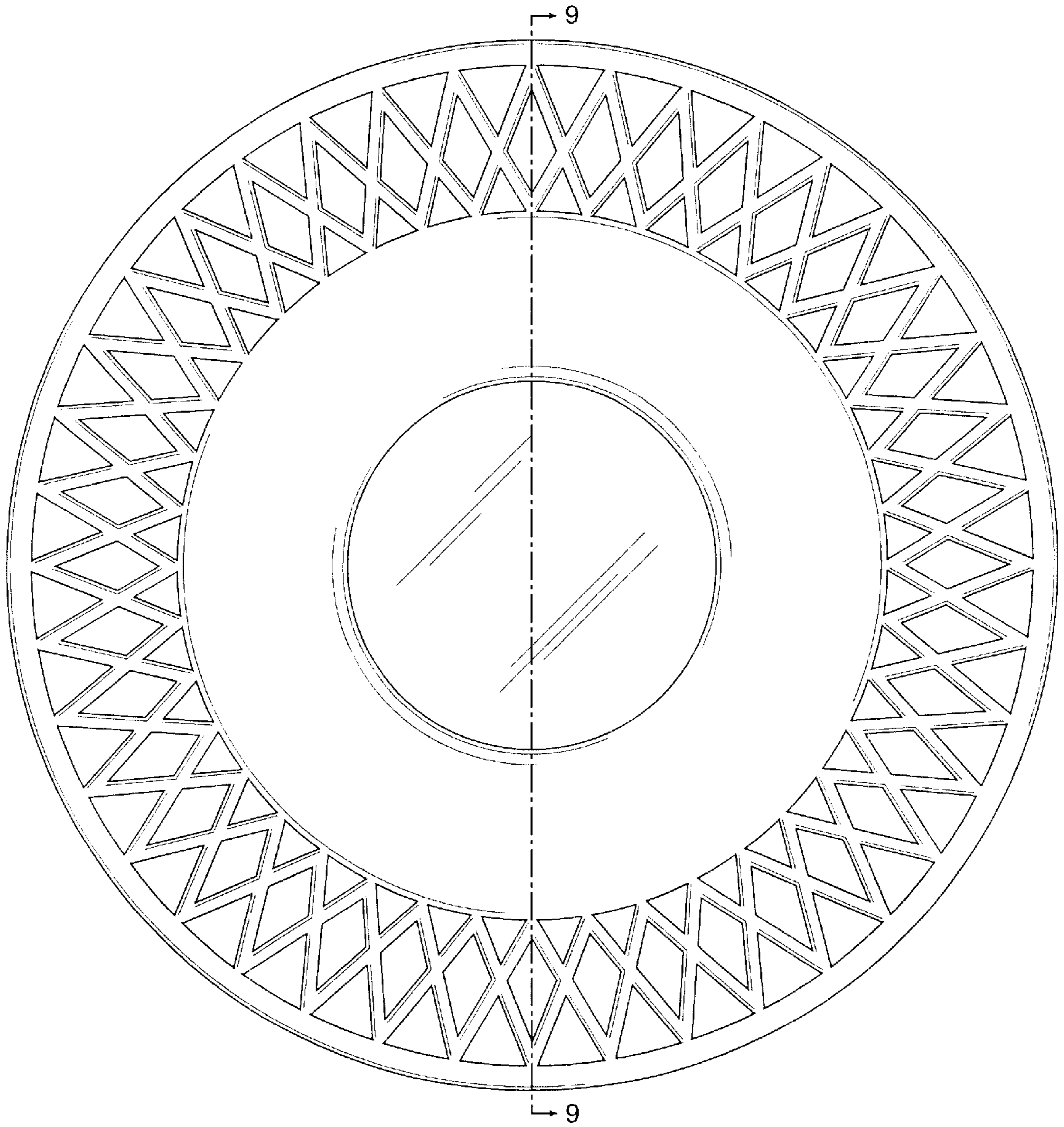


FIG. 6

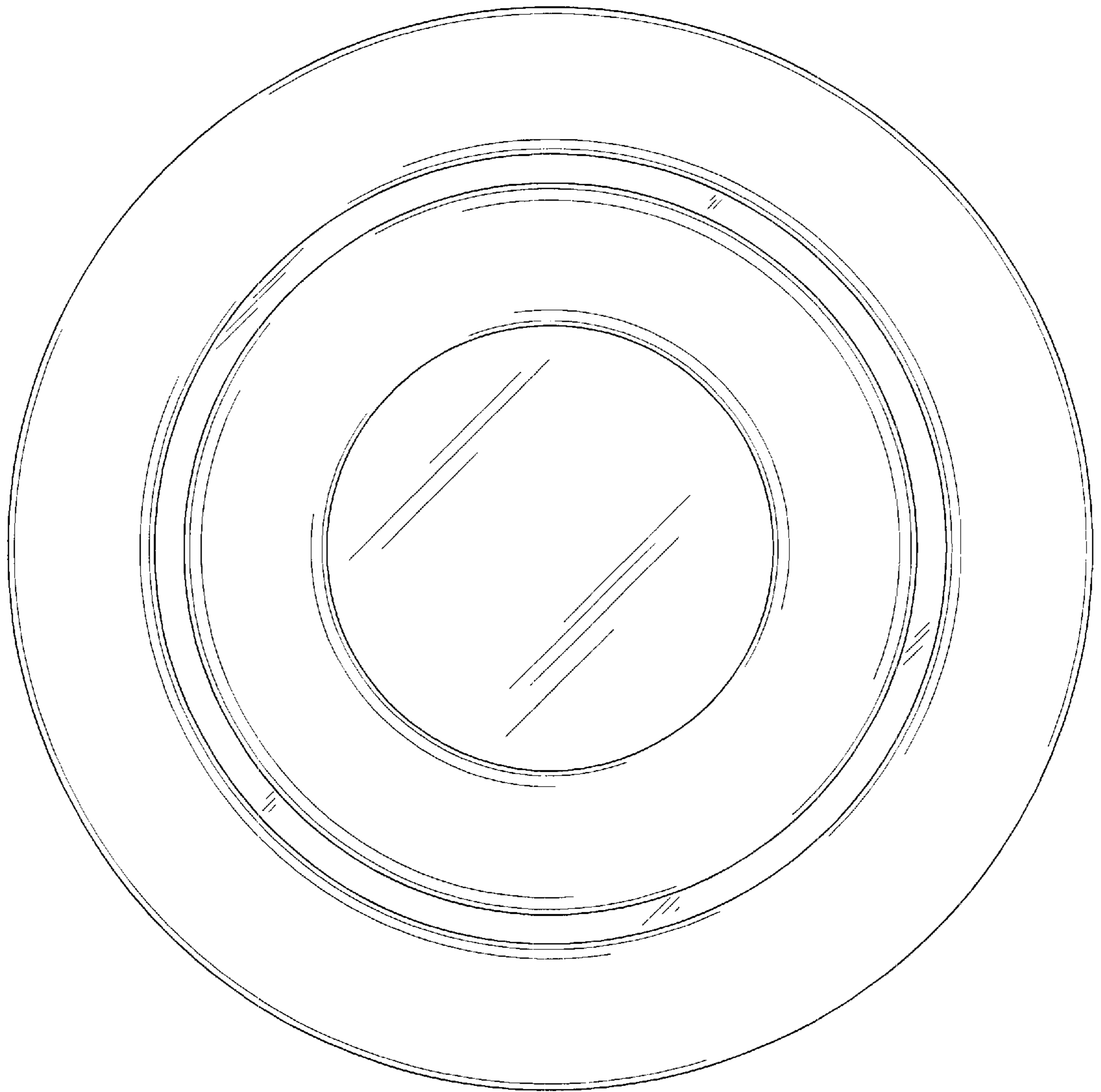


FIG. 7

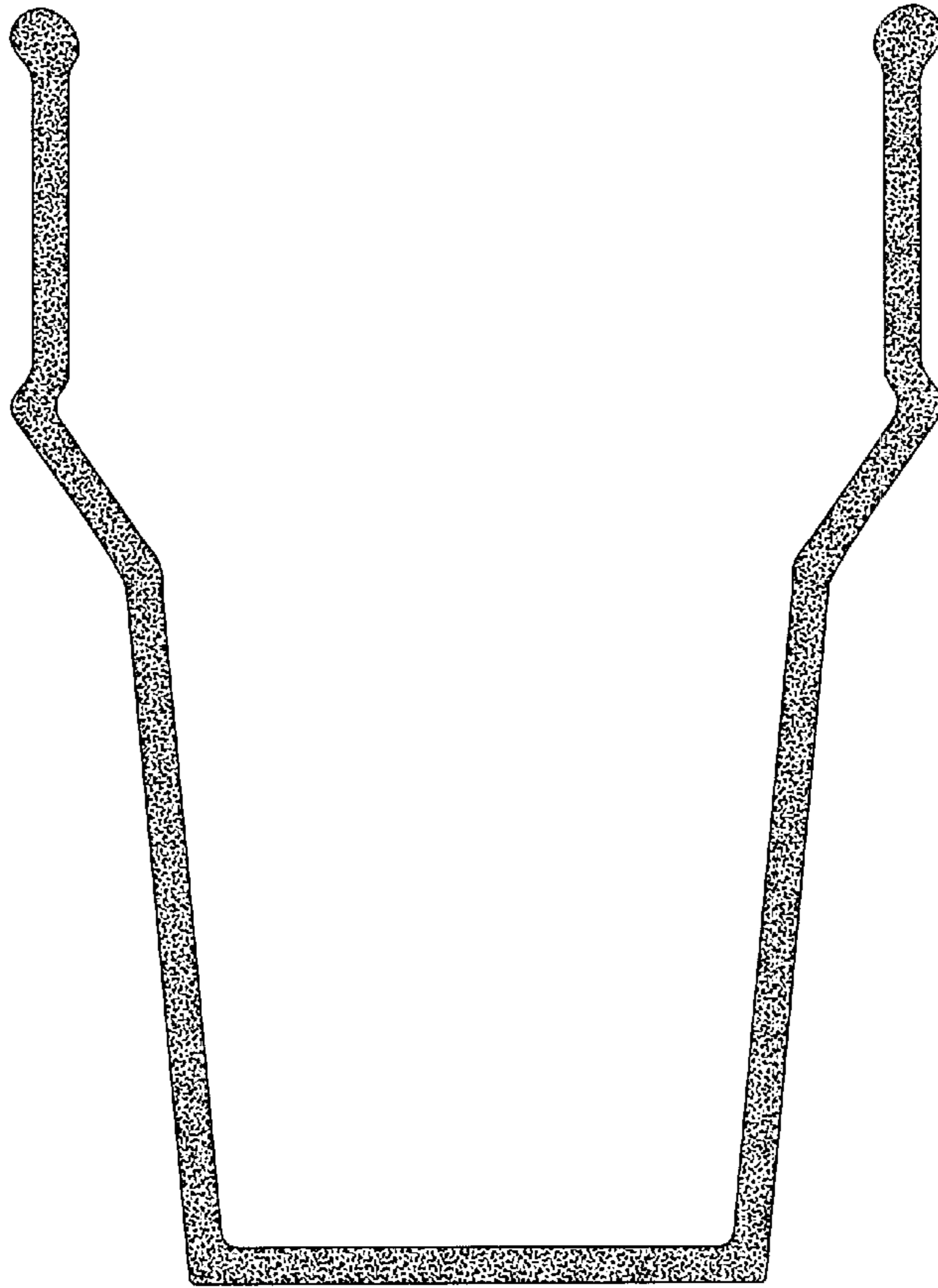


FIG. 8



FIG. 9