



US00D460320S

(12) **United States Design Patent**  
**Becker et al.**

(10) **Patent No.:** **US D460,320 S**

(45) **Date of Patent:** **\*\* Jul. 16, 2002**

(54) **MODULAR GRATE ARRANGEMENT FOR A GAS COOKING APPLIANCE**

(75) Inventors: **Theodore A. Becker; S. Todd Brooks; Dustin L. Hawkins**, all of Cleveland, TN (US)

(73) Assignee: **Maytag Corporation**, Newton, IA (US)

(\*\*) Term: **14 Years**

(21) Appl. No.: **29/145,218**

(22) Filed: **Jul. 19, 2001**

(51) **LOC (7) Cl.** ..... **07-02**

(52) **U.S. Cl.** ..... **D7/408**

(58) **Field of Search** ..... D7/346, 347, 402, D7/407, 408, 409; 126/39 B, 211, 217, 218, 214 C, 214 R, 215, 216, 152 R

(56) **References Cited**

**U.S. PATENT DOCUMENTS**

|             |          |              |              |
|-------------|----------|--------------|--------------|
| 2,594,215 A | 4/1952   | Resek        |              |
| D301,534 S  | * 6/1989 | Binzer       | ..... D7/408 |
| D334,866 S  | 4/1993   | Warren       | ..... D7/407 |
| D367,802 S  | 3/1996   | Lewis et al. | ..... D7/408 |
| D372,630 S  | 8/1996   | Lewis et al. | ..... D7/346 |

**OTHER PUBLICATIONS**

Thermador "Create" Catalog, copyright 1999. p. 34, 30" White Porcelain Cooktop.\*

KitchenAid Ranges, Ventilation Hoods and Microwave Ovens Catalog, p. 15, 30" Freestanding Gas Range.\*

\* cited by examiner

*Primary Examiner*—Sandra L. Morris  
(74) *Attorney, Agent, or Firm*—Diederiks & Whitelaw, PLC

(57) **CLAIM**

The ornamental design for a modular grate arrangement for a gas cooking appliance, as shown and described.

**DESCRIPTION**

FIG. 1 is a top right perspective view of a modular grate arrangement for a gas cooking appliance, showing our new design;

FIG. 2 is a top plan view of the left side portion of the modular grate of the invention, shown separately for clarity of illustration, with the right side portion being a mirror image thereof;

FIG. 3 is a front elevational view of the left side portion of the modular grate of FIG. 2; and

FIG. 4 is a rear elevational view of the left side portion of the modular grate of FIG. 2;

FIG. 5 is a right elevational view of the left side portion of the modular grate of FIG. 2;

FIG. 6 is a left elevational view of the left side portion of the modular grate of FIG. 2; and,

FIG. 7 is a bottom plan view of the left side portion of the modular grate portion of FIG. 2.

The broken lines in FIG. 1 showing gas valve control knobs and a cooktop are for illustrative purposes only and form no part of the claimed invention.

**1 Claim, 3 Drawing Sheets**

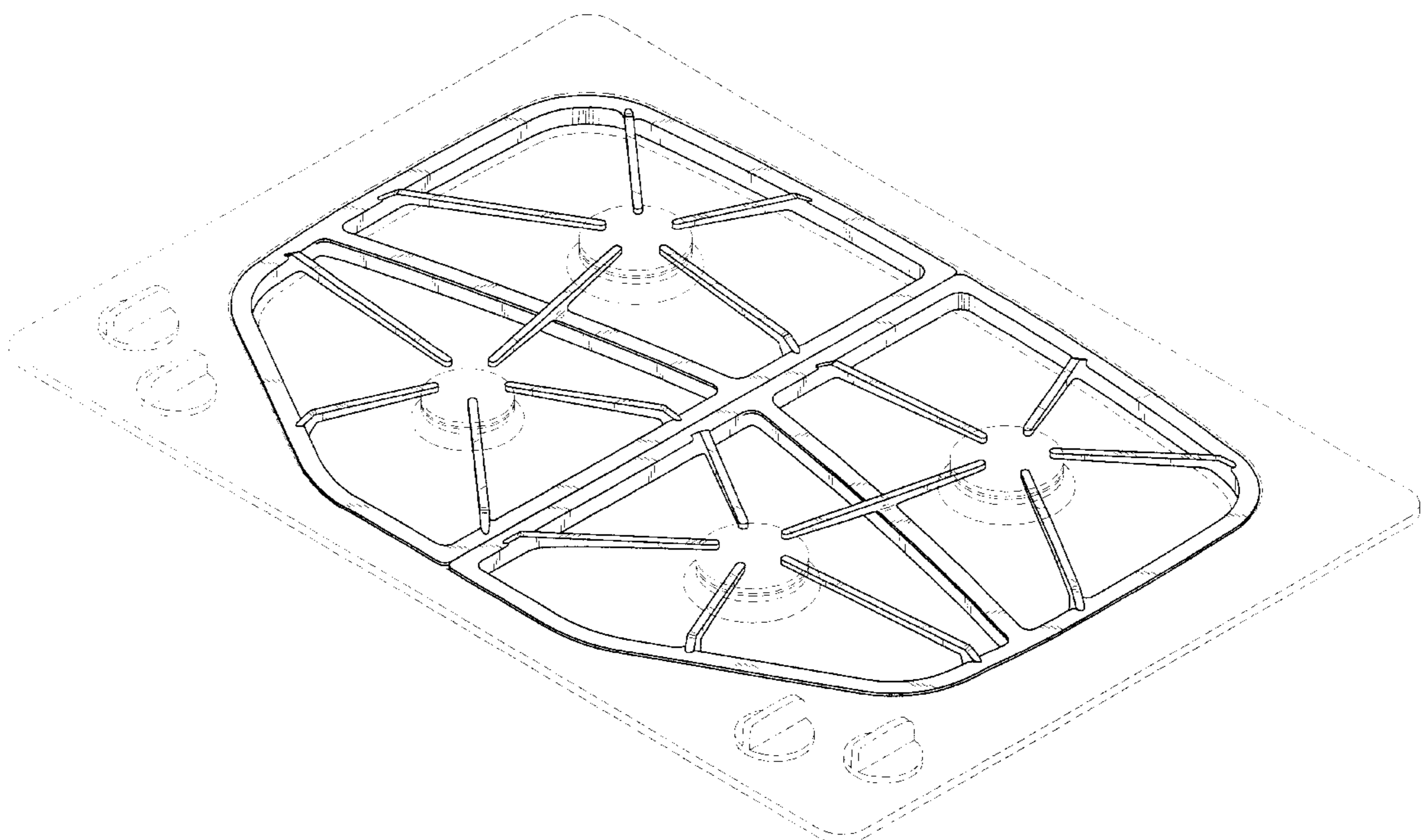


FIG. 1

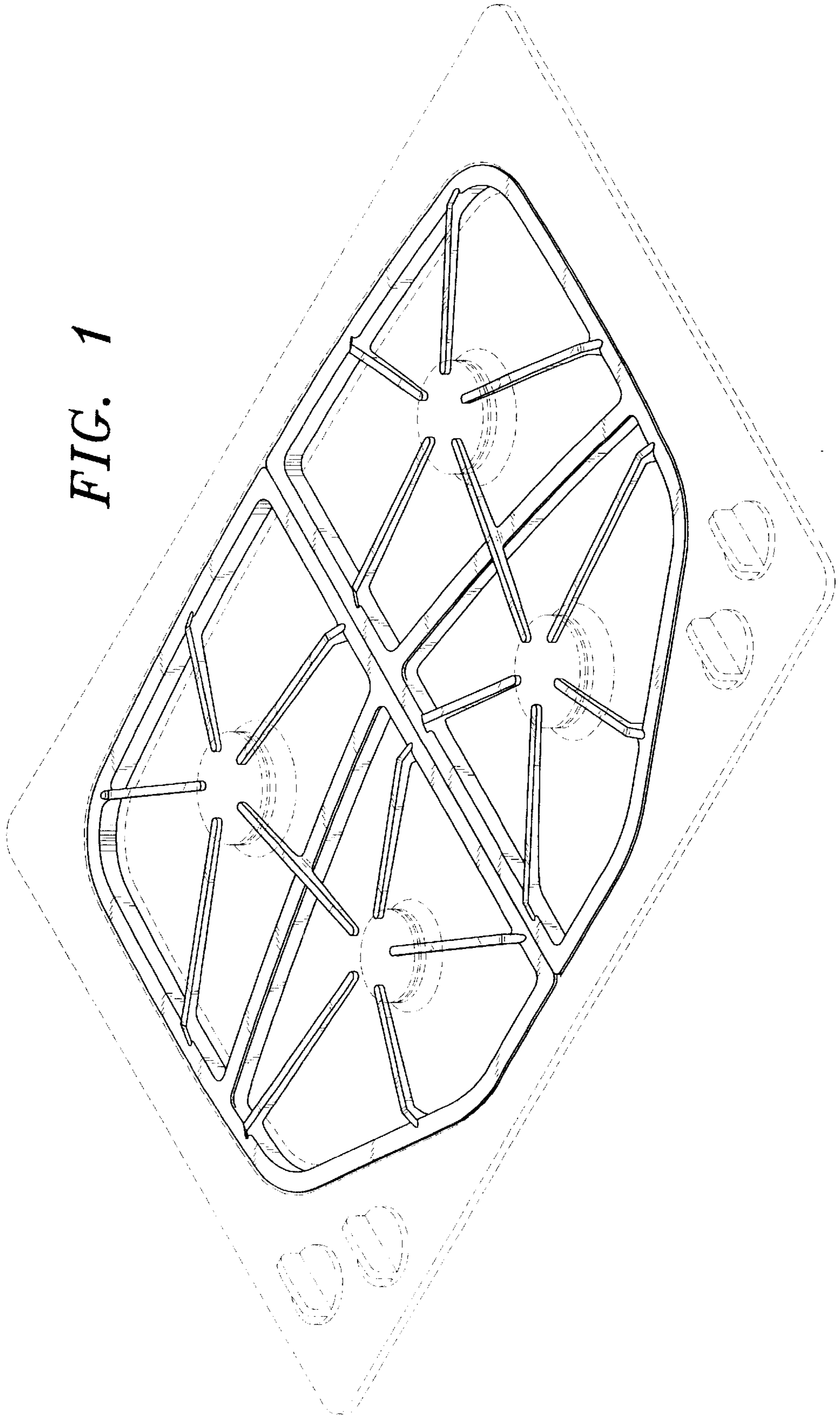


FIG. 7

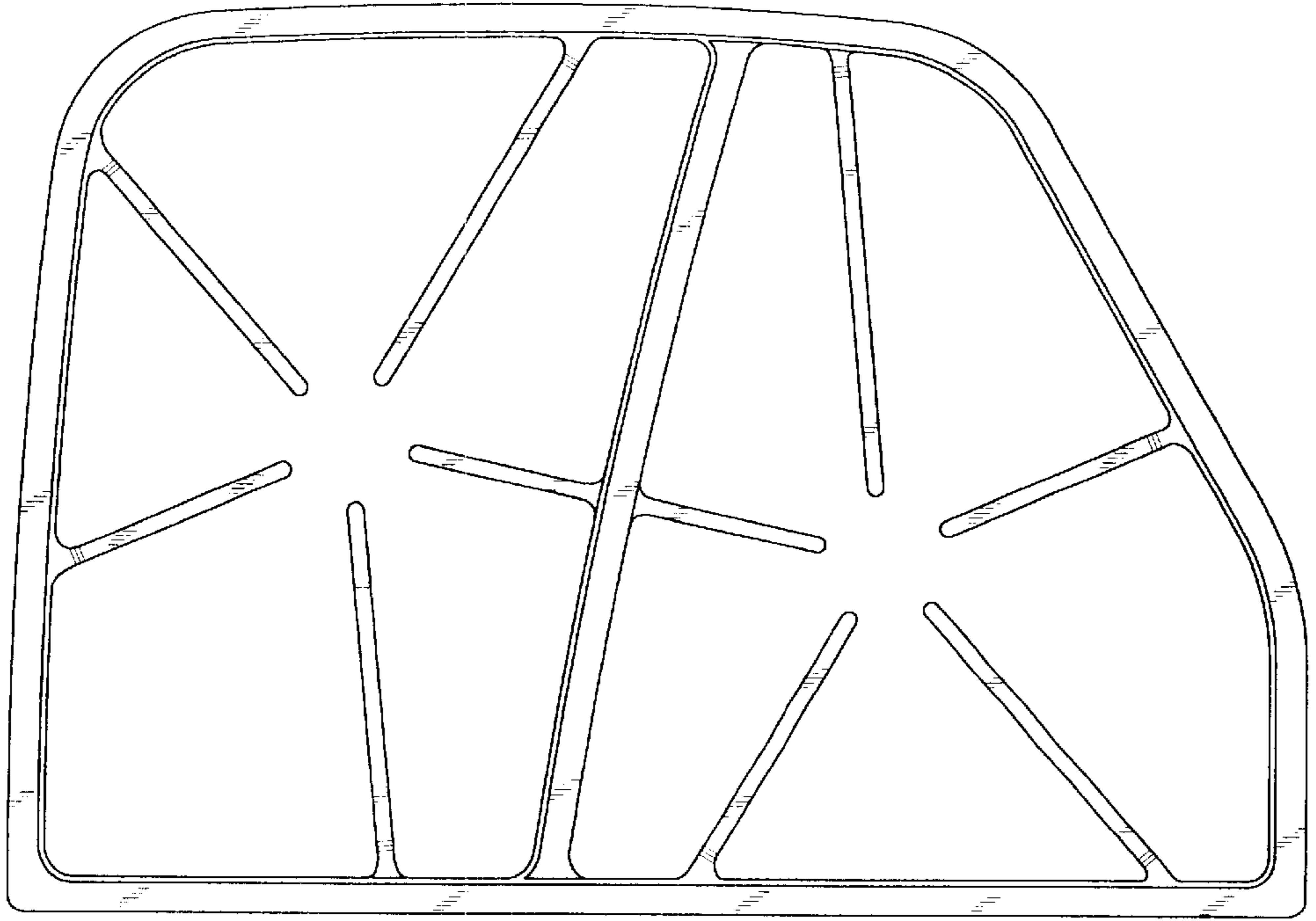
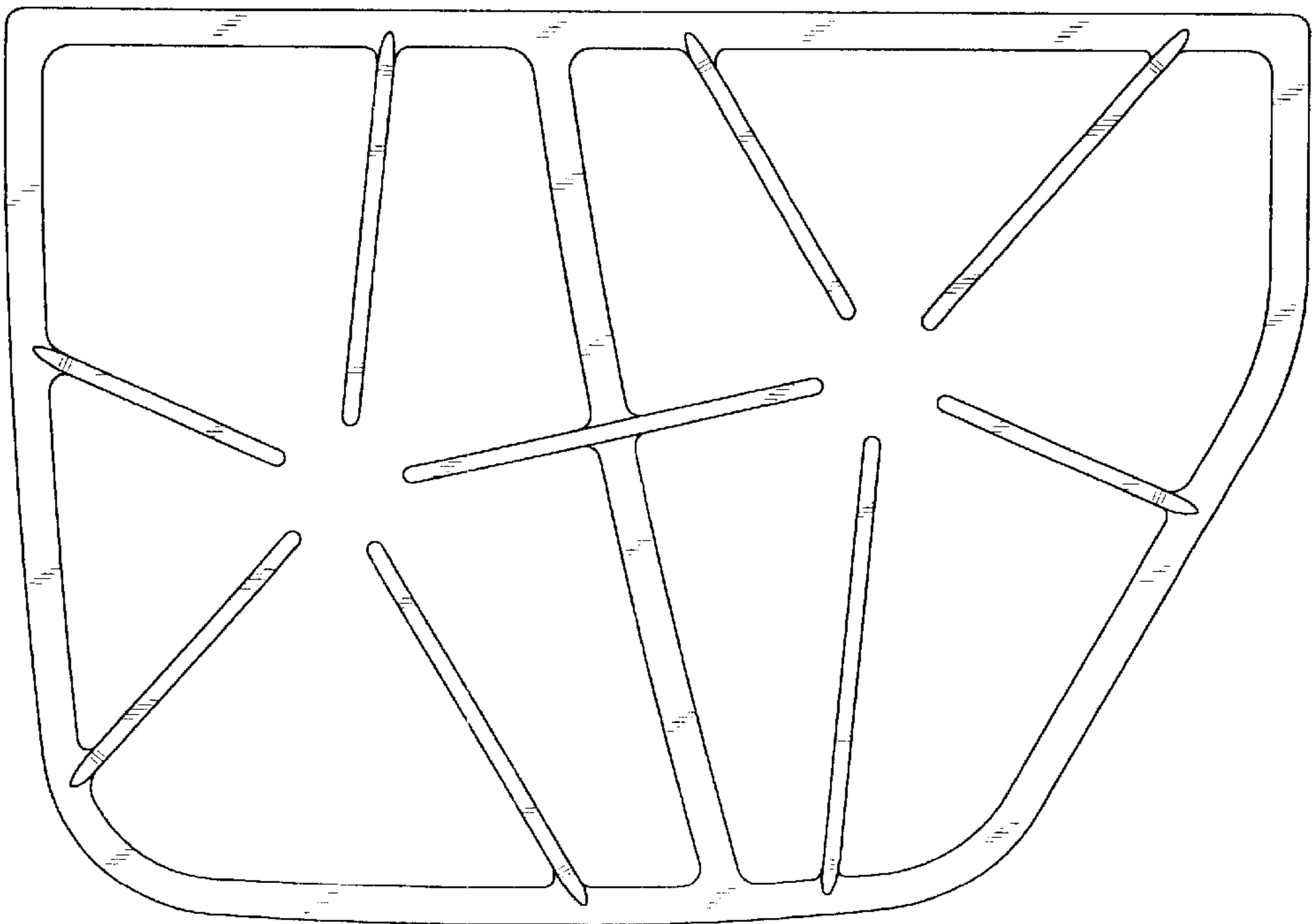


FIG. 2



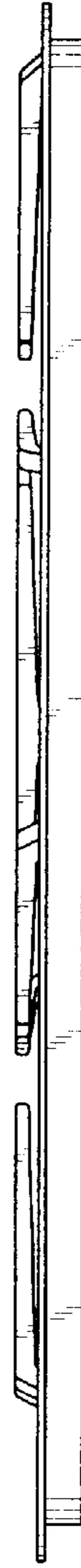
*FIG. 3*



*FIG. 4*



*FIG. 5*



*FIG. 6*

