



US00D460319S

(12) **United States Design Patent**
Conran

(10) **Patent No.:** **US D460,319 S**

(45) **Date of Patent:** **** Jul. 16, 2002**

(54) **PLUNGER FOR A TEAPOT**

(75) **Inventor:** **Sebastian Conran, London (GB)**

(73) **Assignee:** **William Levene Limited, Middlesex (GB)**

(**) **Term:** **14 Years**

(21) **Appl. No.:** **29/126,133**

(22) **Filed:** **Jul. 7, 2000**

(51) **LOC (7) Cl.** **07-99**

(52) **U.S. Cl.** **D7/397; D7/387**

(58) **Field of Search** 37/300, 399, 312,
37/397, 316, 317, 318, 319; 97/287, 302 P,
318, 322, 279, 323, 297; 366/256, 332;
215/12.1; 426/433, 474; 210/474; 138/31;
417/437; D7/387, 397, 213, 398, 399

(56) **References Cited**

U.S. PATENT DOCUMENTS

D342,414 S	*	12/1993	Jorgensen	D7/317
5,544,566 A	*	8/1996	Bersten	99/287
5,635,233 A	*	6/1997	Levinson	426/433
D388,275 S	*	12/1997	Joergensen	D7/319
5,695,282 A	*	12/1997	Hess	366/256
5,770,074 A	*	6/1998	Pugh	210/474
5,780,087 A	*	7/1998	Brady	426/474
5,809,867 A	*	9/1998	Turner et al.	99/297
D401,466 S	*	11/1998	Joergensen	D7/318
D405,642 S	*	2/1999	Toriba	D7/319
5,924,354 A	*	7/1999	Court et al.	99/318
5,939,122 A	*	8/1999	Brady	426/474
5,943,946 A	*	8/1999	Chen	99/297
D413,480 S	*	9/1999	Joergensen	D7/317

6,079,316 A	*	6/2000	Barden et al.	99/297
6,152,018 A	*	11/2000	Yeh	99/279
6,205,909 B1	*	3/2001	Giannelli	99/302 P
RE37,137 E	*	4/2001	Ghidini	366/256
6,231,226 B1	*	5/2001	Neidigh	366/256
6,240,833 B1	*	6/2001	Sham et al.	99/297

OTHER PUBLICATIONS

U.S. patent application Ser. No. 29/126,131, filed Jul. 7, 2000.

U.S. patent application Ser. No. 29/126,132, filed Jul. 7, 2000.

* cited by examiner

Primary Examiner—M. N. Pandozzi

(74) *Attorney, Agent, or Firm*—Dechert; Daniel S. Goldberg

(57) **CLAIM**

The ornamental design for a plunger for a teapot, as shown and described.

DESCRIPTION

FIG. 1 is a side view of a plunger according to the present design.

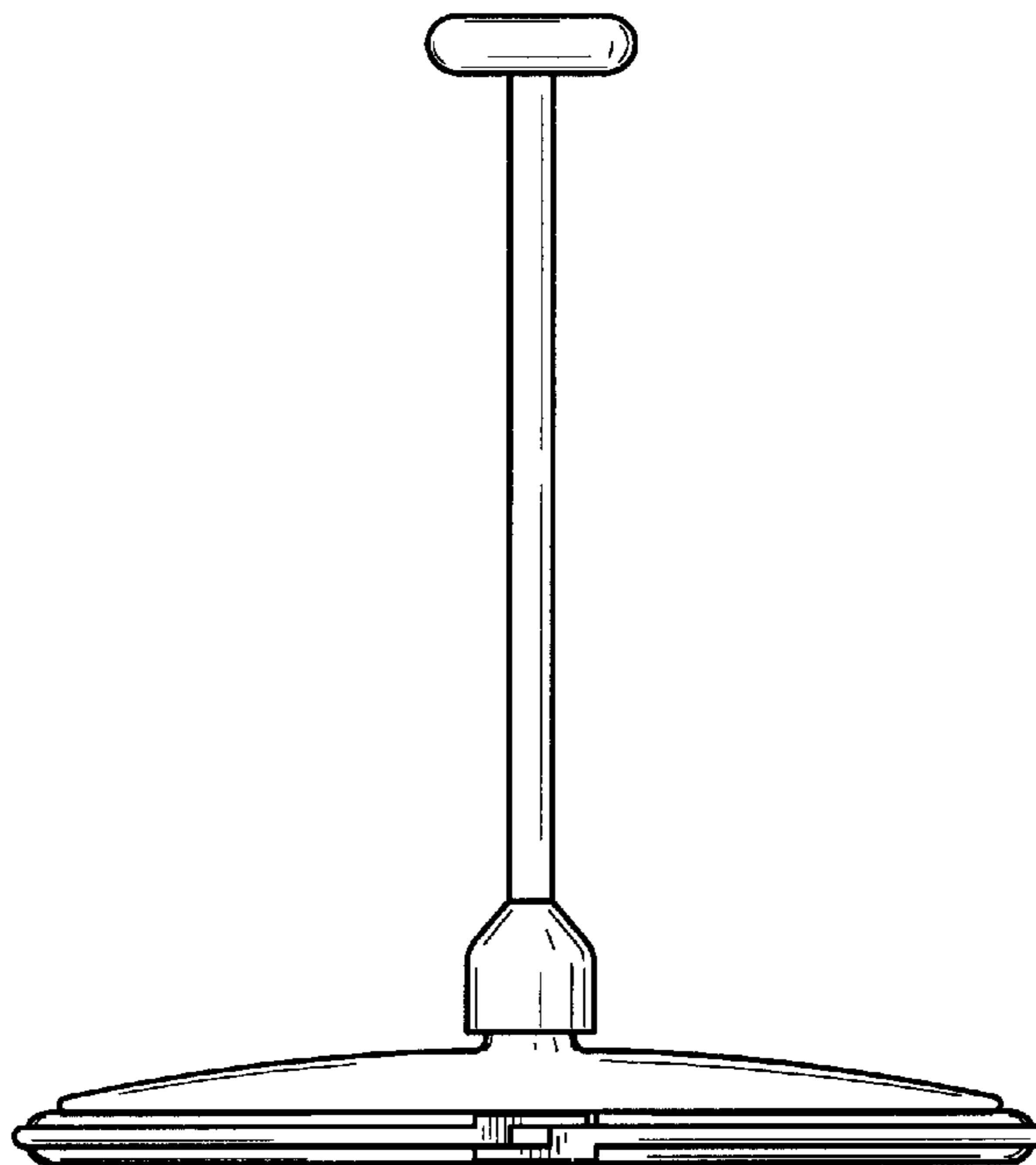
FIG. 2 is a top view of the plunger according to the present design.

FIG. 3 is a bottom view of the plunger according to the present design; and,

FIG. 4 is a side view of the plunger according to the present design.

The broken lines in FIG. 4 are for illustrative purposes only and form no part of the claimed design.

1 Claim, 3 Drawing Sheets



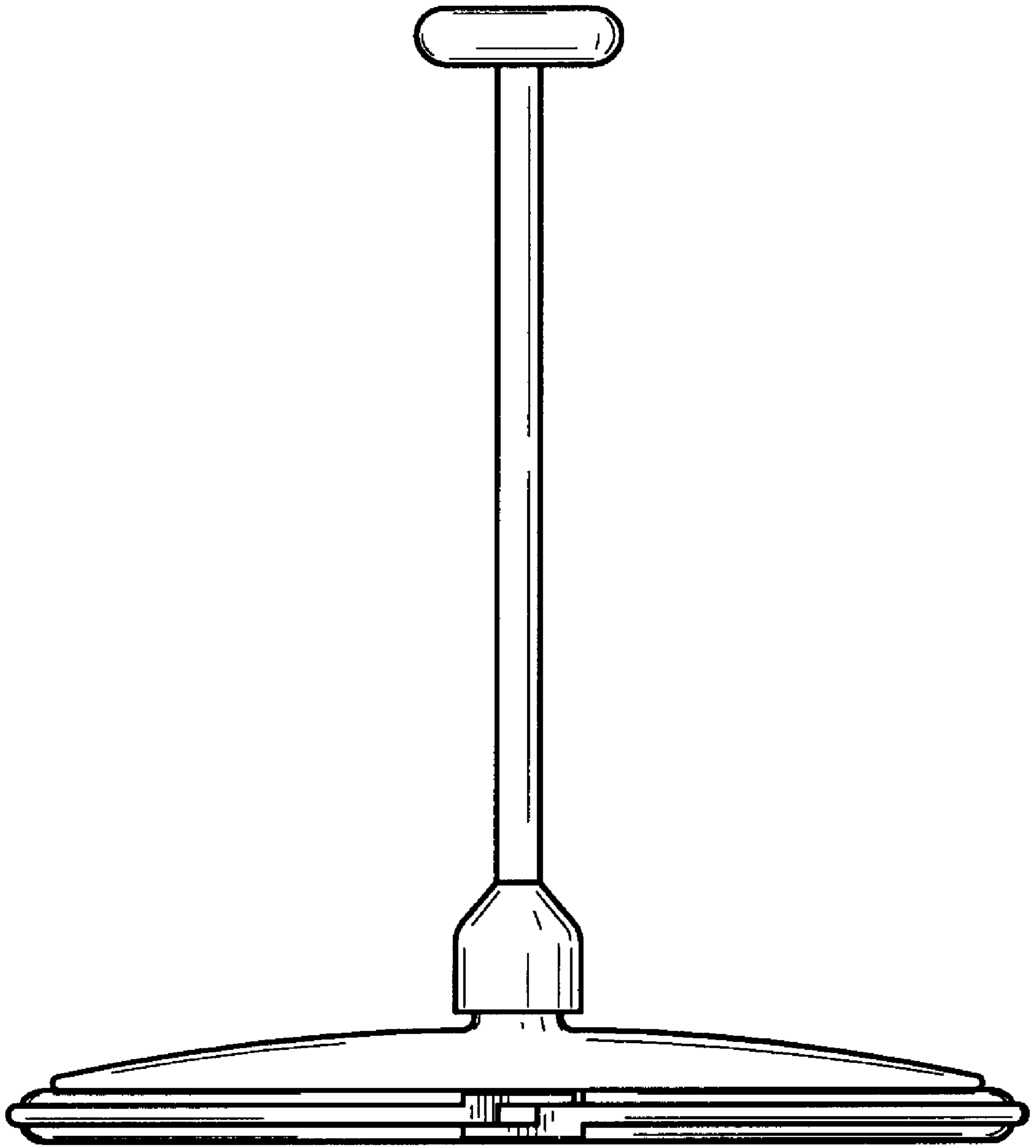


FIG. 1

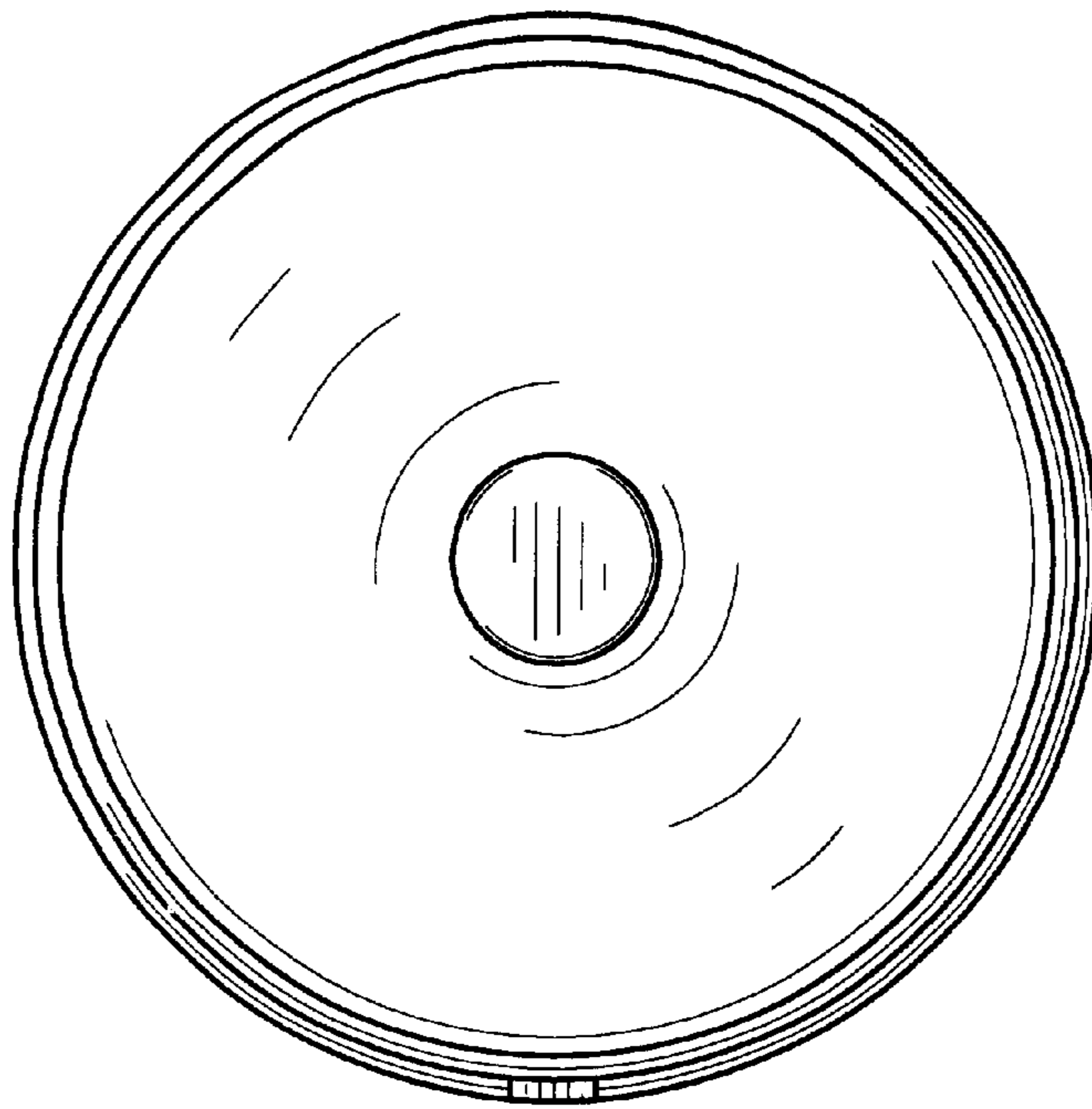


FIG. 2

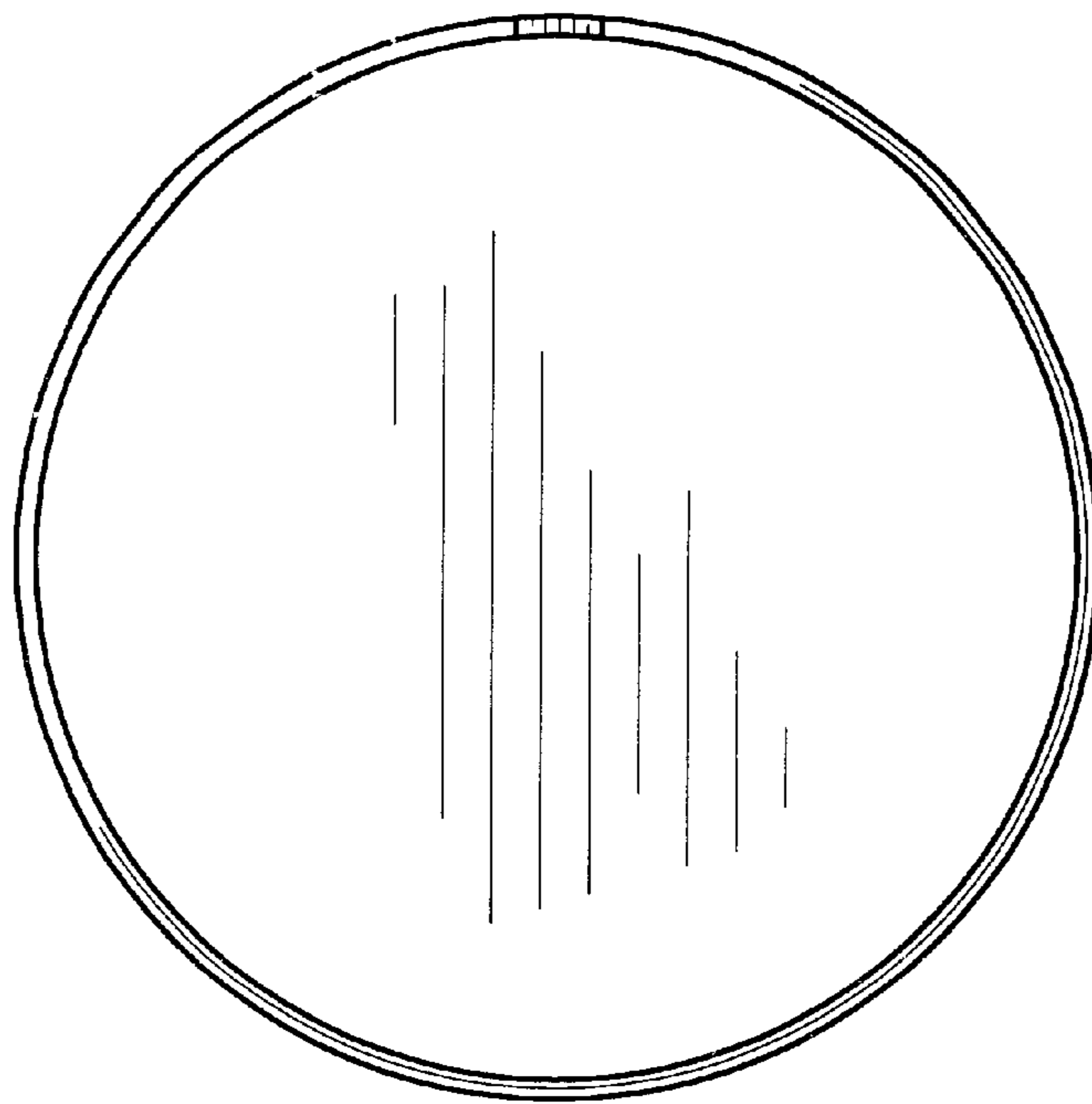


FIG. 3

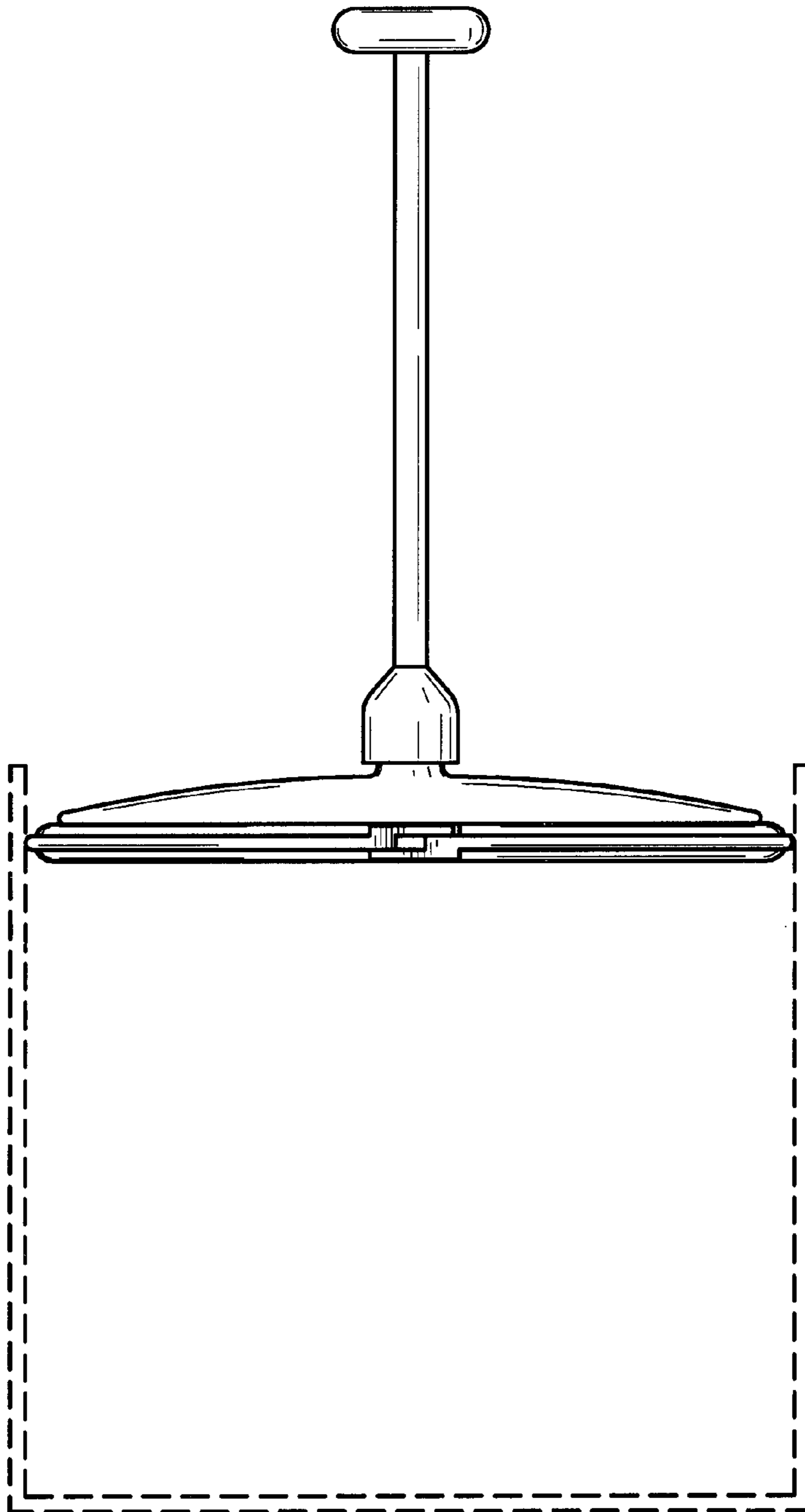


FIG. 4