

US00D460318S

(12) **United States Design Patent**
Richied et al.

(10) **Patent No.:** **US D460,318 S**

(45) **Date of Patent:** **** Jul. 16, 2002**

(54) **HANDLE WITH END CAPS FOR COOKING UTENSILS**

D424,869 S * 5/2000 Chau D7/395

* cited by examiner

(75) Inventors: **Ken Richied**, Middletown; **Mike Rowe**, Dayton, both of OH (US); **Andrew Kahler**, Fortson, GA (US); **Alan Cummins**, Opelika, AL (US)

Primary Examiner—Terry A. Wallace
(74) *Attorney, Agent, or Firm*—James W. Kayden; Thomas, Kayden, Horstemeyer & Risley, LLP

(73) Assignee: **W. C. Bradley Company**, Columbus, GA (US)

(57) **CLAIM**

(**) Term: **14 Years**

The ornamental design of handle with end caps for cooking utensils, as shown and described.

(21) Appl. No.: **29/143,125**

DESCRIPTION

(22) Filed: **Jun. 7, 2001**

FIG. 1 is a perspective view showing our new handle with end caps for cooking utensils;

(51) **LOC (7) Cl.** **07-02**

(52) **U.S. Cl.** **D7/395**

FIG. 2 is left side elevational view thereof, the right side being a mirror image of that which is shown;

(58) **Field of Search** D7/393-395, 642-664, D7/681-697; 294/7, 8; 16/110.1, 430, 431, 436

FIG. 3 is a top plan view thereof;

FIG. 4 is a bottom plan view thereof;

FIG. 5 is a front elevational view thereof; and,

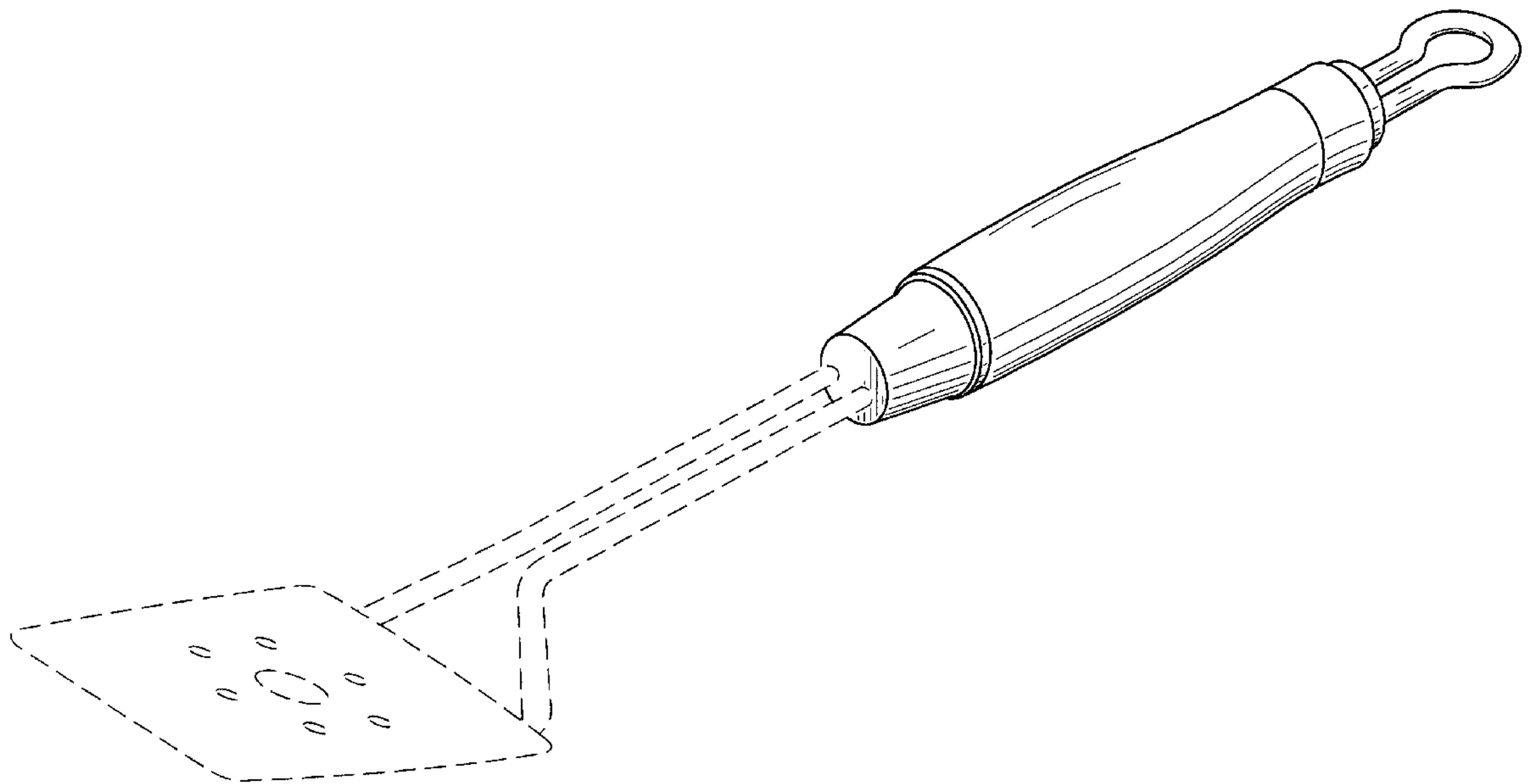
FIG. 6 is a rear elevational view thereof.

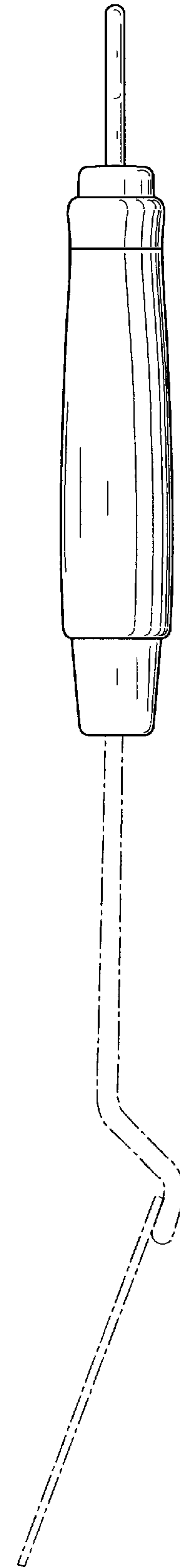
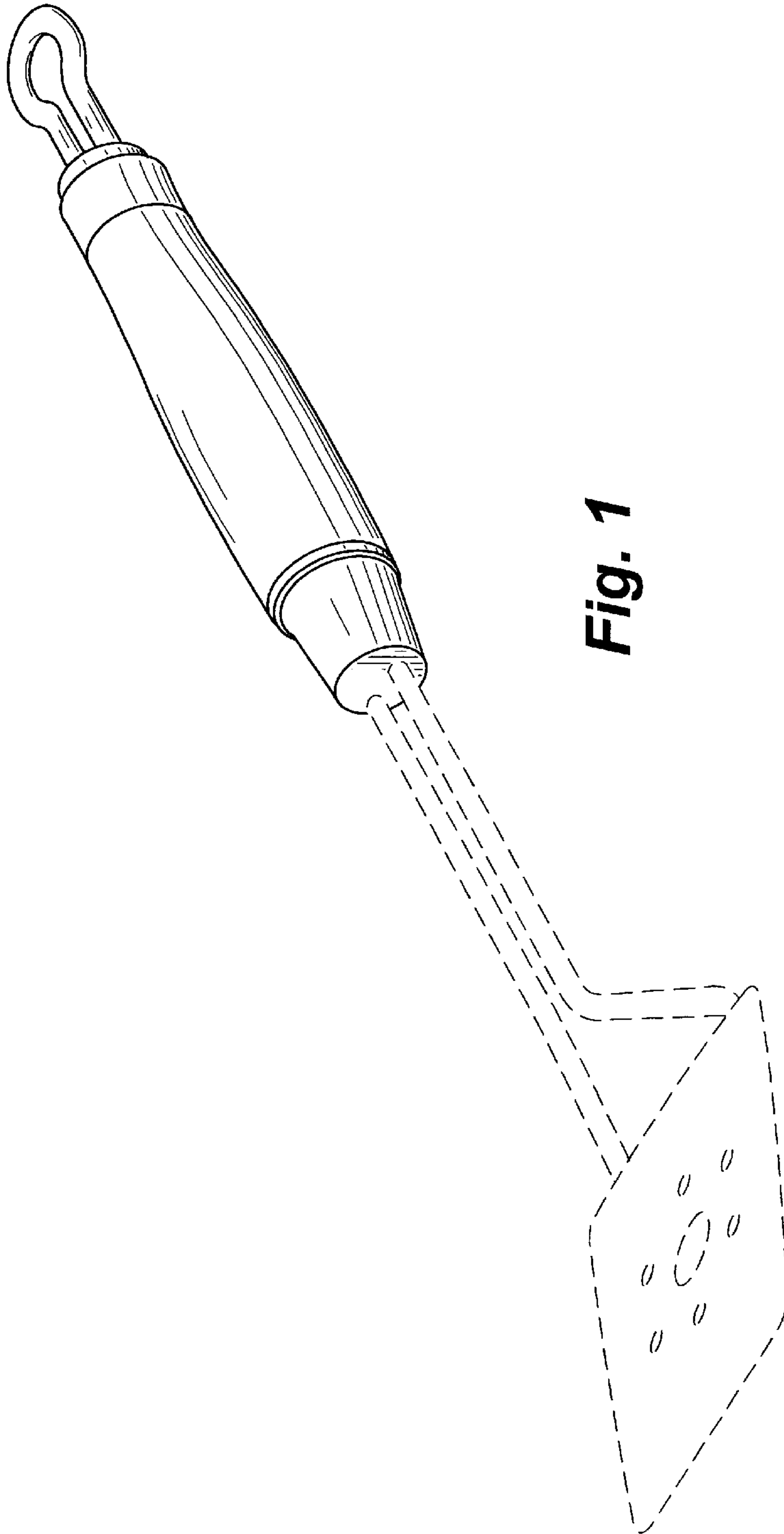
(56) **References Cited**

U.S. PATENT DOCUMENTS

D416,439 S * 11/1999 Kwok D7/395

1 Claim, 2 Drawing Sheets





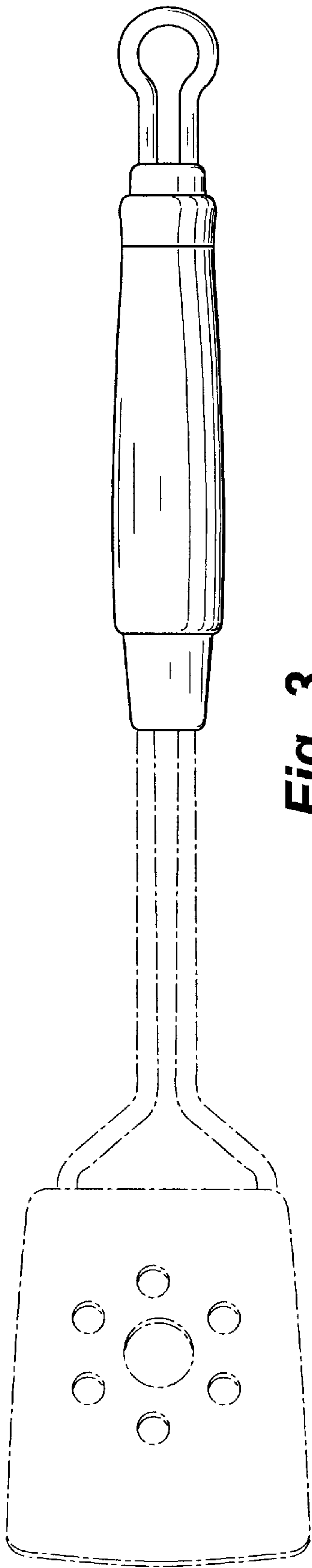


Fig. 3

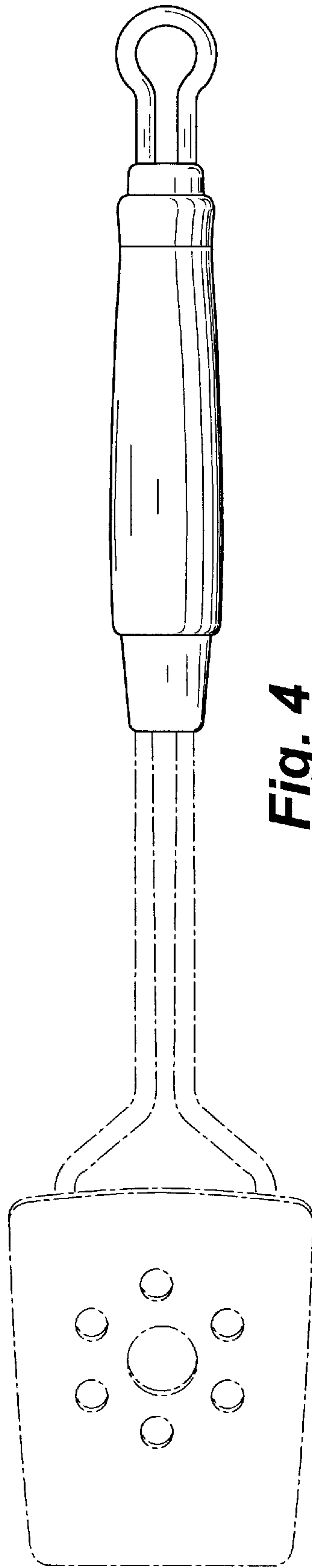


Fig. 4

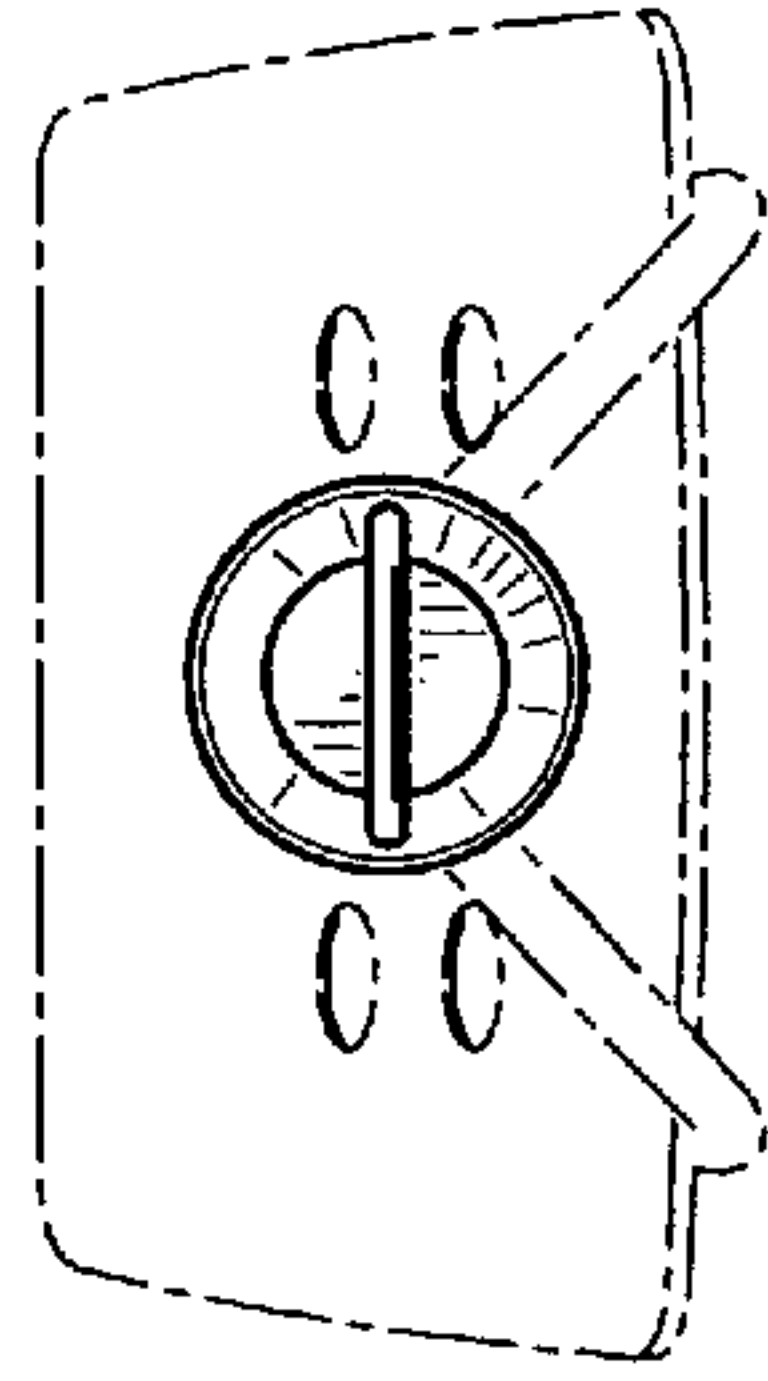


Fig. 6

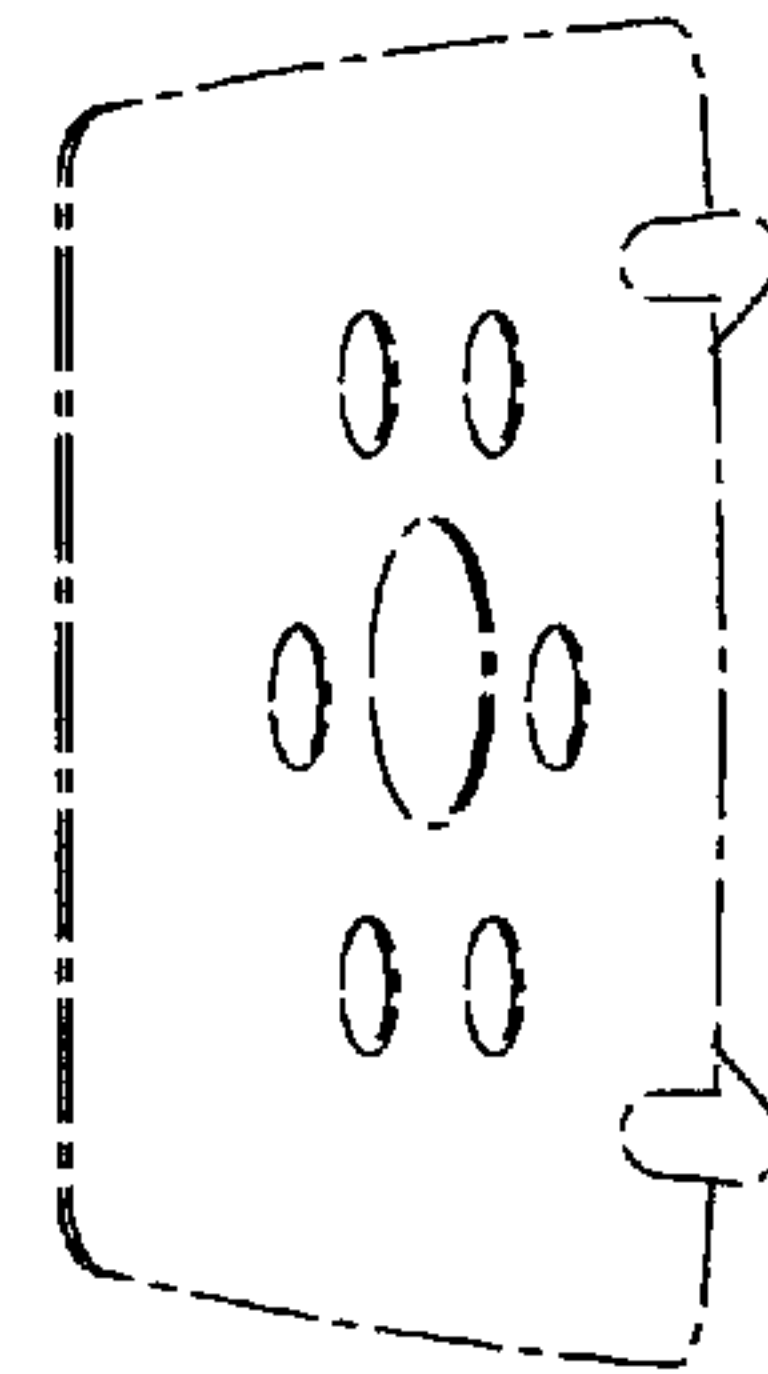


Fig. 5