

US00D460317S

(12) **United States Design Patent**
Price et al.

(10) **Patent No.:** **US D460,317 S**
(45) **Date of Patent:** **** Jul. 16, 2002**

- (54) **BEVERAGE CONTAINER LID**
- (75) Inventors: **Eric Justin Price**, Medford, MA (US);
Glen Nielsen, Kent; **David Kaiser**,
North Haven, both of CT (US)
- (73) Assignee: **Punch Products USA, Inc.**, Rahway,
NJ (US)
- (**) Term: **14 Years**
- (21) Appl. No.: **29/151,231**
- (22) Filed: **Nov. 1, 2001**

5,301,830 A	4/1994	Müller	
D370,831 S	6/1996	Steinfels, III et al.	
D377,293 S	* 1/1997	Husted	D7/511
5,645,191 A	7/1997	Neville	
D395,395 S	6/1998	De Muschamp Payne	
5,803,306 A	9/1998	Lewis	
D399,392 S	10/1998	Husted	
5,839,599 A	11/1998	Lin	
5,845,807 A	12/1998	De Villiers	
5,899,354 A	5/1999	Garcia	
5,918,761 A	7/1999	Wissinger	
D412,809 S	8/1999	Toro et al.	
D414,650 S	* 10/1999	Lillelund et al.	D7/392.1

* cited by examiner

Related U.S. Application Data

- (63) Continuation of application No. 09/911,523, filed on Jul. 24, 2001, which is a continuation-in-part of application No. 09/558,784, filed on Apr. 26, 2000, which is a continuation-in-part of application No. 29/117,842, filed on Jan. 31, 2000, now Pat. No. Des. 446,684, and a continuation-in-part of application No. 29/117,841, filed on Jan. 31, 2000, now Pat. No. Des. 446,997.

Primary Examiner—Terry A. Wallace

(74) *Attorney, Agent, or Firm*—Pennie & Edmonds LLP

- (51) **LOC (7) Cl.** **07-01**
- (52) **U.S. Cl.** **D7/392.1**
- (58) **Field of Search** D7/392.1, 396.2,
D7/510, 511; D9/434, 435, 447, 454; 220/669,
703, 711, 713, 716, 731, 740

(57) **CLAIM**

The ornamental design for a beverage container lid, as shown and described.

DESCRIPTION

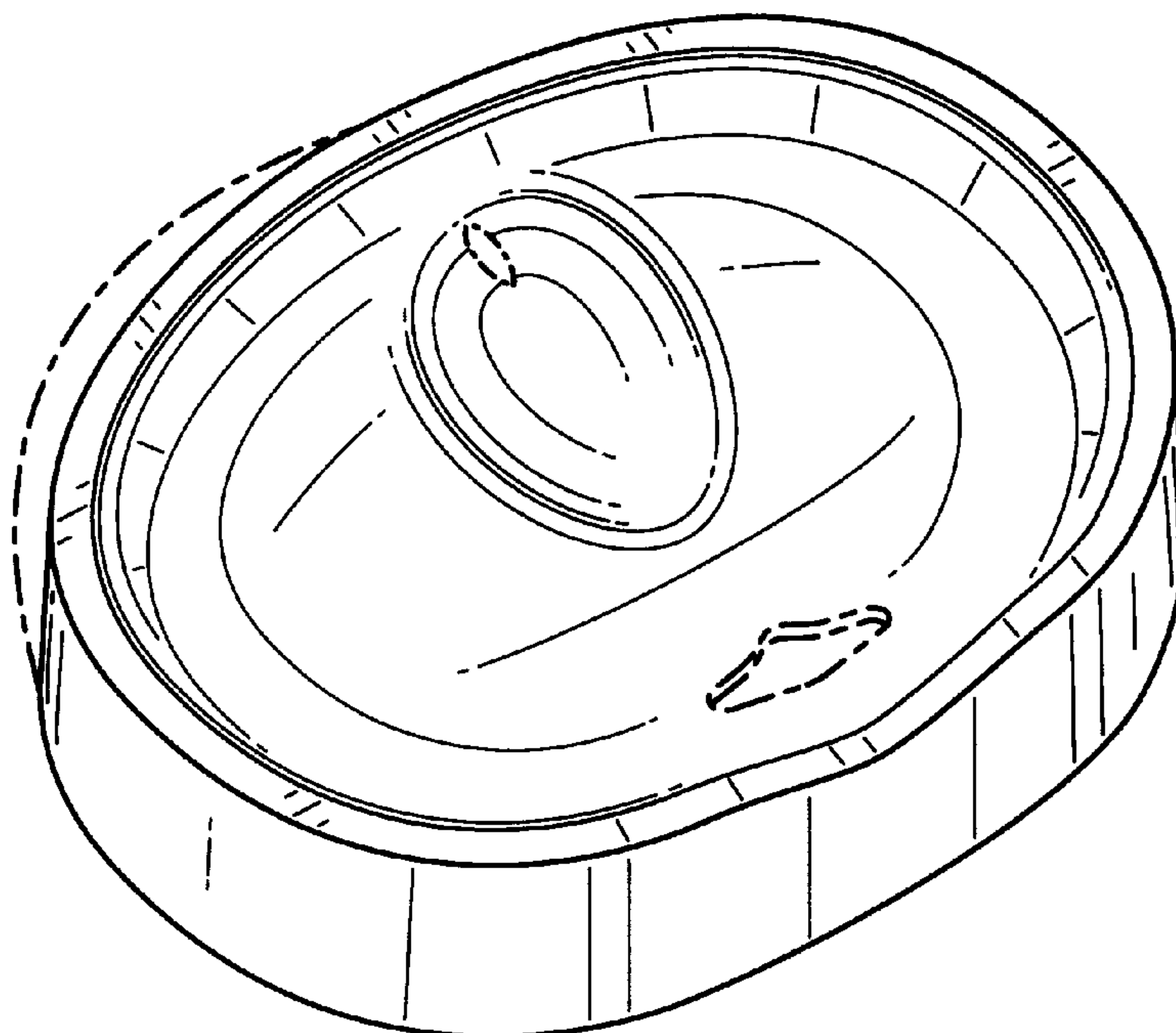
FIG. 1 is a perspective view of a beverage container lid according to the present invention;
 FIG. 2 is a front view thereof;
 FIG. 3 is a rear view thereof;
 FIG. 4 is a left side view thereof, the right side view being a mirror image thereof;
 FIG. 5 is a top view thereof; and,
 FIG. 6 is a perspective view thereof, with a beverage container shown in broken lines and, therefore, not constituting part of the claimed design.
 All broken lines in the above figures are for illustrative purposes only and form no part of the claimed design.

(56) **References Cited**

U.S. PATENT DOCUMENTS

2,792,696 A	5/1957	Stayart	
D264,795 S	6/1982	Strieber	
4,762,229 A	8/1988	Wickre	
5,143,248 A	* 9/1992	Sawatsky	220/711
5,249,703 A	10/1993	Karp	

1 Claim, 6 Drawing Sheets



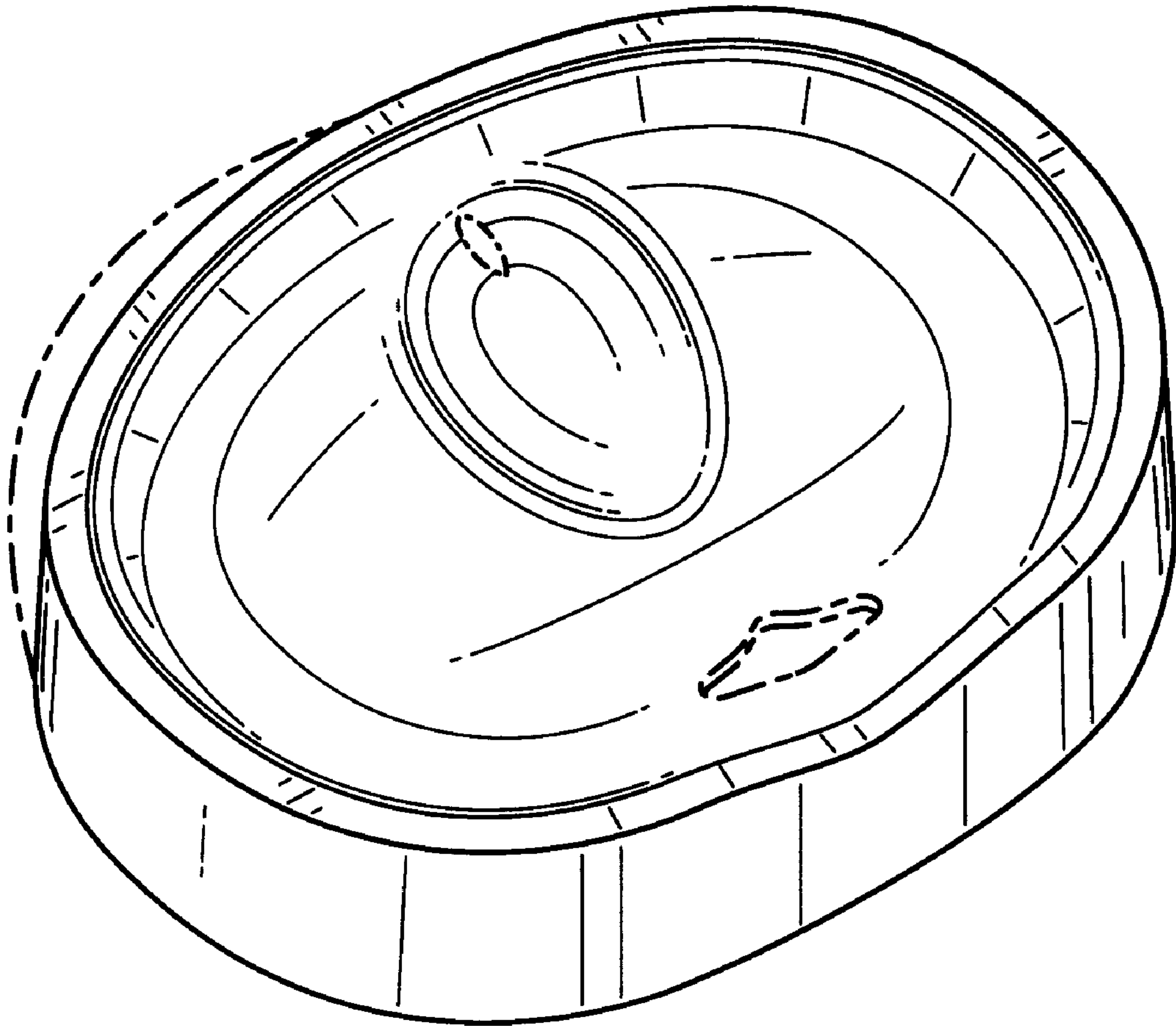


FIG. 1

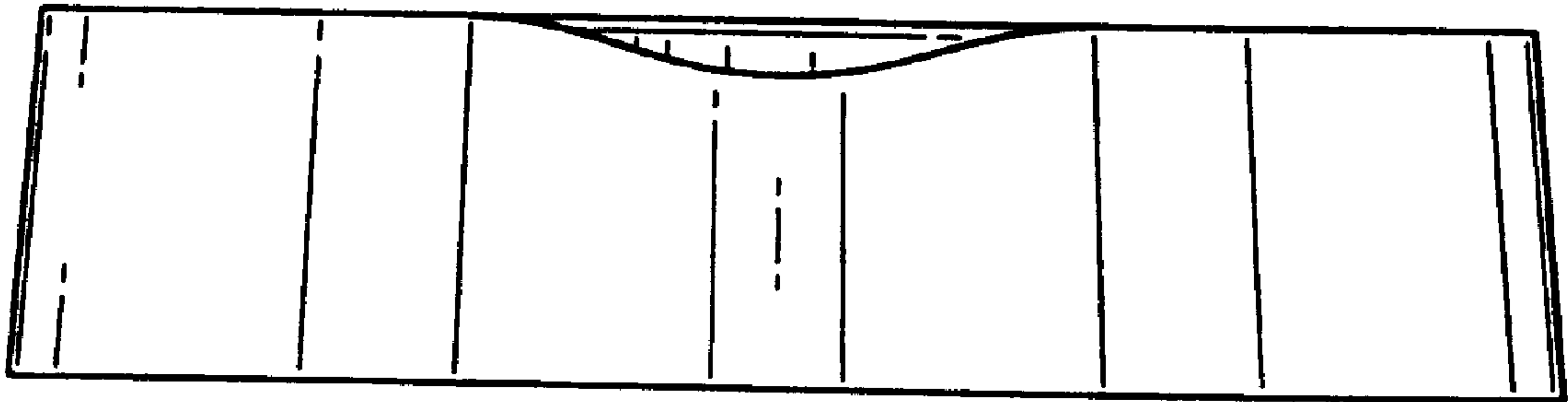


FIG. 2

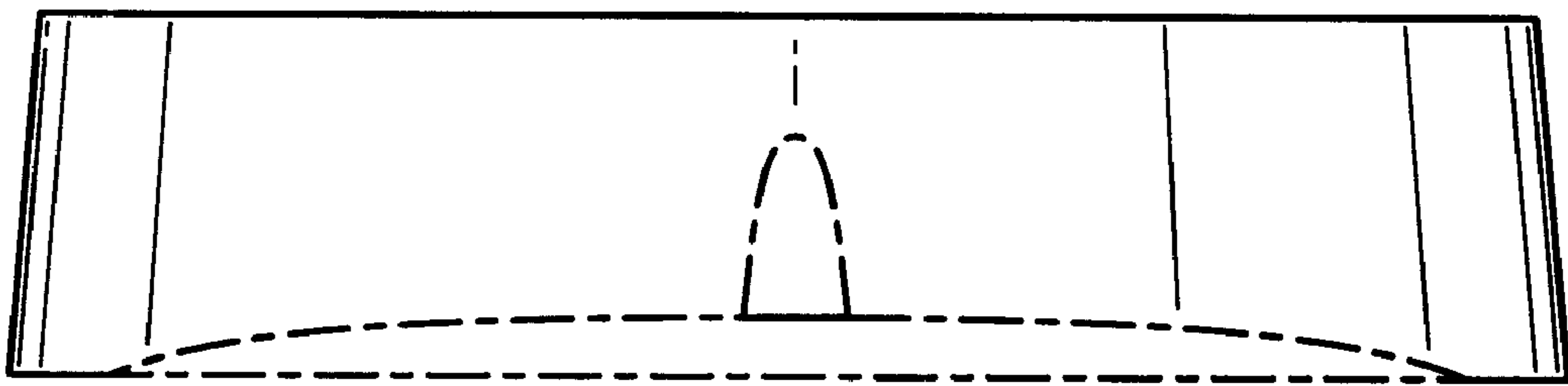


FIG. 3

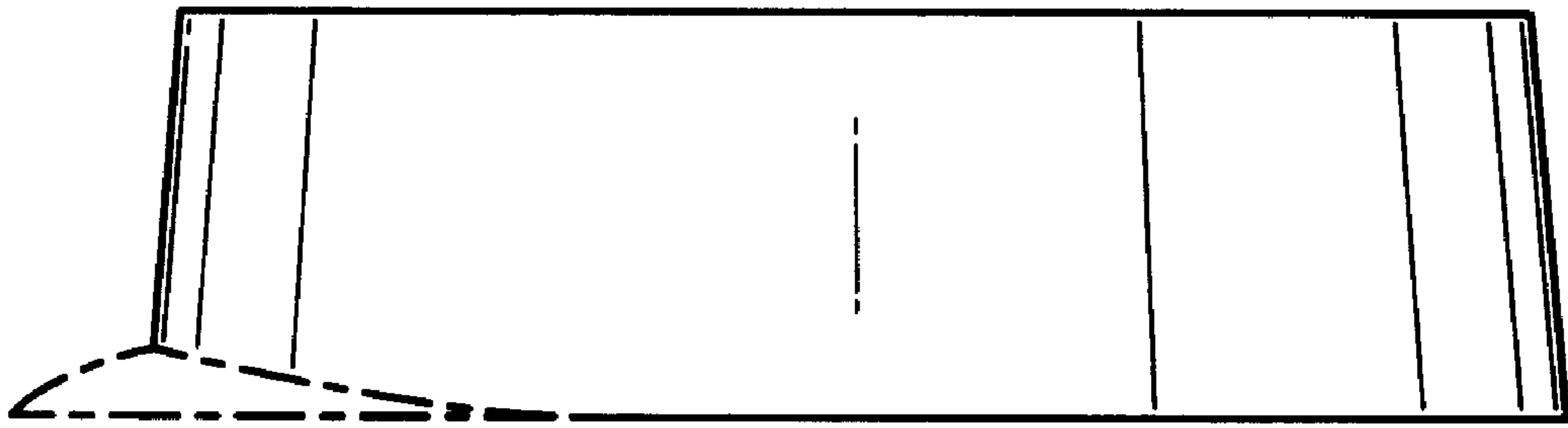


FIG. 4

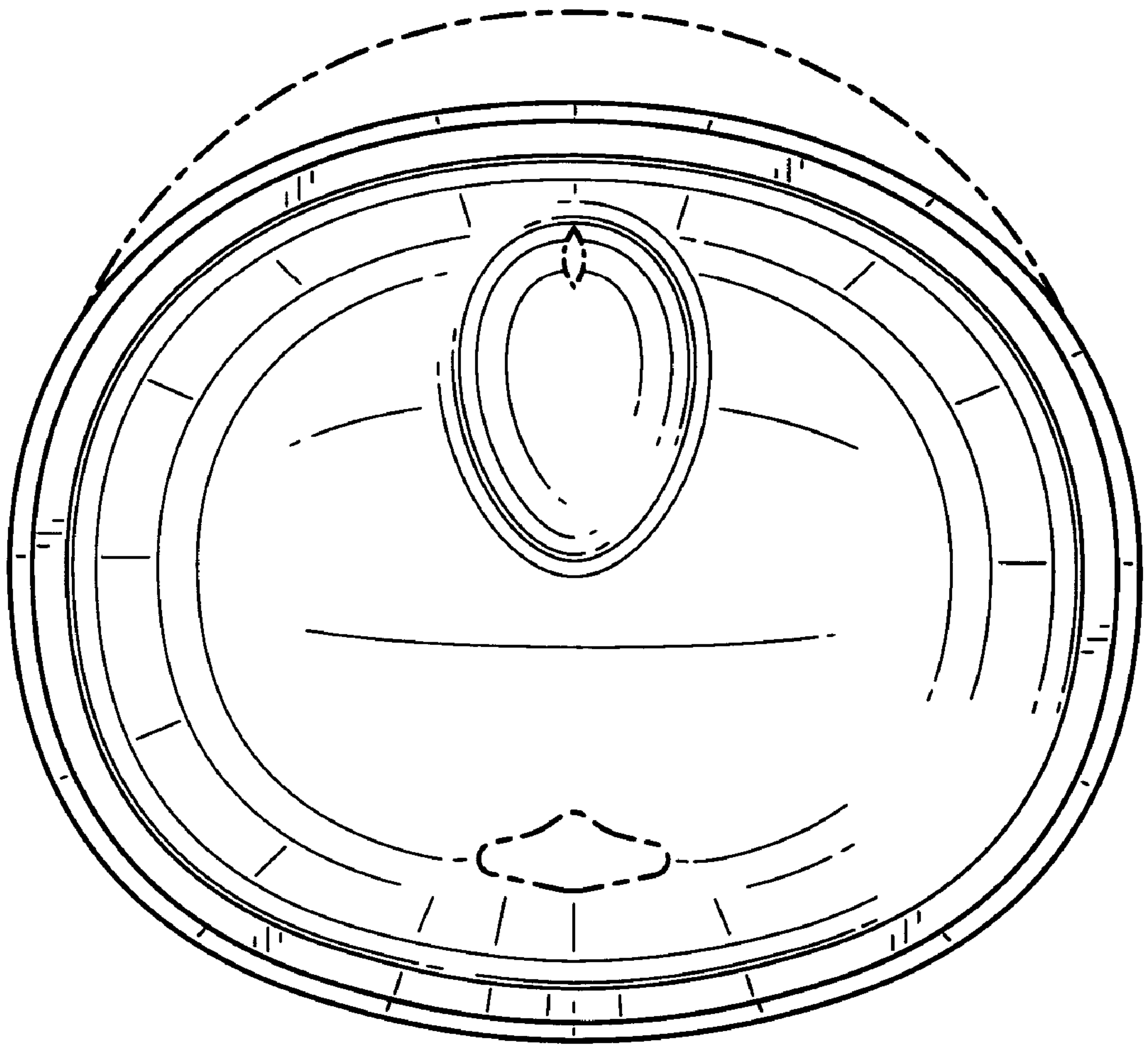


FIG. 5

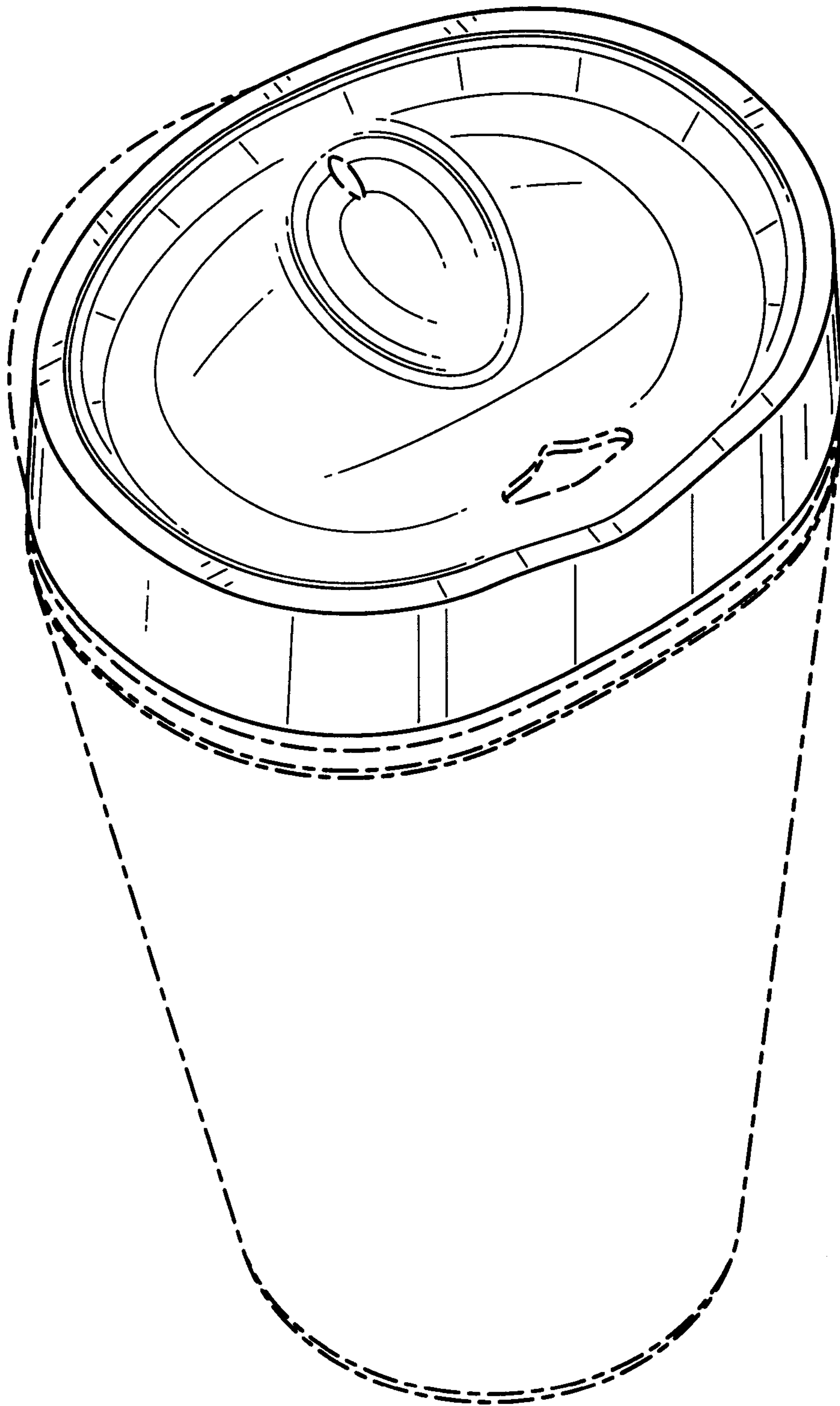


FIG. 6