



US00D460315S

(12) **United States Design Patent**
Martin

(10) **Patent No.:** **US D460,315 S**

(45) **Date of Patent:** **** Jul. 16, 2002**

(54) **EAR CORN COOKER**

(76) **Inventor:** **Alan C. Martin**, 2173 N. 175 W.,
Sunset, UT (US) 84015

(**) **Term:** **14 Years**

(21) **Appl. No.:** **29/149,021**

(22) **Filed:** **Oct. 2, 2001**

(51) **LOC (7) Cl.** **07-02**

(52) **U.S. Cl.** **D7/354**

(58) **Field of Search** D7/323, 352, 354-362;
99/324-329 RT, 339, 340, 403; 219/620-622

(56) **References Cited**

U.S. PATENT DOCUMENTS

- | | | |
|-------------|--------|----------------------|
| 3,669,063 A | 6/1972 | Daniluke |
| D243,059 S | 1/1977 | Hoffschneider et al. |
| 4,920,872 A | 5/1990 | Henry |

5,064,055 A 11/1991 Bessenbach et al.

D325,684 S 4/1992 Deare

D338,307 S 8/1993 Conti

Primary Examiner—Caron D. Veynar

(74) *Attorney, Agent, or Firm*—Donald R. Schoonover

(57) **CLAIM**

The ornamental design for an ear corn cooker, as shown and described.

DESCRIPTION

FIG. 1 is a perspective view of the ear corn cooker embodying the design of the present invention.

FIG. 2 is a front elevational view thereof;

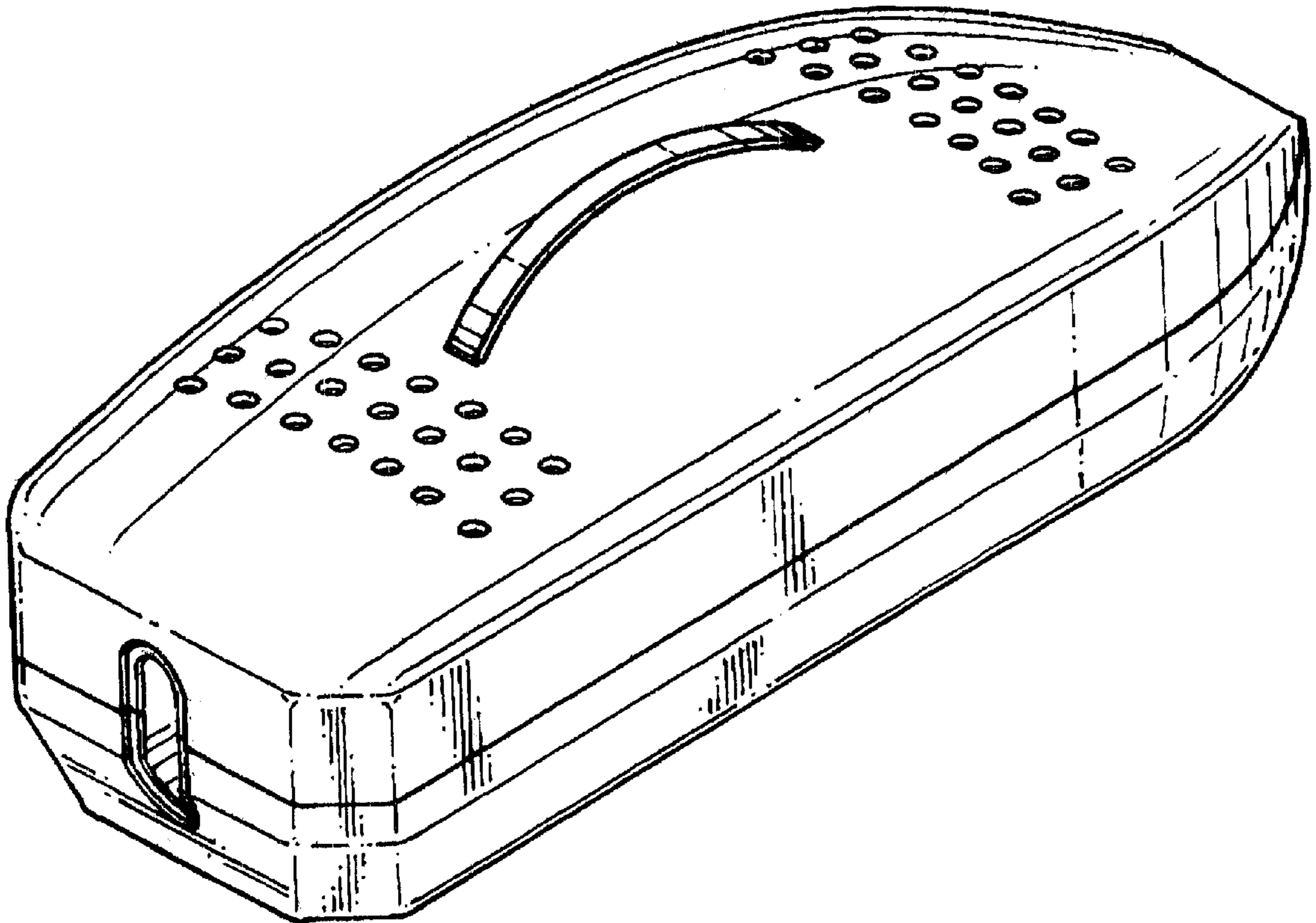
FIG. 3 is a rear elevational view thereof;

FIG. 4 is a side elevational view thereof;

FIG. 5 is a top plan view thereof; and,

FIG. 6 is a bottom plan view thereof.

1 Claim, 4 Drawing Sheets



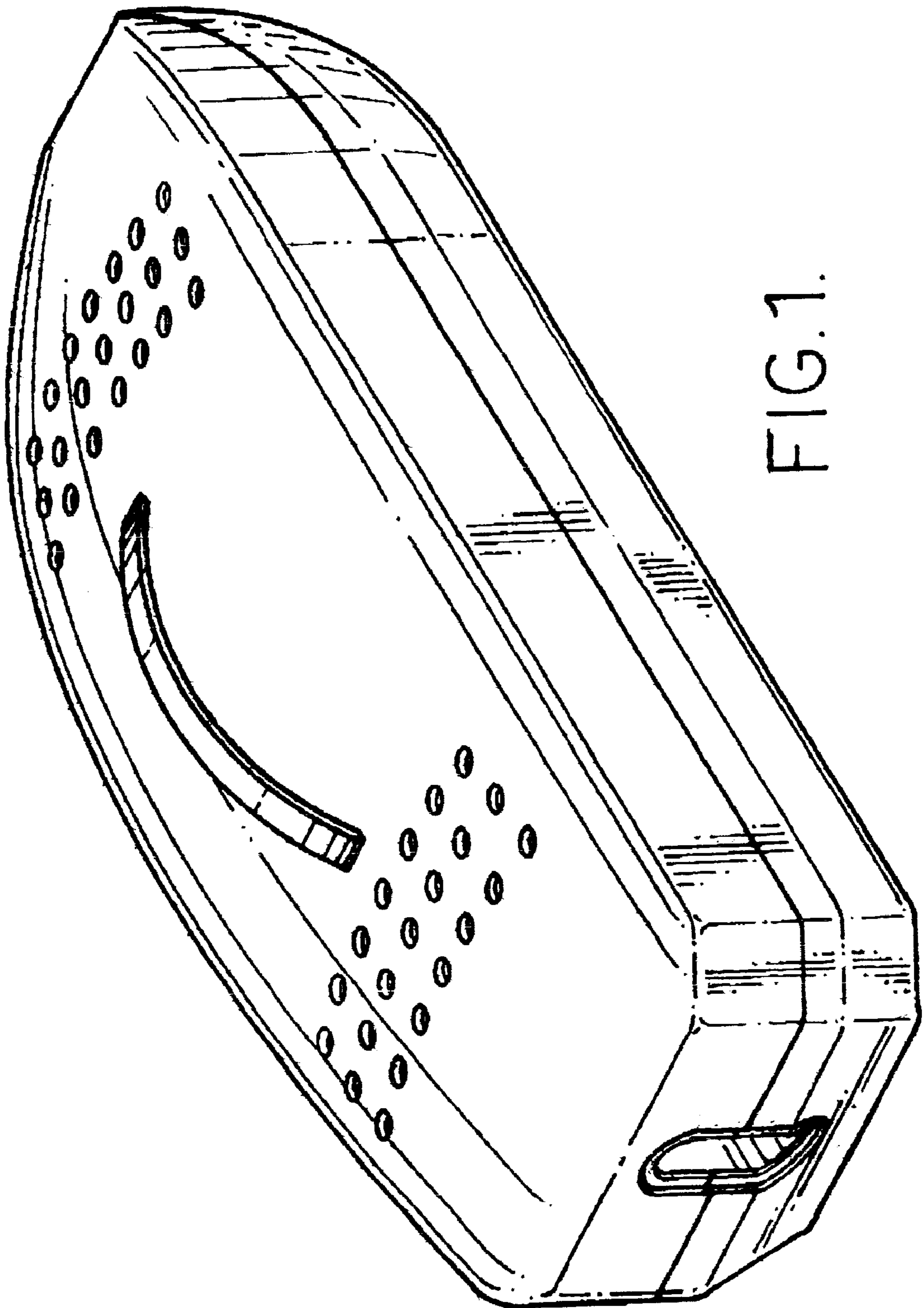


FIG. 1.

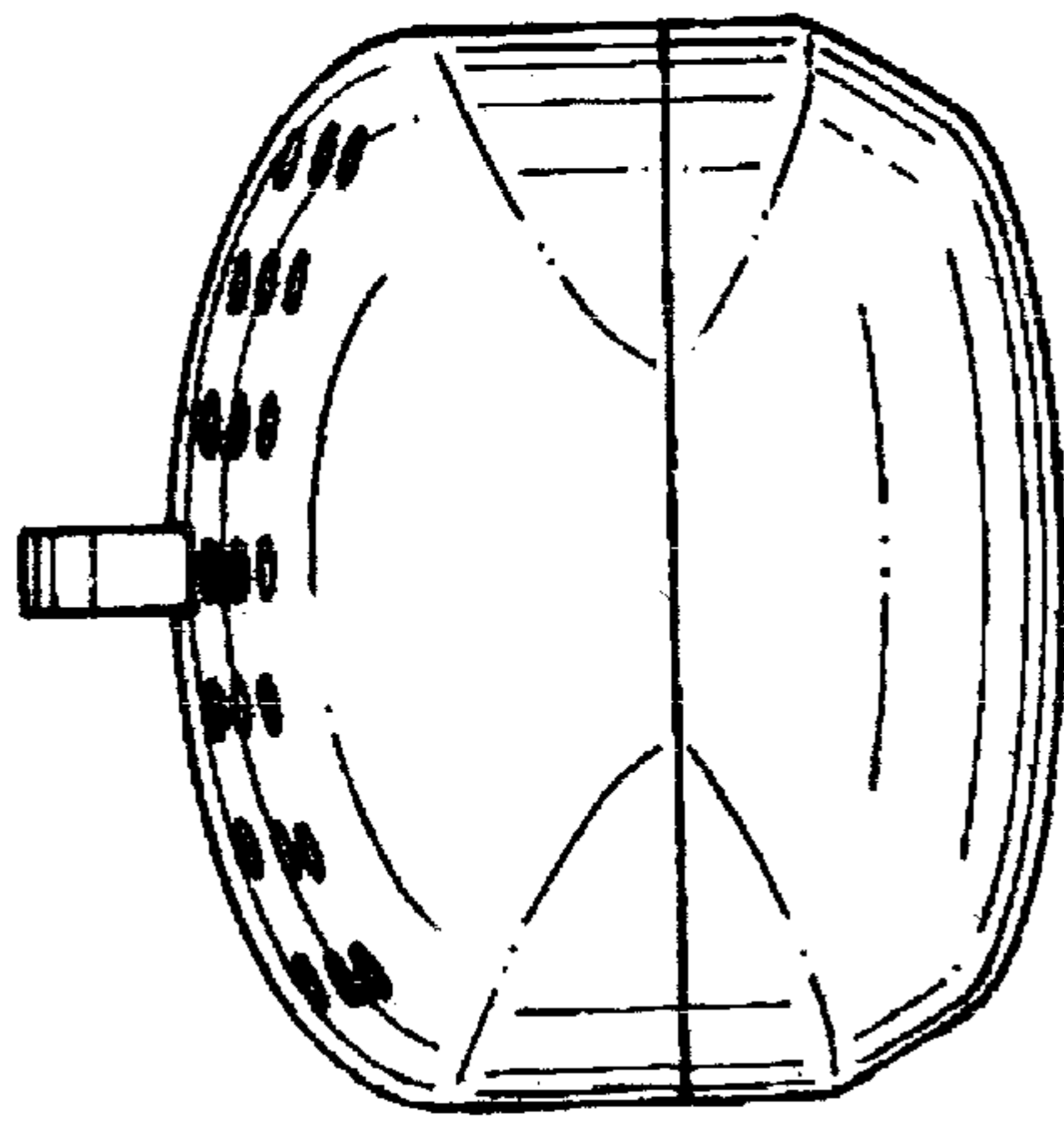


FIG. 2.

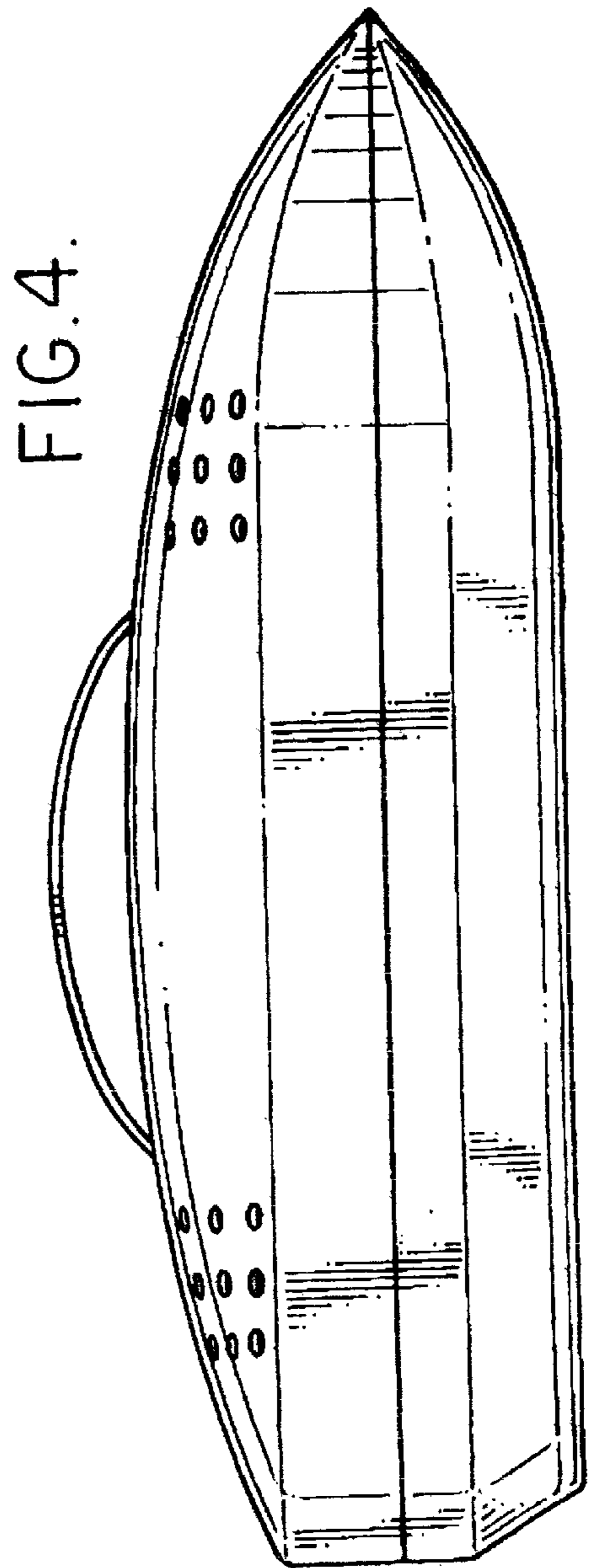


FIG. 4.

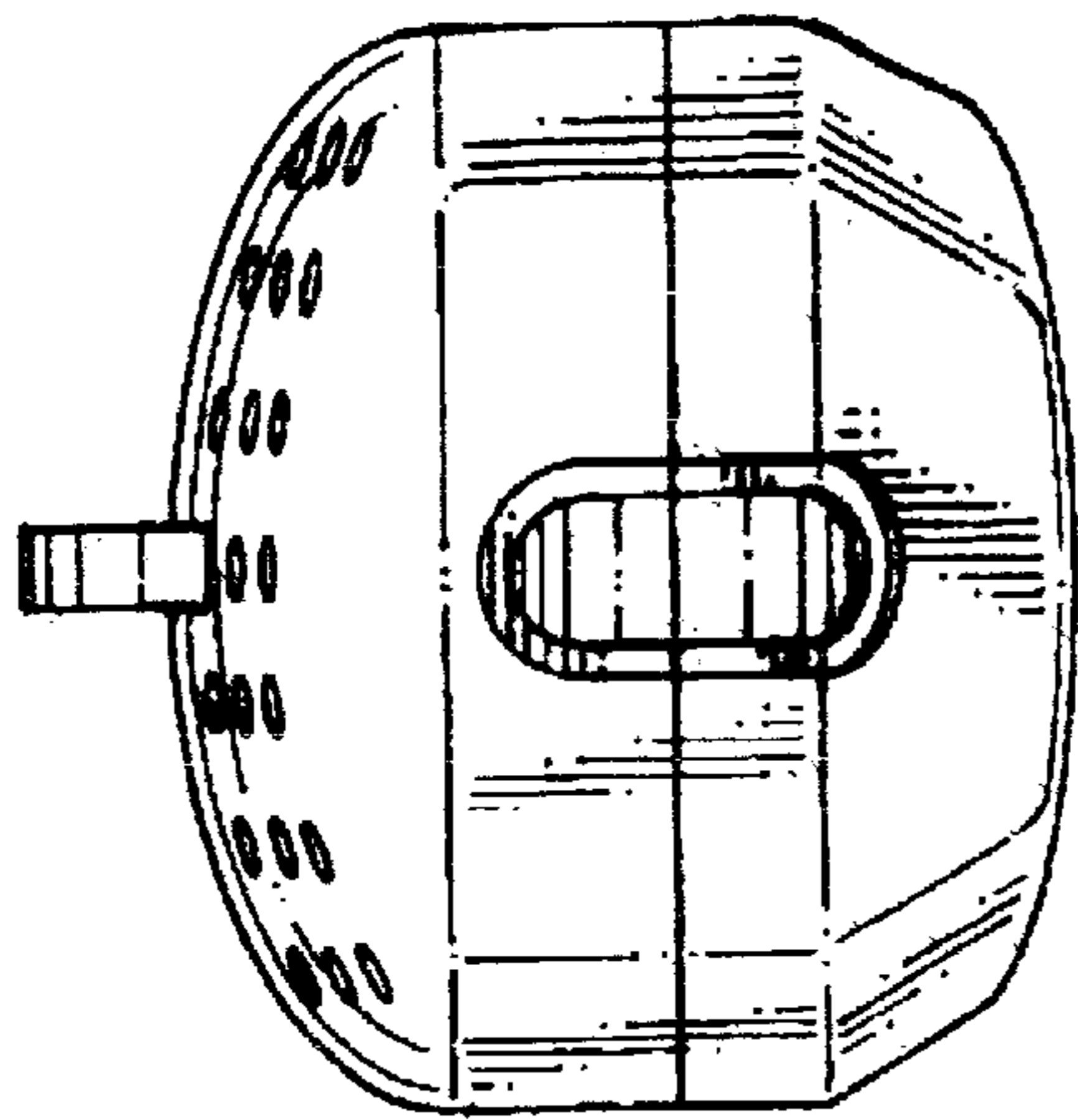


FIG. 3.

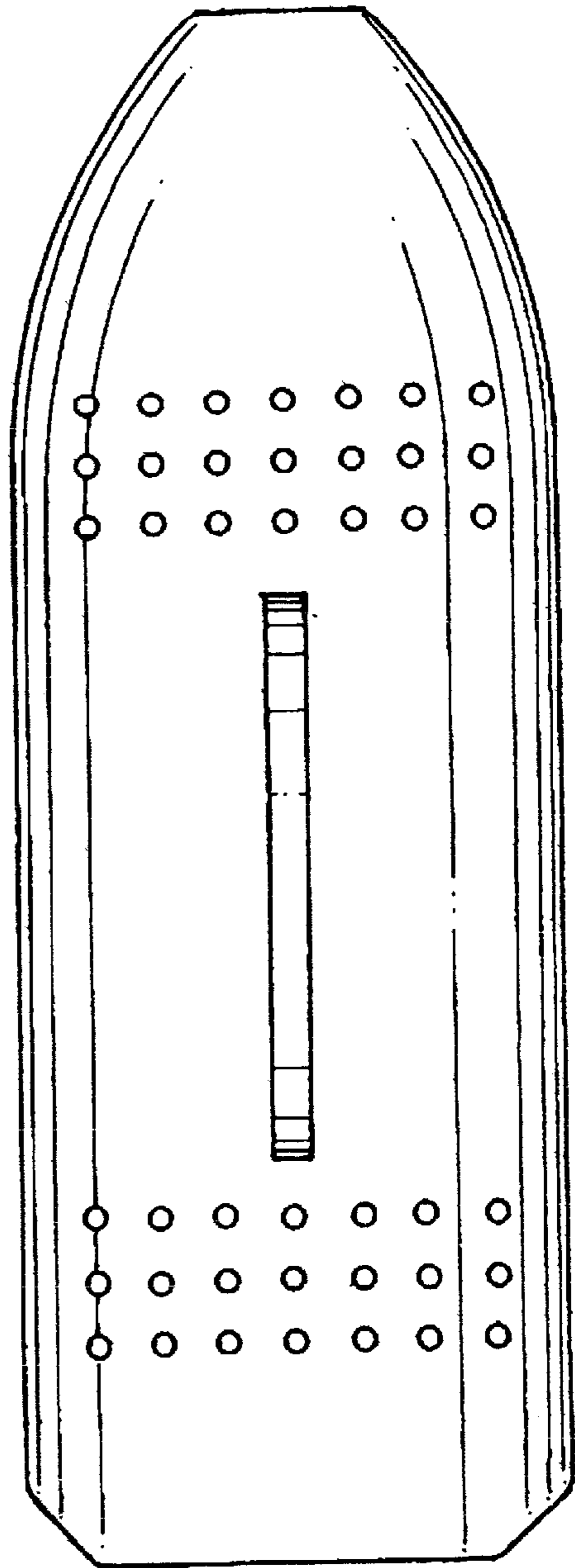


FIG. 5.

FIG. 6.

