



US00D460314S

(12) **United States Design Patent**  
**Bodum**

(10) **Patent No.:** **US D460,314 S**

(45) **Date of Patent:** **\*\* Jul. 16, 2002**

(54) **TABLE GRILL**

(75) **Inventor:** **Jørgen Bodum, St. Niklausen (CH)**

(73) **Assignee:** **PI-Design AG, Triengen (CH)**

(\*\*) **Term:** **14 Years**

(21) **Appl. No.:** **29/138,944**

(22) **Filed:** **Mar. 23, 2001**

(30) **Foreign Application Priority Data**

Sep. 29, 2000 (DK) ..... MA 2000 01057

(51) **LOC (7) Cl.** ..... **07-02**

(52) **U.S. Cl.** ..... **D7/337**

(58) **Field of Search** ..... D7/332, 334, 335,  
D7/336, 337, 402, 409; 126/25 R, 25 A,  
25 AA, 41 R, 29-30, 9 R, 9 B, 4, 6, 506,  
519; D23/343, 348, 350, 317, 332, 334-336,  
338-339; 99/443, 450, 421 R; 248/156

(56) **References Cited**

**U.S. PATENT DOCUMENTS**

D284,929 S \* 8/1986 Schlosser et al. .... D7/332  
D385,146 S \* 10/1997 Fielding et al. .... D7/332

D385,147 S \* 10/1997 Fielding et al. .... D7/332  
D414,980 S \* 10/1999 Pai ..... D7/337  
D415,925 S \* 11/1999 Pai ..... D7/337  
D420,546 S \* 2/2000 Pai ..... D7/332  
D427,840 S \* 7/2000 Pai ..... D7/332  
D444,023 S \* 6/2001 Pai ..... D7/337

\* cited by examiner

*Primary Examiner*—Ruth McInroy

(74) *Attorney, Agent, or Firm*—Nath & Associates PLLC;  
Gary M. Nath; Marvin C. Berkowitz

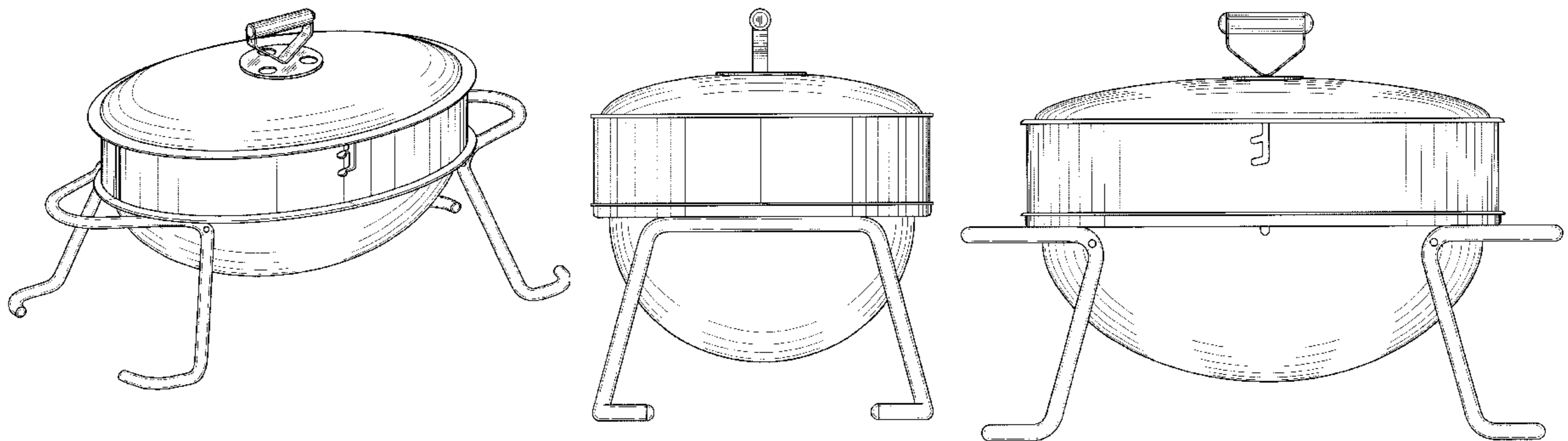
(57) **CLAIM**

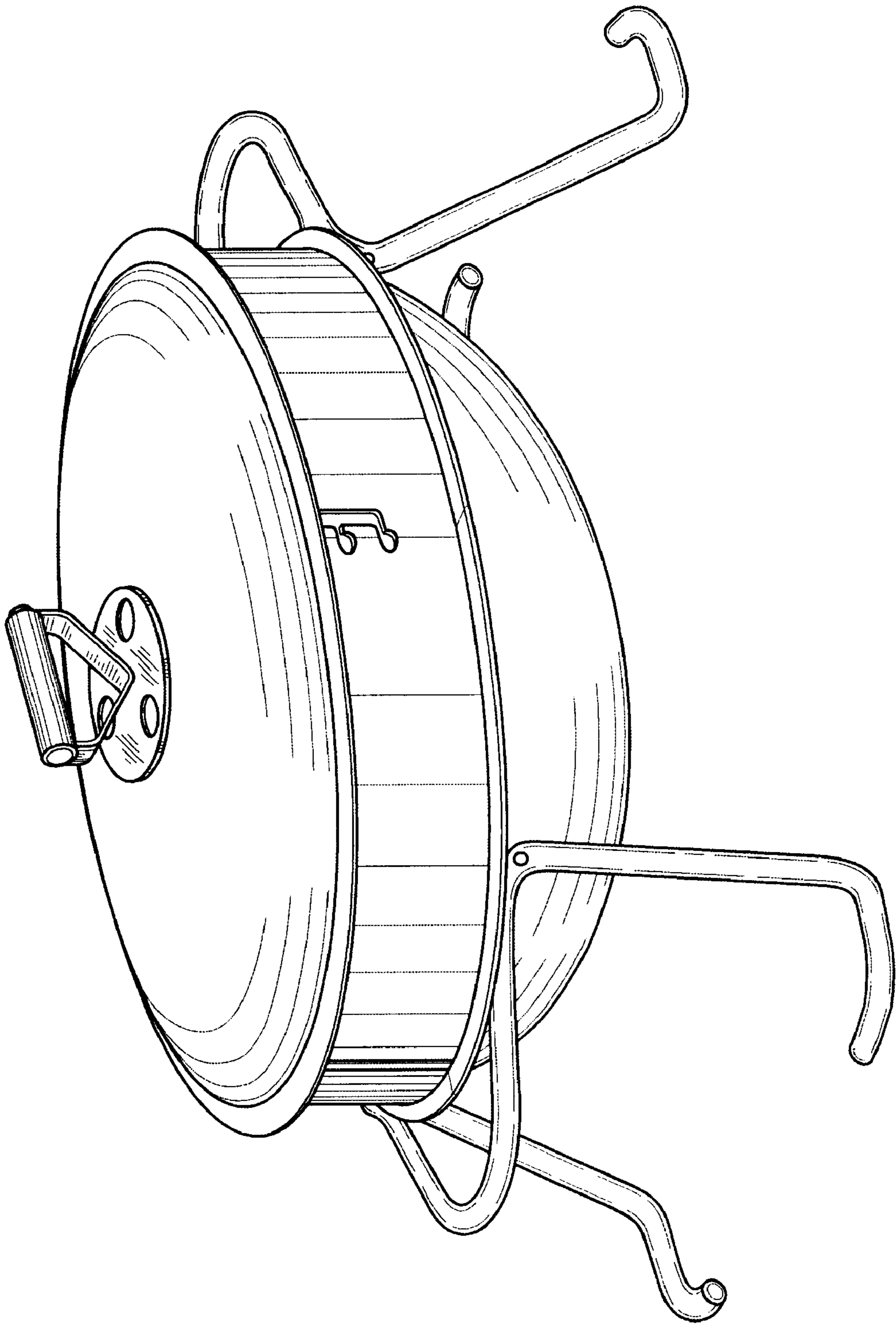
I claim the ornamental design for a table grill, as shown and described.

**DESCRIPTION**

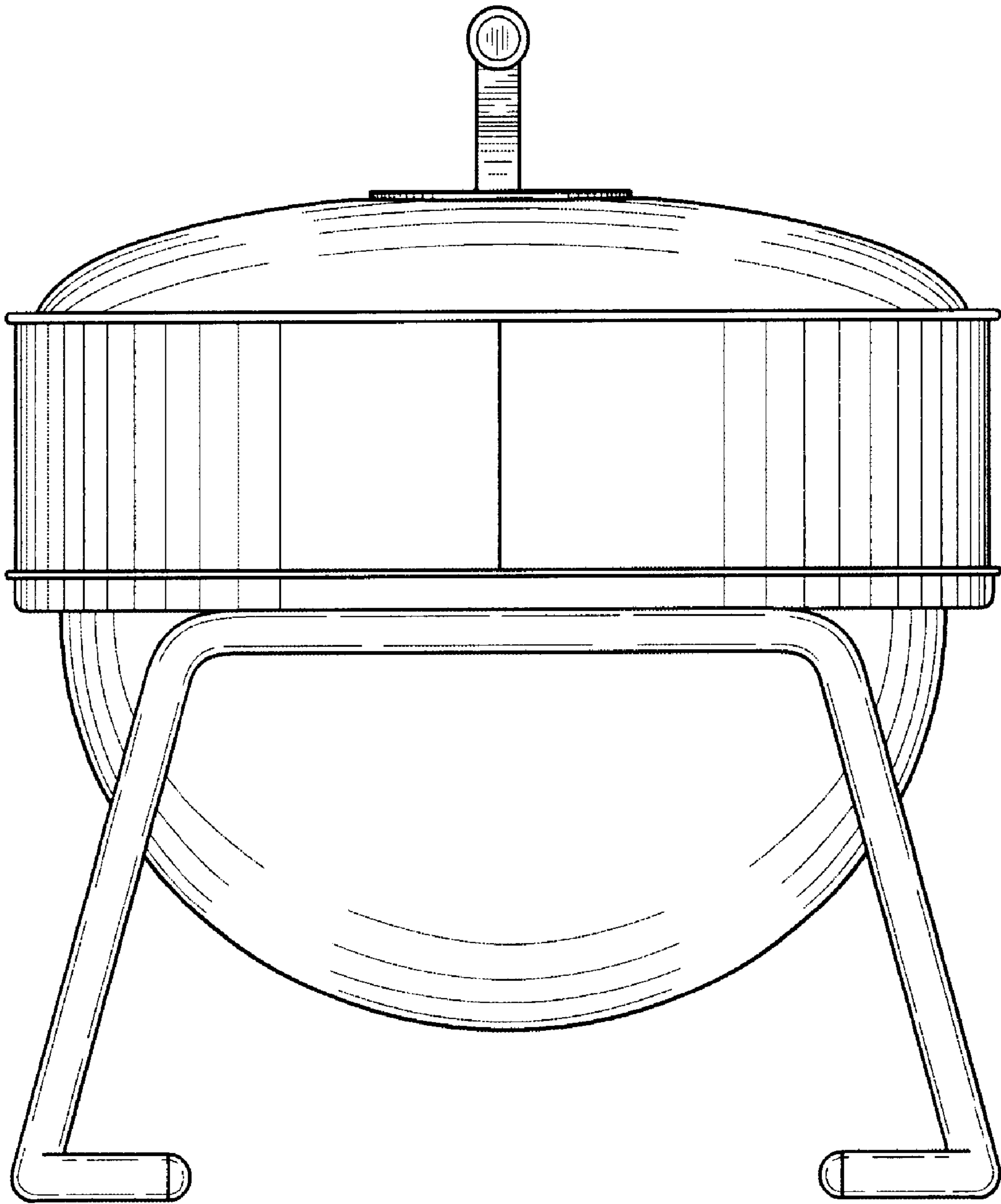
FIG. 1 is a perspective view of a table grill showing my new design;  
FIG. 2 is a right side elevational view thereof;  
FIG. 3 is a left side elevational view thereof;  
FIG. 4 is a front elevational view thereof;  
FIG. 5 is a rear elevational view thereof;  
FIG. 6 is a top plan view thereof; and,  
FIG. 7 is a bottom plan view thereof.

**1 Claim, 7 Drawing Sheets**

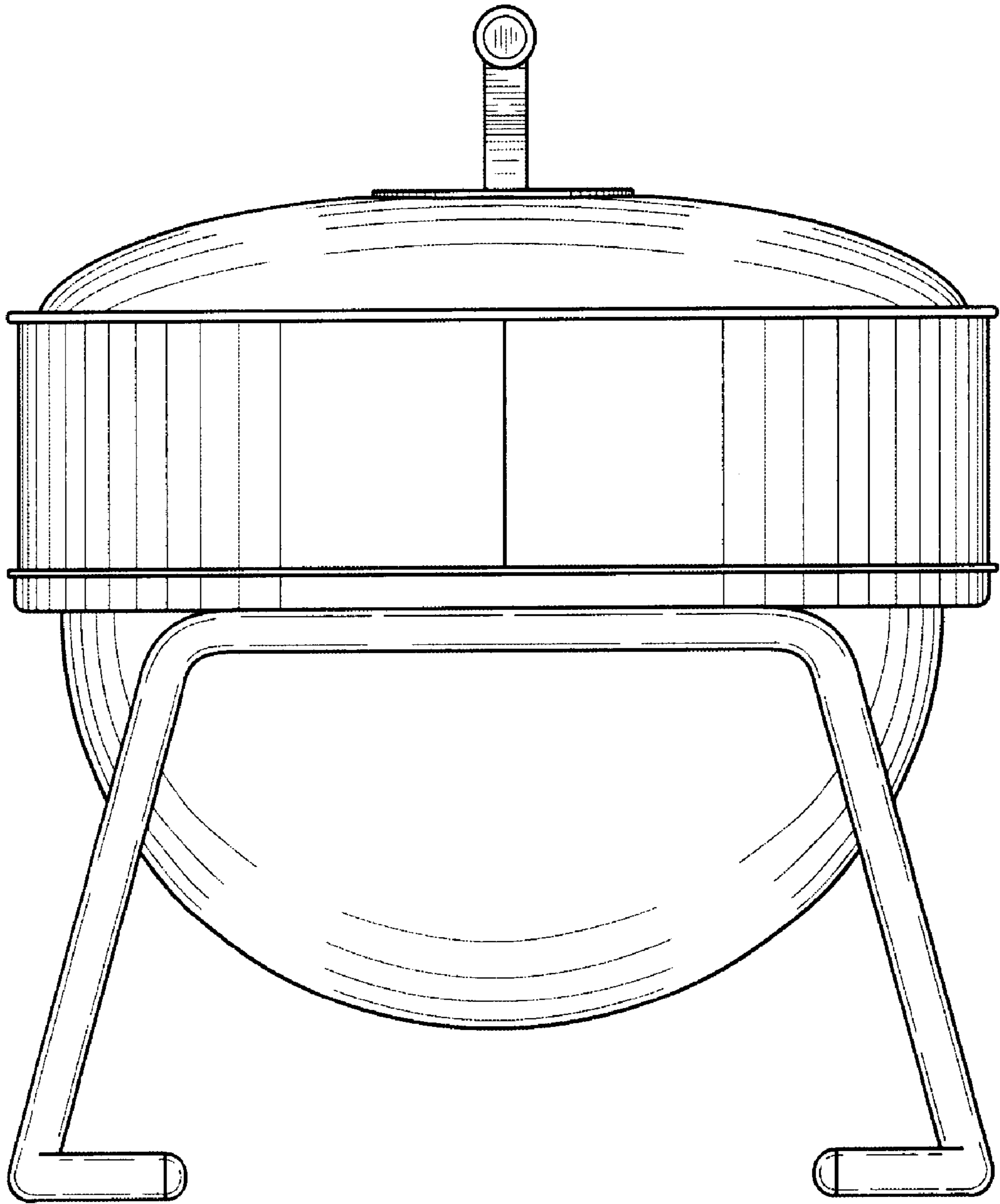




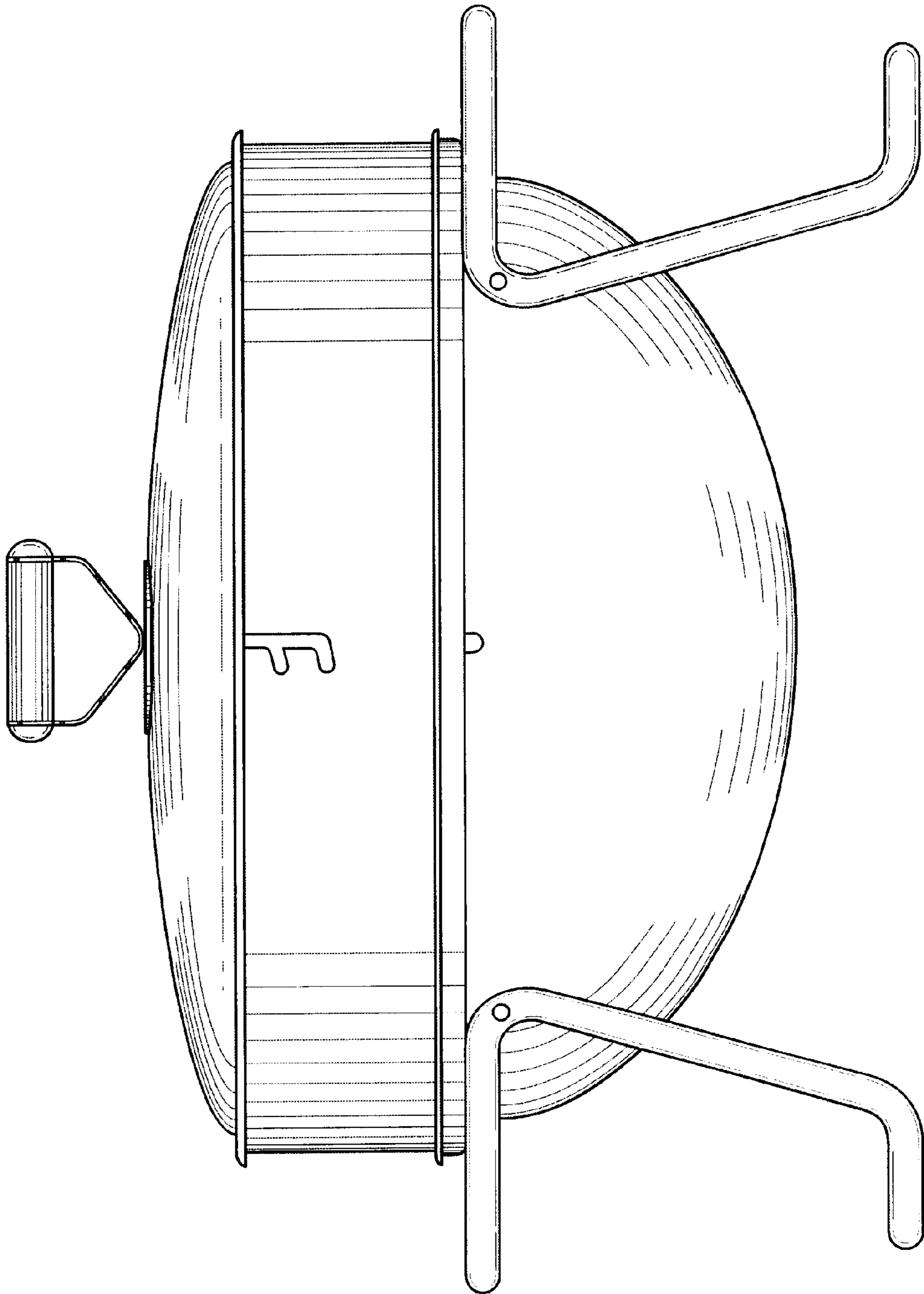
**FIG. 1**



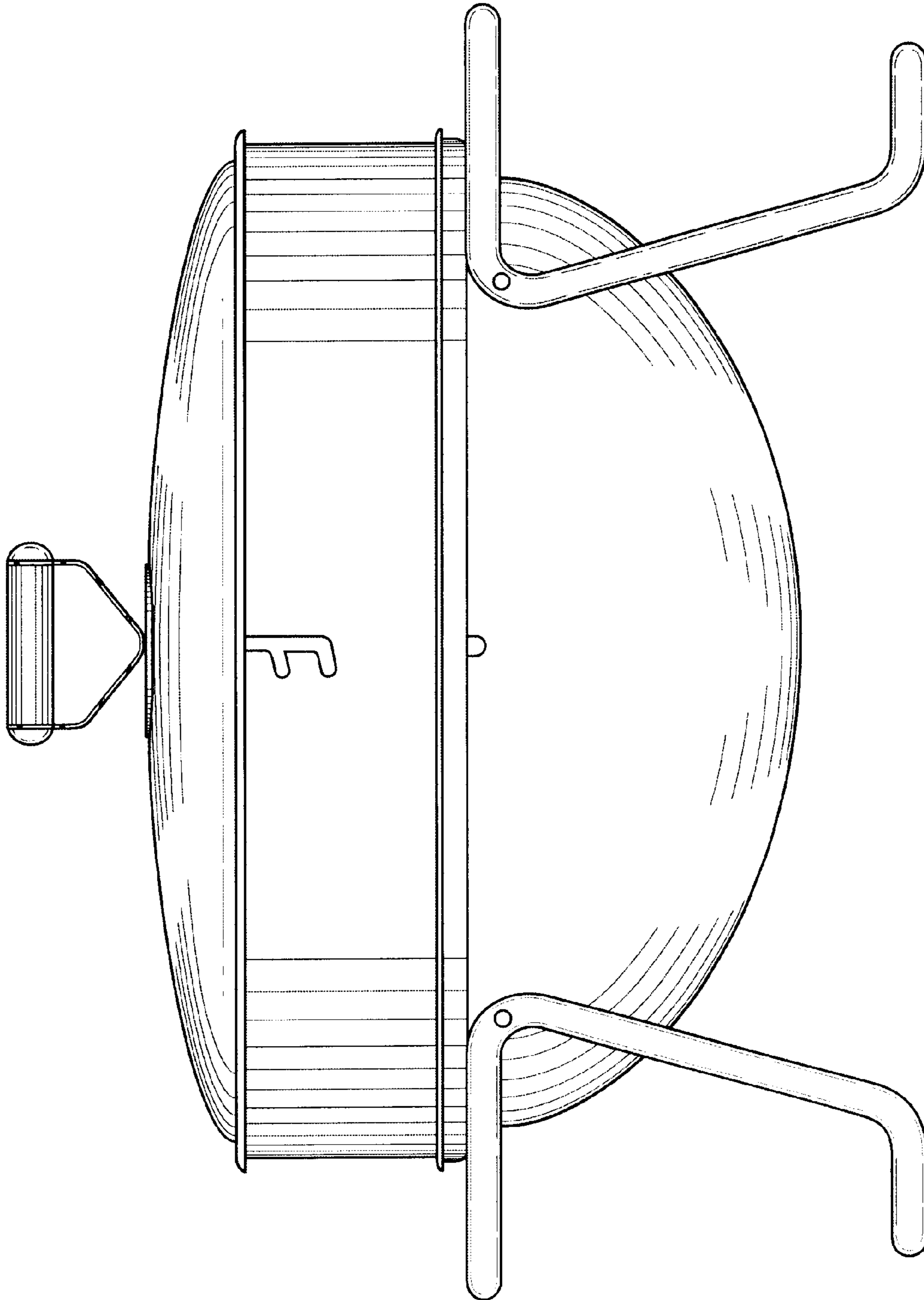
**FIG. 2**



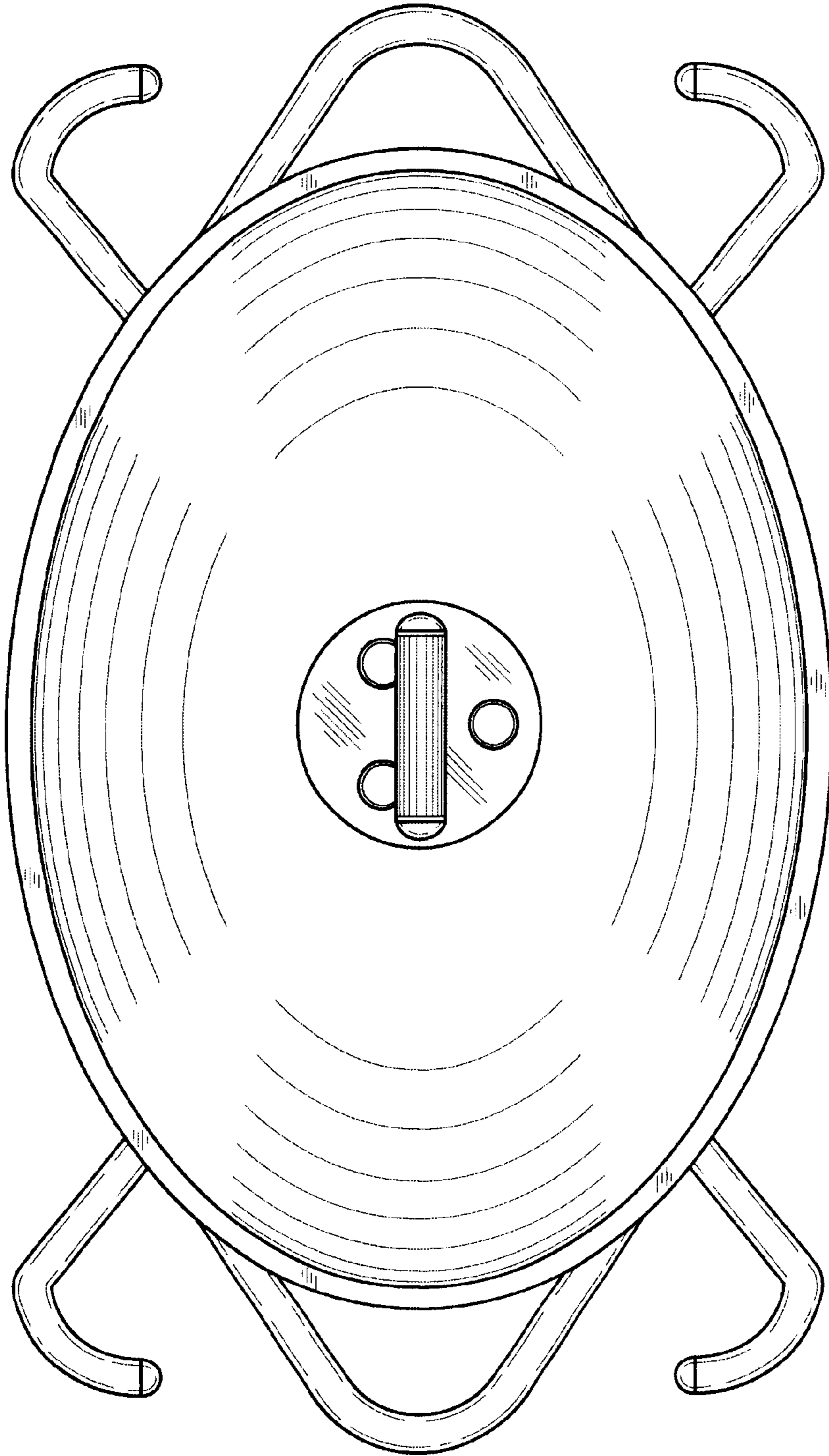
**FIG. 3**



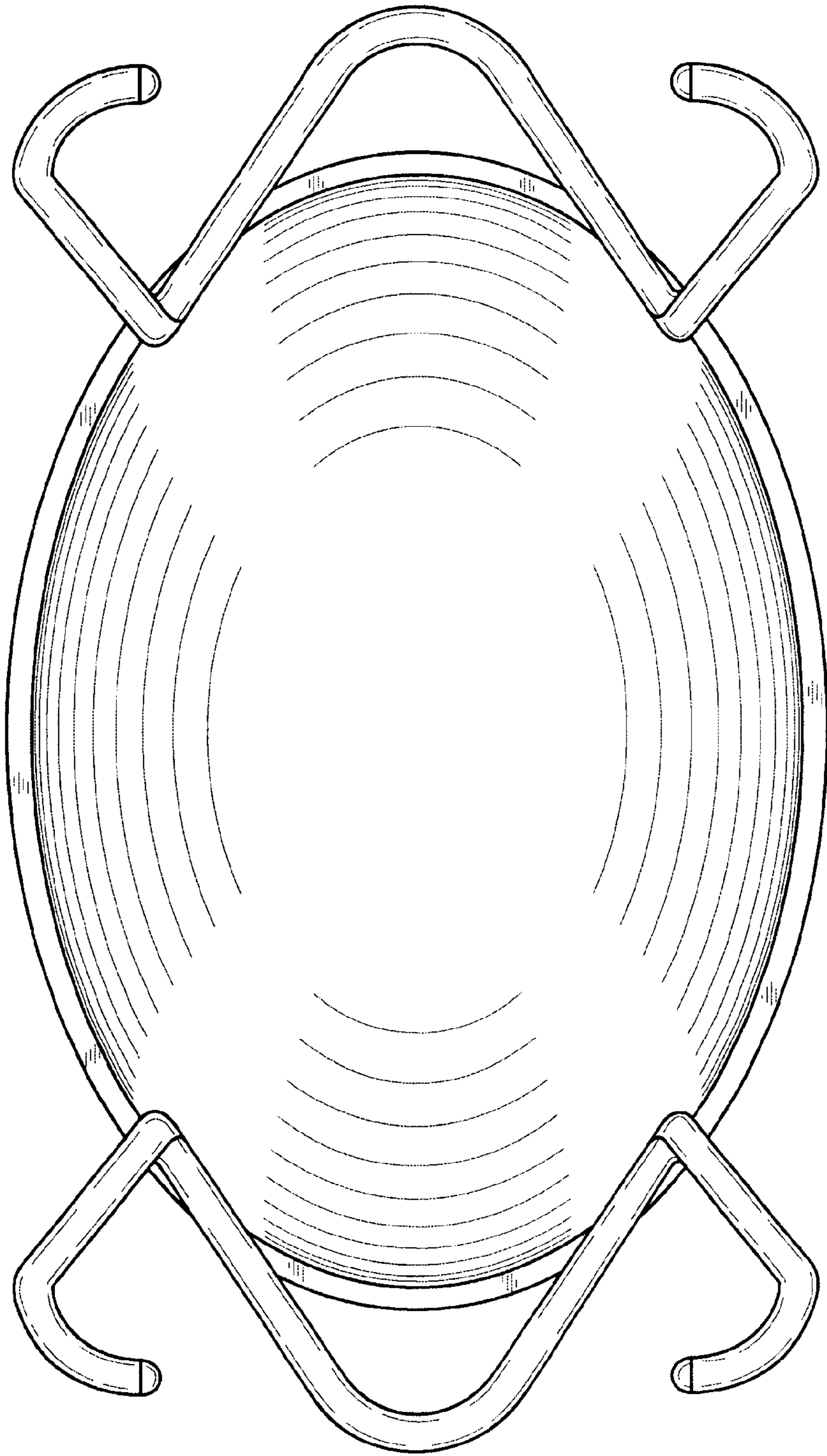
**FIG. 4**



**FIG. 5**



**FIG. 6**



**FIG. 7**