



US00D460312S

(12) **United States Design Patent**  
**Fry et al.**

(10) **Patent No.:** **US D460,312 S**

(45) **Date of Patent:** **\*\* Jul. 16, 2002**

(54) **BARBECUE GRILL AND CART ASSEMBLY**

(75) Inventors: **Tim Fry**, Rugby; **Dave Martin**, Birmingham; **Amanda-Jane Hardingham**, Coventry; **Julia Dixon**, Coventry; **Steve Ronald May-Russell**, Coventry, all of (GB)

(73) Assignee: **W. C. Bradley Company**, Columbus, GA (US)

(\*\*) Term: **14 Years**

(21) Appl. No.: **29/146,281**

(22) Filed: **Aug. 7, 2001**

(51) **LOC (7) Cl.** ..... **07-02**

(52) **U.S. Cl.** ..... **D7/334**

(58) **Field of Search** ..... D7/332-337, 402-405; 126/25 R, 25 A, 25 AA, 29-30, 33, 38, 41 R; 99/421 H, 419, 427, 449

(56) **References Cited**

**U.S. PATENT DOCUMENTS**

D322,909 S \* 1/1992 Parent et al. .... D7/334  
D351,308 S \* 10/1994 Pai ..... D7/334

D406,005 S \* 2/1999 Wagner et al. .... D7/335  
D424,363 S \* 5/2000 Smith ..... D7/334  
D426,101 S \* 6/2000 Pai ..... D7/334  
D426,741 S \* 6/2000 Pai ..... D7/334  
D437,177 S \* 2/2001 Giebel et al. .... D7/334  
D450,215 S \* 11/2001 Wood et al. .... D7/334  
D450,525 S \* 11/2001 Giebel et al. .... D7/334

\* cited by examiner

*Primary Examiner*—Ruth McInroy

(74) *Attorney, Agent, or Firm*—James W. Kayden; Thomas, Kayden, Horstemeyer & Risley, L.L.P.

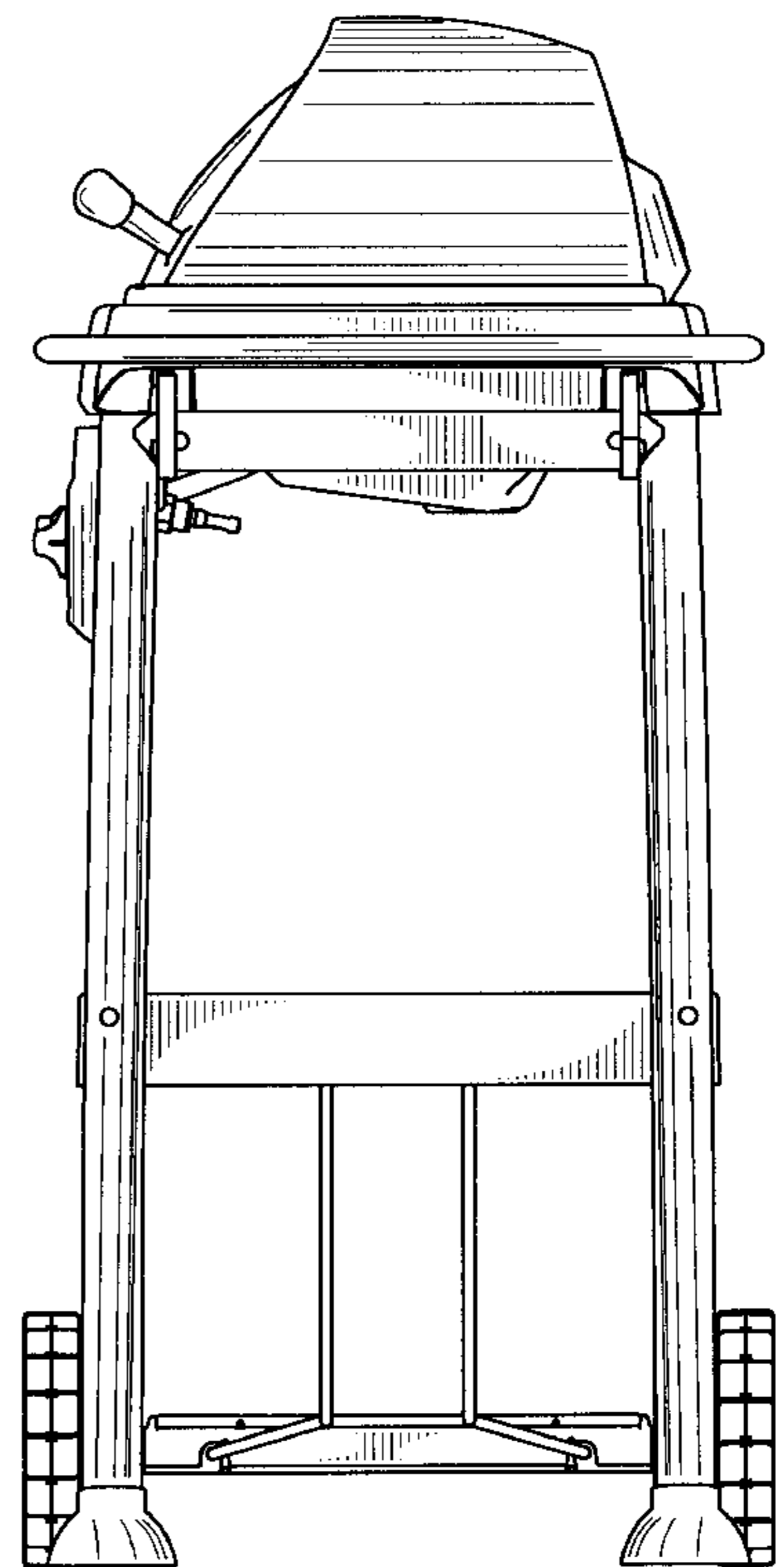
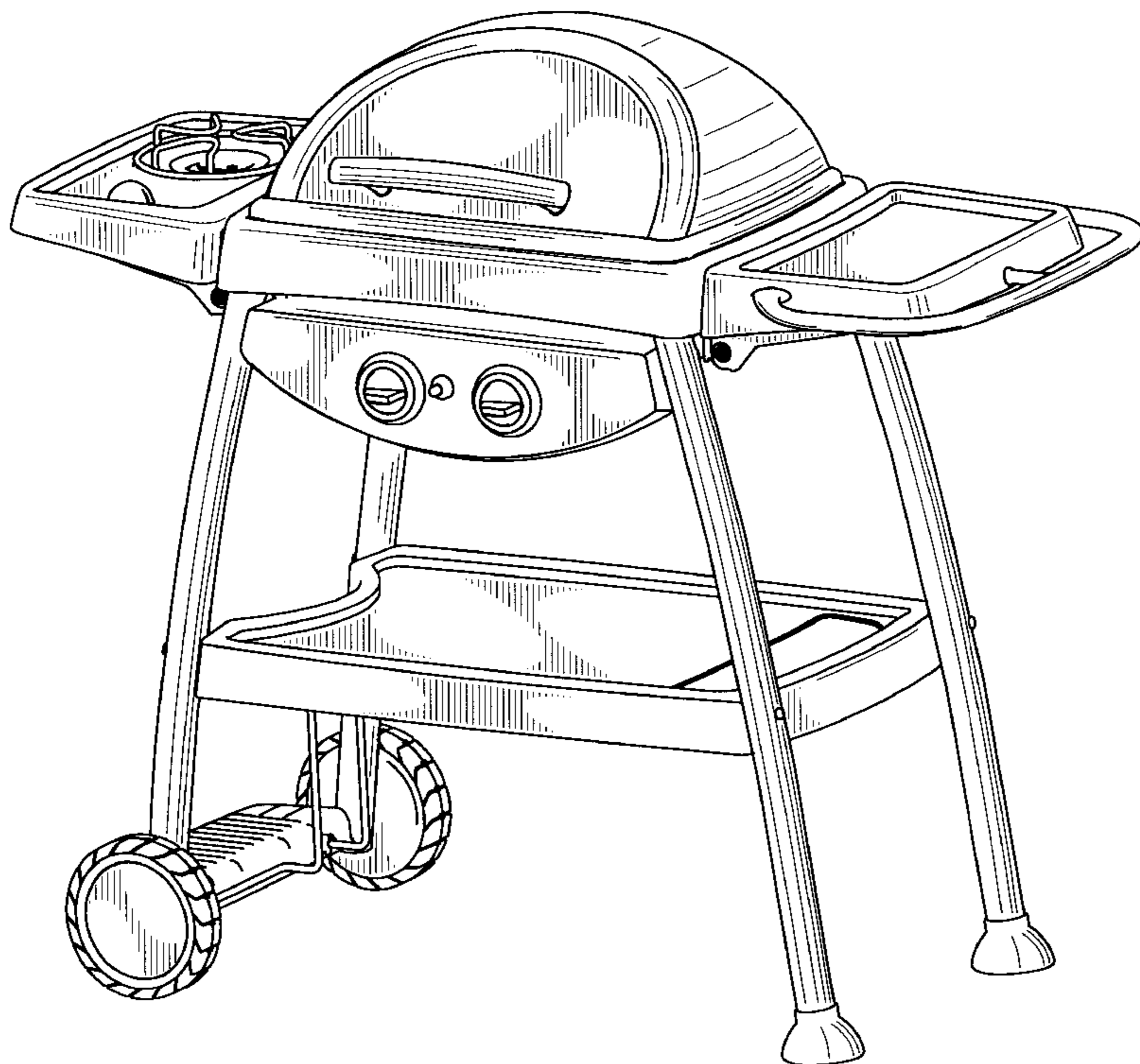
(57) **CLAIM**

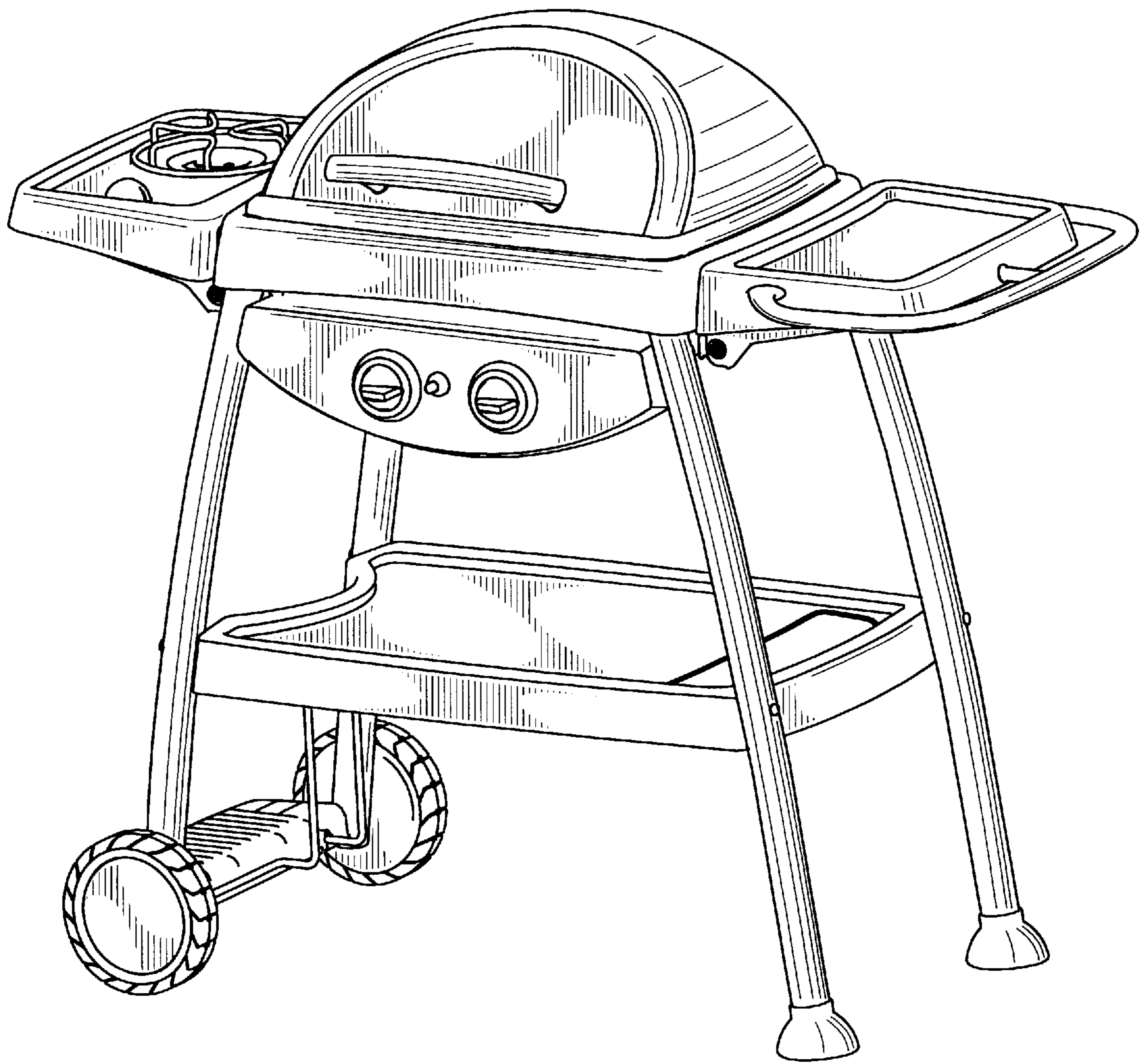
The ornamental design of a barbecue grill and cart assembly, as shown and described.

**DESCRIPTION**

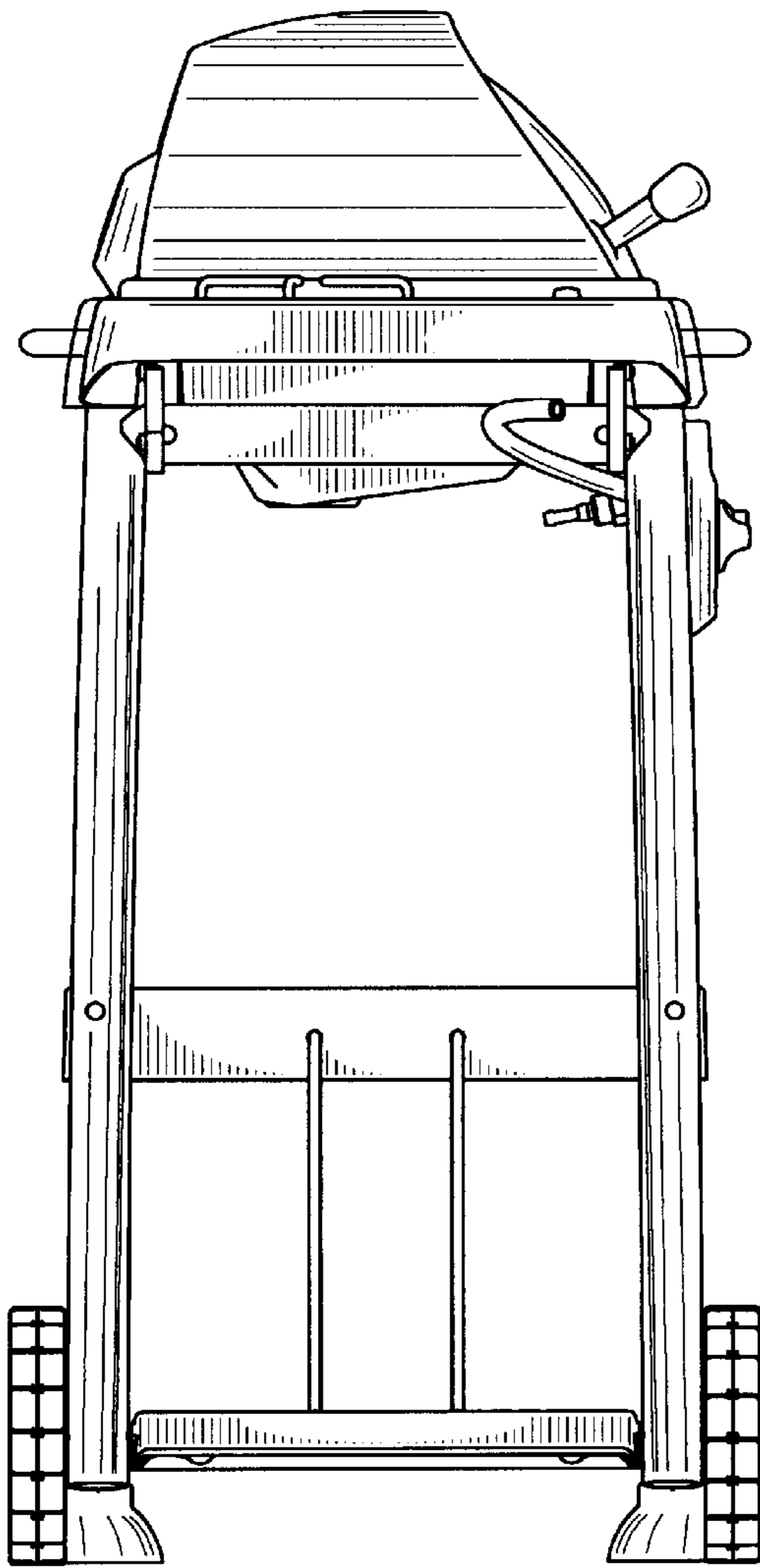
FIG. 1 is a perspective view of a barbecue grill and cart assembly showing our new design; FIG. 2 is a left side elevational view thereof; FIG. 3 is a right side elevational view thereof; FIG. 4 is a front elevational view thereof; FIG. 5 is a rear elevational view thereof; and, FIG. 6 is a top plan view thereof.

**1 Claim, 5 Drawing Sheets**

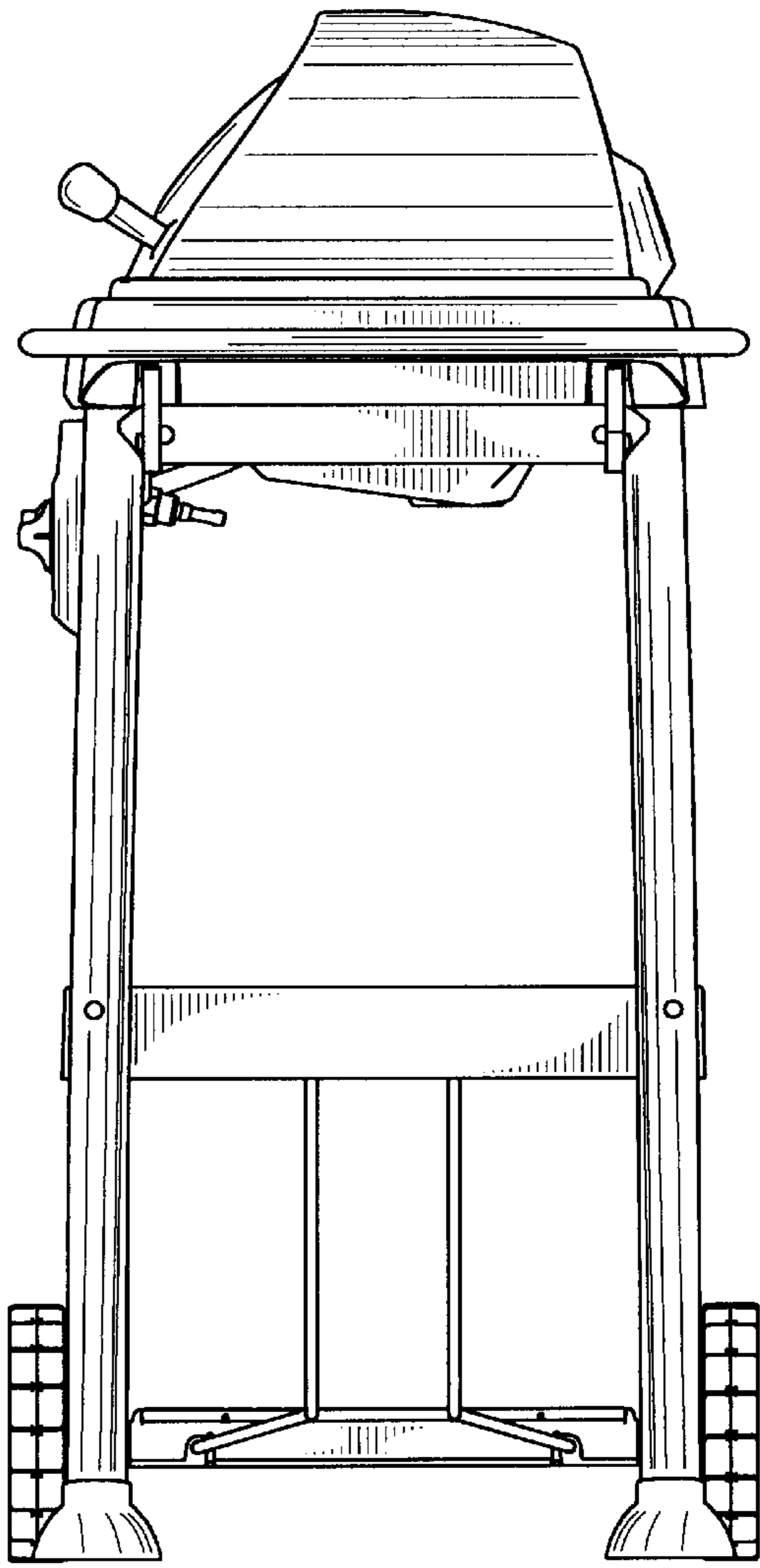




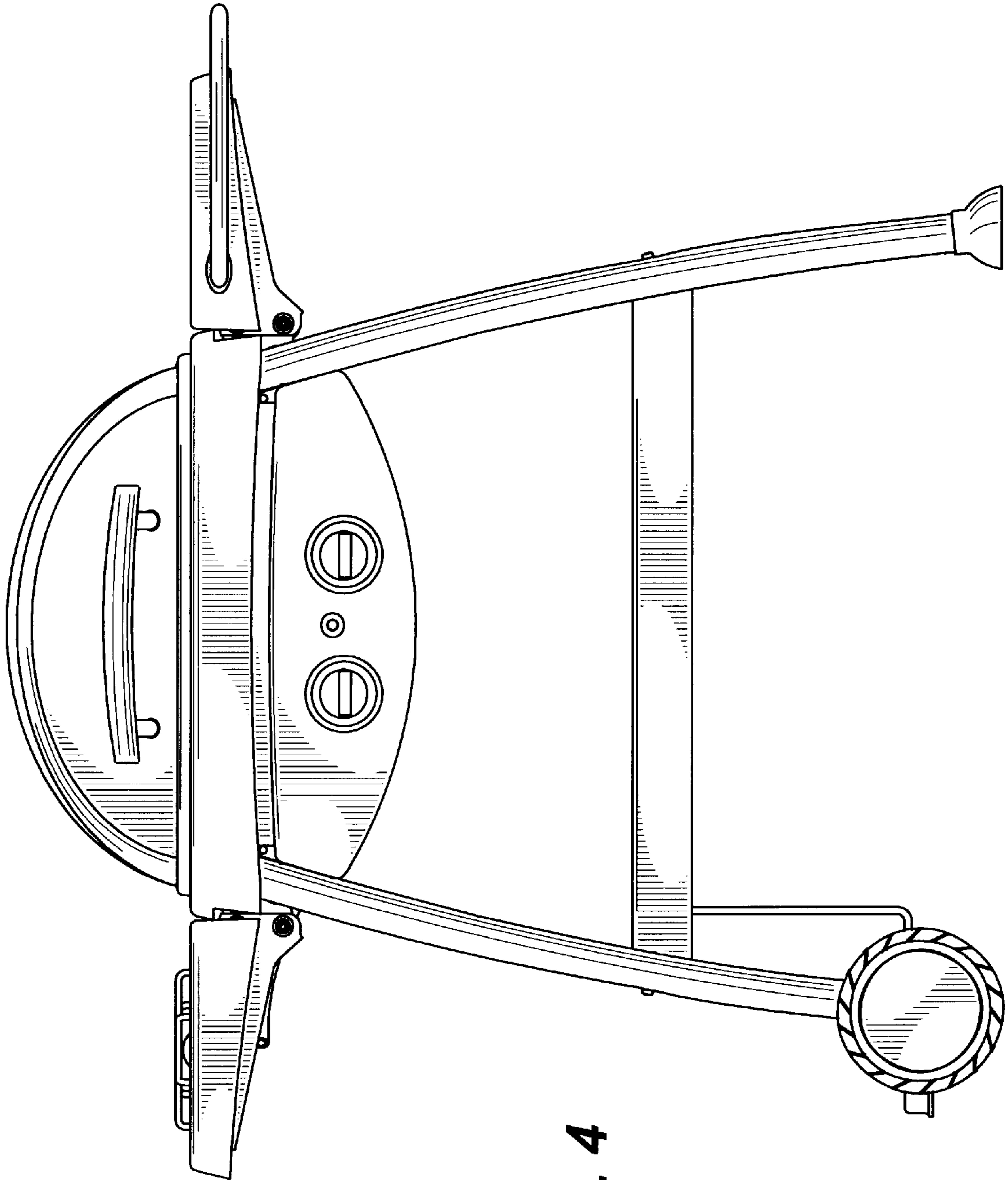
**Fig. 1**



**Fig. 2**

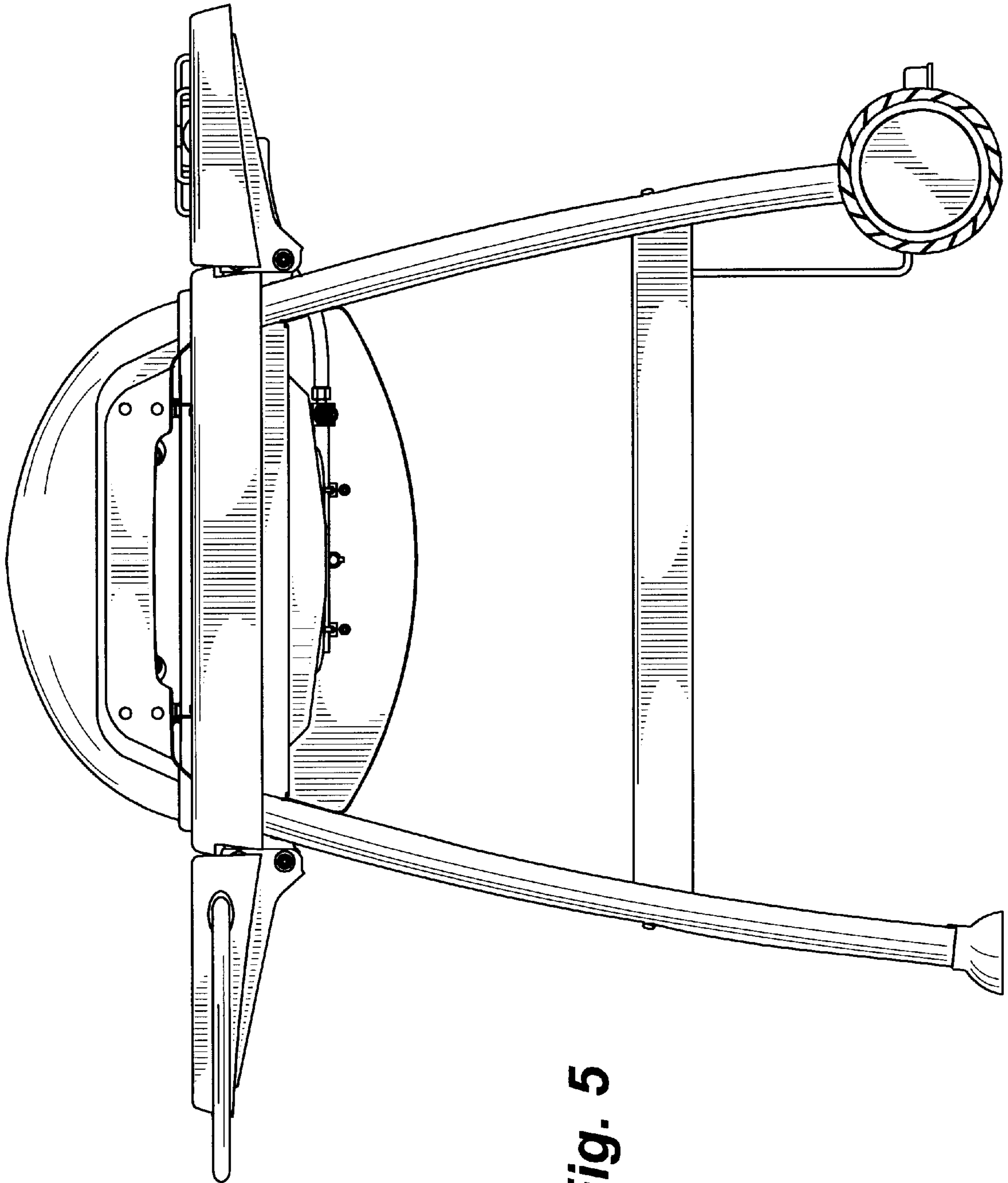


**Fig. 3**

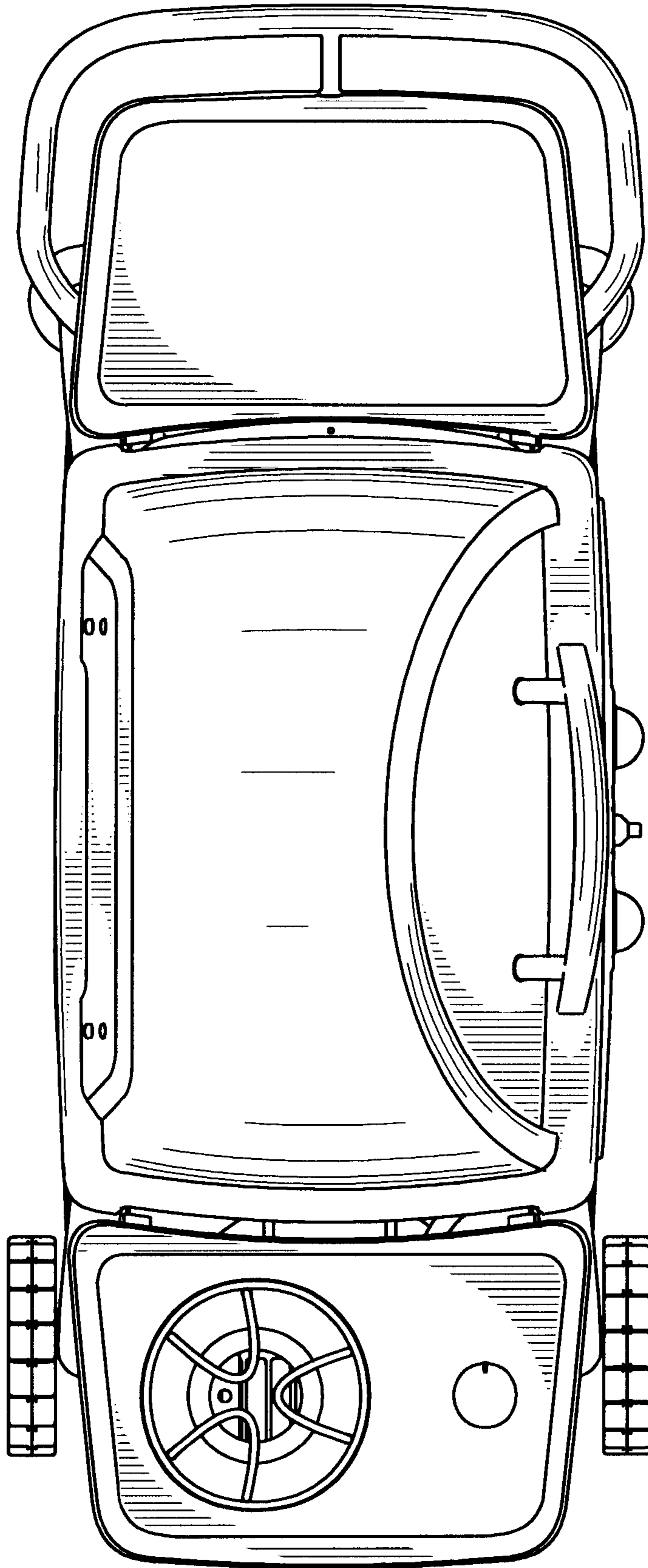


**Fig. 4**





**Fig. 5**



**Fig. 6**