



US00D460305S

(12) **United States Design Patent**  
**Fletcher**

(10) **Patent No.:** **US D460,305 S**

(45) **Date of Patent:** **\*\* Jul. 16, 2002**

(54) **TOILET PAPER ROLL DISPENSER**

(76) Inventor: **Pamela K. Fletcher**, 10665 92nd St.  
North, Largo, FL (US) 33777

(\*\*) Term: **14 Years**

(21) Appl. No.: **29/148,008**

(22) Filed: **Sep. 11, 2001**

(51) **LOC (7) Cl.** ..... **23-02**

(52) **U.S. Cl.** ..... **D6/523**

(58) **Field of Search** ..... D6/515, 518, 522,  
D6/523; 222/92, 105, 173; 221/282, 26,  
33; 206/389, 391

(56) **References Cited**

**U.S. PATENT DOCUMENTS**

D327,798 S	*	7/1992	Addison et al.	.....	D6/523
D362,145 S	*	9/1995	Nolen	.....	D6/523
D366,381 S	*	1/1996	Espinal	.....	D6/523 X
D385,135 S	*	10/1997	Ching	.....	D6/515

\* cited by examiner

*Primary Examiner*—Brian N. Vinson

(74) *Attorney, Agent, or Firm*—Larson & Larson, P.A.;  
James E. Larson

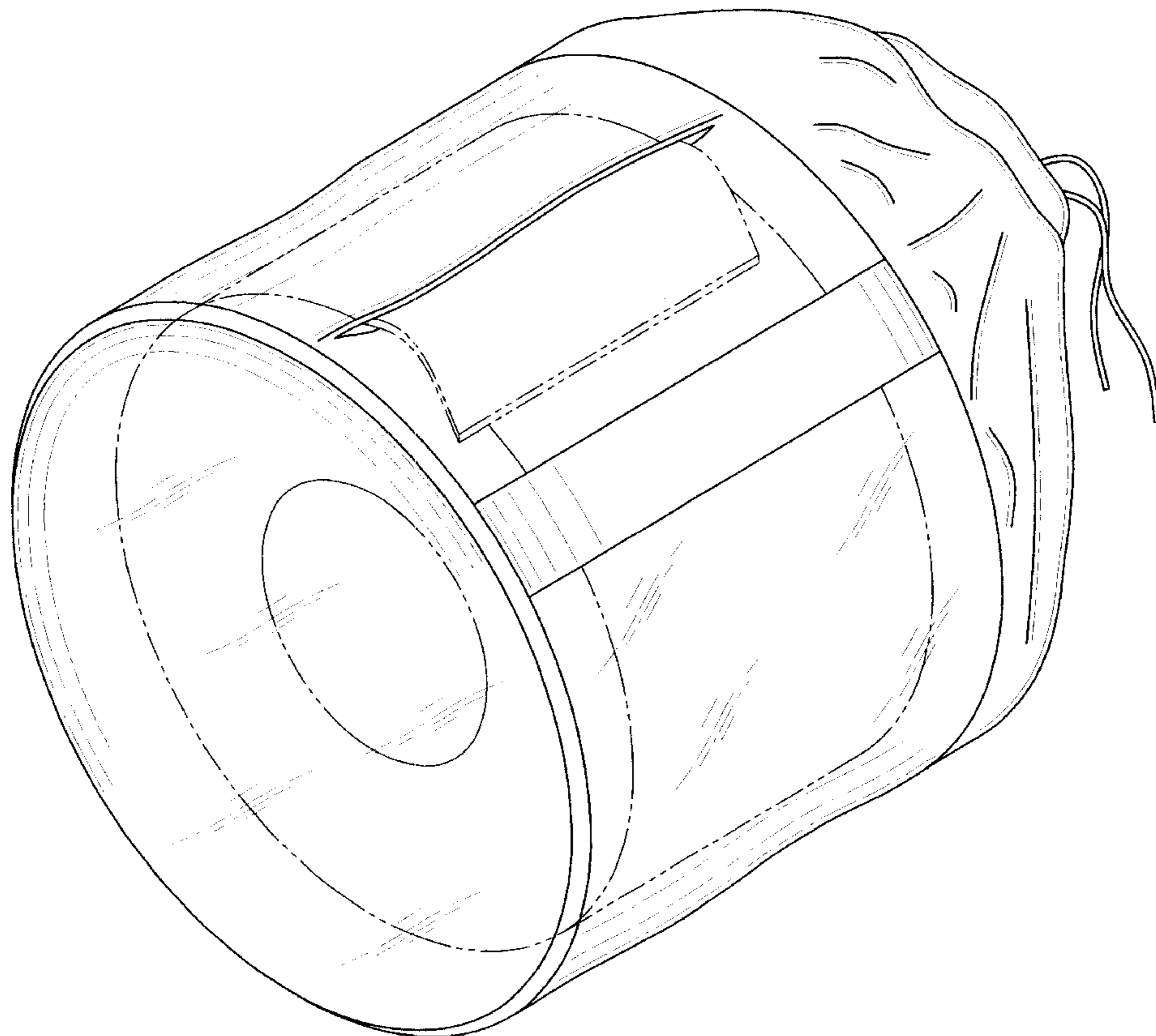
(57) **CLAIM**

The ornamental design for a toilet paper roll dispenser, as shown and described.

**DESCRIPTION**

FIG. 1 is a front side view of a toilet paper roll dispenser showing my novel design;  
FIG. 2 is a back side view thereof;  
FIG. 3 is a left side view thereof;  
FIG. 4 is a right side view thereof;  
FIG. 5 is a top plan view thereof;  
FIG. 6 is a bottom plan view thereof;  
FIG. 7 is a perspective view of a toilet paper roll dispenser thereof;  
FIG. 8 is a perspective view of a first alternate embodiment of a toilet paper roll dispenser thereof; and,  
FIG. 9 is a perspective view of a second alternate embodiment of a toilet paper roll dispenser of the present invention. The broken lines shown in FIGS. 7, 8, and 9 are for illustrative purposes only and forms no part of the overall claimed design.

**1 Claim, 6 Drawing Sheets**



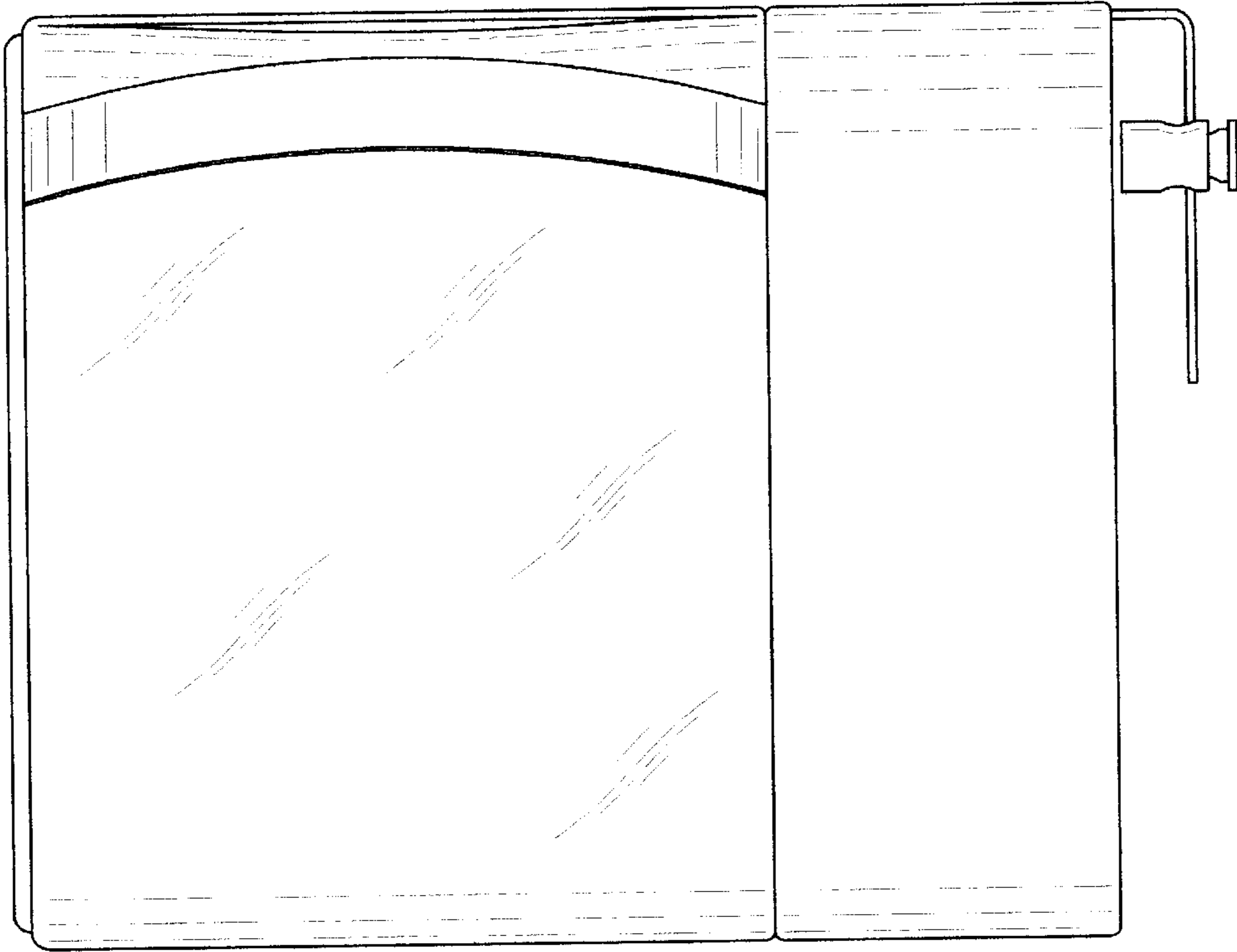


FIG. 1

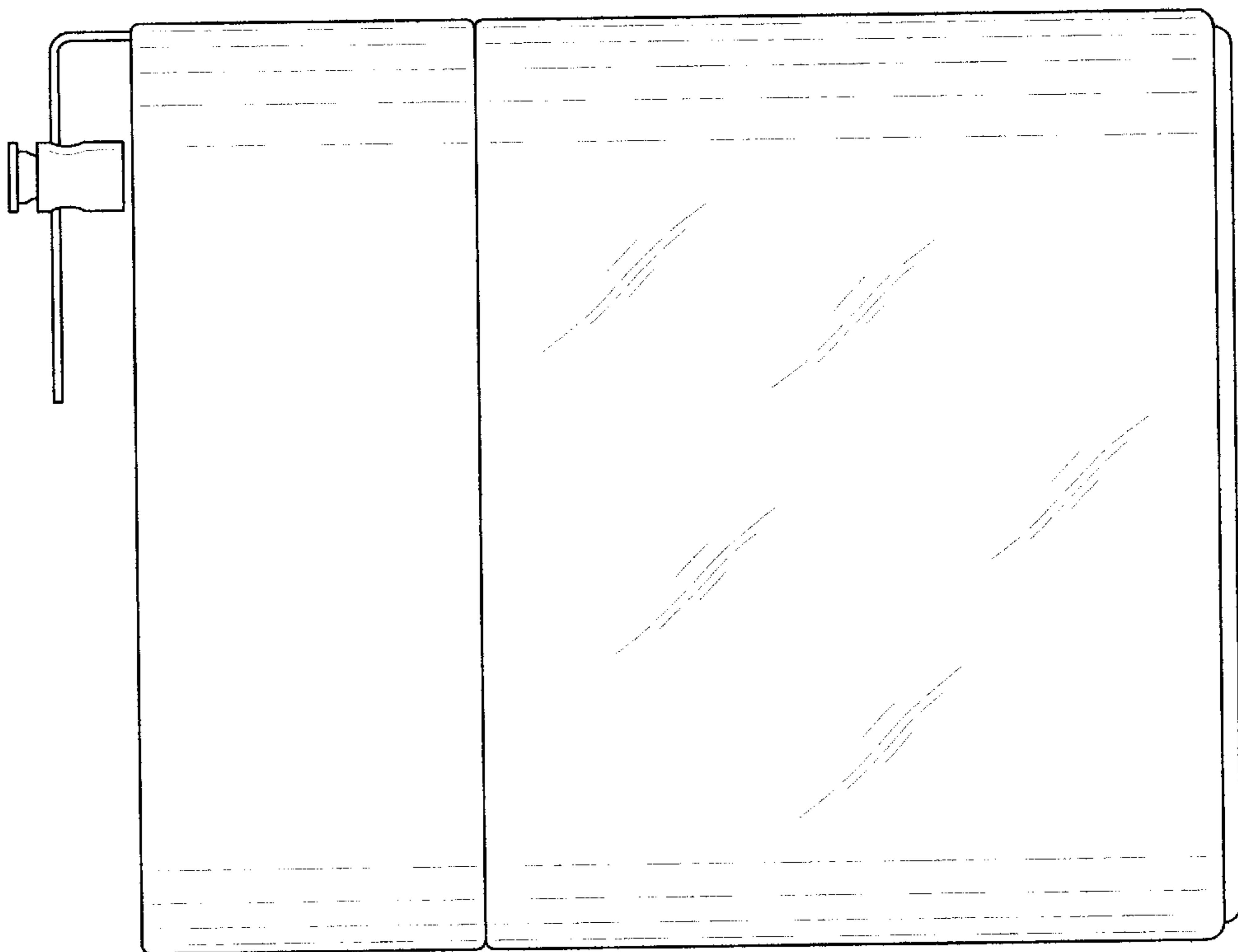
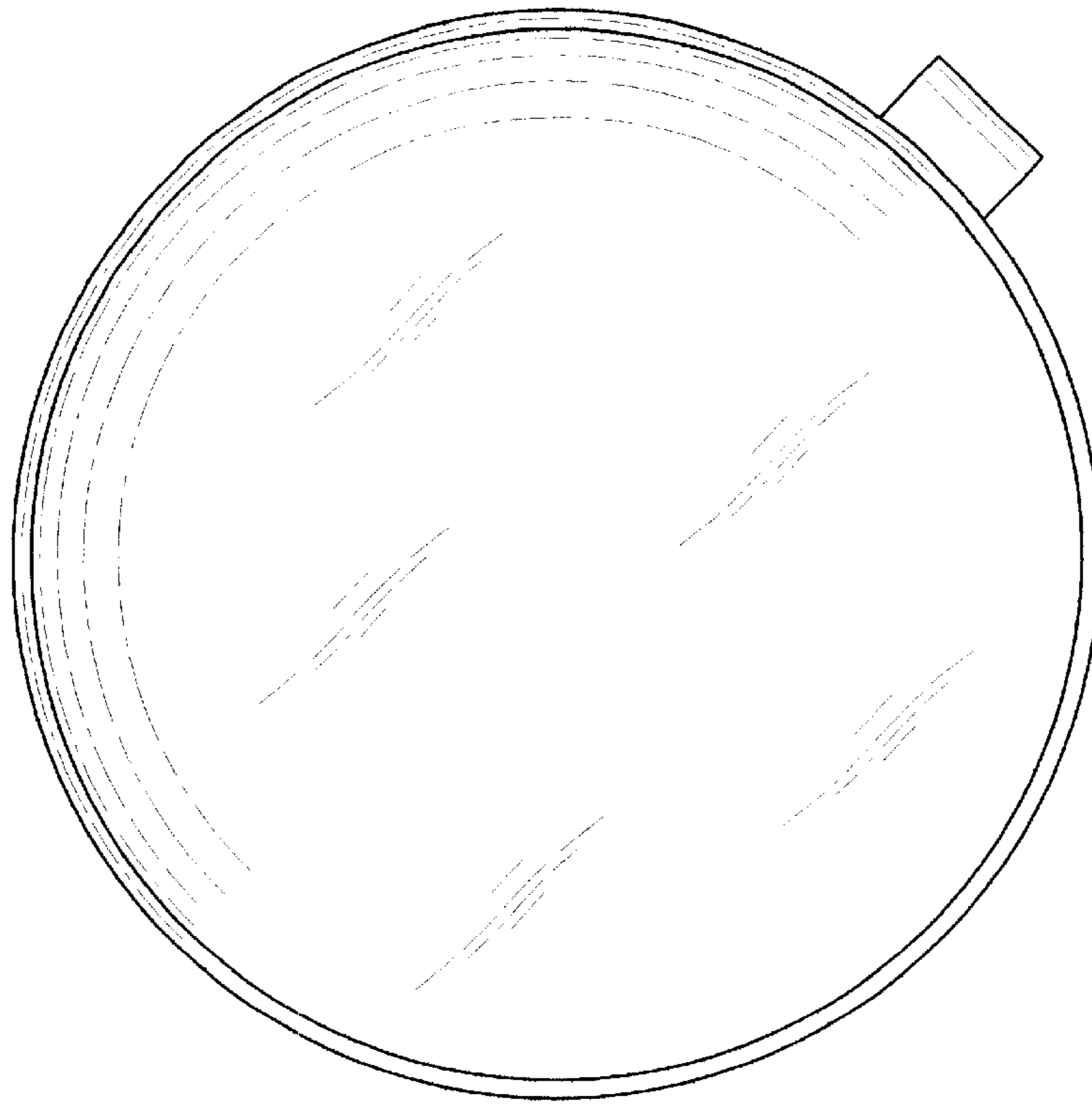
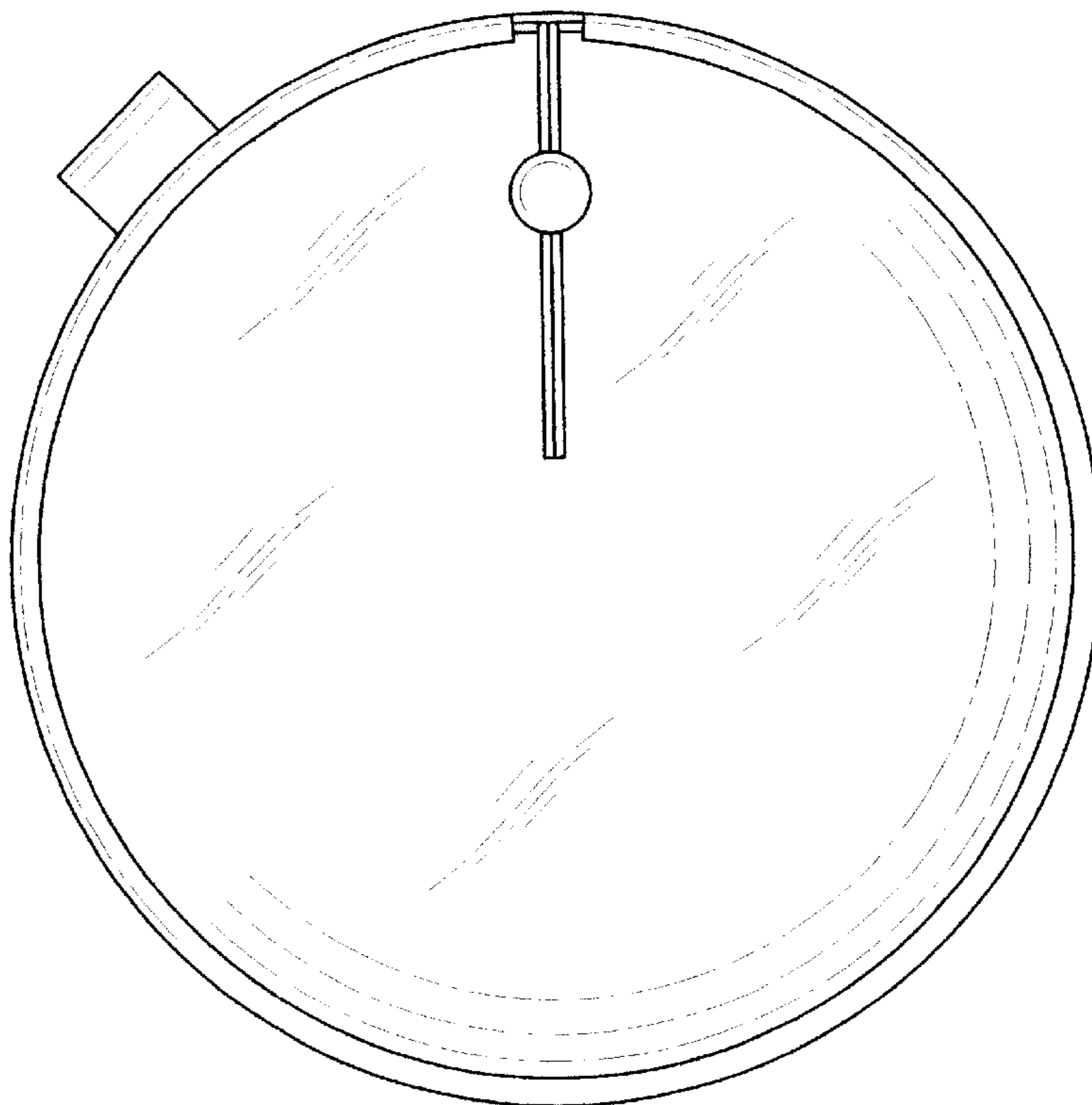


FIG. 2



**FIG. 3**



**FIG. 4**

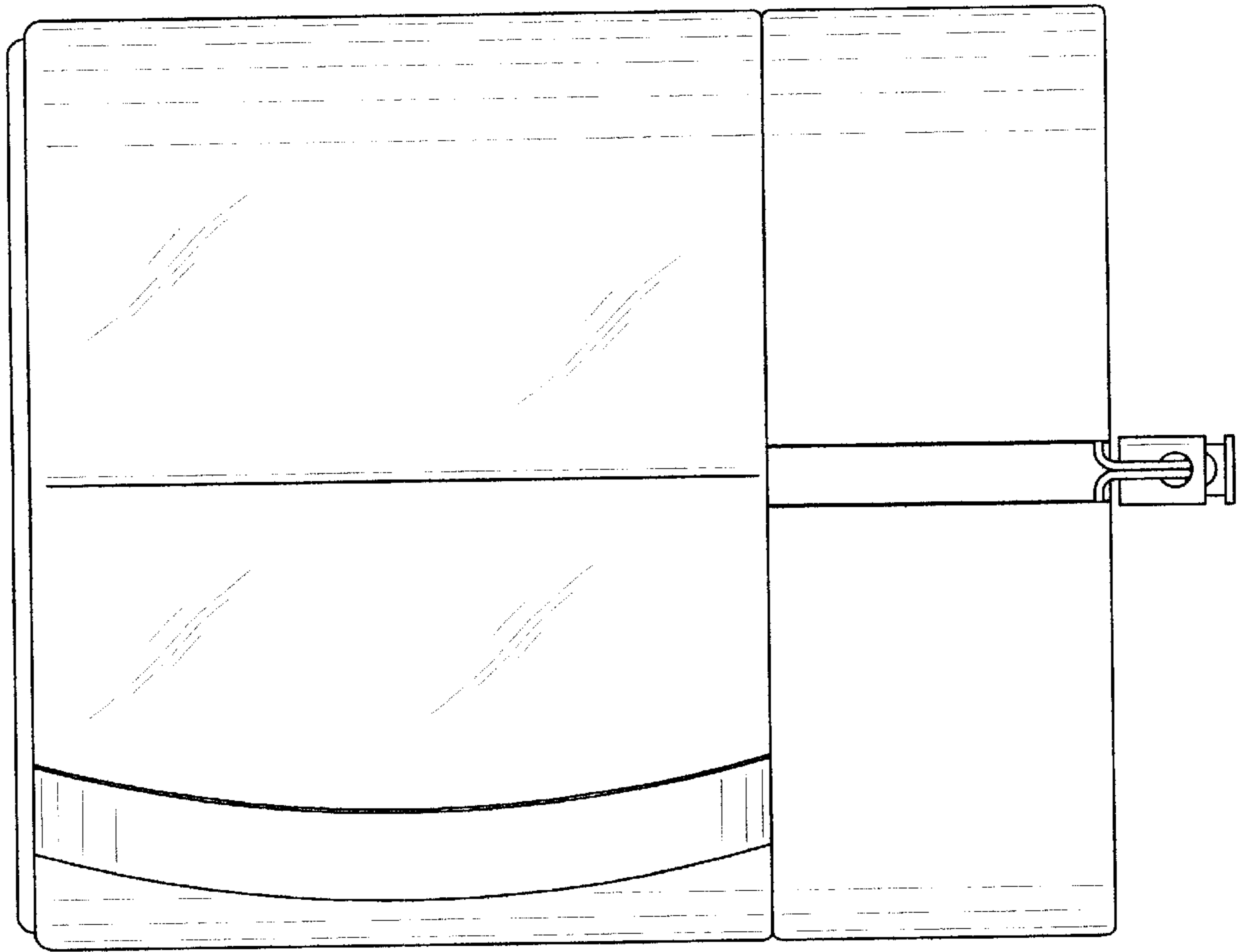


FIG. 5

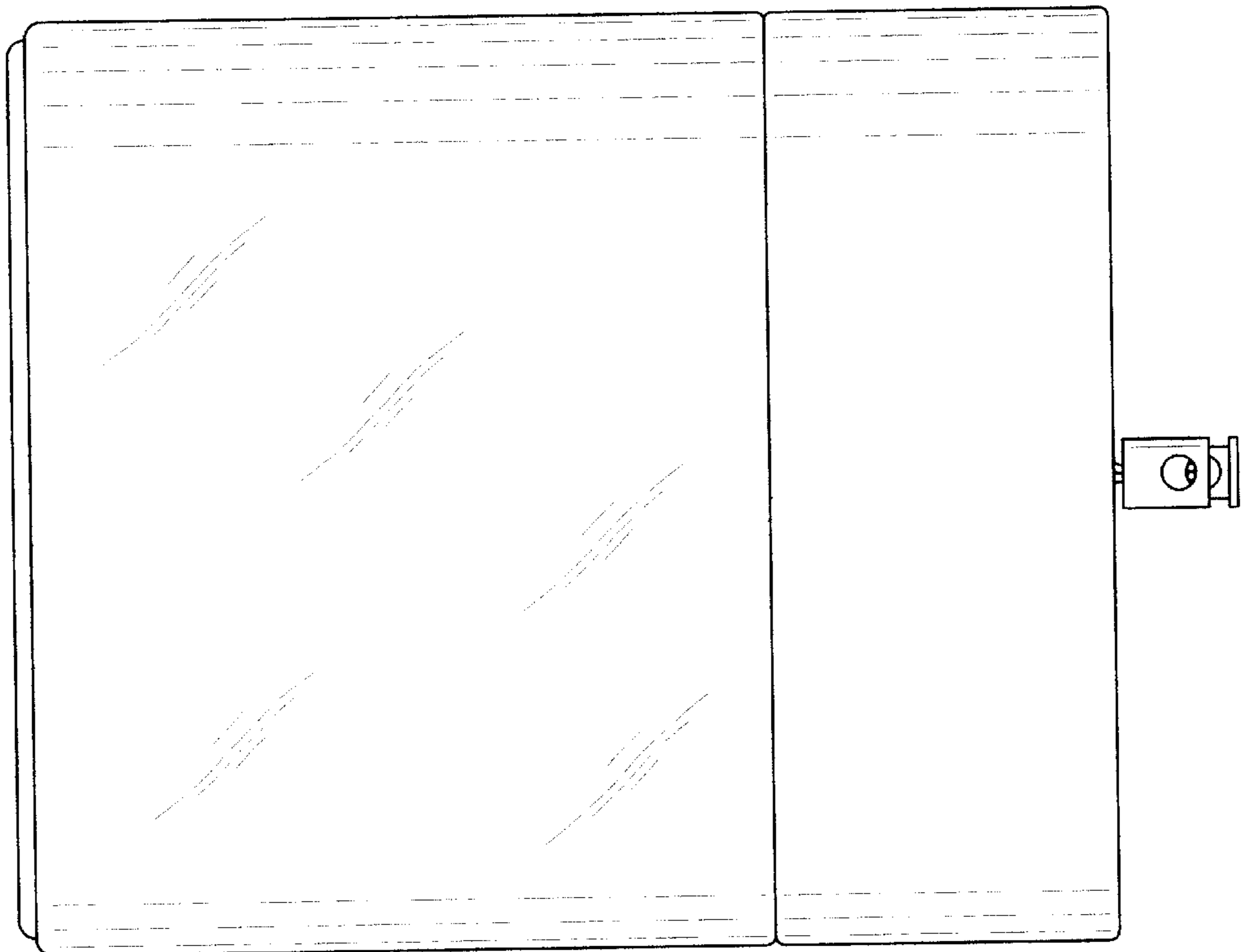


FIG. 6

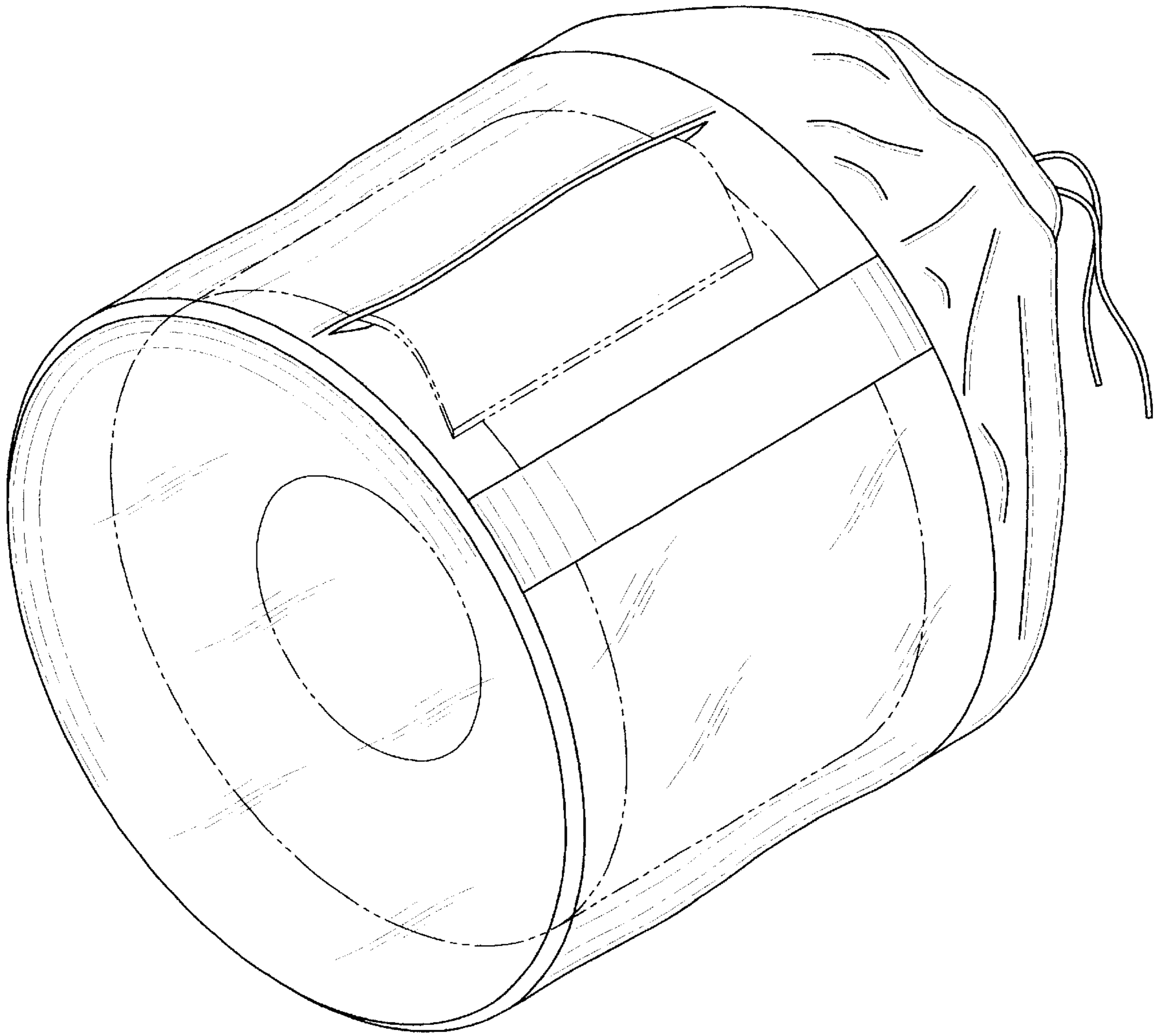


FIG. 7

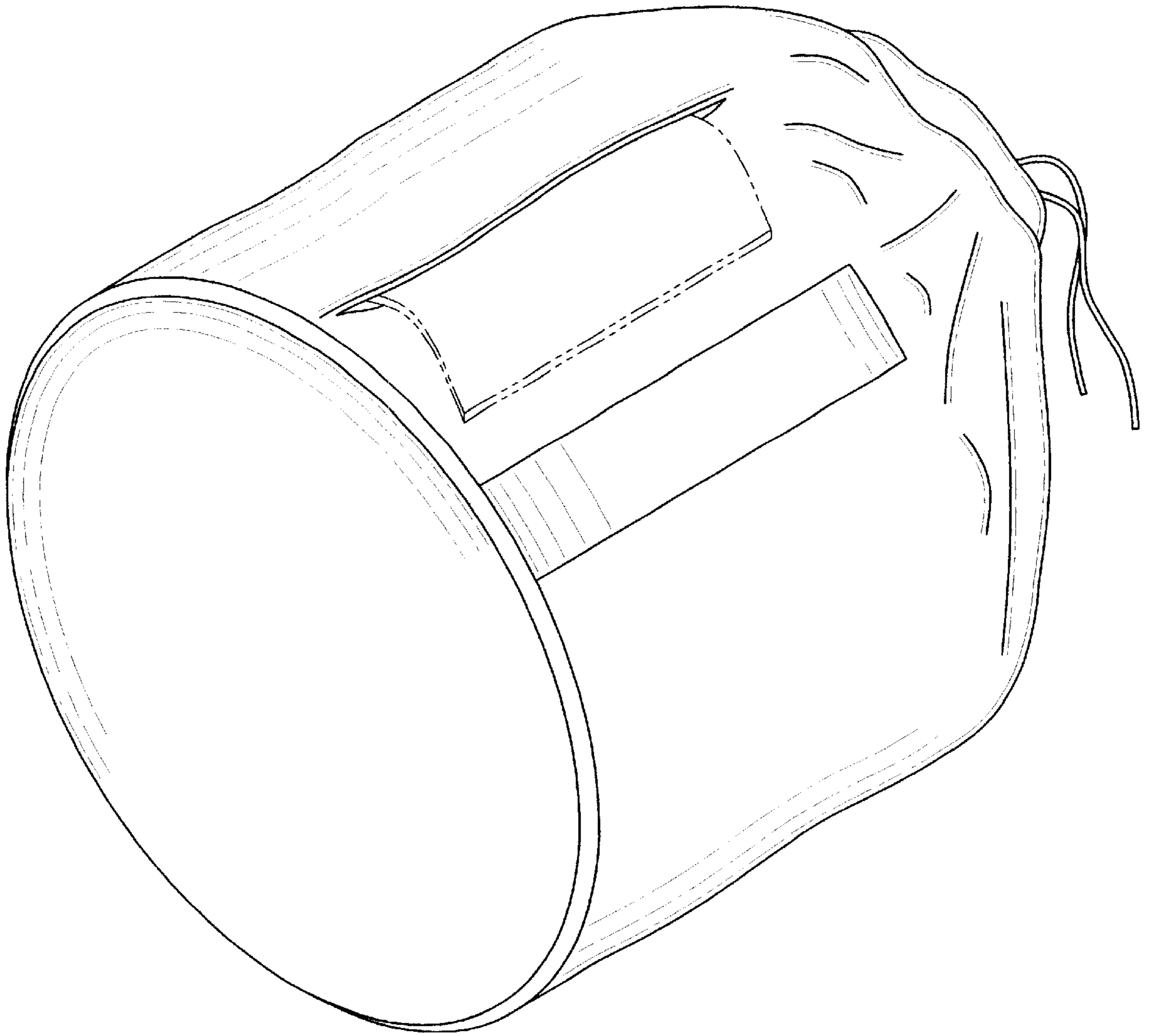


FIG. 8

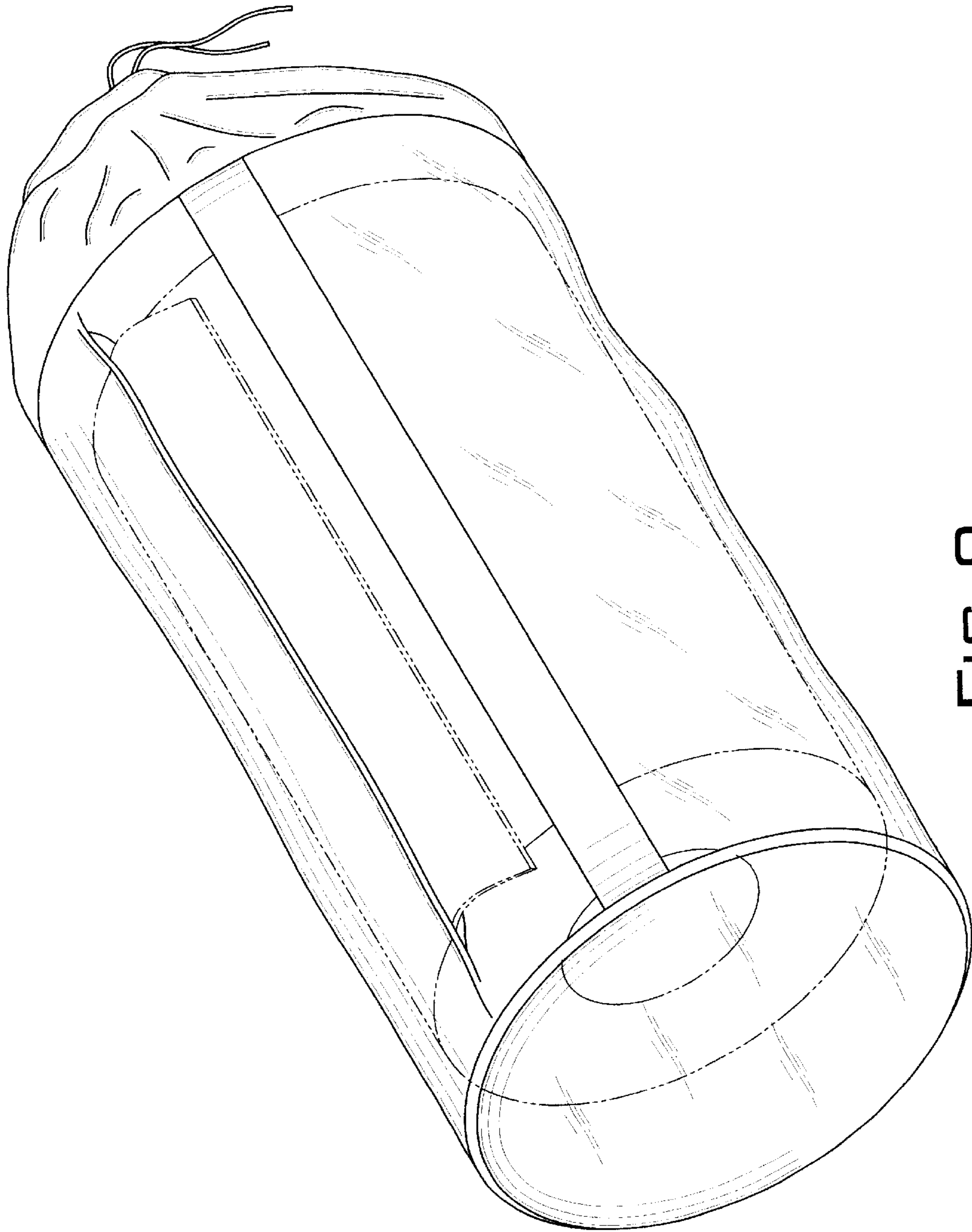


FIG. 9