



US00D460299S

(12) **United States Design Patent**
Lundsgaard

(10) **Patent No.:** **US D460,299 S**

(45) **Date of Patent:** **** Jul. 16, 2002**

(54) **CHAIR SEAT**

(76) **Inventor:** **Claus Chr. Lundsgaard**, Kongebakken
36, 1.sal, DK-4000 Roskilde (DK)

(**) **Term:** **14 Years**

(21) **Appl. No.:** **29/125,553**

(22) **Filed:** **Jun. 23, 2000**

(30) **Foreign Application Priority Data**

Dec. 23, 1999 (DK) 1999 01487

(51) **LOC (7) Cl.** **06-06**

(52) **U.S. Cl.** **D6/502**

(58) **Field of Search** D6/334, 335, 340,
D6/349, 351, 354, 355, 500-502; 297/156,
195.1, 195.11, 219.11, 311

(56) **References Cited**

U.S. PATENT DOCUMENTS

- 619,204 A * 2/1899 Moore 297/311
- 969,347 A * 9/1910 Davis 297/311
- 2,872,966 A * 2/1959 Chamness 297/311
- D286,346 S * 10/1986 Woods D6/502
- D308,439 S * 6/1990 Van Winkle D6/335
- D375,425 S * 11/1996 Gale D6/502

FOREIGN PATENT DOCUMENTS

DK MA1984 1003 11/1984

* cited by examiner

Primary Examiner—Doris V. Coles

Assistant Examiner—Mimosa De

(74) *Attorney, Agent, or Firm*—Venable; John P. Shannon;
Chad C. Anderson

(57) **CLAIM**

The ornamental design for a chair seat, as shown and described.

DESCRIPTION

FIG. 1 is a perspective view taken from the bottom, rear and left side of the chair seat showing my design;
 FIG. 2 is a perspective view of the chair seat of FIG. 1 taken from the top, front and right side;
 FIG. 3 is a bottom plan view of the chair seat of FIG. 1;
 FIG. 4 is a right side elevation of the chair seat of FIG. 1; and,
 FIG. 5 is a rear elevation of the chair seat of FIG. 1.
 The left side elevation is a mirror image of the right side elevation.

1 Claim, 3 Drawing Sheets

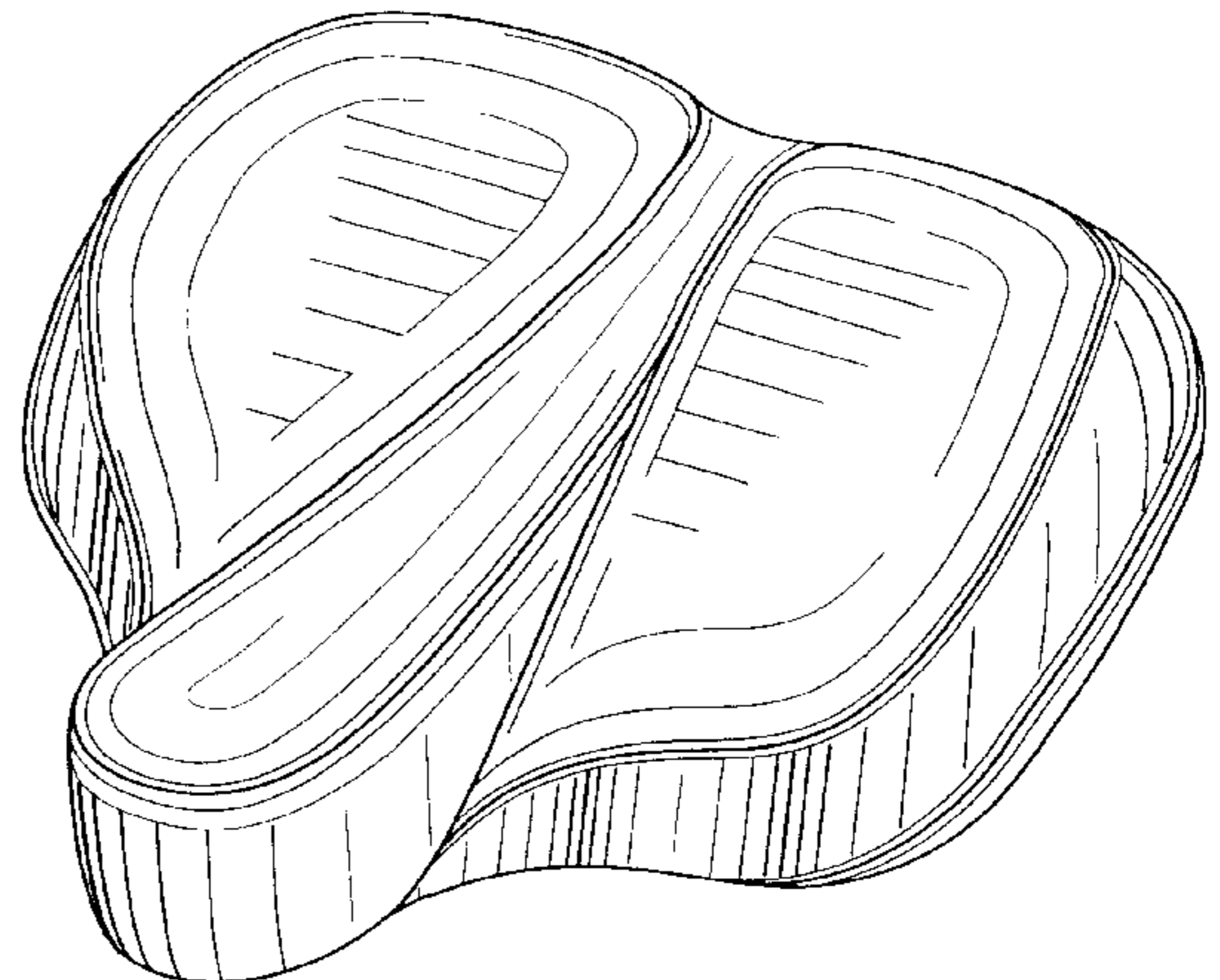
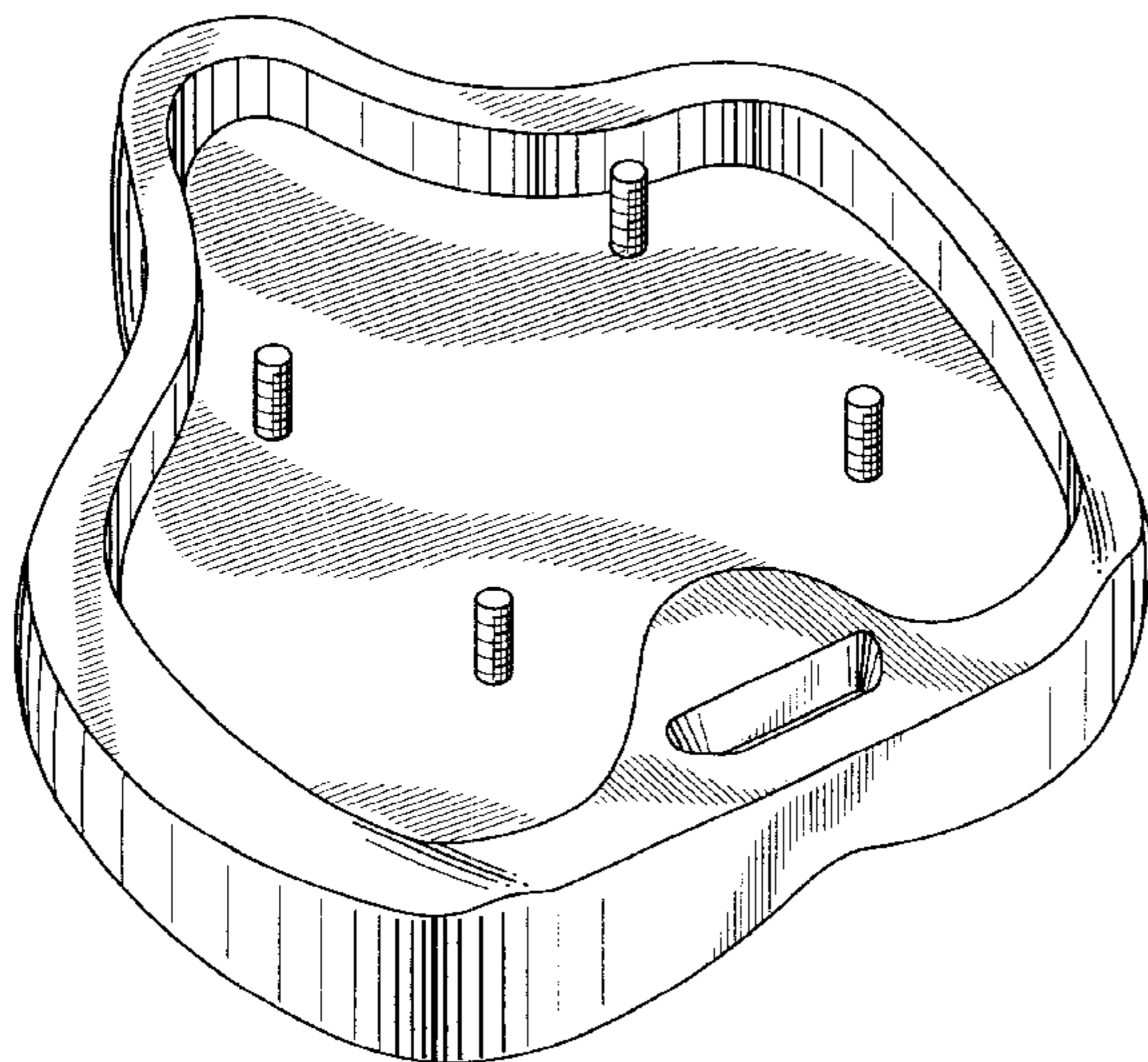


FIG. 1

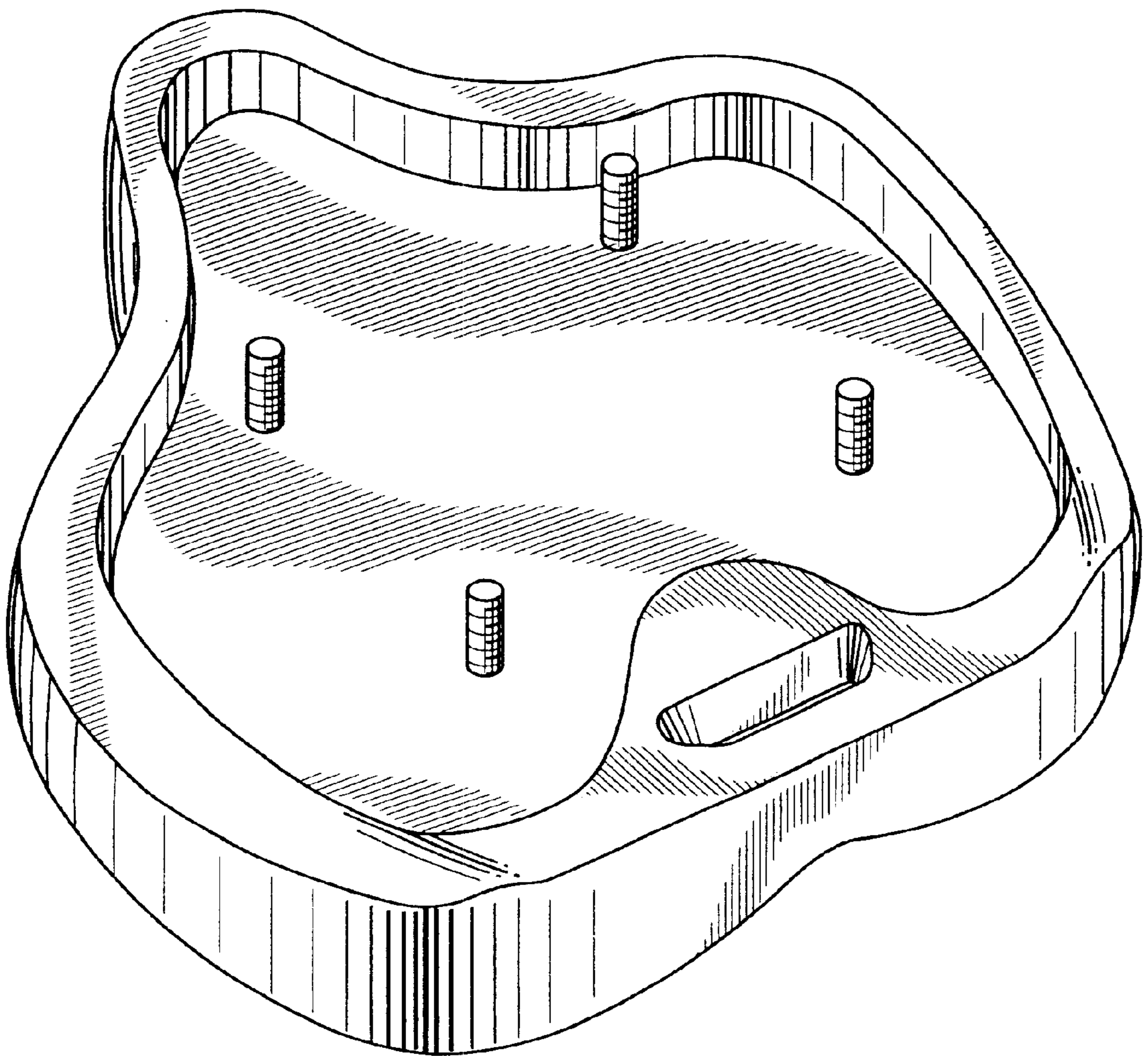


FIG. 2

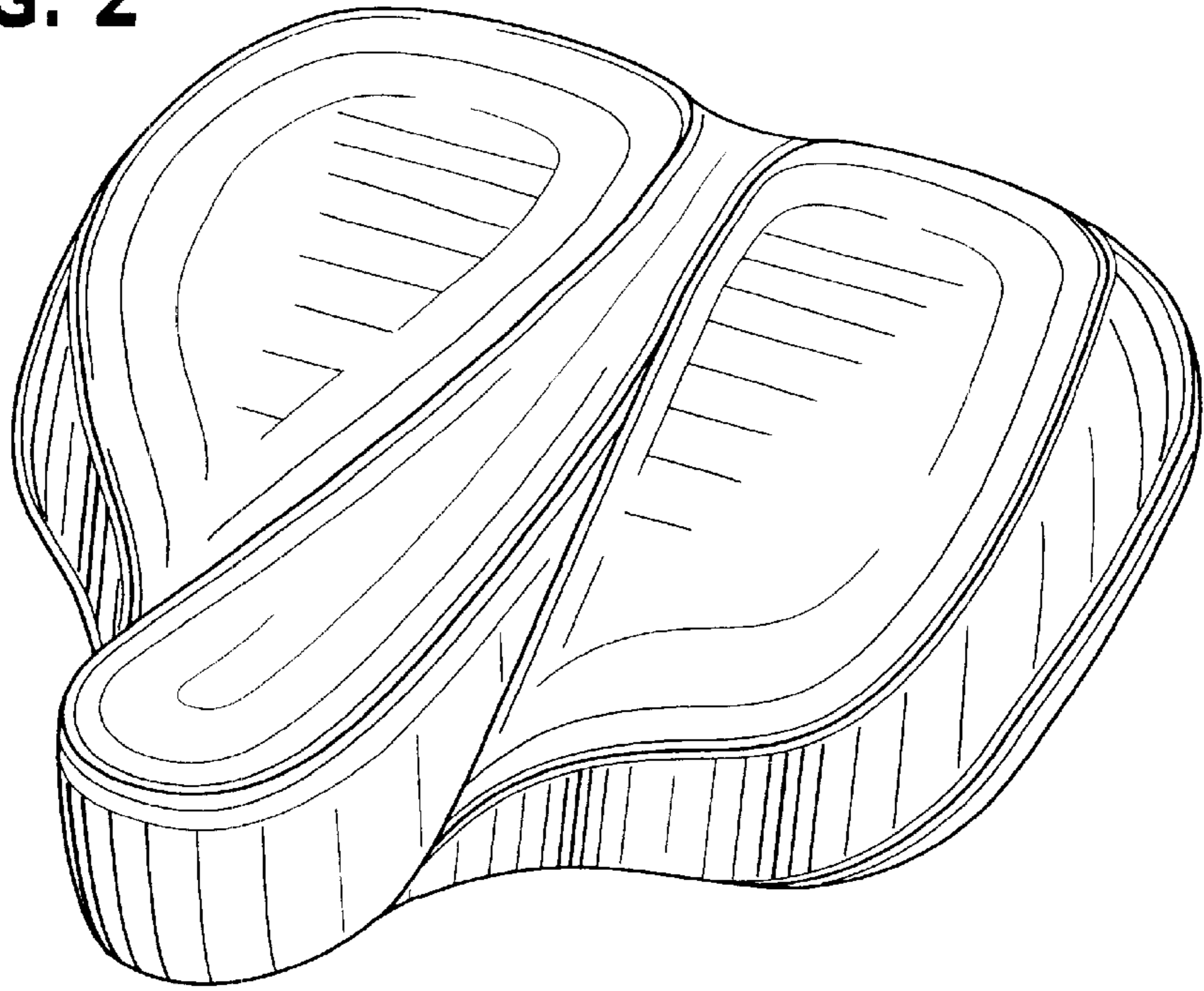


FIG. 3

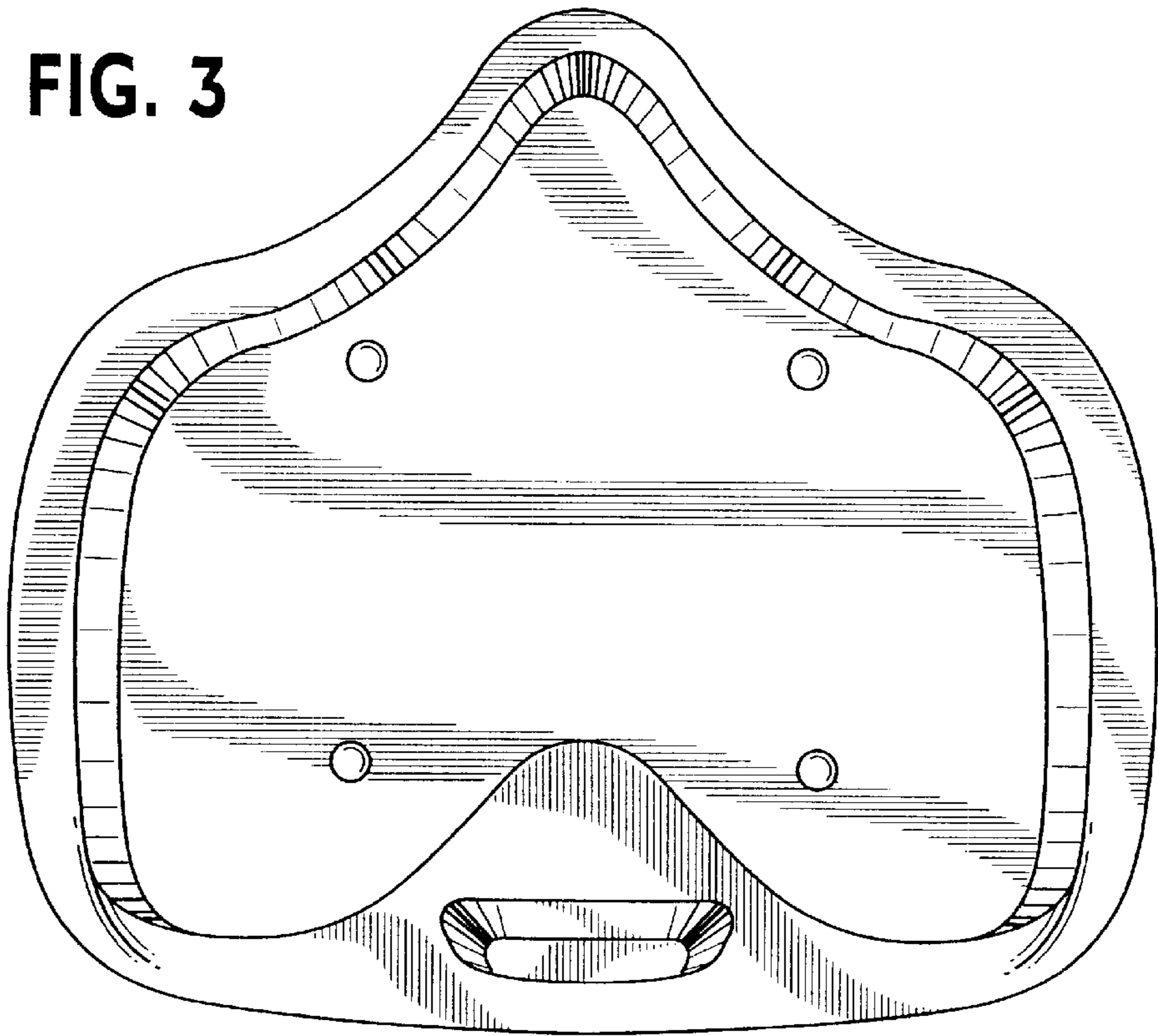


FIG. 4

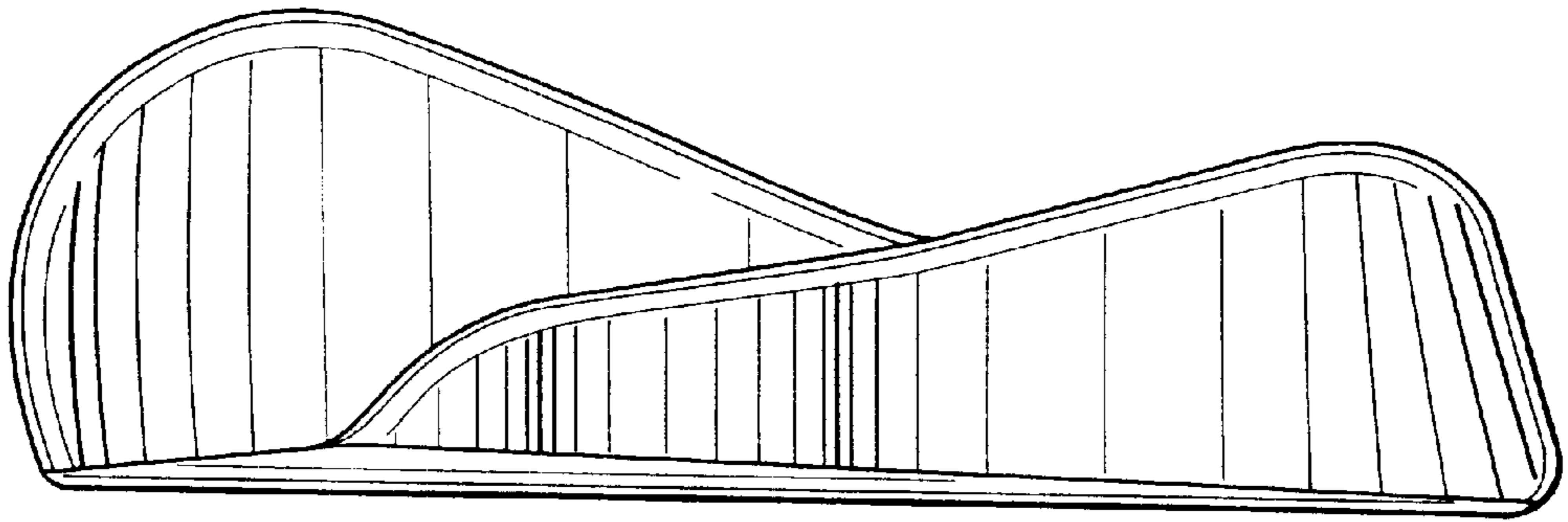


FIG. 5

