



US00D460298S

(12) **United States Design Patent**
Muggleton

(10) **Patent No.:** **US D460,298 S**

(45) **Date of Patent:** **** Jul. 16, 2002**

(54) **ARCHED FURNITURE**

(75) **Inventor:** **Andrew G. Muggleton**, 165 Commerce St., Unit B, Broomfield, CO (US) 80020

(73) **Assignee:** **Andrew G. Muggleton**, Denver, CO (US)

(**) **Term:** **14 Years**

(21) **Appl. No.:** **29/148,617**

(22) **Filed:** **Sep. 24, 2001**

(51) **LOC (7) Cl.** **06-06**

(52) **U.S. Cl.** **D6/495**

(58) **Field of Search** D6/480-489, 495-499; 108/150, 151, 153.1, 156, 157.1, 161; 248/188, 188.1

(56) **References Cited**

U.S. PATENT DOCUMENTS

2,582,243	A	*	1/1952	Eide	108/155
D197,722	S	*	3/1964	Crawford	D6/482
D259,579	S	*	6/1981	Kaye	D6/480 X
D342,847	S	*	1/1994	Armstrong	D6/480
5,353,717	A	*	10/1994	Taylor	108/157

* cited by examiner

Primary Examiner—Janice E. Seeger

(57) **CLAIM**

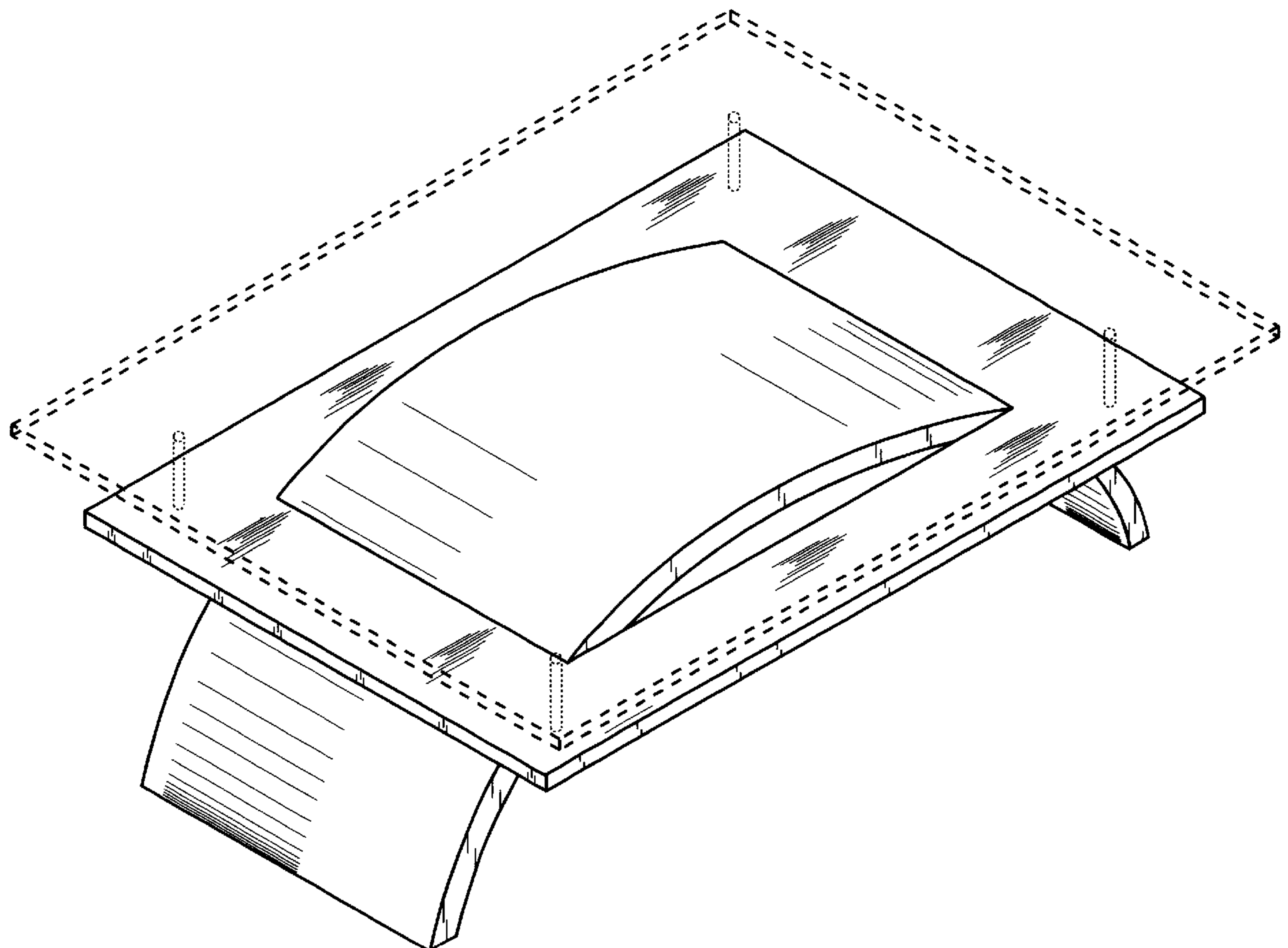
The ornamental design for arched furniture, as shown and described.

DESCRIPTION

FIG. 1 is a perspective view of arched furniture;
 FIG. 2 is a top plan view thereof;
 FIG. 3 is a bottom plan view thereof;
 FIG. 4 is a front elevation view thereof;
 FIG. 5 is a back elevation view thereof;
 FIG. 6 is a left side elevation view thereof;
 FIG. 7 is a right side elevation view thereof;
 FIG. 8 is a perspective view of a second embodiment of arched furniture;
 FIG. 9 is a top plan view thereof;
 FIG. 10 is a bottom plan view thereof;
 FIG. 11 is a front elevation view thereof;
 FIG. 12 is a back elevation view thereof;
 FIG. 13 is a left side elevation view thereof; and,
 FIG. 14 is a right side elevation view thereof.

The broken lines are for environmental purposes only and form no part of the claimed design.

1 Claim, 8 Drawing Sheets



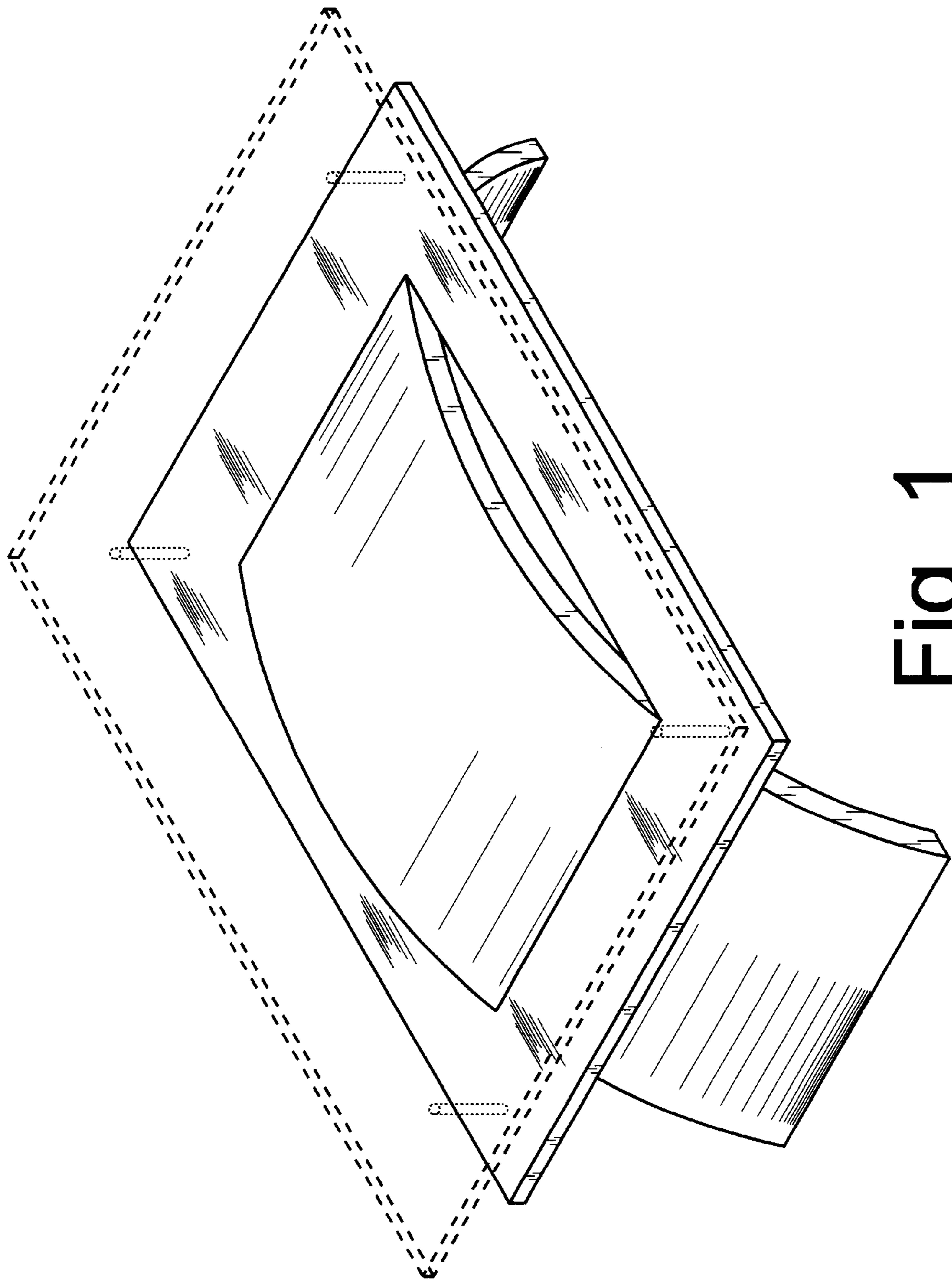


Fig. 1

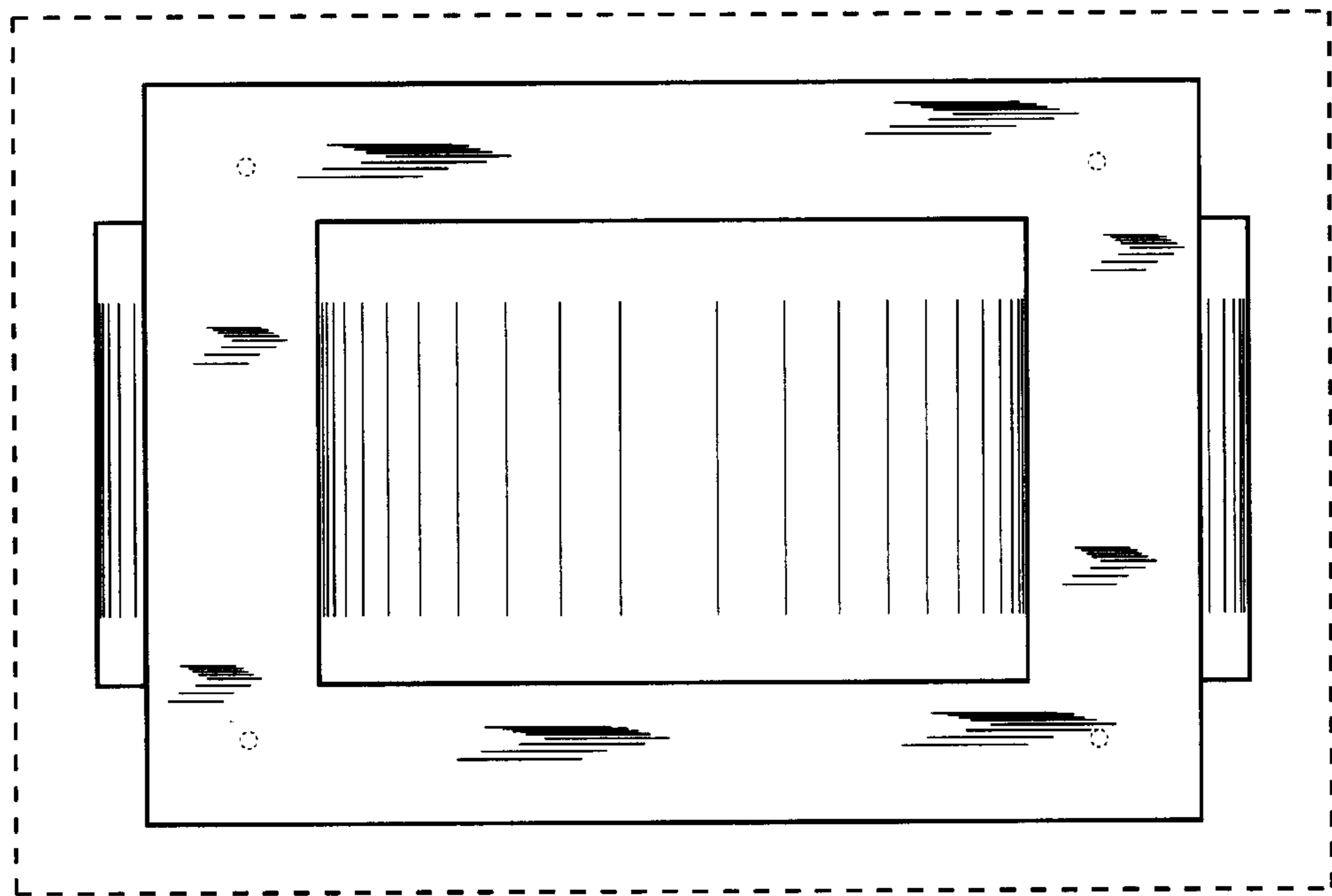


Fig. 2

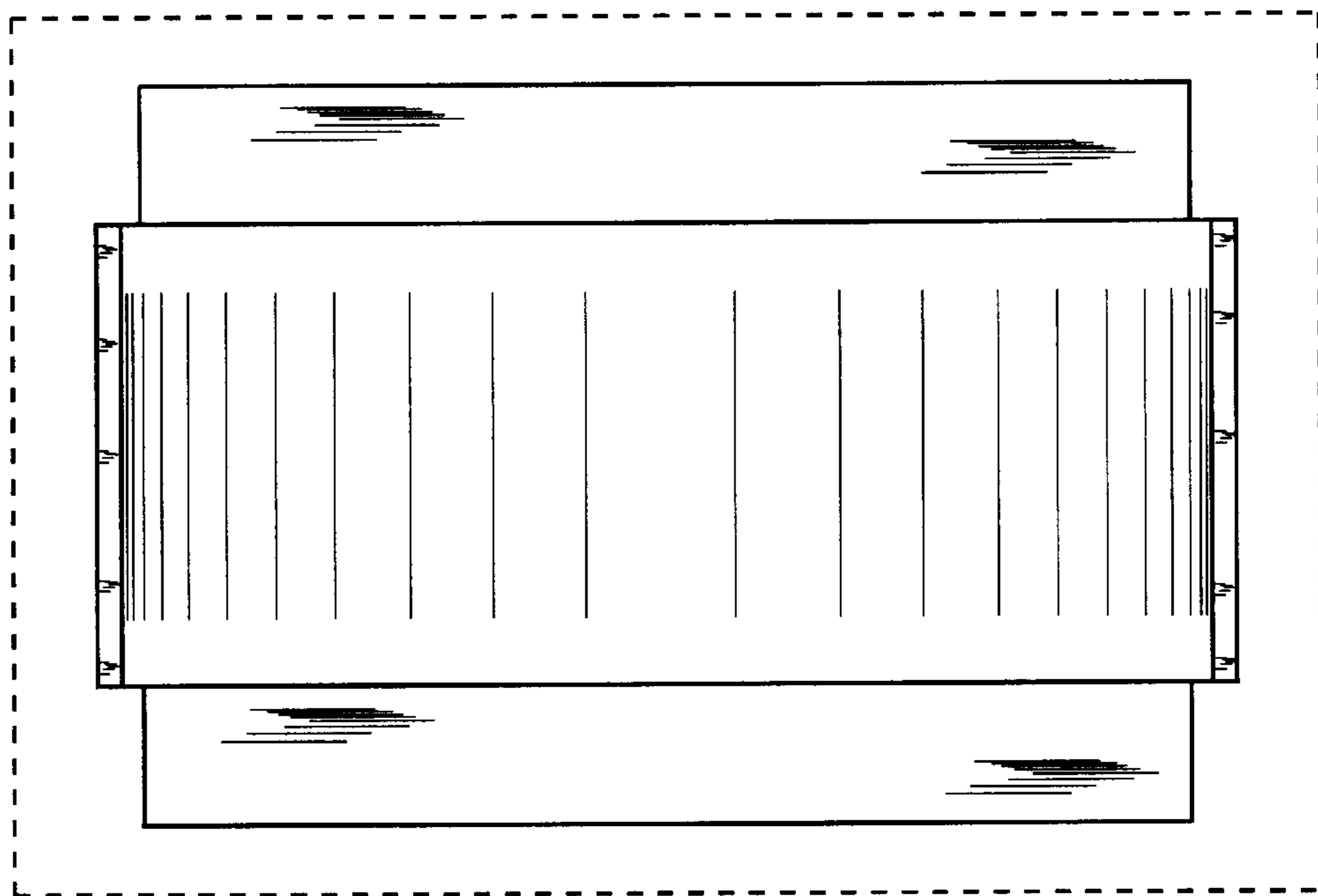


Fig. 3

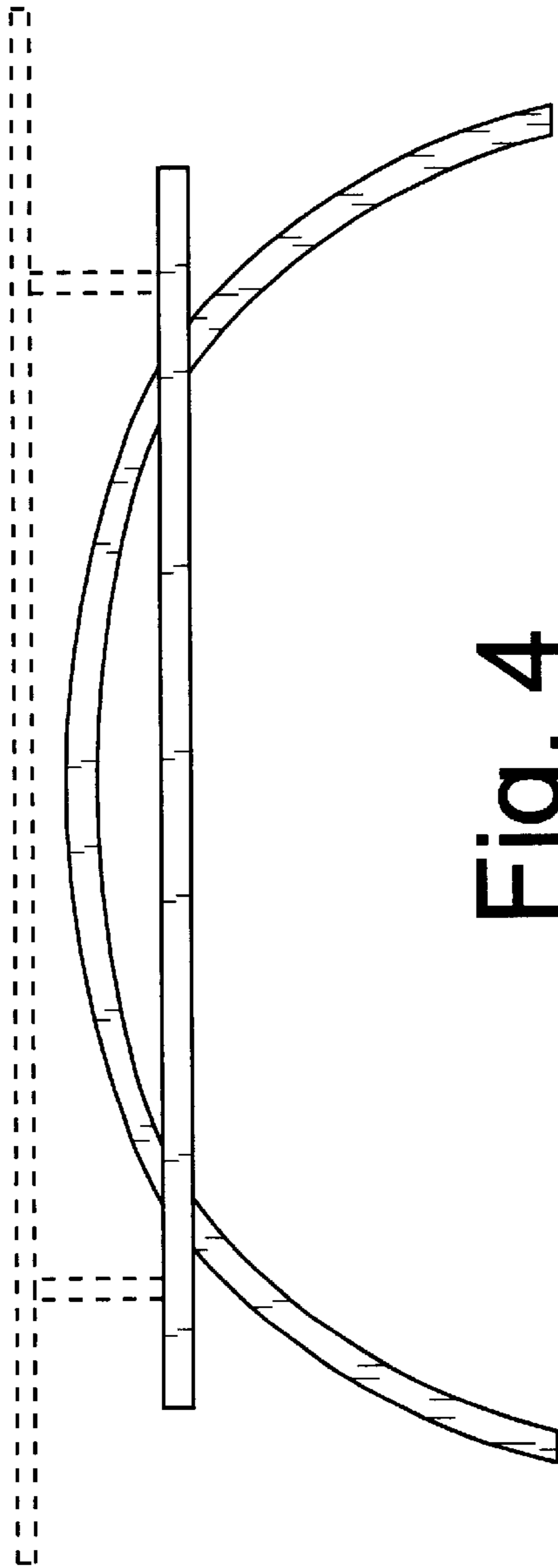


Fig. 4

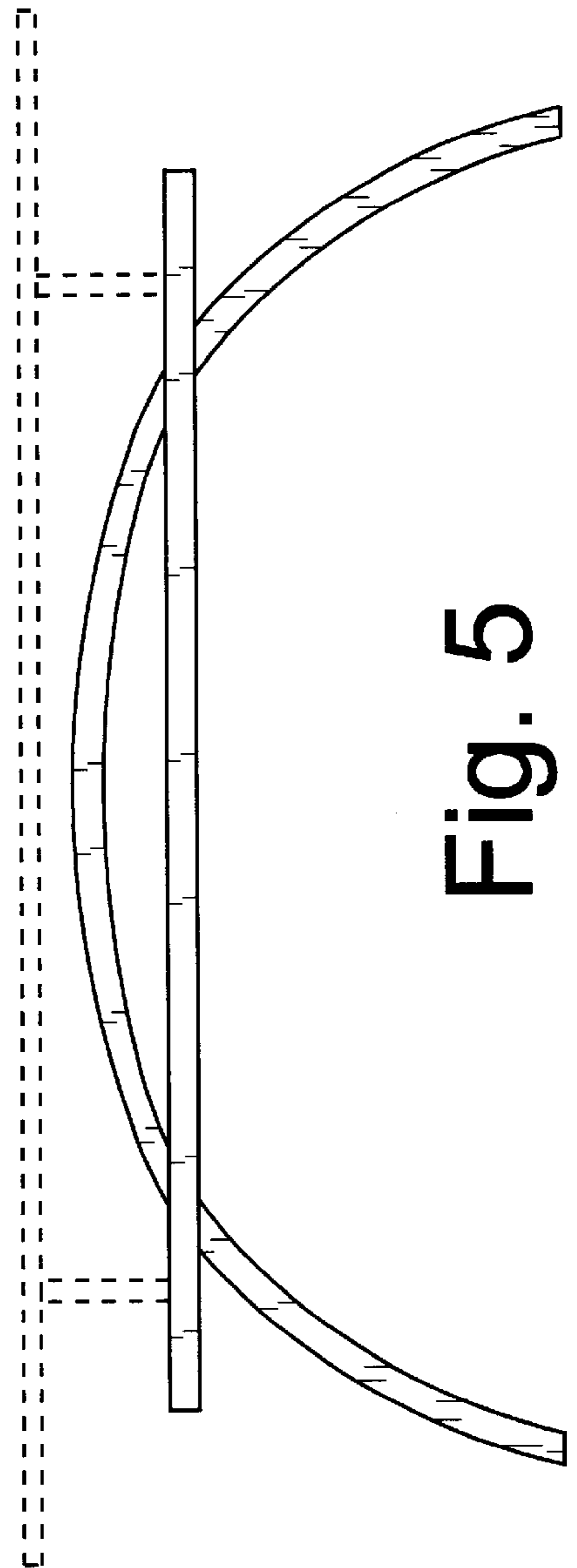


Fig. 5

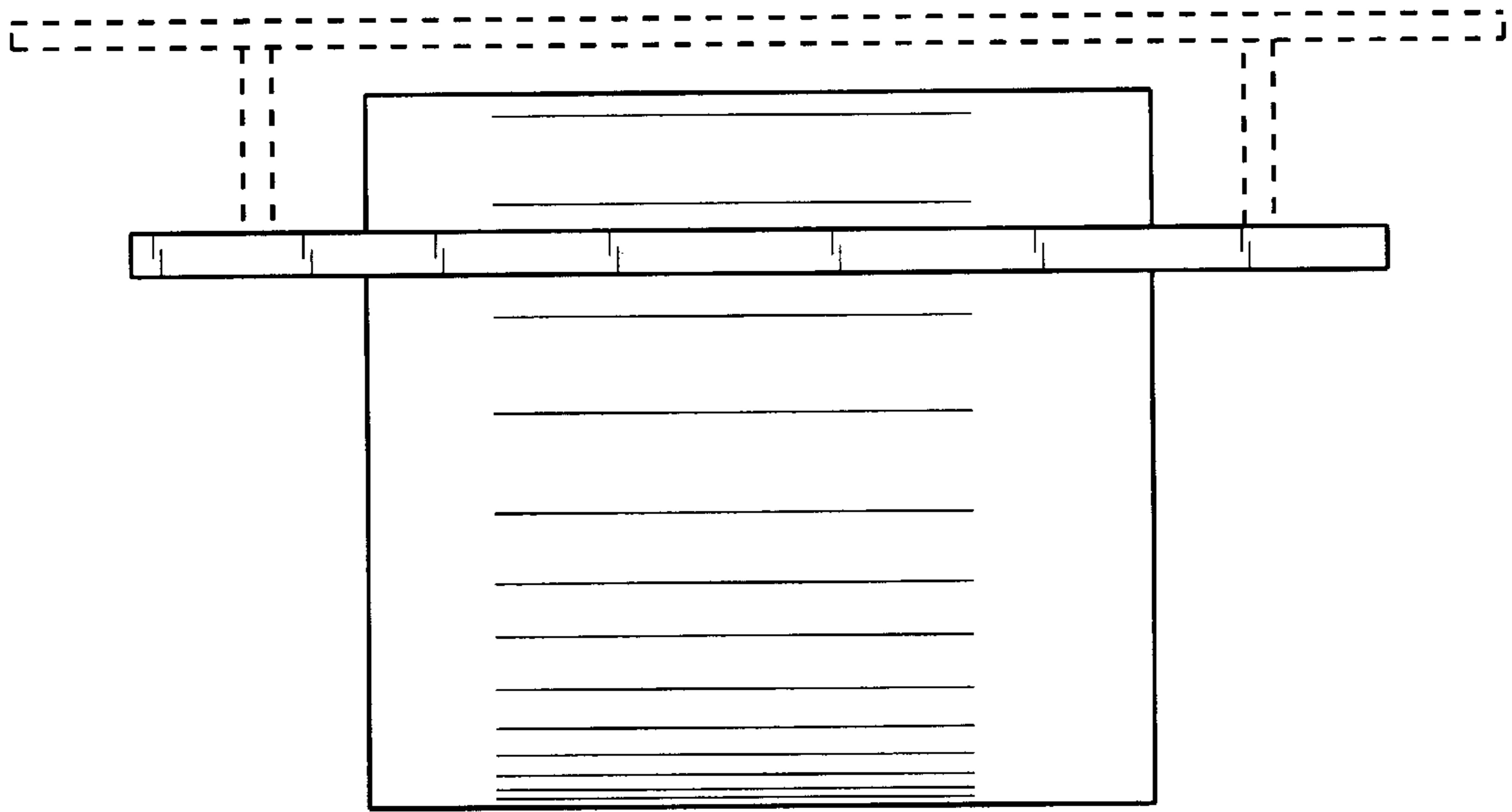


Fig. 6

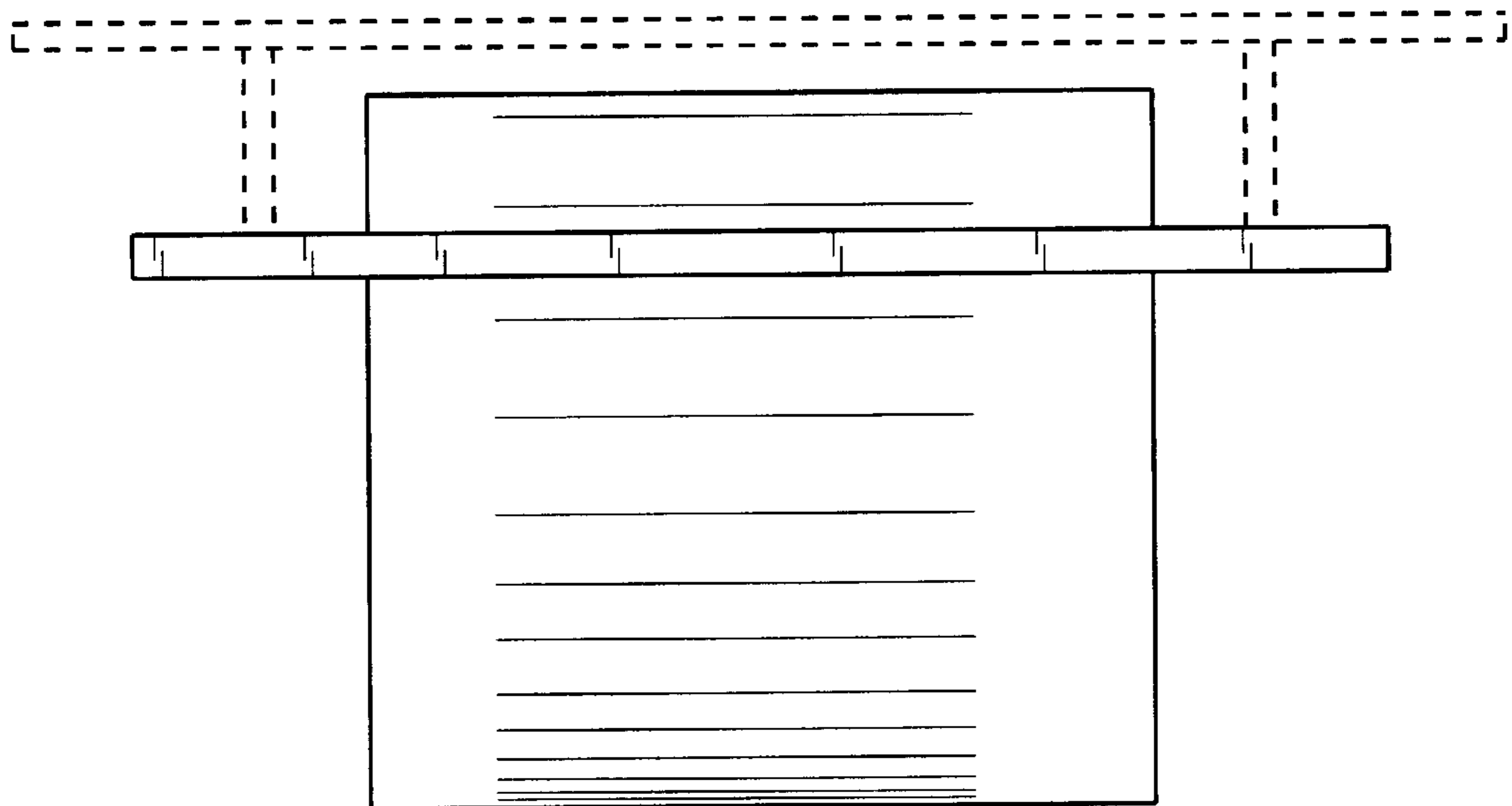


Fig. 7

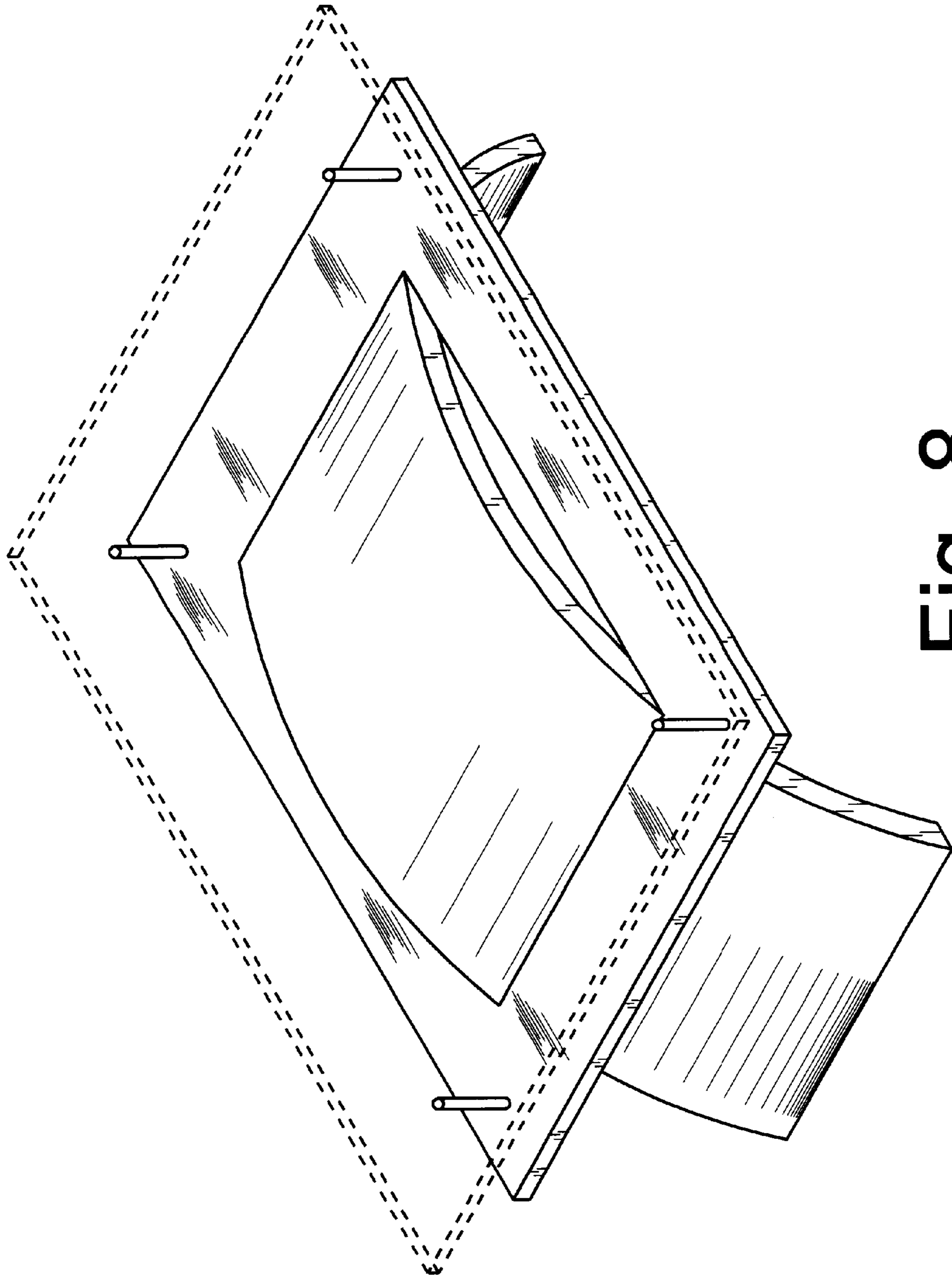


Fig. 8

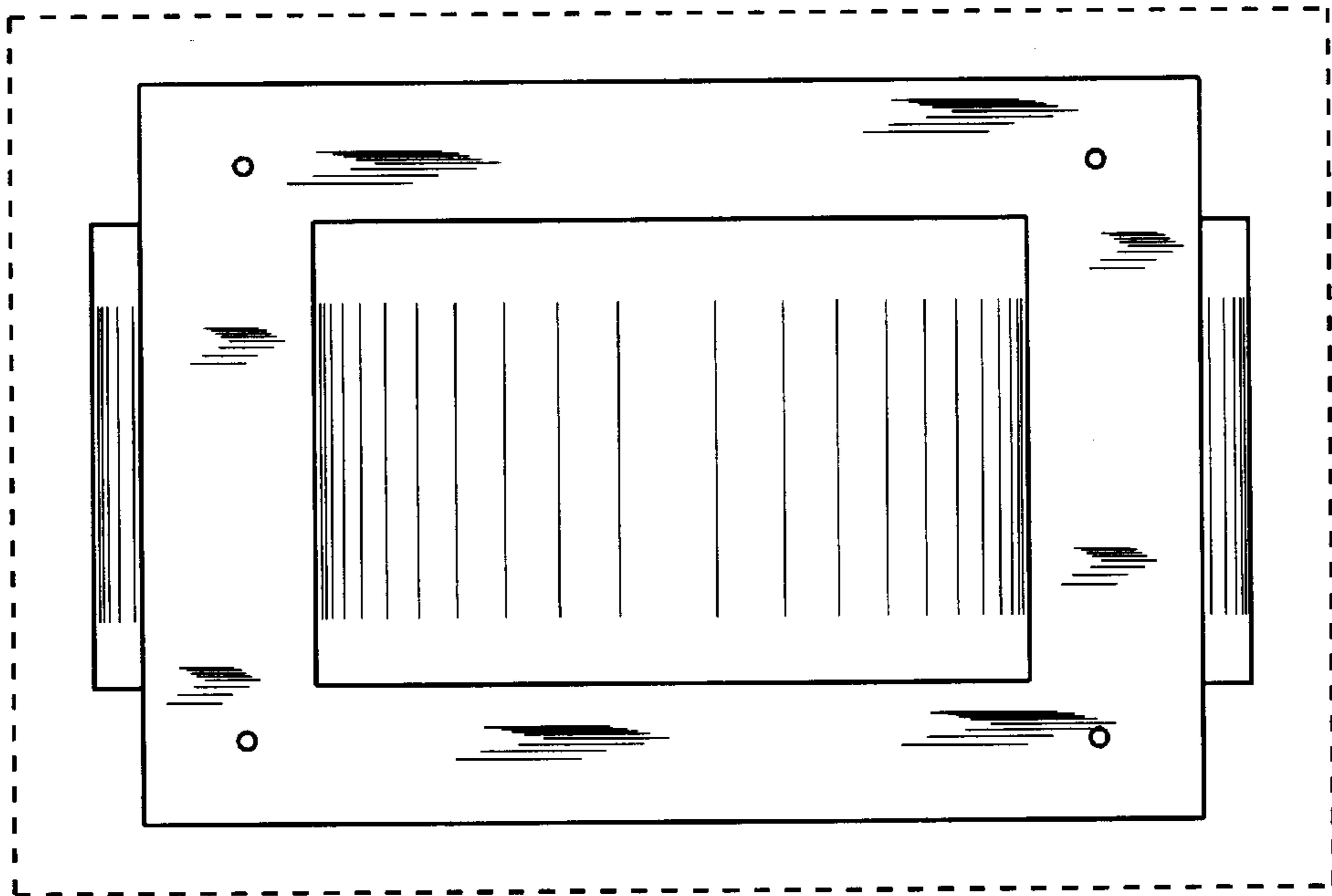


Fig. 9

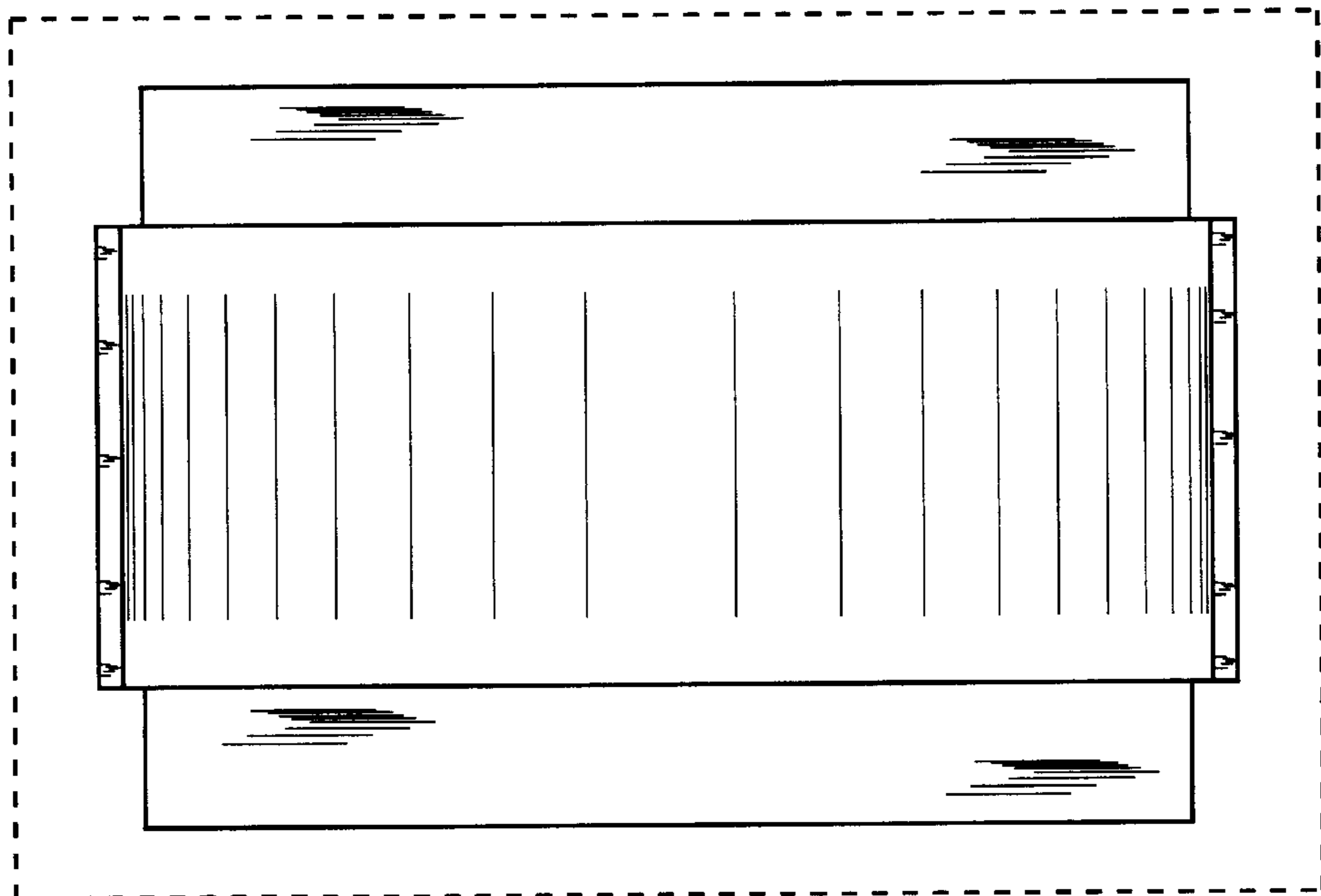


Fig. 10

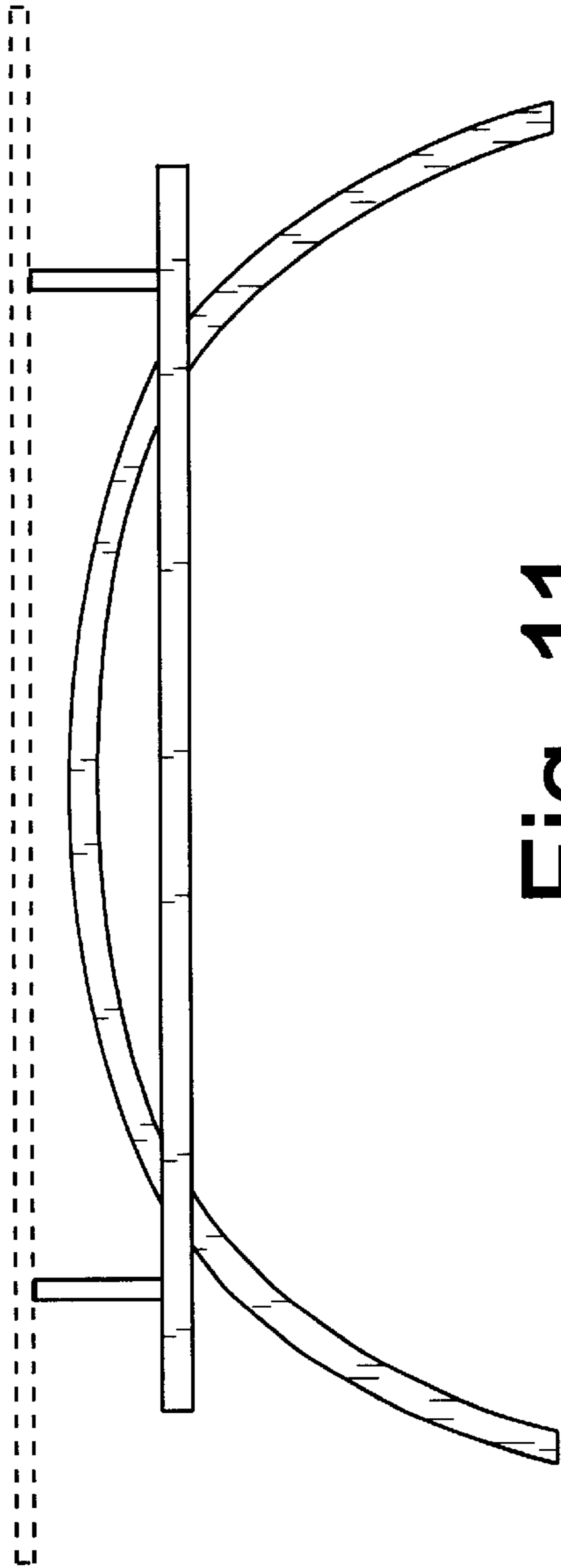


Fig. 11

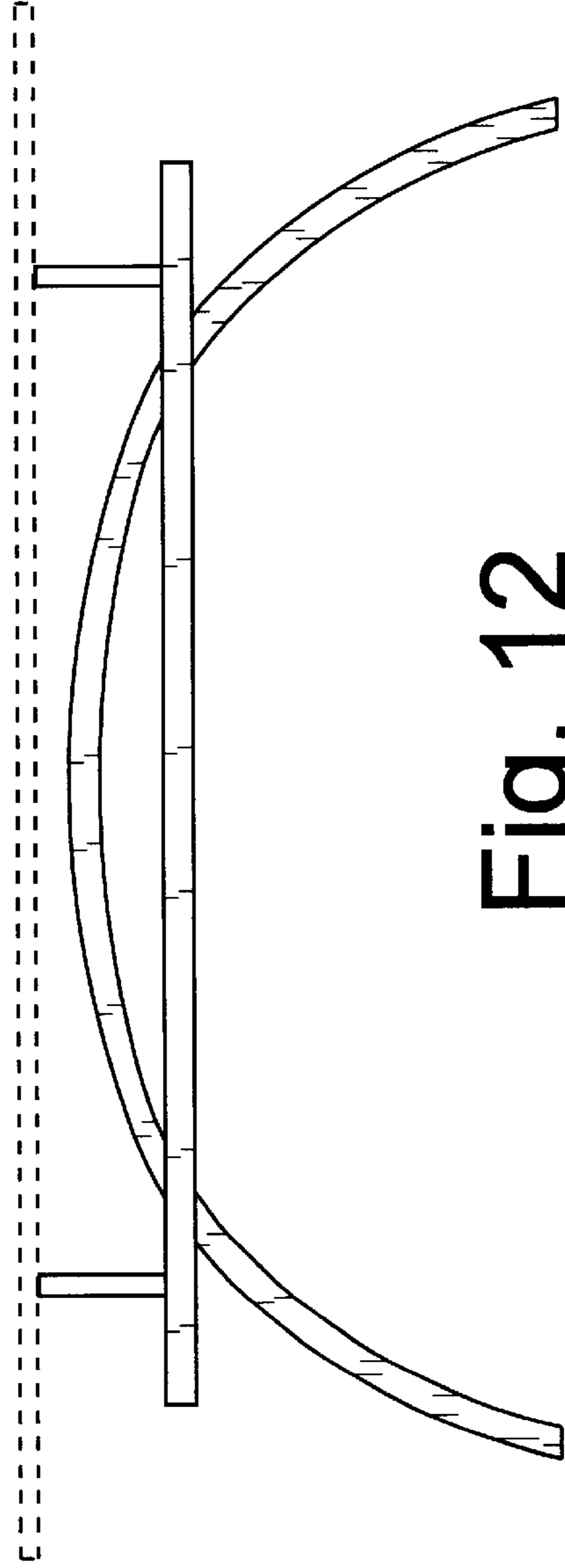


Fig. 12

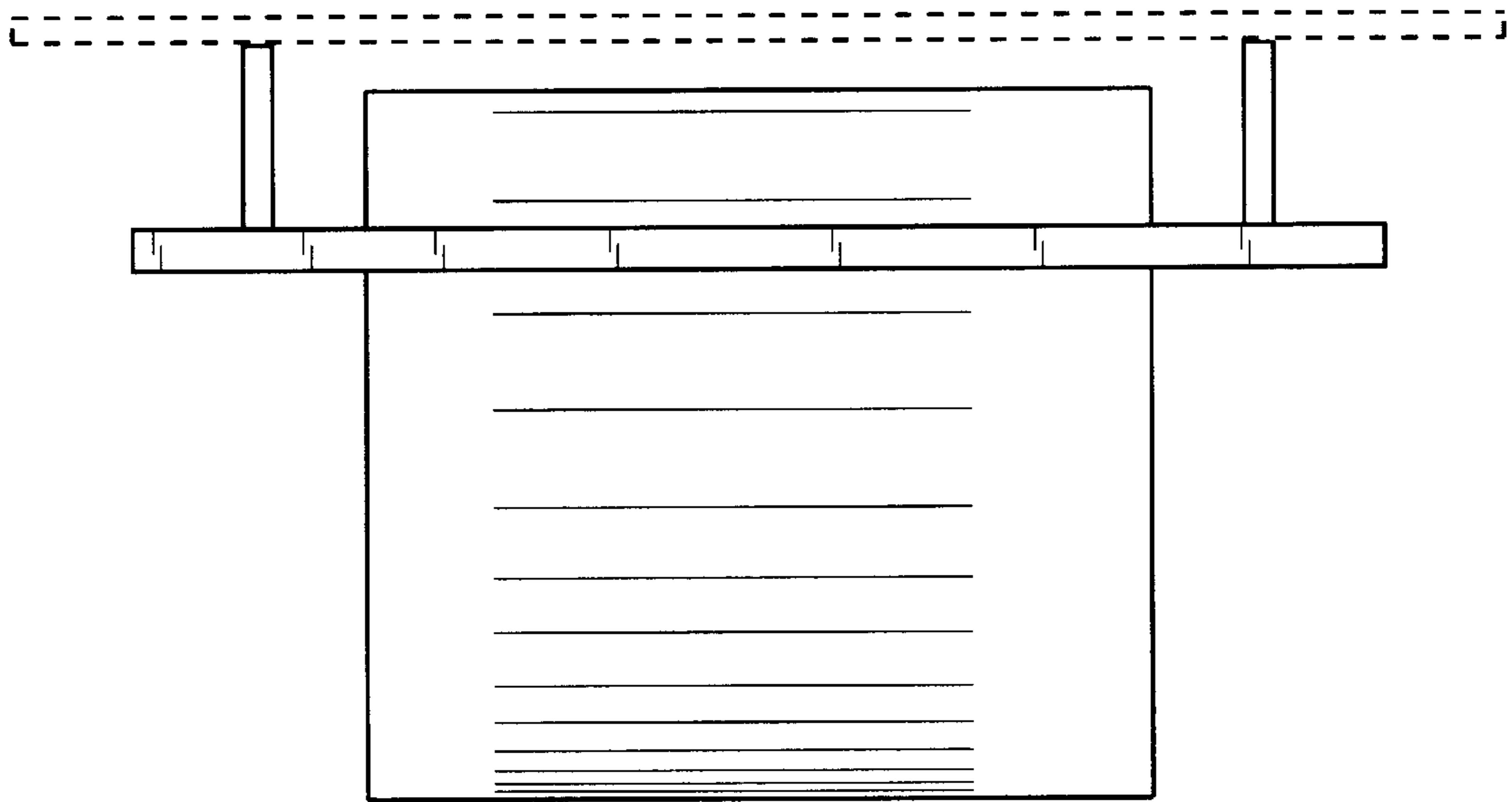


Fig. 13

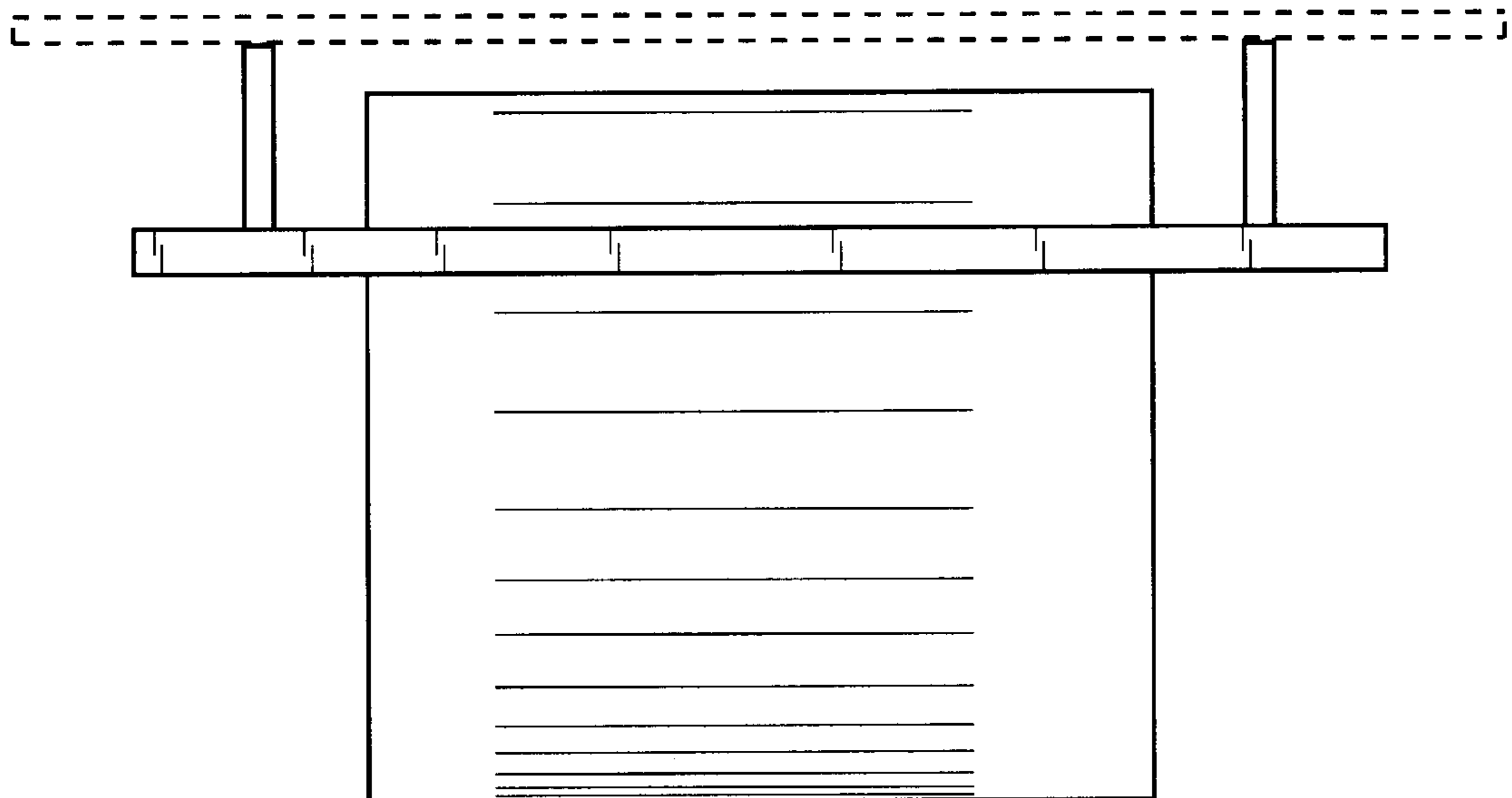


Fig. 14