



US00D460291S

(12) **United States Design Patent**
Miller et al.

(10) **Patent No.:** **US D460,291 S**
(45) **Date of Patent:** **** Jul. 16, 2002**

(54) **PRODUCT MERCHANDIZING COOLER AND STAND**

(75) Inventors: **Donald J. Miller**, Belleville, IL (US);
Maynard Johnson, Ballwin, MO (US)

(73) Assignee: **Paul Flum Ideas, Inc.**, St. Louis, MO (US)

(**) Term: **14 Years**

(21) Appl. No.: **29/142,997**

(22) Filed: **Jun. 6, 2001**

(51) **LOC (7) Cl.** **06-04**

(52) **U.S. Cl.** **D6/436**

(58) **Field of Search** D6/436, 463, 465,
D6/475; D15/83; 62/246, 249, 251, 440,
457.5; 312/116, 284

(56) **References Cited**

U.S. PATENT DOCUMENTS

- D193,194 S * 7/1962 Black D6/438
- 3,491,548 A * 1/1970 Christiansen 62/246 X
- D244,411 S * 5/1977 Haggerty D6/458
- 4,688,684 A 8/1987 Young et al.
- 4,724,682 A * 2/1988 Flum et al. 62/462
- D306,942 S * 4/1990 Patke D6/463
- D317,688 S * 6/1991 Bezzerides et al. D6/463
- 5,048,171 A 9/1991 Bidwell et al.

- 5,238,129 A 8/1993 Ota
- D358,955 S 6/1995 Fowler
- 5,433,085 A * 7/1995 Rogers 62/372
- 5,910,162 A 6/1999 Harbour et al.
- D427,812 S * 7/2000 Donnelly D6/480
- D431,144 S * 9/2000 Goff et al. D6/630
- D435,743 S * 1/2001 Glauth et al. D6/465

* cited by examiner

Primary Examiner—Cathron C. Brooks

(74) *Attorney, Agent, or Firm*—Blackwell Sanders Peper Martin LLP

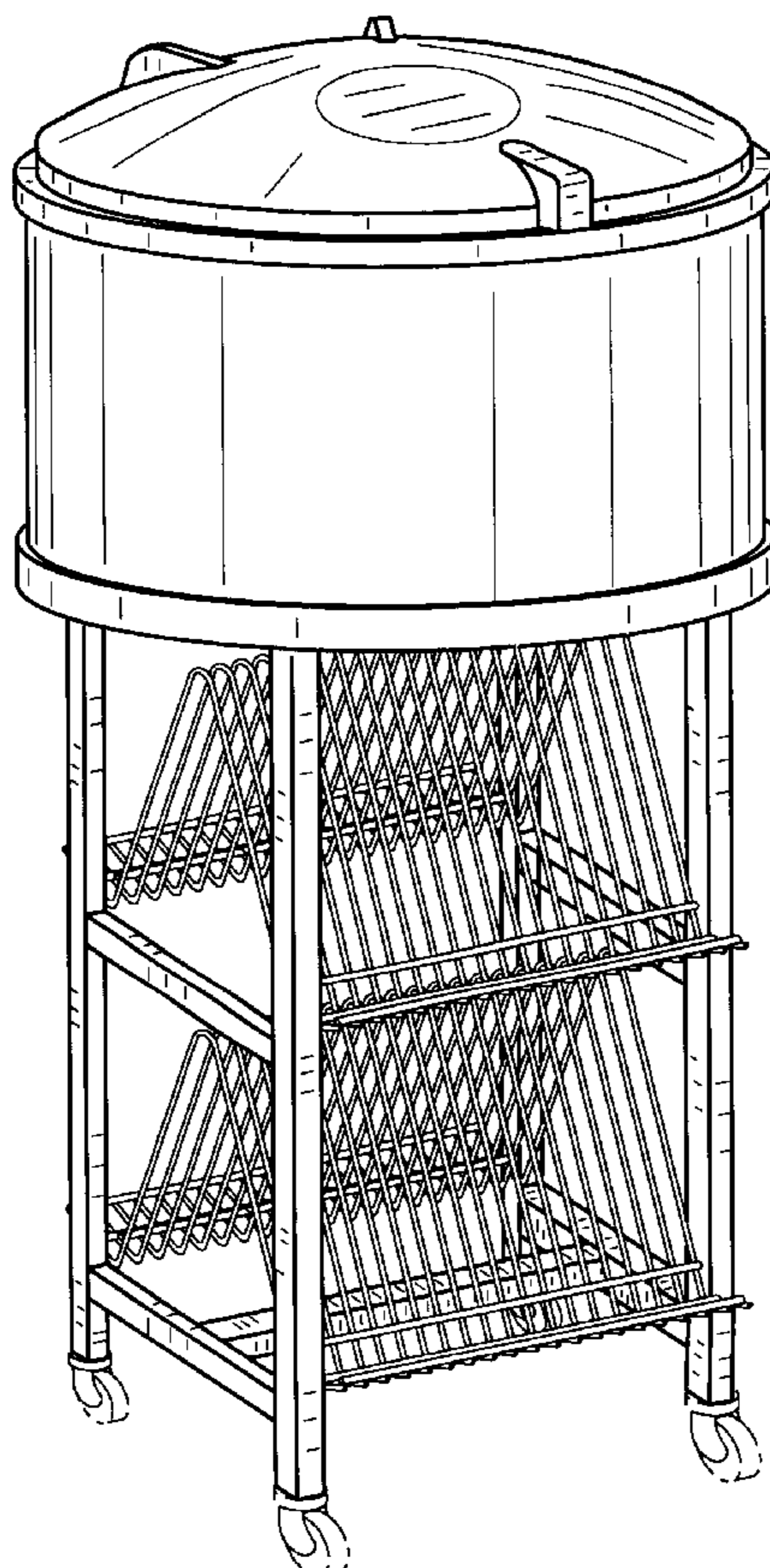
(57) **CLAIM**

The ornamental design for a product merchandizing cooler and stand, as shown and described.

DESCRIPTION

FIG. 1 A perspective view of a product merchandising cooler and stand showing our new design;
 FIG. 2 is a front elevational view thereof.
 FIG. 3 is a rear elevational view thereof.
 FIG. 4 is a left side elevational view thereof.
 FIG. 5 is a top plan view thereof.
 FIG. 6 is a right side elevational view thereof; and,
 FIG. 7 is a bottom plan view thereof.
 The broken line showing of wheels is for illustrative purposes only and forms no part of the claimed design.

1 Claim, 3 Drawing Sheets



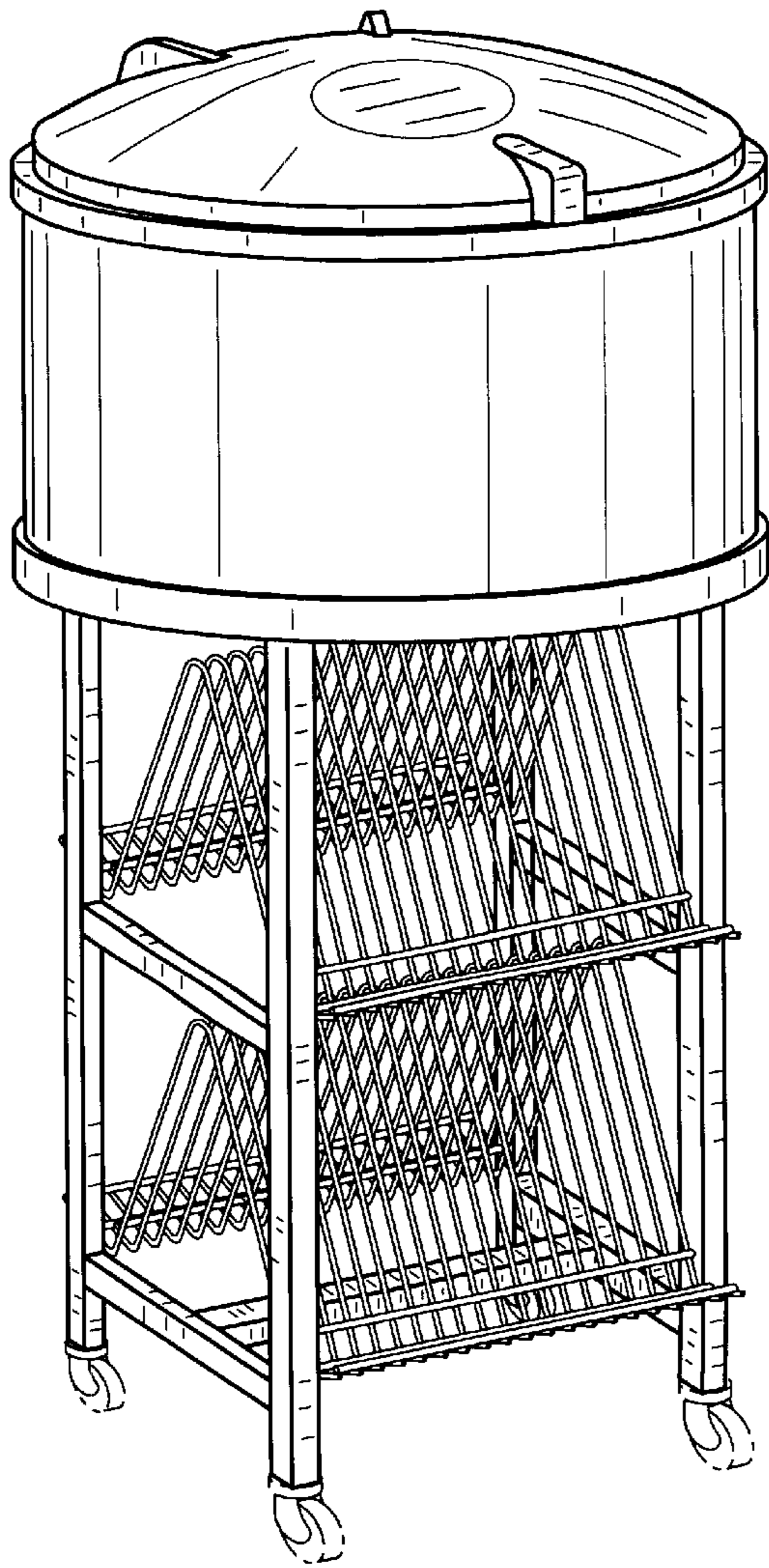


FIG. 1

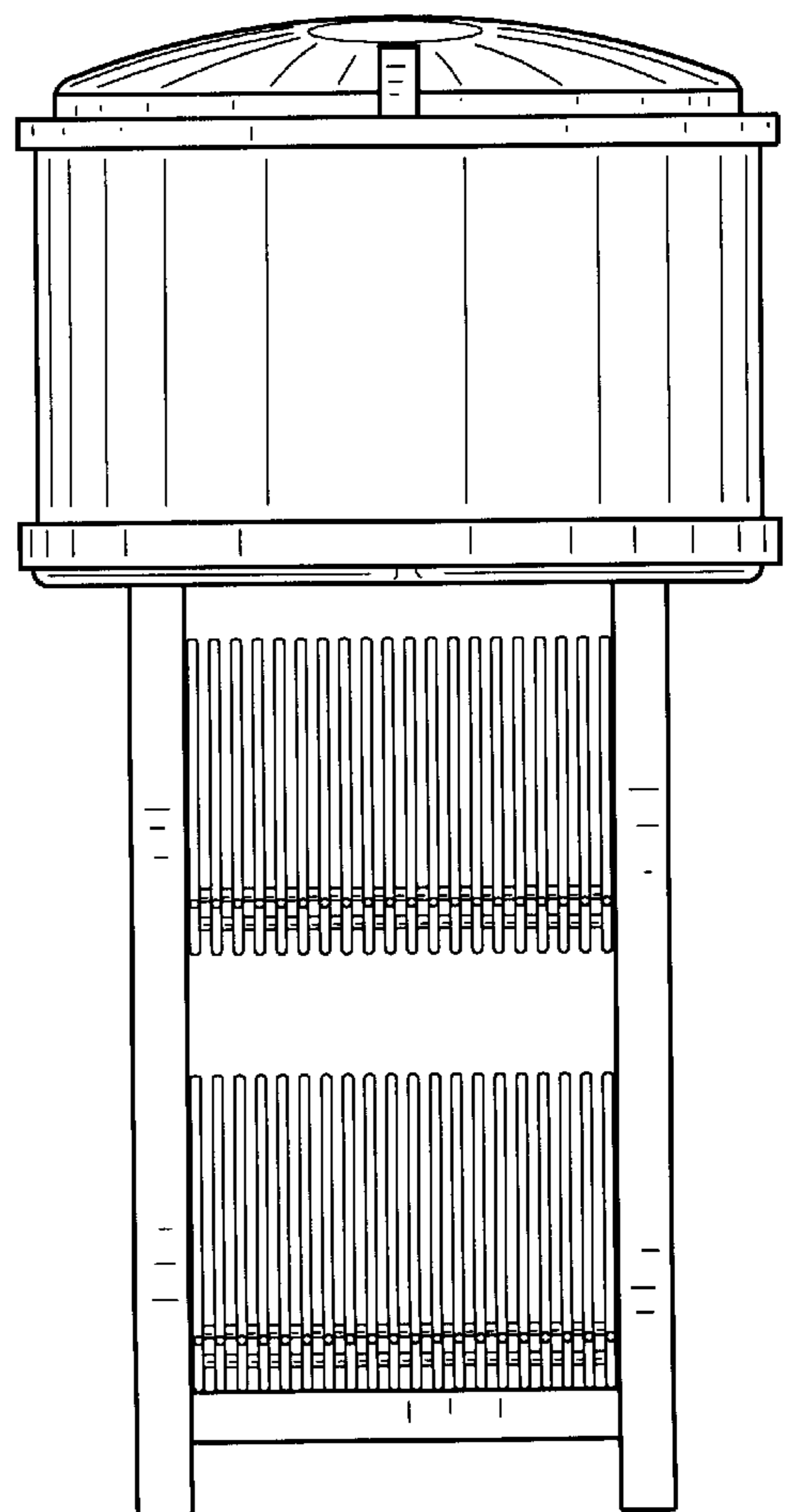


FIG. 2

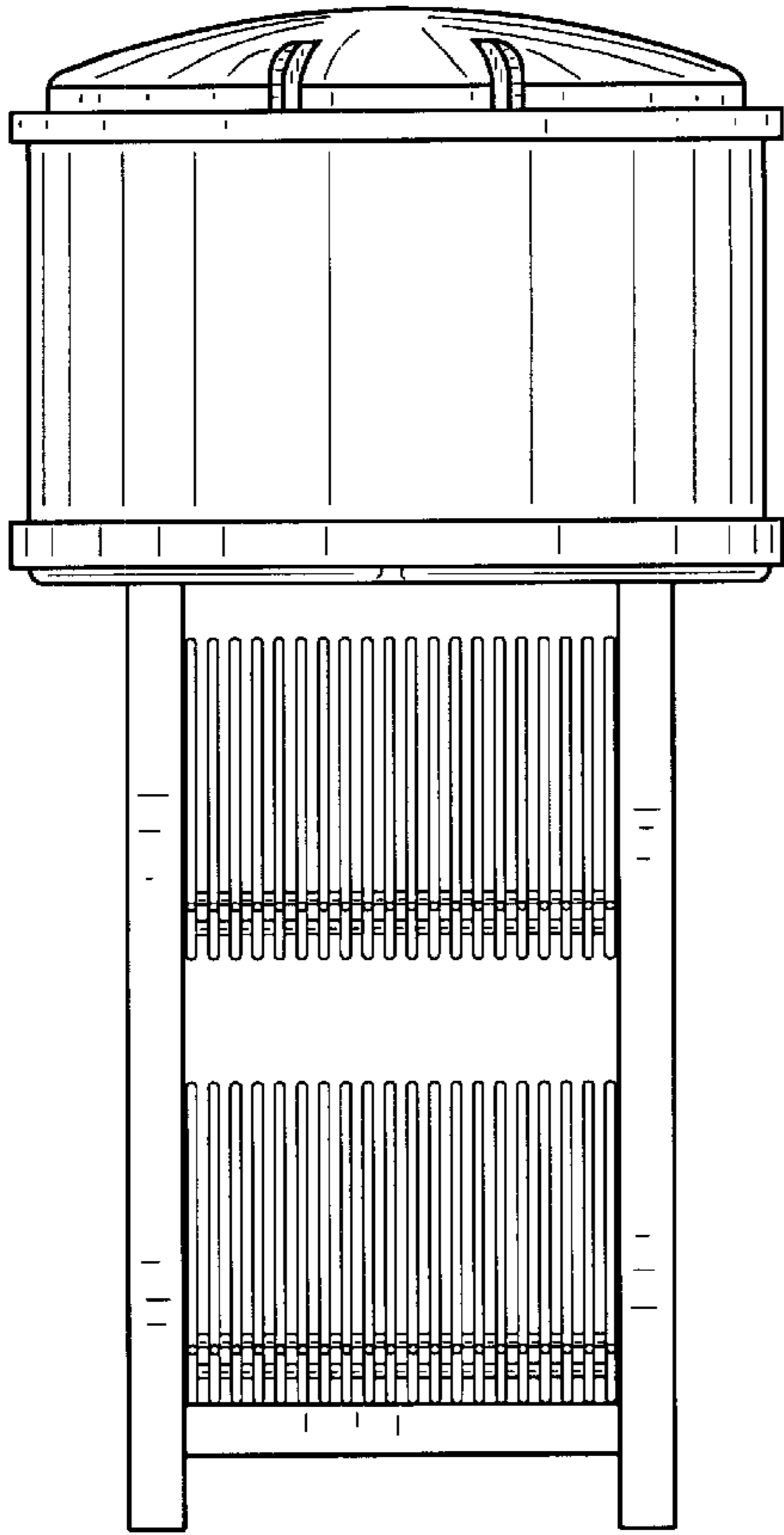


FIG. 3

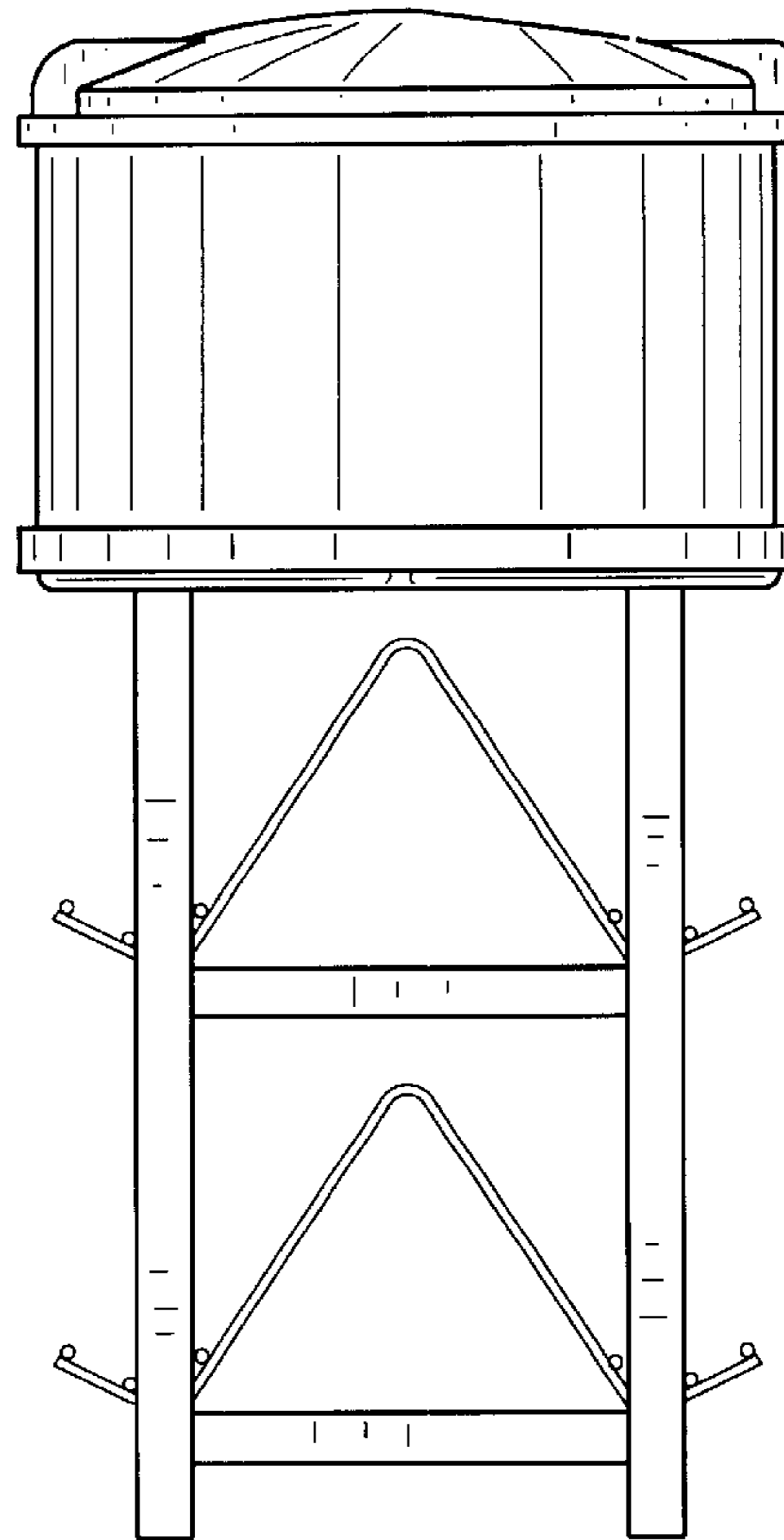


FIG. 4

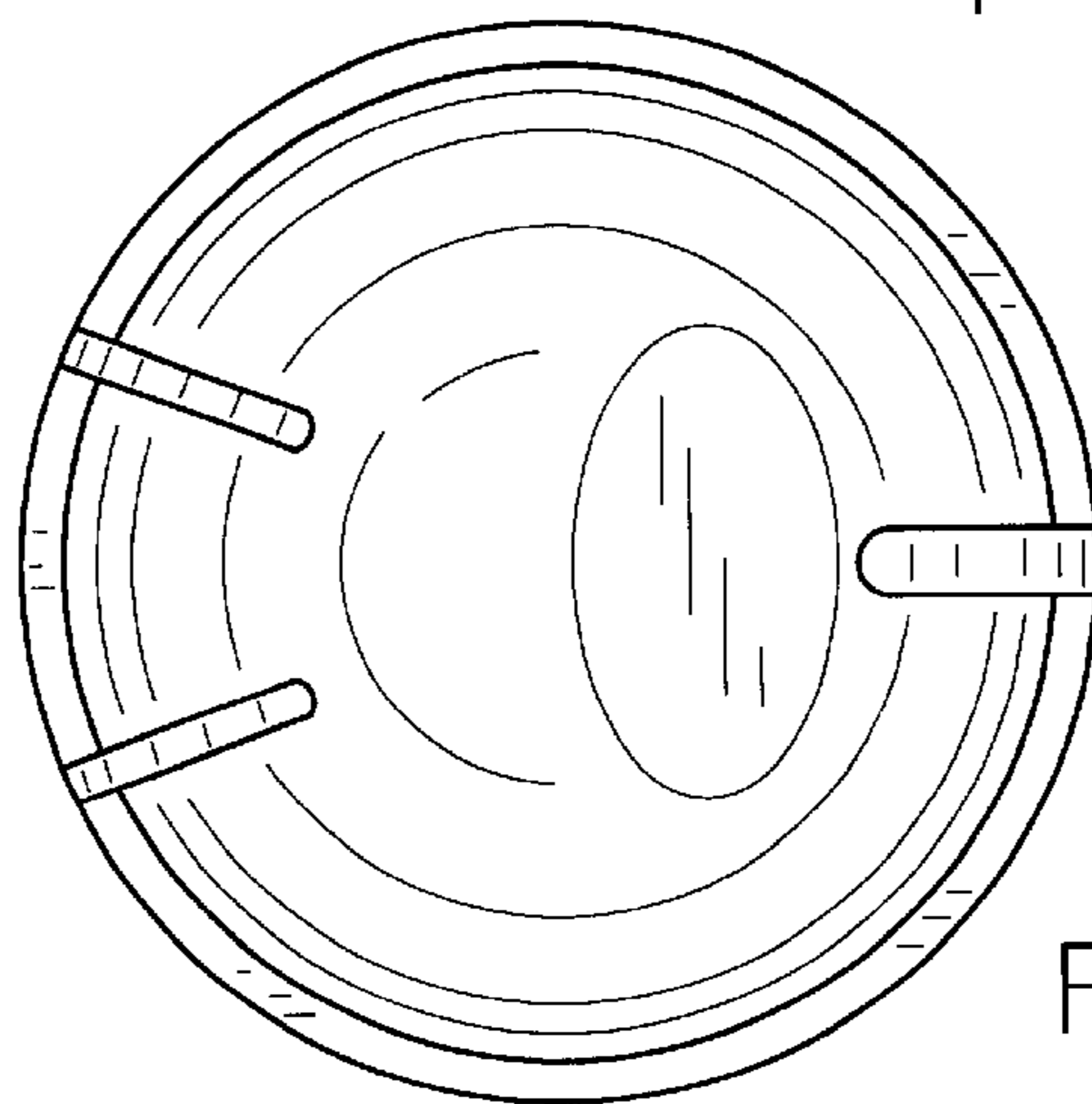


FIG. 5

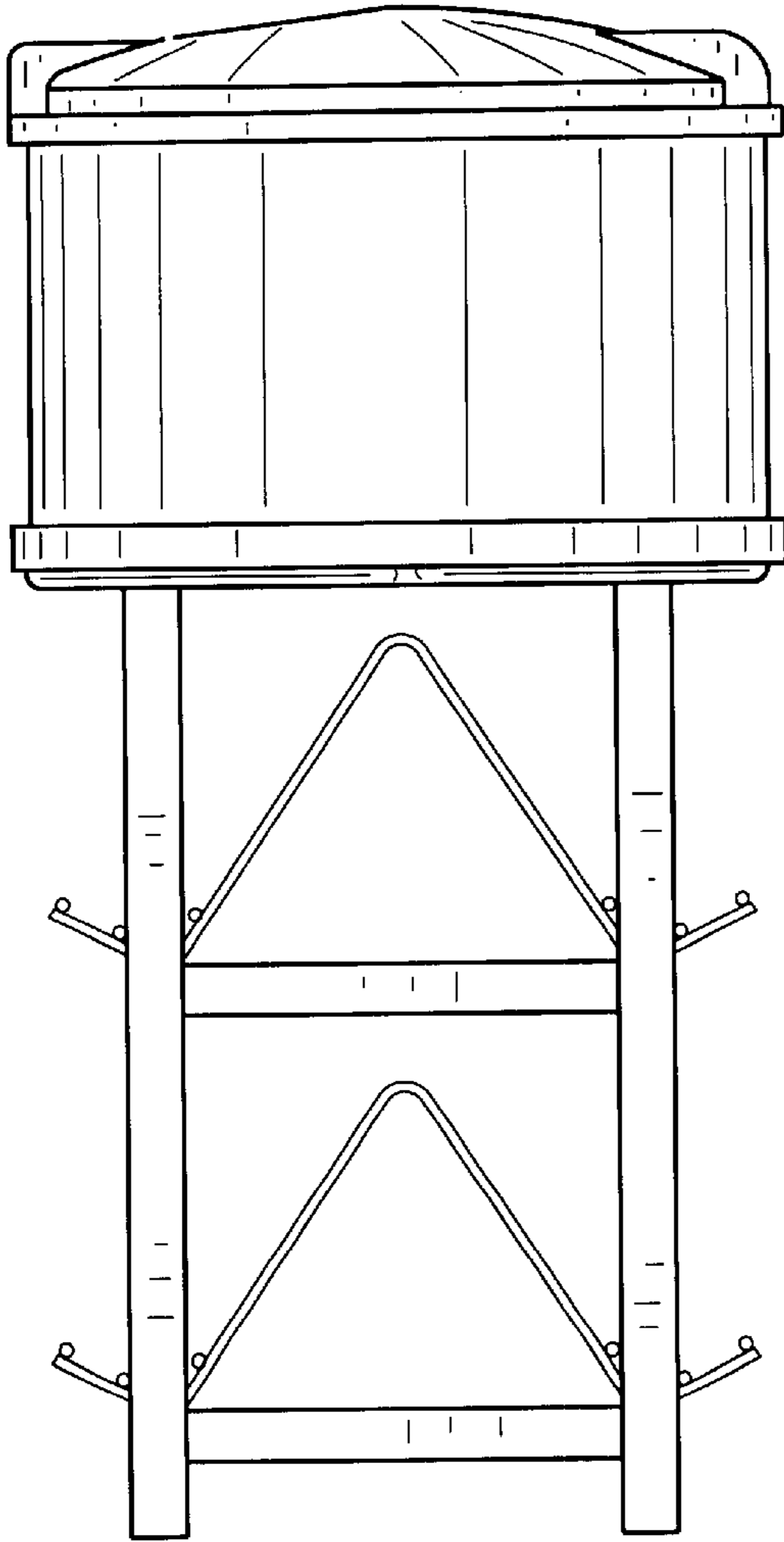


FIG. 6

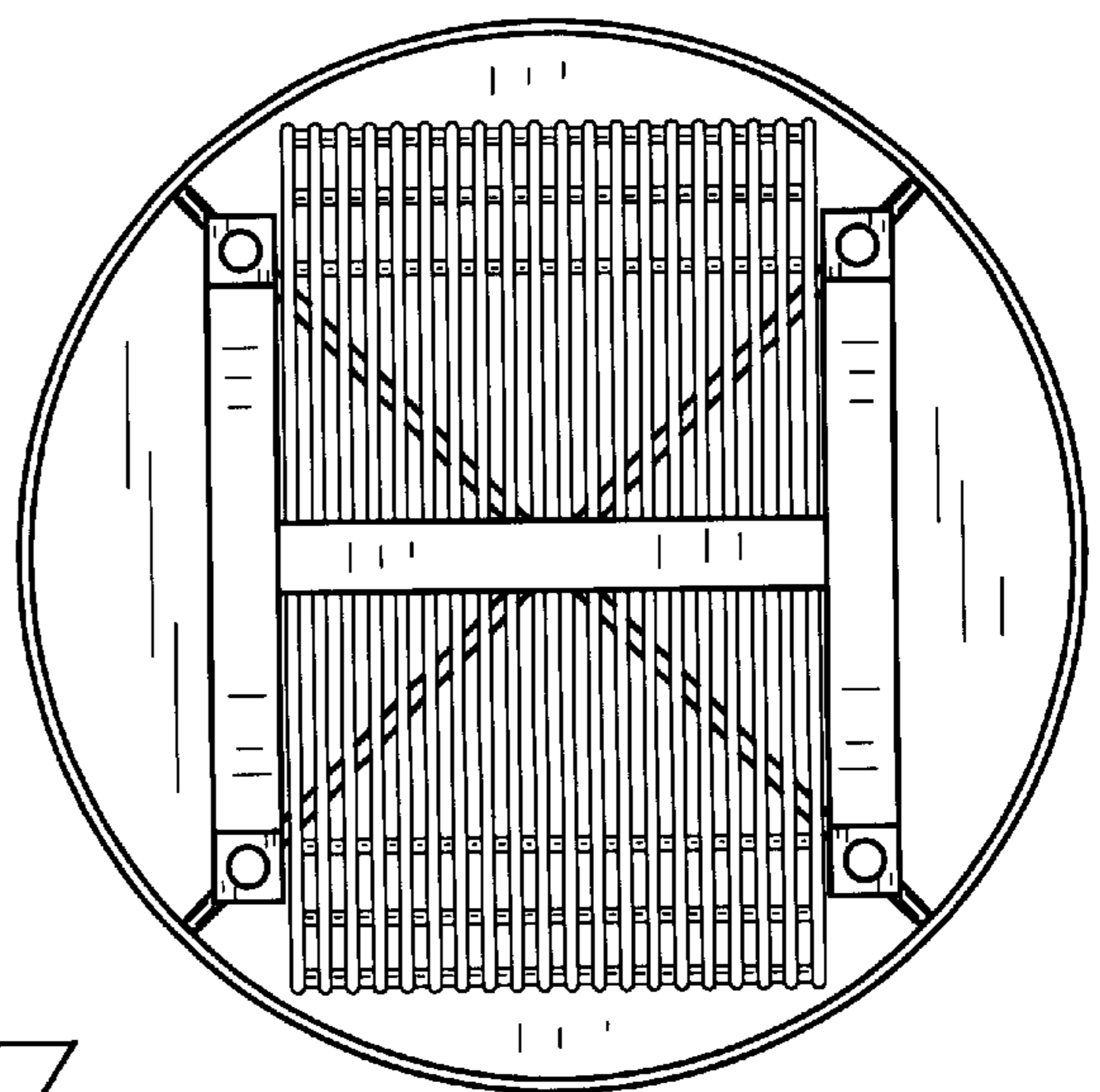


FIG. 7

UNITED STATES PATENT AND TRADEMARK OFFICE
CERTIFICATE OF CORRECTION

PATENT NO. : Des. 460,291
DATED : July 16, 2002
INVENTOR(S) : Donald J. Miller, Jr. and Maynard Johnson

Page 1 of 1

It is certified that error appears in the above-identified patent and that said Letters Patent is hereby corrected as shown below:


Title page,

Item [75], after the last name "**Miller**" please add -- **Jr.** --.

Signed and Sealed this

Twelfth Day of November, 2002

Attest:

A handwritten signature in black ink, appearing to read "James E. Rogan", written over a horizontal line.

Attesting Officer

JAMES E. ROGAN
Director of the United States Patent and Trademark Office