



US00D460283S

(12) **United States Design Patent**
Floyd, Jr.

(10) **Patent No.:** **US D460,283 S**

(45) **Date of Patent:** **** Jul. 16, 2002**

(54) **SEATING DEVICE**

(75) **Inventor:** **Franklin B. Floyd, Jr.,** Shaker Heights,
OH (US)

(73) **Assignee:** **Reliable Construction Heaters, Inc.,**
Cleveland, OH (US)

(**) **Term:** **14 Years**

(21) **Appl. No.:** **29/114,187**

(22) **Filed:** **Nov. 19, 1999**

(51) **LOC (7) Cl.** **06-01**

(52) **U.S. Cl.** **D6/375; D6/381**

(58) **Field of Search** D6/334, 335, 360,
D6/364, 371, 381, 500, 501, 502; 297/107,
180.1, 180.13, 232, DIG. 8

(56) **References Cited**

U.S. PATENT DOCUMENTS

D132,793 S	*	6/1942	Reiss	D6/364
4,092,049 A	*	5/1978	Schoblom	D6/334
D248,802 S	*	8/1978	Iselin	D6/364

D264,026 S	*	4/1982	Mascheroni	D6/381
D281,205 S	*	11/1985	Timmers	D6/336
D286,586 S	*	11/1986	Radford	D6/334
D339,925 S	*	10/1993	Paris	D6/364
D349,820 S	*	8/1994	Schaevitz	D6/364
D372,132 S	*	7/1996	Infanti	D6/364

* cited by examiner

Primary Examiner—Gary D. Watson

(74) *Attorney, Agent, or Firm*—Calfee Halter & Griswold
LLP

(57) **CLAIM**

The ornamental design for a seating device, as shown.

DESCRIPTION

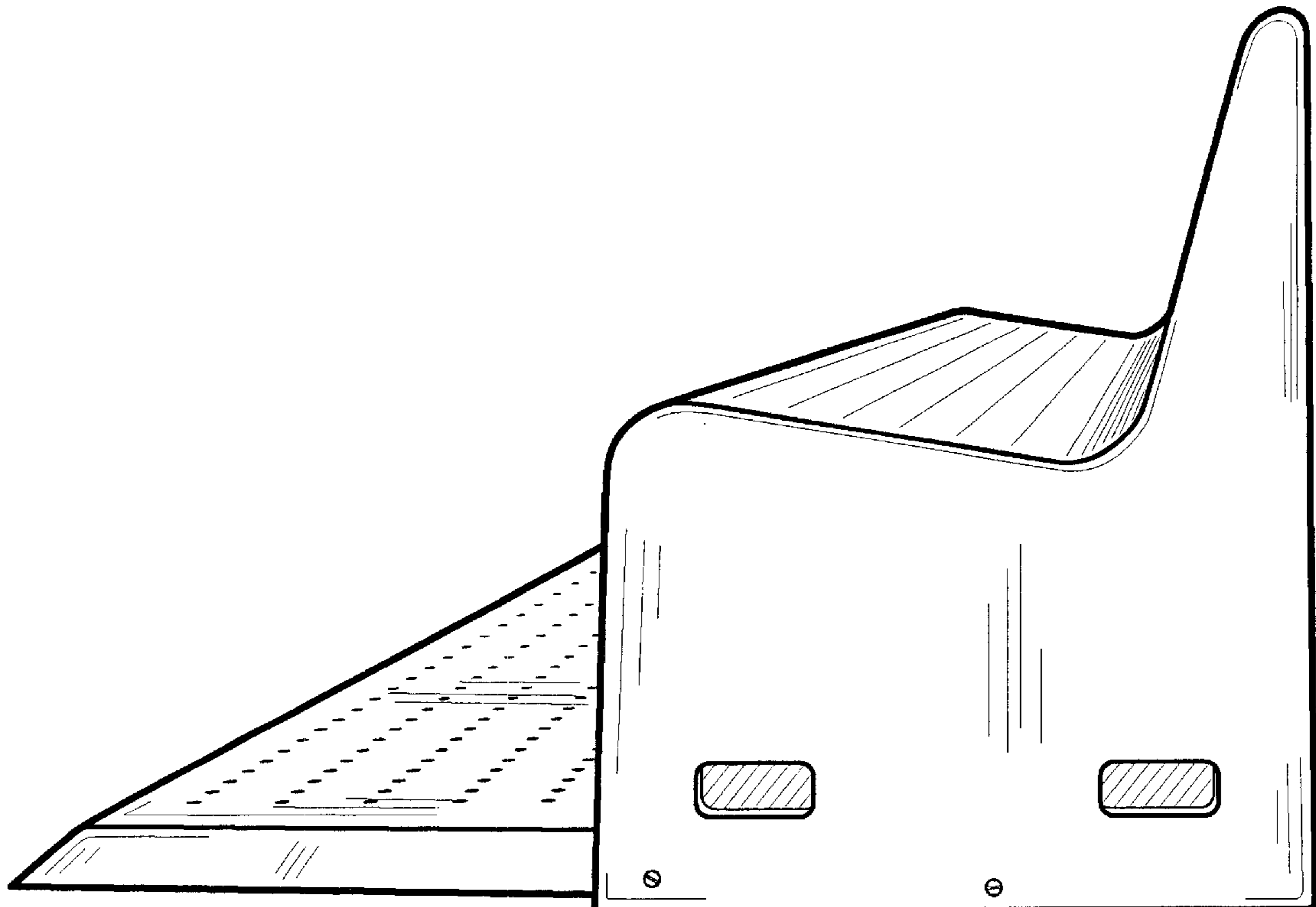
FIG. 1 is a side perspective view showing the seating device of the present invention;

FIG. 2 is a front perspective view thereof;

FIG. 3 is a top perspective view thereof; and,

FIG. 4 is a side perspective view thereof shown from an opposite side of the device in FIG. 1.

1 Claim, 4 Drawing Sheets



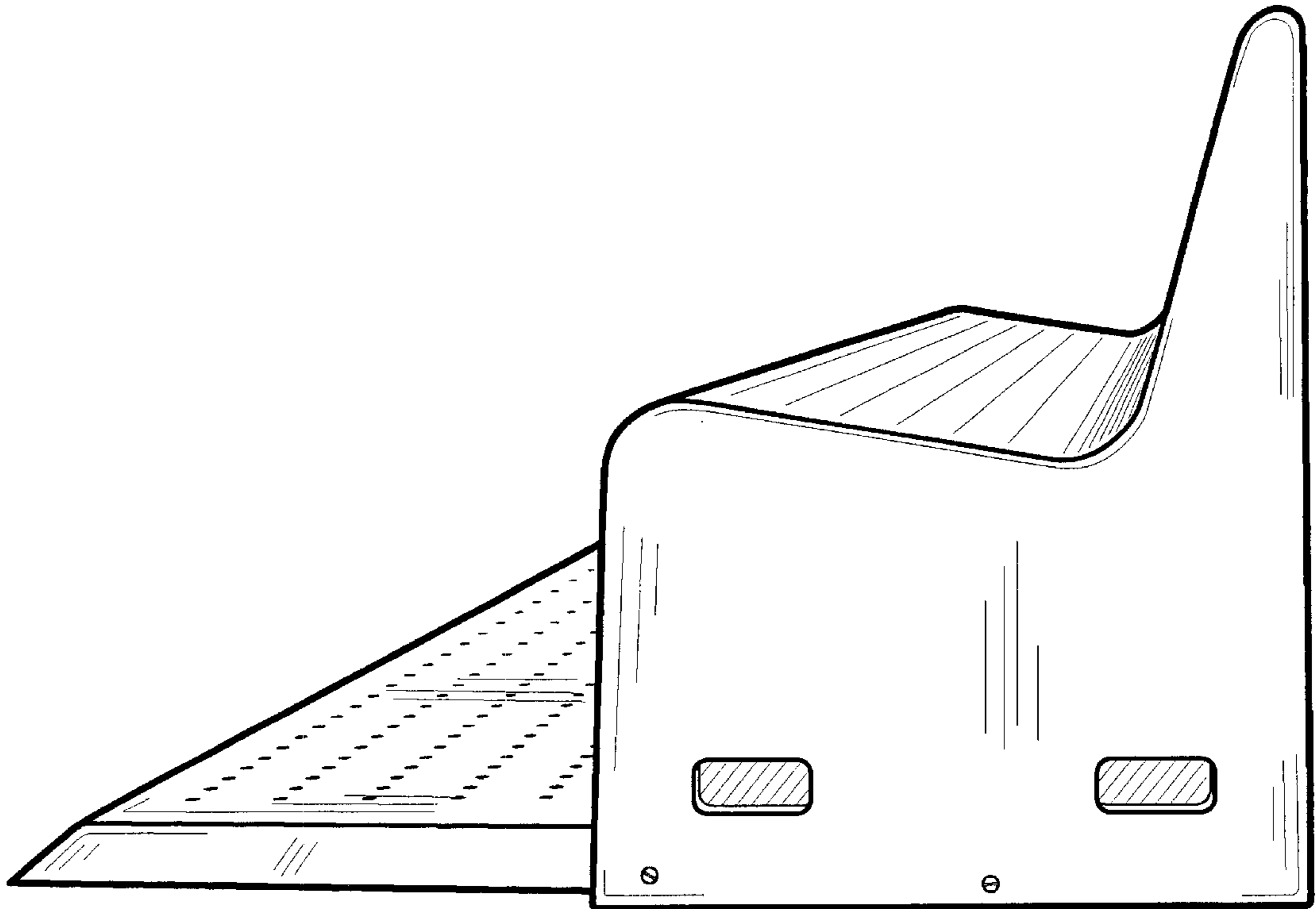


Figure 1

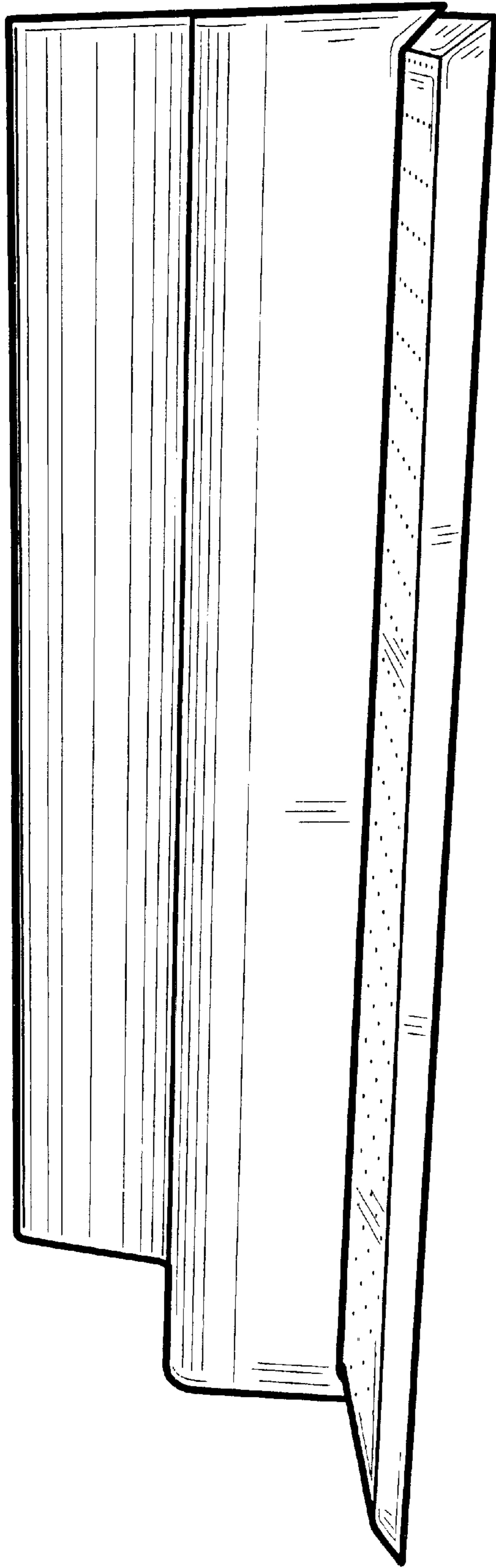


Figure 2

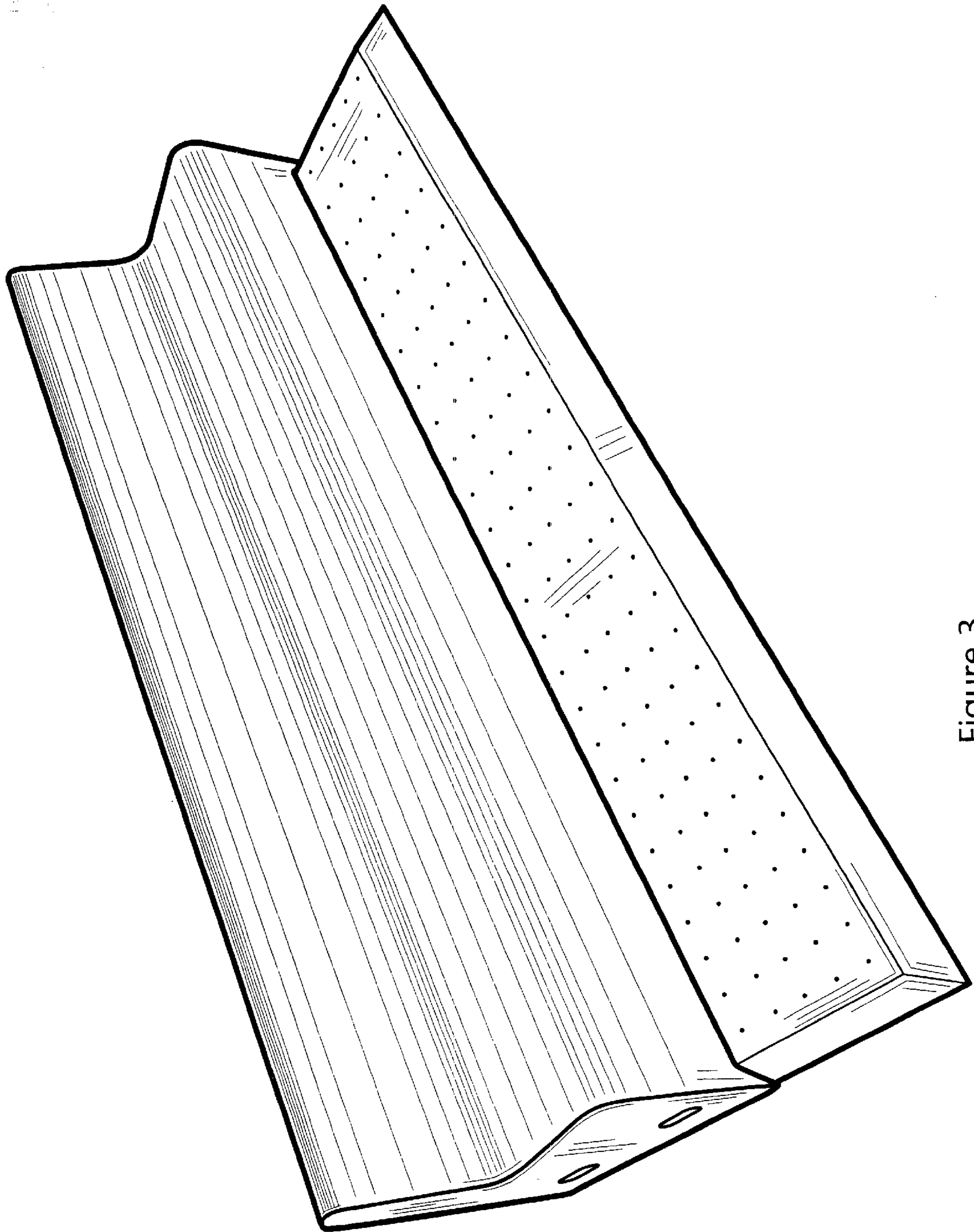


Figure 3

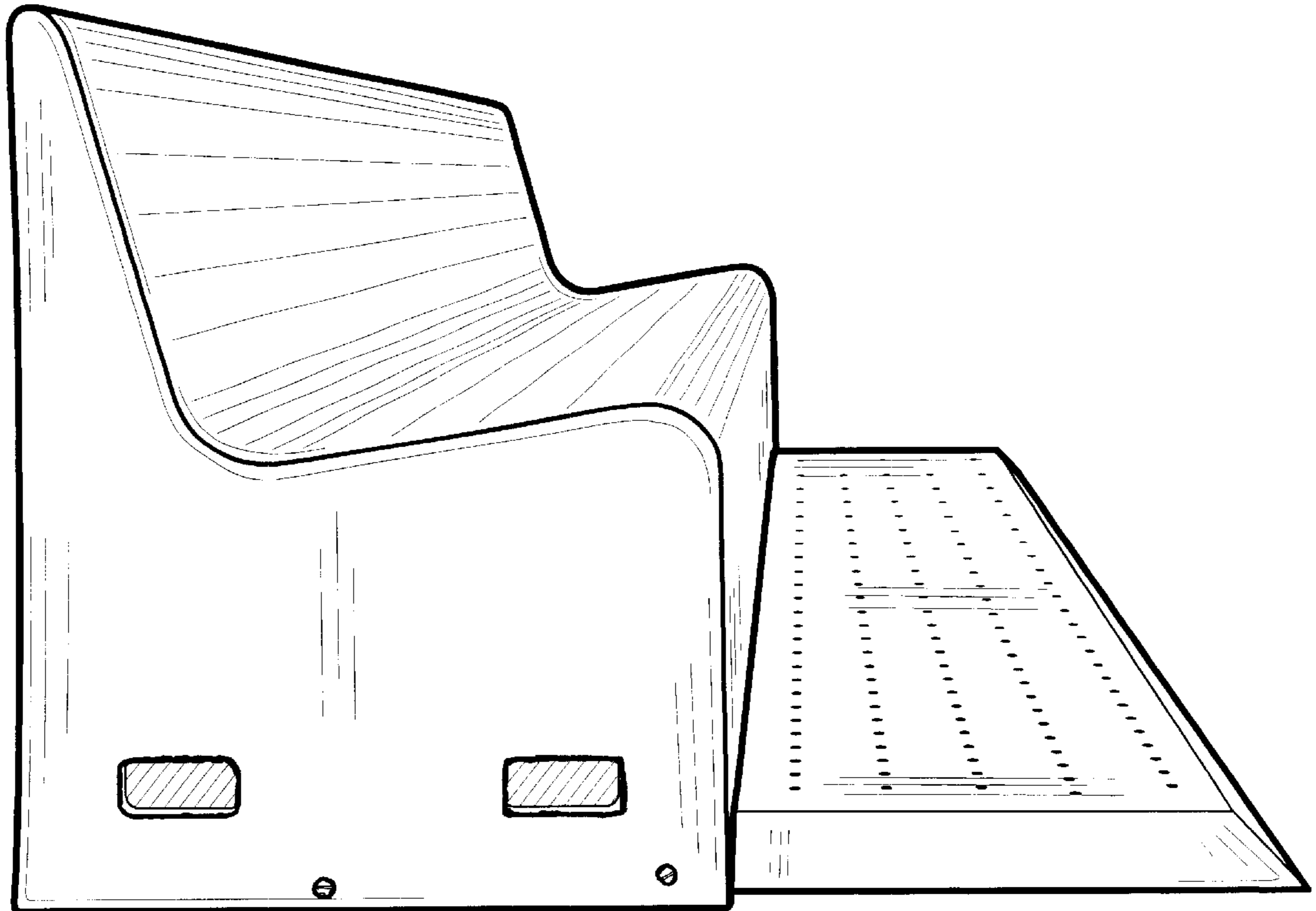


Figure 4