



US00D460281S

(12) **United States Design Patent** (10) **Patent No.:** **US D460,281 S**
Shields et al. (45) **Date of Patent:** **** Jul. 16, 2002**

(54) **SEAT**
(75) Inventors: **Robah Clay Shields; Kirk Joseph Heidenreich**, both of Sullivans Island, SC (US); **Guy A. Walters, III**, High Point, NC (US)
(73) Assignee: **Thomasville Furniture Industries, Inc.**, Thomasville, NC (US)
(**) Term: **14 Years**
(21) Appl. No.: **29/139,425**
(22) Filed: **Mar. 30, 2001**
(51) **LOC (7) Cl.** **06-01**
(52) **U.S. Cl.** **D6/365**
(58) **Field of Search** D6/334, 335, 360, D6/364, 365, 366, 367, 370, 379, 380, 500-502, 495, 498; 297/411.2, 411.27, 411.45, 452.63

International Helmseat, Pompanette Catalog, p. 8, date unknown, prior to Mar. 30, 2001.
Mid-Range Tuna and Aluminum Tuna, Release Marine Catalog, p. 2, date unknown, prior to Mar. 30, 2001.
Model #2000 Seat with Mahoghany Back, Todd Marine Products Catalog, p. 1, date unknown, prior to Mar. 30, 2001.
Fixed Height Pedestals, Todd Marine Products Catalog, p. 5, date unknown, prior to Mar. 30, 2001.
Helmsman's Base Stand, Todd Marine Products Catalog, p. 6, date unknown prior to Mar. 30, 2001.
Advertisement from Oct. 2000 issue of *The Sportfishing Report*, Nautical Design Inc., date unknown, prior to Mar. 30, 2001.

* cited by examiner

Primary Examiner—Doris V. Coles
Assistant Examiner—Mimosa De
(74) *Attorney, Agent, or Firm*—Womble Carlyle Sandridge & Rice, PLLC

(56) **References Cited**

U.S. PATENT DOCUMENTS

D48,943 S	*	4/1916	Koken	D6/360
D78,016 S	*	3/1929	Goble	D6/360
D206,323 S	*	11/1966	Kasparian	D6/498
D275,242 S	*	8/1984	Stephens	D6/360
D317,539 S	*	6/1991	Goldsmith	D6/495
D332,011 S	*	12/1992	Fahnstrom et al.	D6/360
D438,392 S	*	3/2001	Lucci et al.	D6/366

OTHER PUBLICATIONS

Scopinich Tuna Chair, Scopinich Fighting Chairs & Accessories Catalog, date unknown, prior to Mar. 30, 2001.
Jumbo Marlin/Tuna, Pompanette Catalog, p. 3, date unknown, prior to Mar. 30, 2001.
Tournament-80 and Featherweight, Pompanette Catalog, p. 4, date unknown, prior to Mar. 30, 2001.

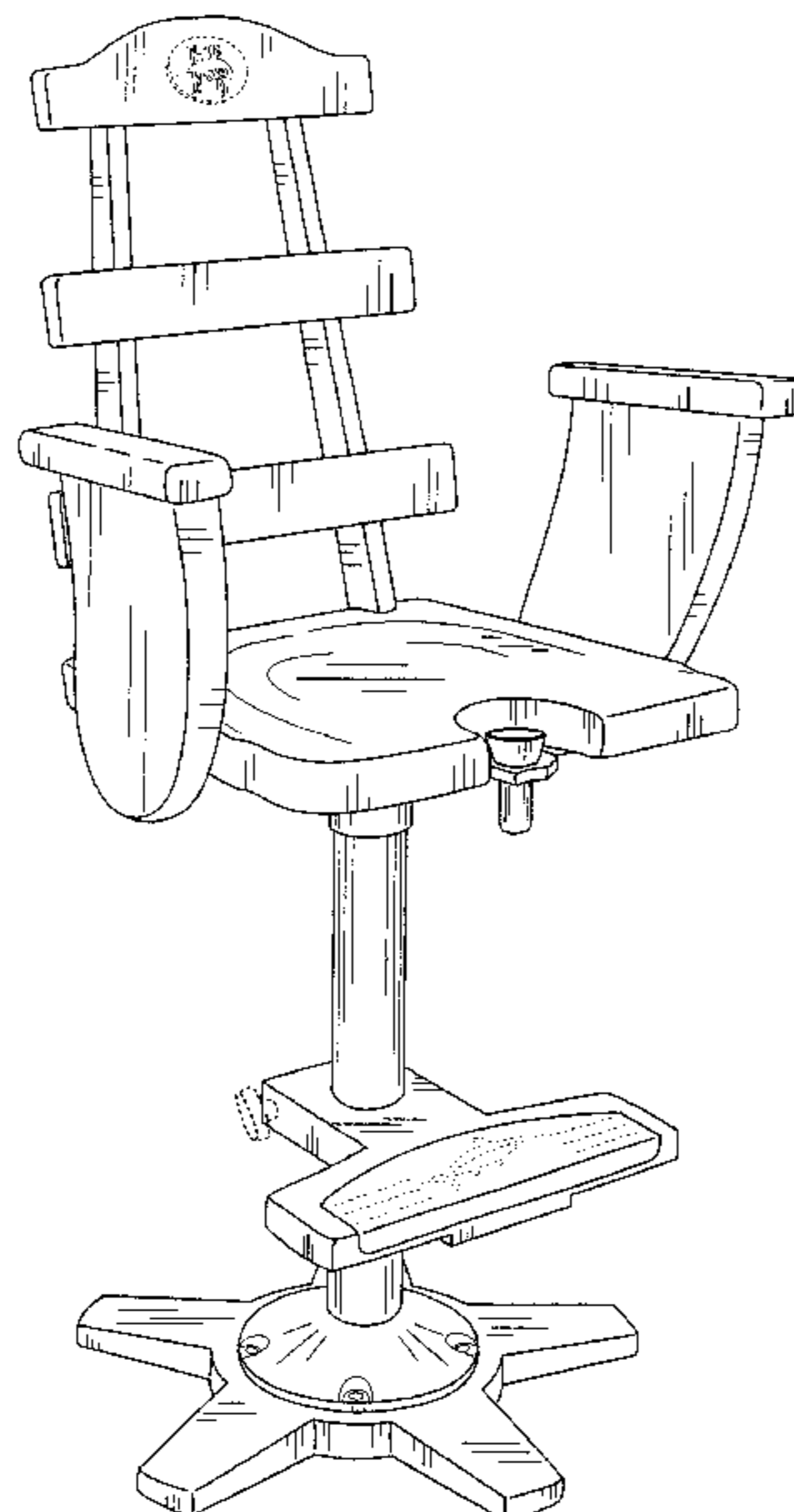
(57) **CLAIM**

The ornamental design for a seat, as shown and described.

DESCRIPTION

FIG. 1 is a left front perspective view of a seat showing my new design;
FIG. 2 is a front elevational view thereof;
FIG. 3 is a side elevational view, the opposite side being a mirror image thereof;
FIG. 4 is a rear perspective view thereof; and,
FIG. 5 is a top view thereof.
The bottom view is not shown and forms no part of the claimed design. The dashed lines represent environmental elements only and form no part of the claimed design.

1 Claim, 5 Drawing Sheets



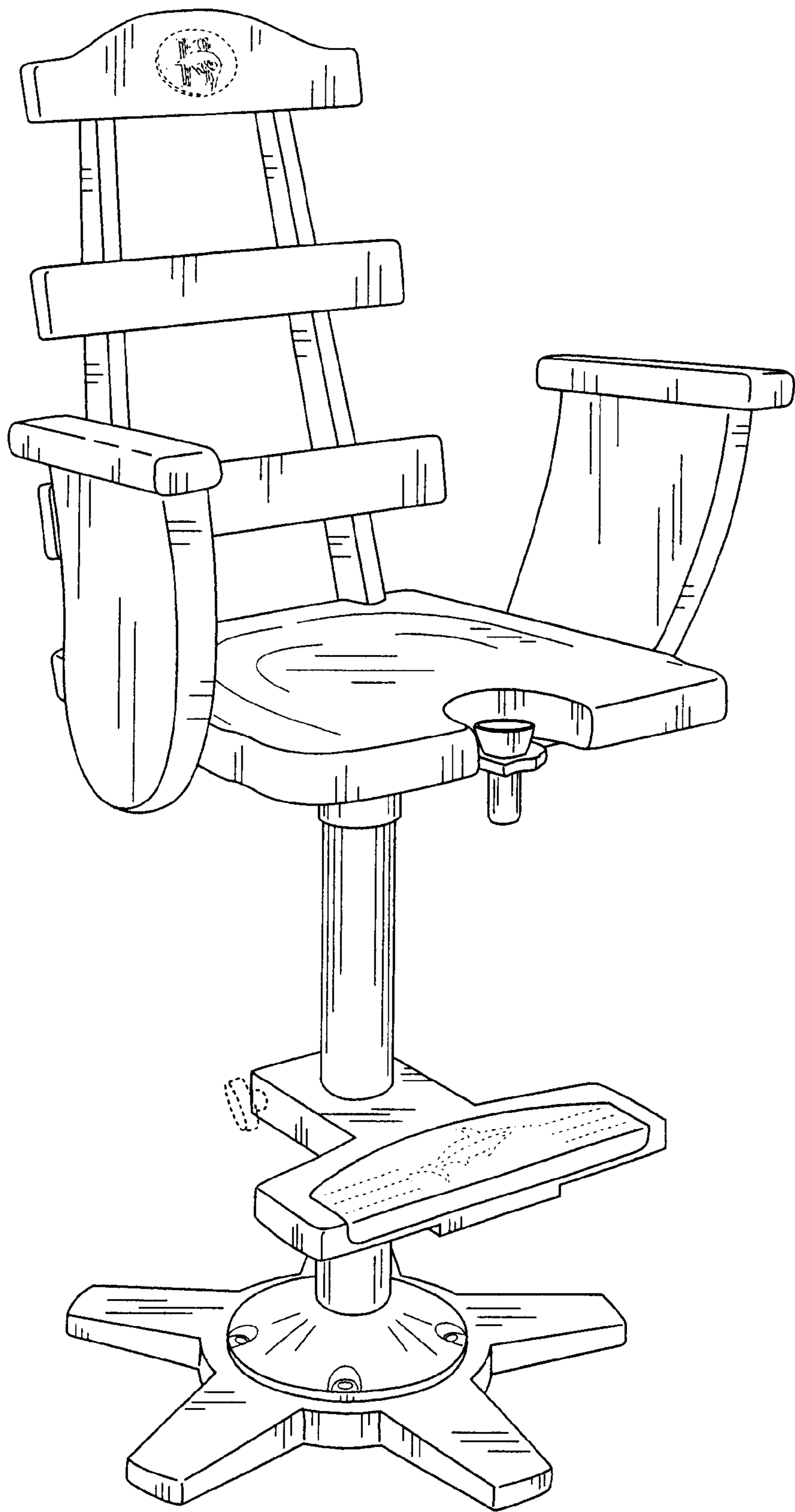


FIG. 1

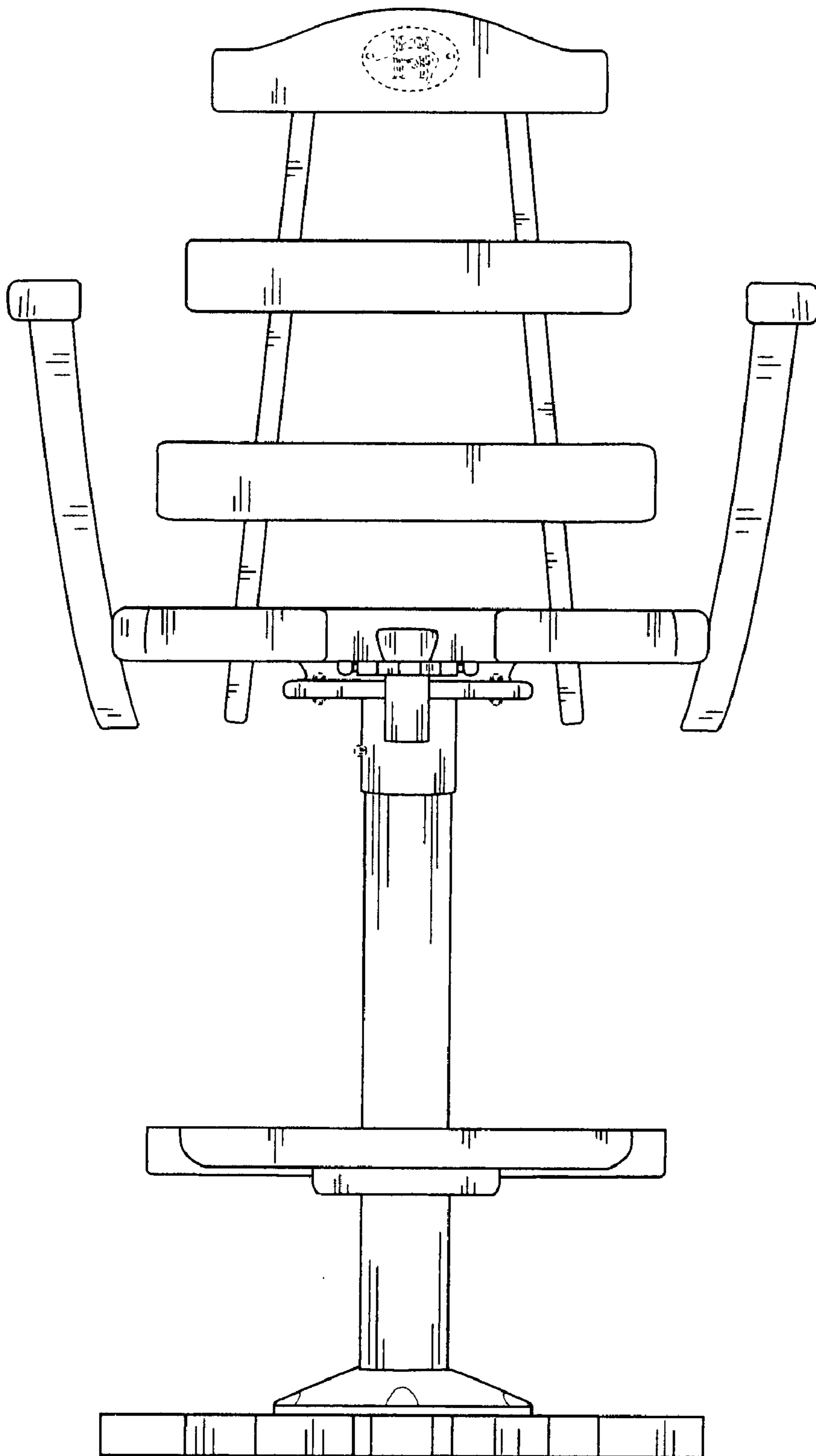


FIG. 2

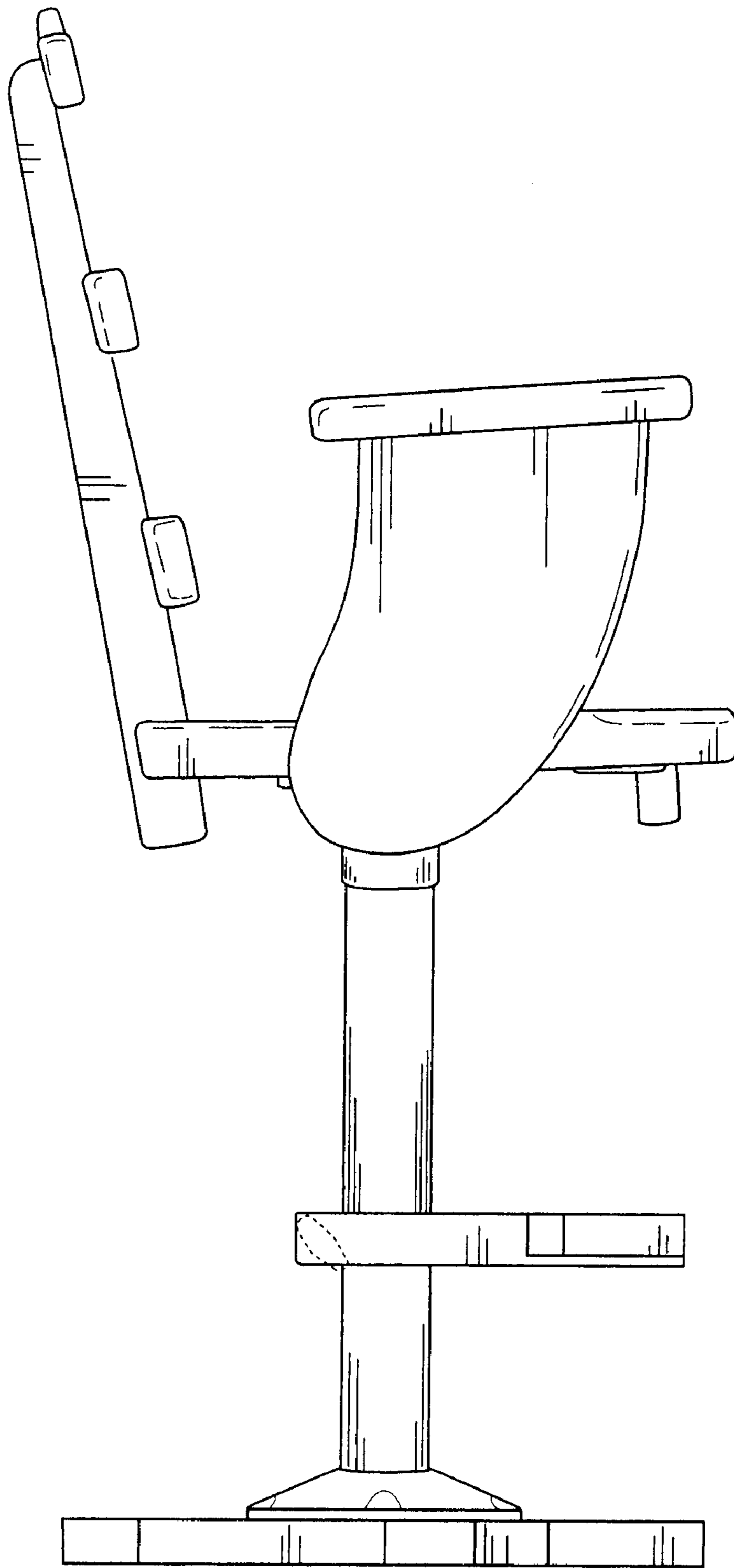


FIG. 3

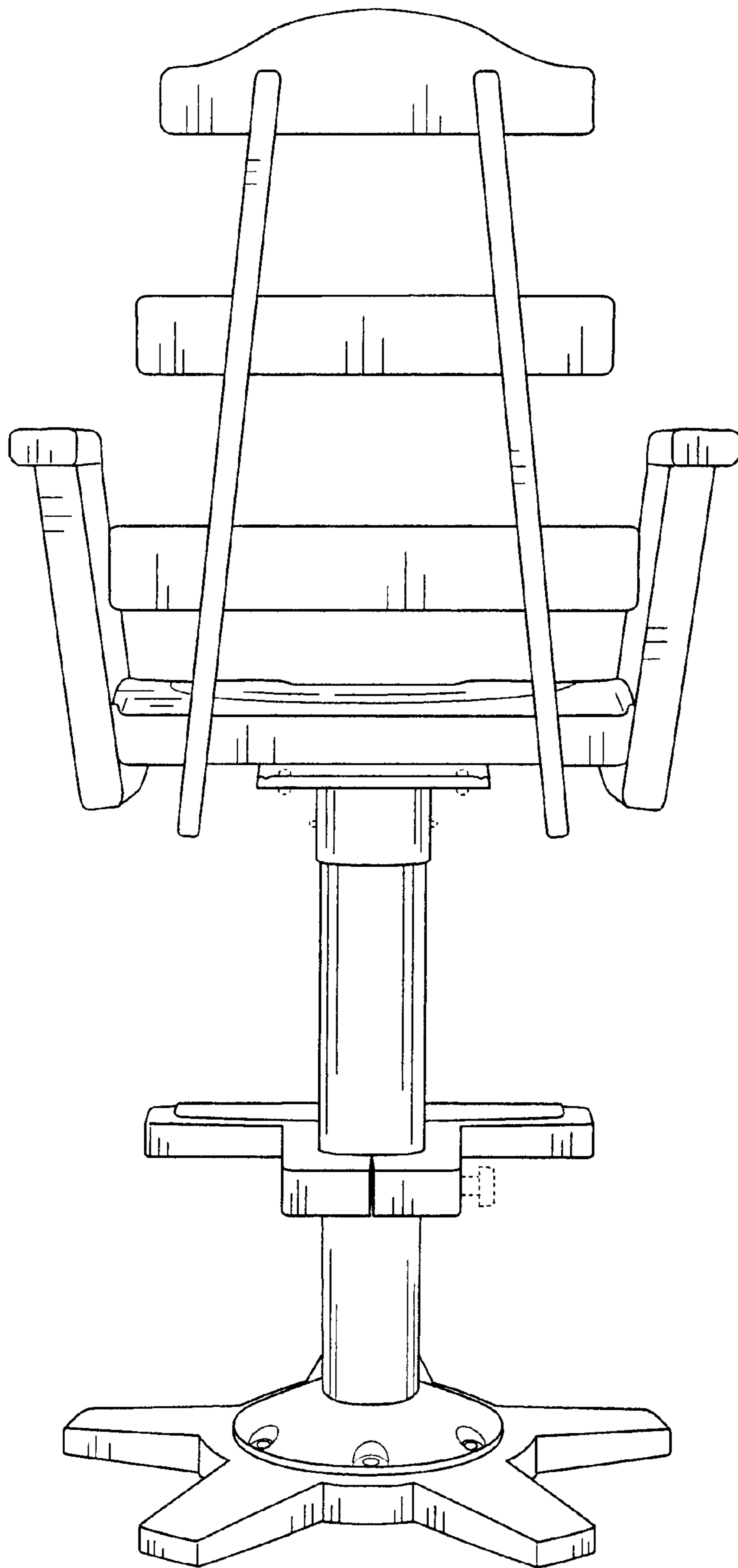


FIG. 4

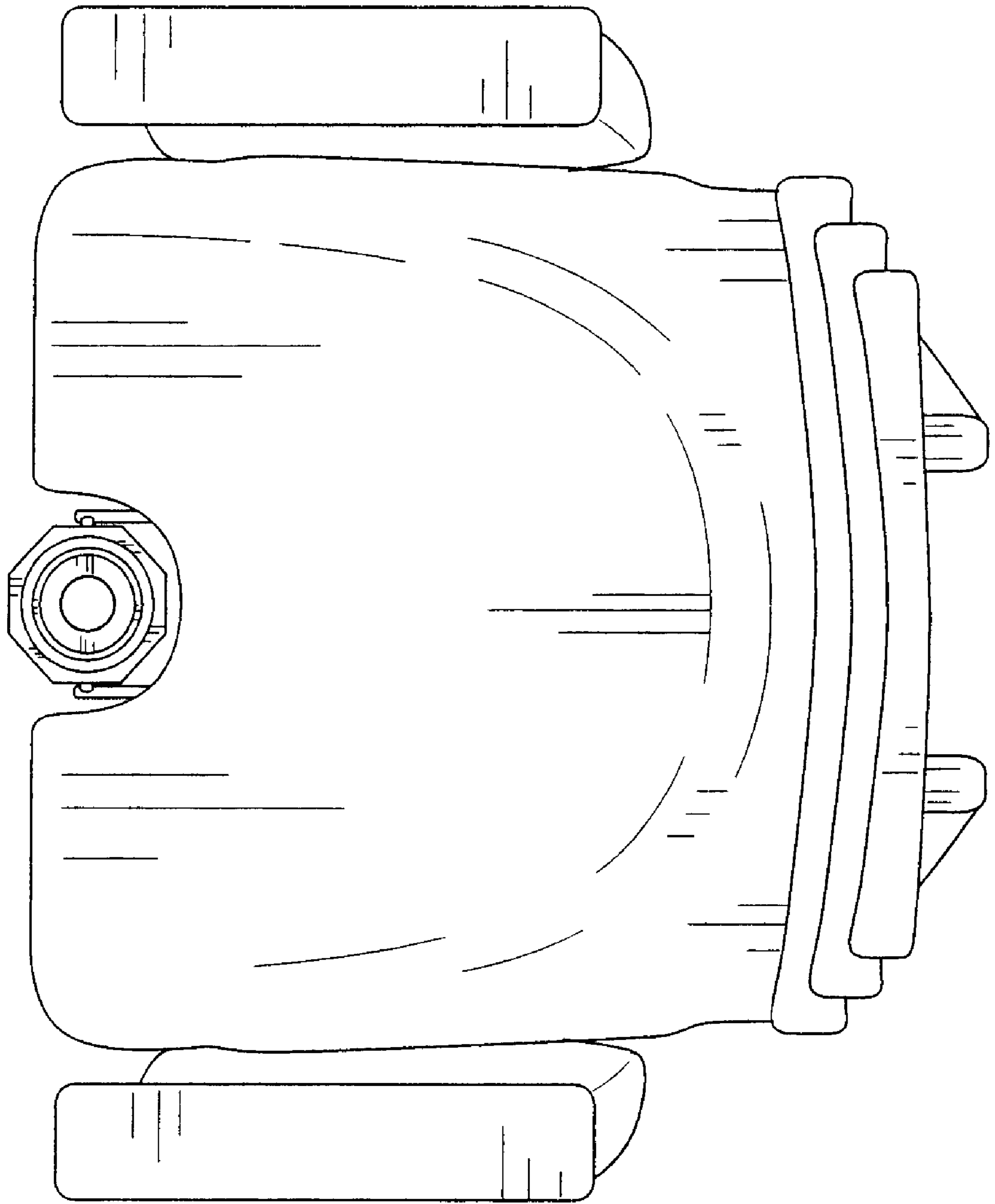


FIG. 5