



US00D460279S

(12) **United States Design Patent**
Moburg

(10) **Patent No.:** **US D460,279 S**

(45) **Date of Patent:** **** Jul. 16, 2002**

(54) **VEHICLE SEAT**

(75) **Inventor:** **Frank Dean Moburg**, Whittier, CA
(US)

(73) **Assignee:** **Honda Giken Kogyo Kabushiki**
Kaisha, Tokyo (JP)

(**) **Term:** **14 Years**

(21) **Appl. No.:** **29/148,199**

(22) **Filed:** **Sep. 18, 2001**

(51) **LOC (7) Cl.** **06-01**

(52) **U.S. Cl.** **D6/356**

(58) **Field of Search** D6/334, 356, 367,
D6/368, 374, 375, 381, 500-502; 297/284.3,
232, 353, 354.1, 391, 452.24, 452.26, 452.34,
452.35

(56) **References Cited**

U.S. PATENT DOCUMENTS

- D387,914 S * 12/1997 Beermann et al. D6/356
- D391,087 S * 2/1998 Sacco et al. D6/356
- D411,377 S * 6/1999 Sacco et al. D6/356

- 5,967,612 A * 10/1999 Takei 297/391
- 6,056,358 A * 5/2000 De Fillippo 297/391
- D440,062 S * 4/2001 Tsay D6/356
- 6,220,667 B1 * 4/2001 Wagner 297/391
- D442,376 S * 5/2001 Norman D6/356

* cited by examiner

Primary Examiner—Doris V. Coles

Assistant Examiner—Mimosa De

(74) *Attorney, Agent, or Firm*—Banner & Witcoff, Ltd.

(57) **CLAIM**

The ornamental design for a vehicle seat, as shown and described.

DESCRIPTION

FIG. 1 is a front perspective view of the vehicle seat showing my new design;

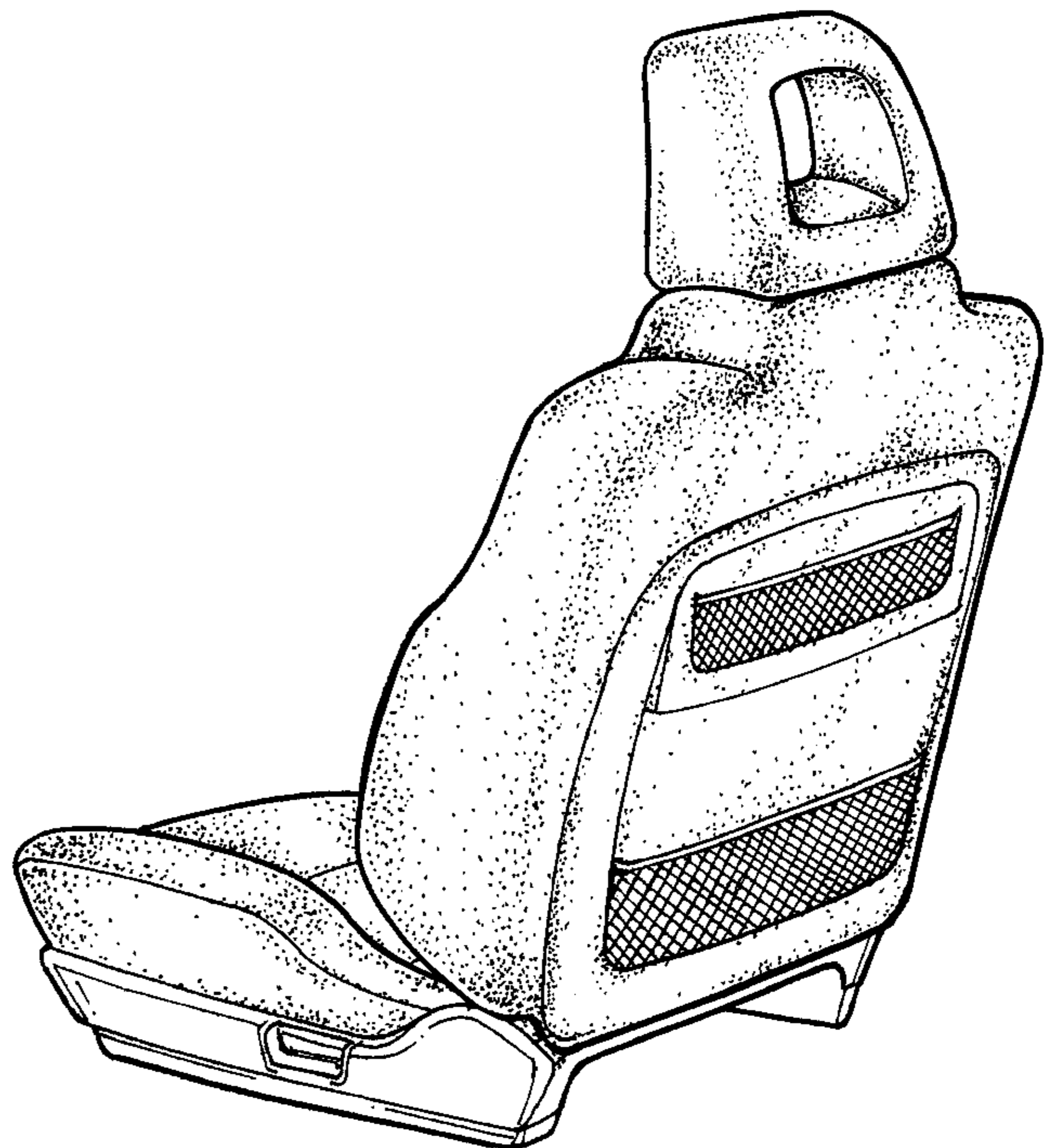
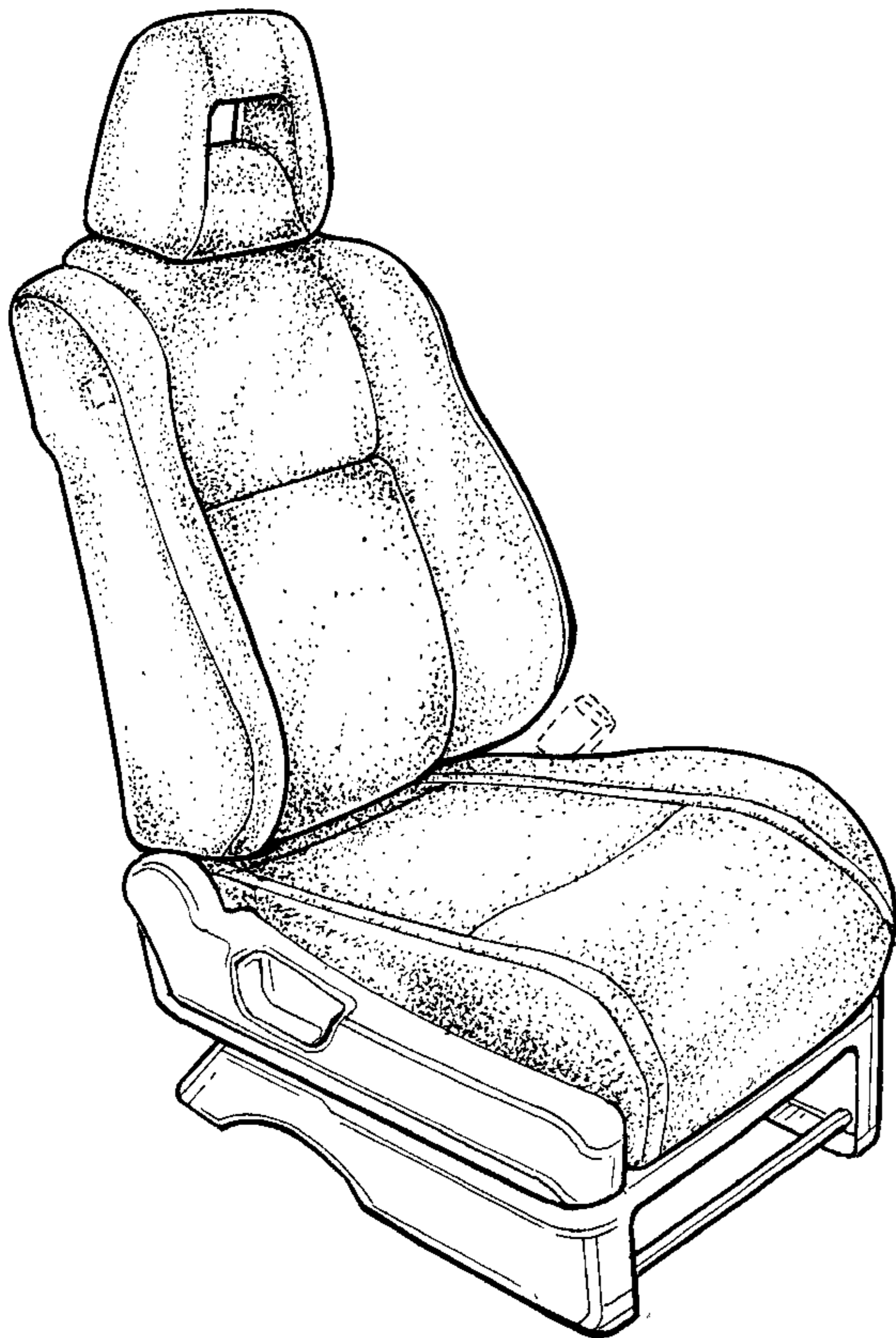
FIG. 2 is a side perspective view of one side thereof;

FIG. 3 is a rear perspective view thereof; and,

FIG. 4 is a side elevational view of the other side thereof.

The broken lines showings of the seat buckle are for illustrative purposes only and form no part of the claimed design.

1 Claim, 2 Drawing Sheets



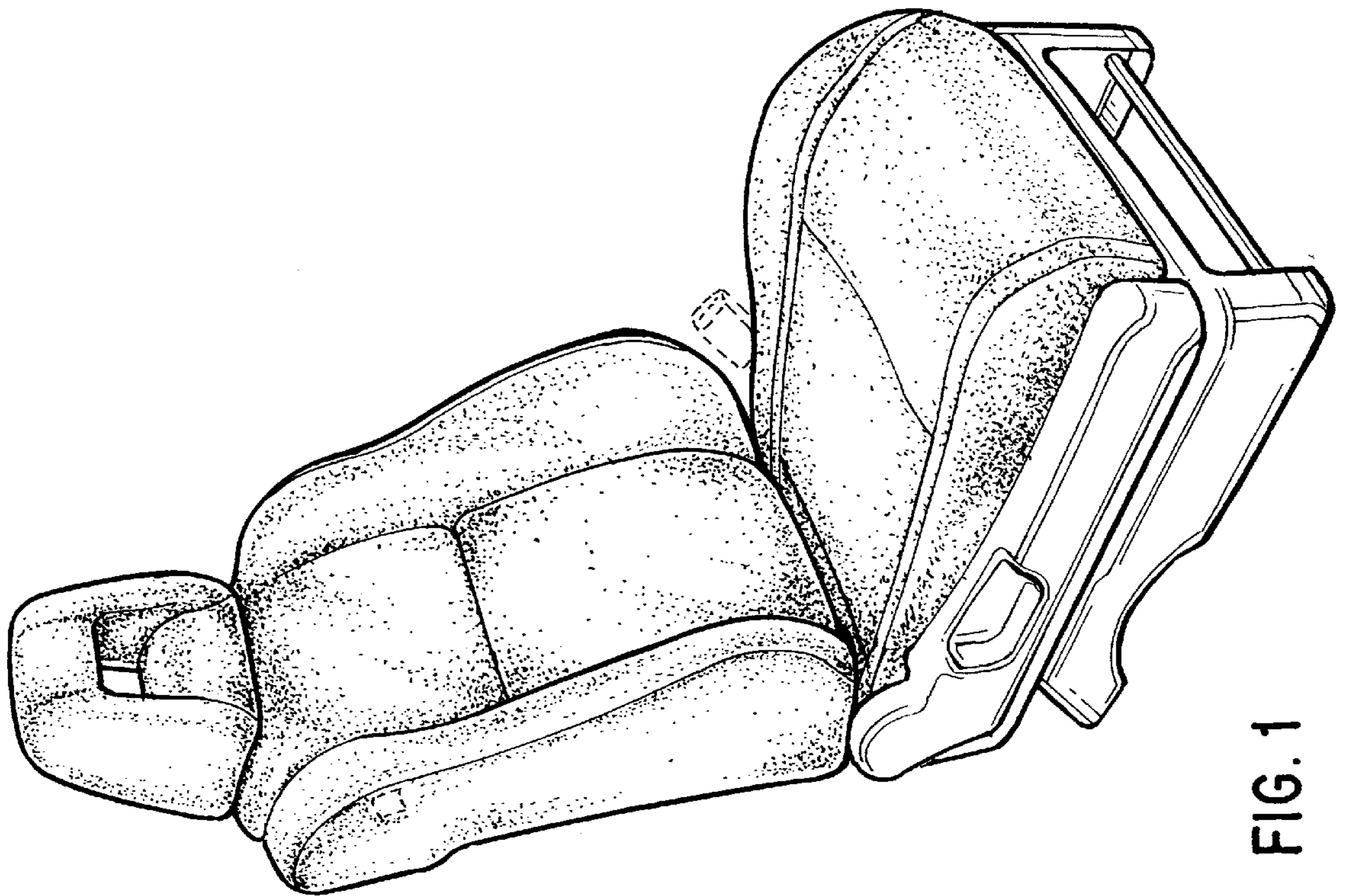


FIG. 1

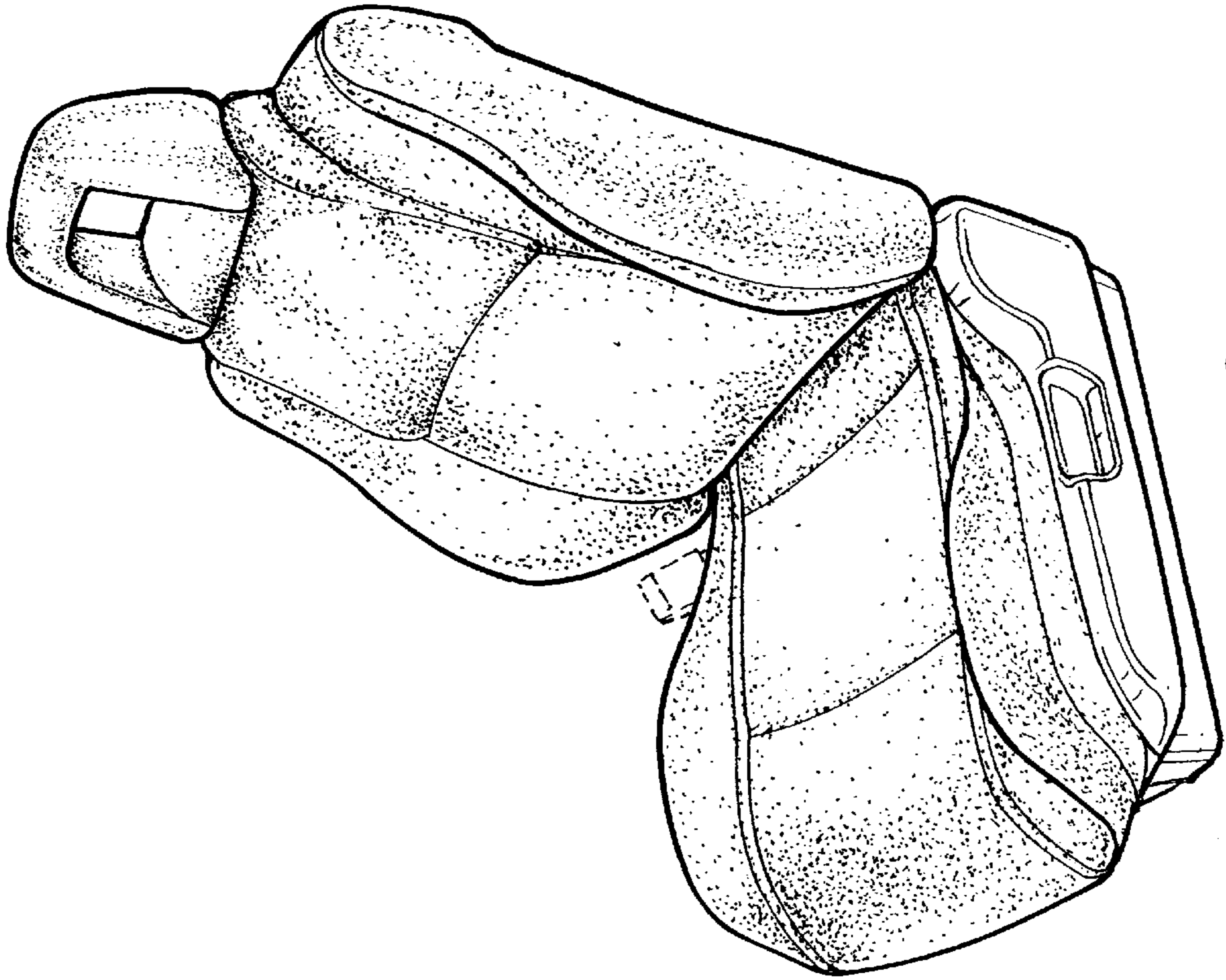


FIG. 2

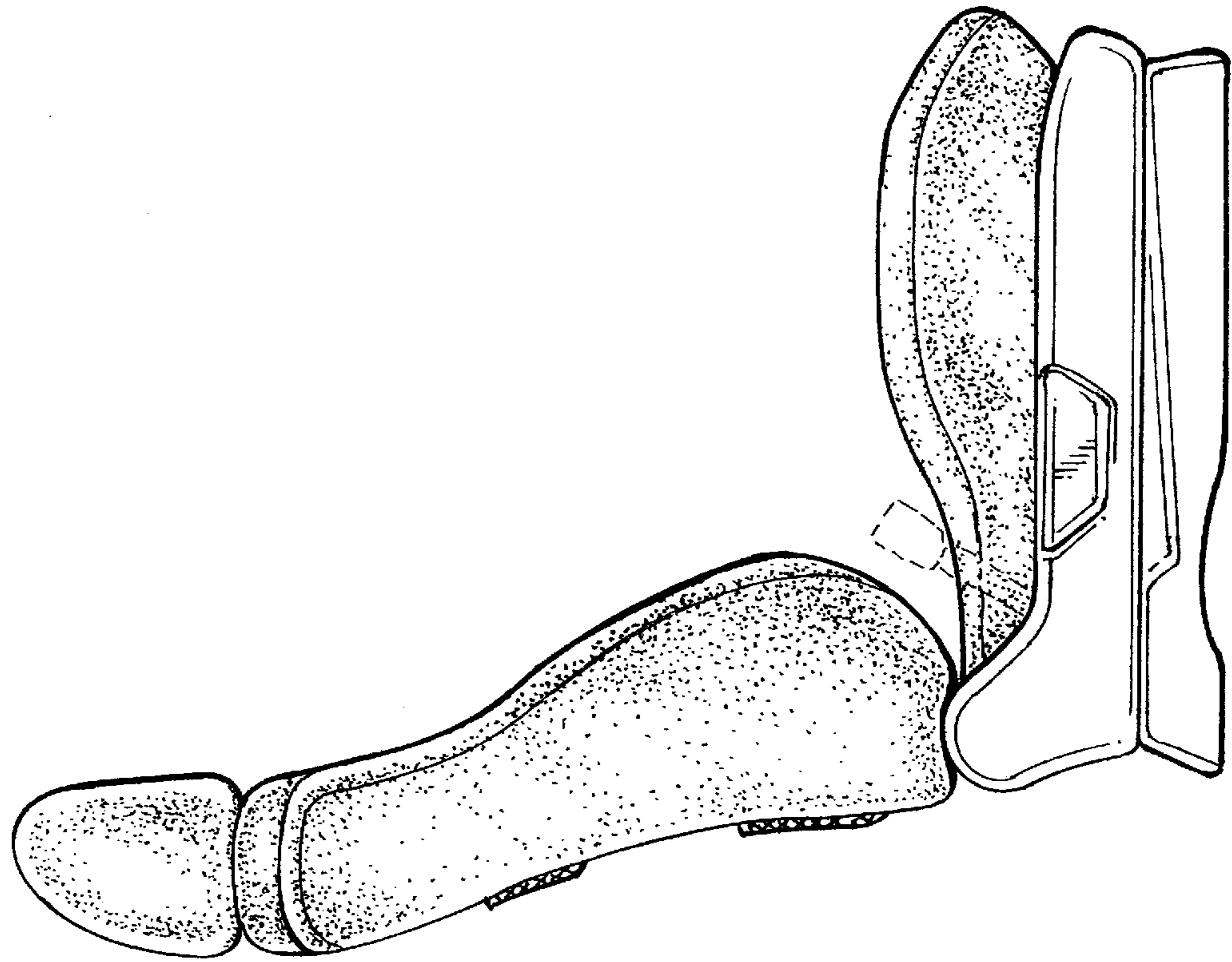


FIG. 4

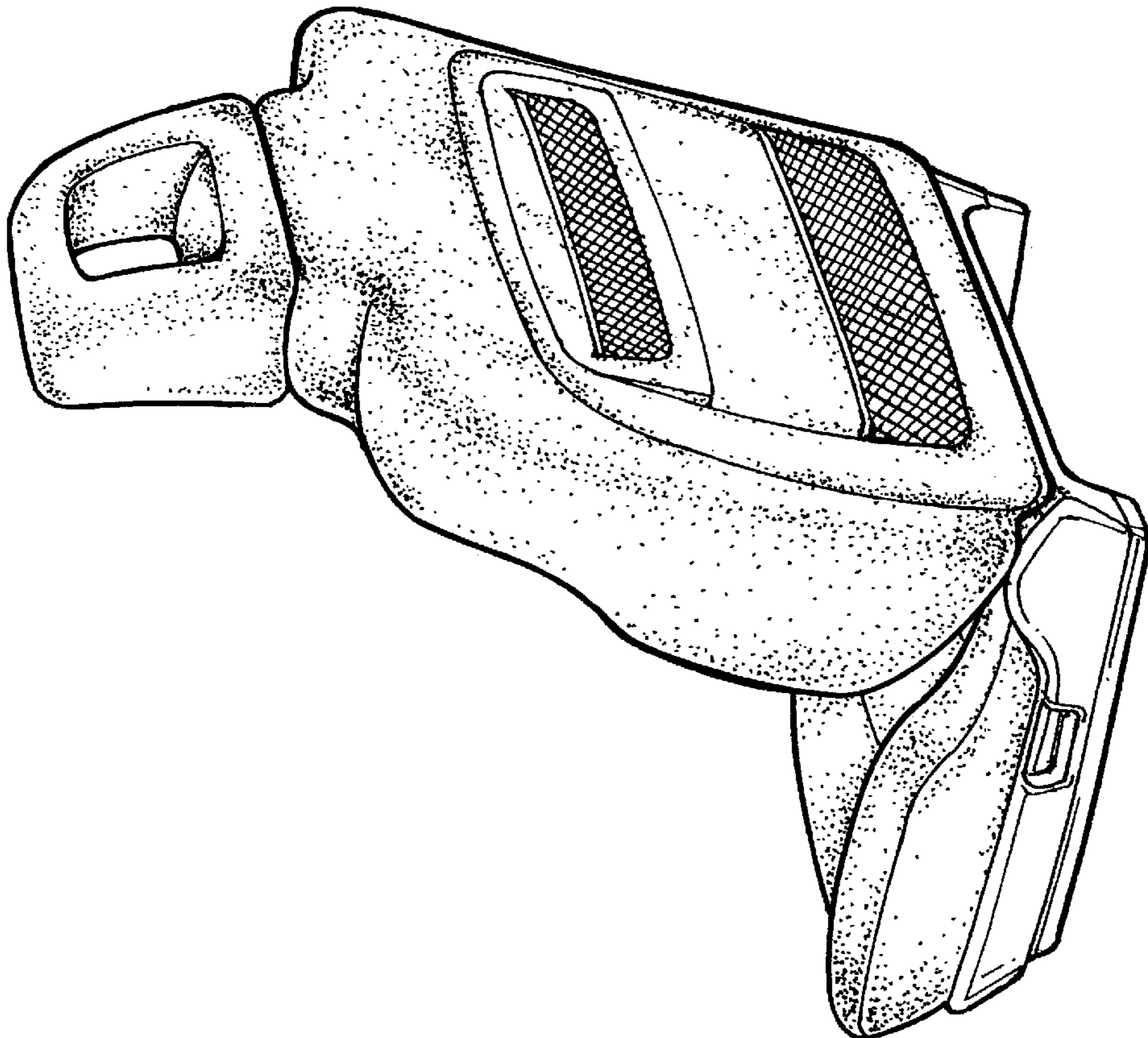


FIG. 3