



US00D460277S

(12) **United States Design Patent**
Lee

(10) **Patent No.:** **US D460,277 S**

(45) **Date of Patent:** **** Jul. 16, 2002**

(54) **SCREEN UNIT**

(76) **Inventor:** **Han-Sen Lee**, 98-1, Show-Tsuo St.,
Show-Tsuo Village, Fu-Hsing Hsiang,
Chang-Hwa Hsien (TW)

(**) **Term:** **14 Years**

(21) **Appl. No.:** **29/140,365**

(22) **Filed:** **Apr. 16, 2001**

(51) **LOC (7) Cl.** **06-04**

(52) **U.S. Cl.** **D6/332**

(58) **Field of Search** D6/332; D25/47,
D25/49, 53; 52/473; 108/50.11, 60, 61;
160/113, 130, 135, 180, 185, 187, 236,
104; 211/180

(56) **References Cited**

U.S. PATENT DOCUMENTS

188,570	A	*	3/1877	Beidler	D25/47	X
652,558	A	*	6/1900	Hickok	D25/47	X
802,000	A	*	10/1905	Lorenz	D25/47	X
1,701,695	A	*	2/1929	Paine	D25/53	X
D181,519	S	*	11/1957	Devereux	D25/47	
2,938,248	A	*	5/1960	Hadary	D25/58	X
3,163,893	A	*	1/1965	Norenberg	D25/47	X
D202,177	S	*	9/1965	Blau et al.	D25/49	
D211,862	S	*	8/1968	Stanfield, Jr.	D25/47	
3,429,070	A	*	2/1969	Hurst	D25/47	X
D236,869	S	*	9/1975	Levy	D6/332	
4,095,860	A	*	6/1978	Henson	312/242	

D304,497	S	*	11/1989	Briggs, Sr.	D25/47	
4,912,866	A	*	4/1990	Bannister et al.	40/605	
5,490,353	A	*	2/1996	McLaughlin	D25/47	X
D399,324	S	*	10/1998	Tazbaz	D25/47	
6,095,226	A	*	8/2000	Chen et al.	160/135	
D435,115	S	*	12/2000	Jean	D25/47	

* cited by examiner

Primary Examiner—Cathron C. Brooks

(74) *Attorney, Agent, or Firm*—Curtis L. Harrington

(57) **CLAIM**

The ornamental design for a screen unit, as shown and described.

DESCRIPTION

FIG. 1 is a rear perspective view of the screen unit, showing the control handle side, and shown in a partially folded and partially expanded position, and shown with a joined set of lower louvers opened to admit light and air;
 FIG. 2 is a front perspective view thereof;
 FIG. 3 is an enlarged partial rear view of one of the panels, shown separately for clarity of illustration, and shown with the bottom section of louvers partially open;
 FIG. 4 is a front view of FIG. 3;
 FIG. 5 is a right side view of FIG. 3;
 FIG. 6 is a left side view of FIG. 3, but shown with the bottom louvers closed;
 FIG. 7 is a top view of FIG. 1; and,
 FIG. 8 is a bottom view of FIG. 1.

1 Claim, 5 Drawing Sheets

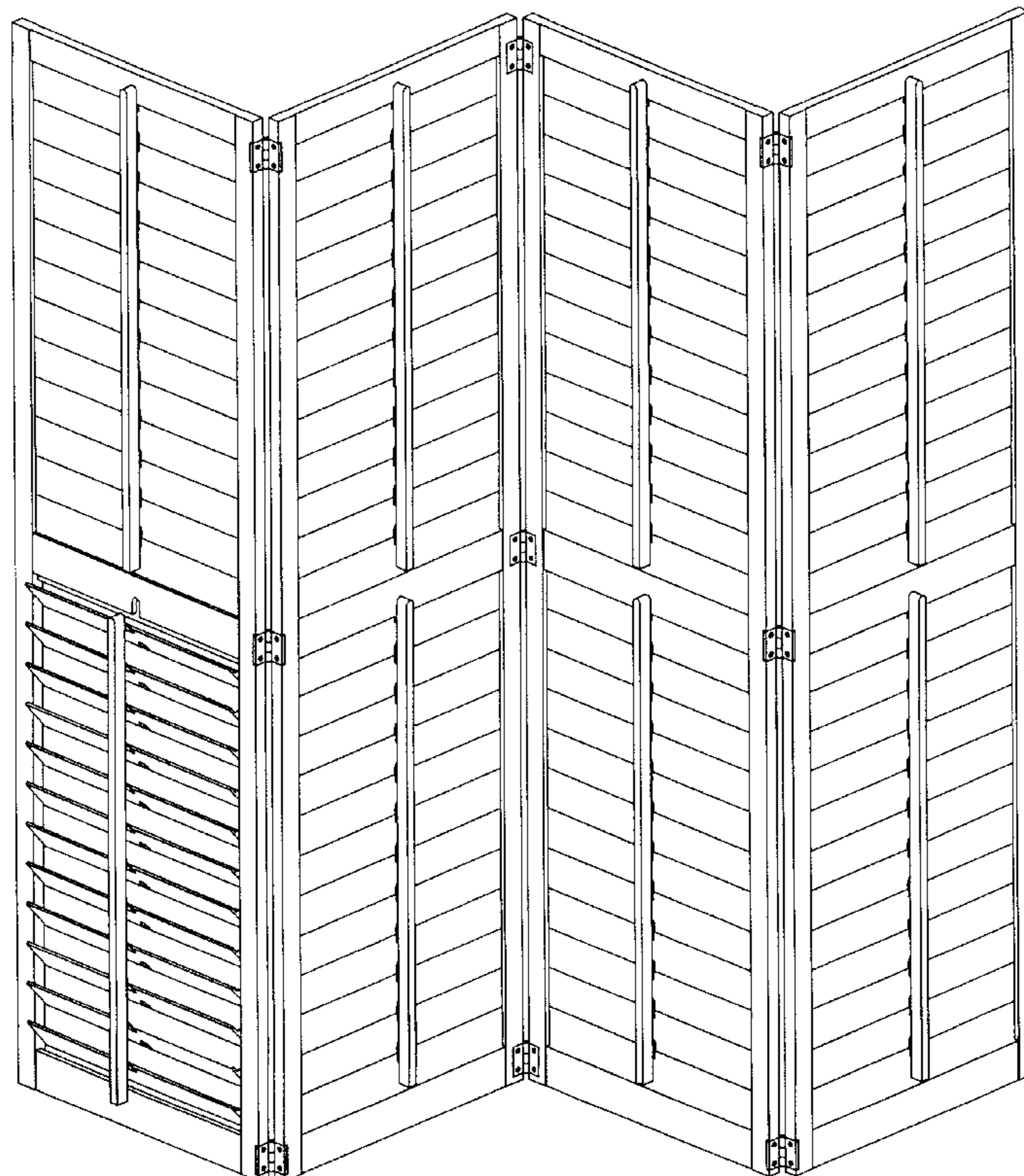


Fig. 1

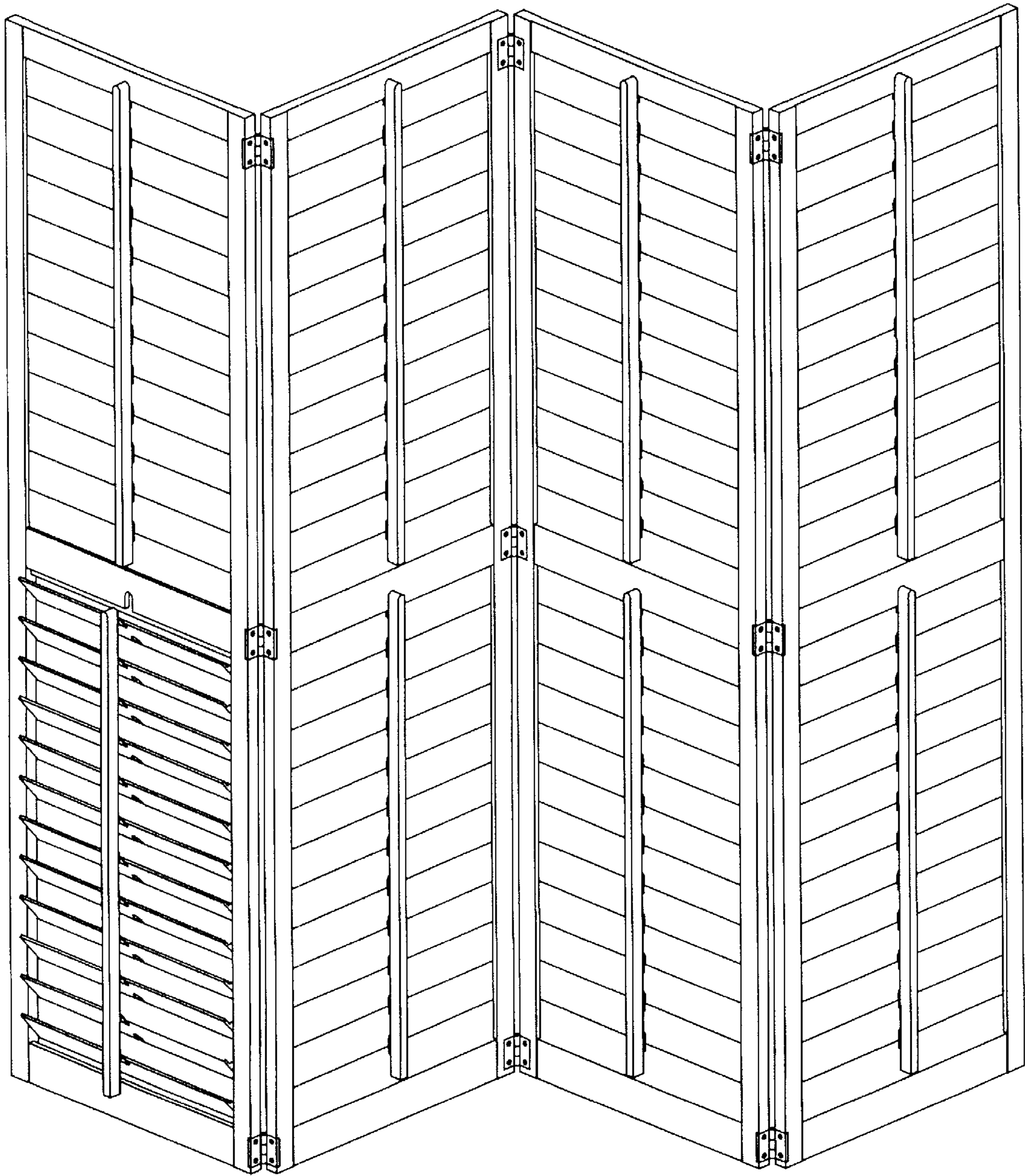


Fig. 2

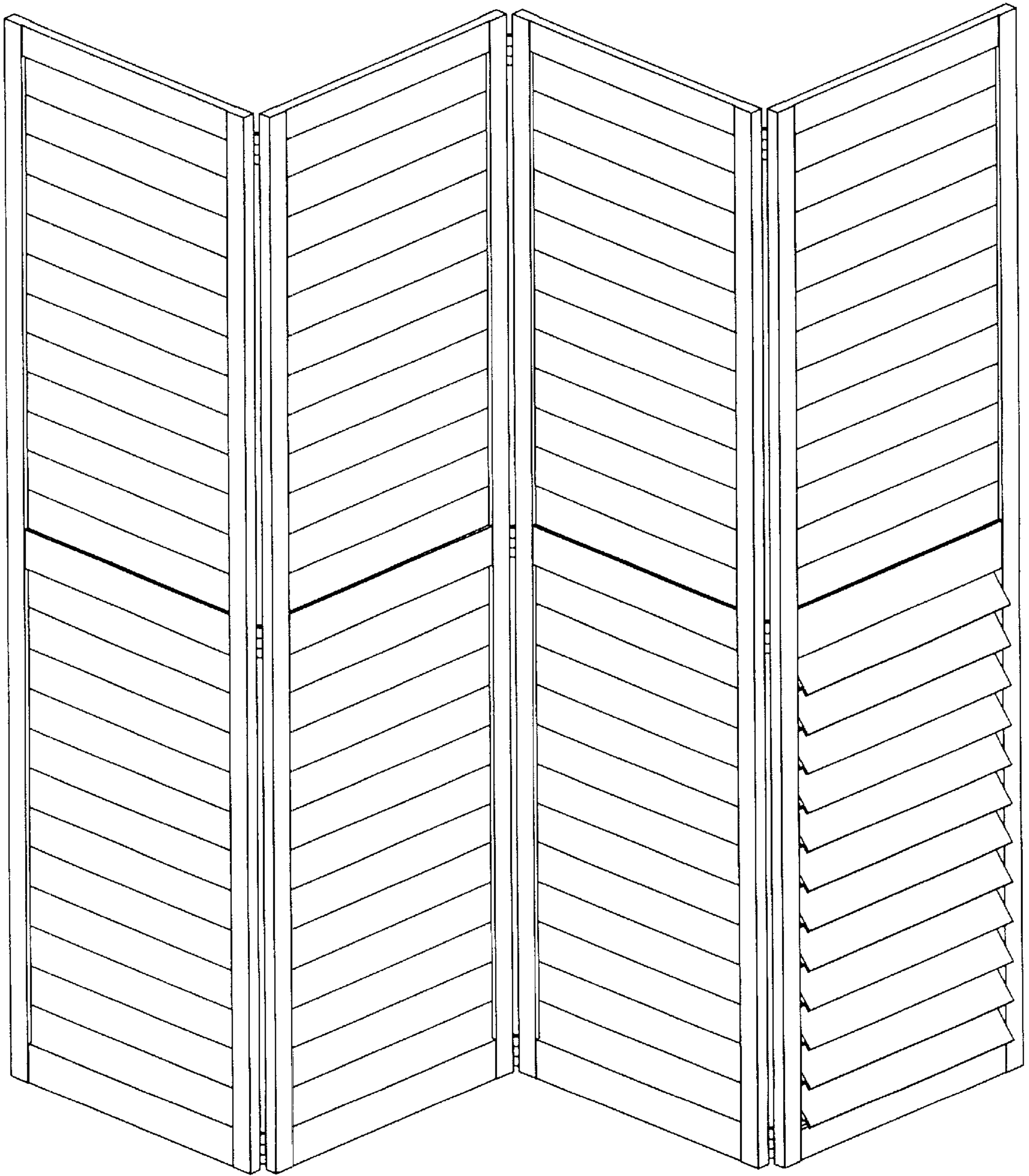


Fig. 3

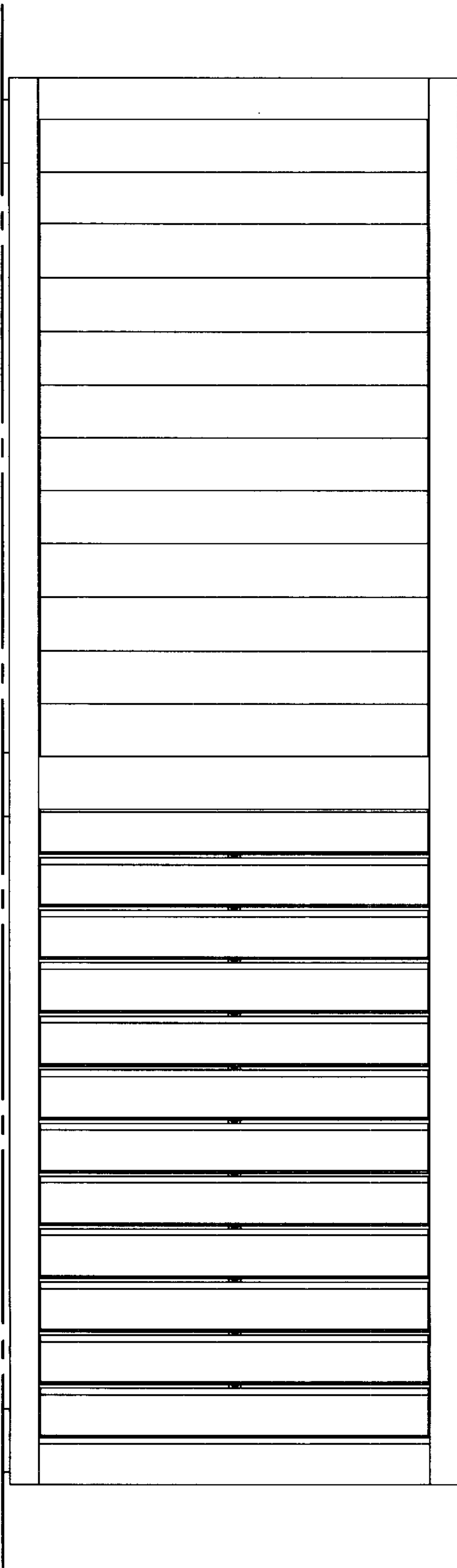


Fig. 4

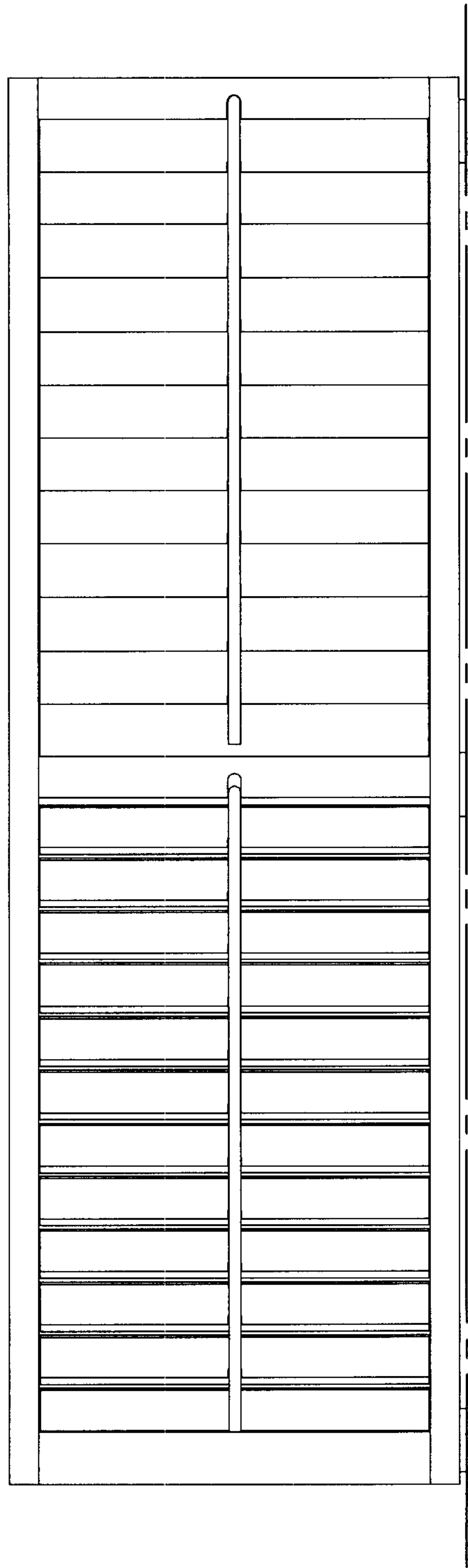


Fig. 5

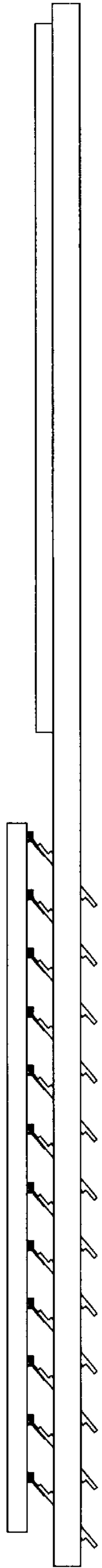
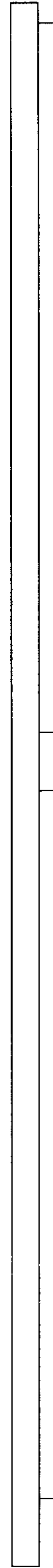


Fig. 6



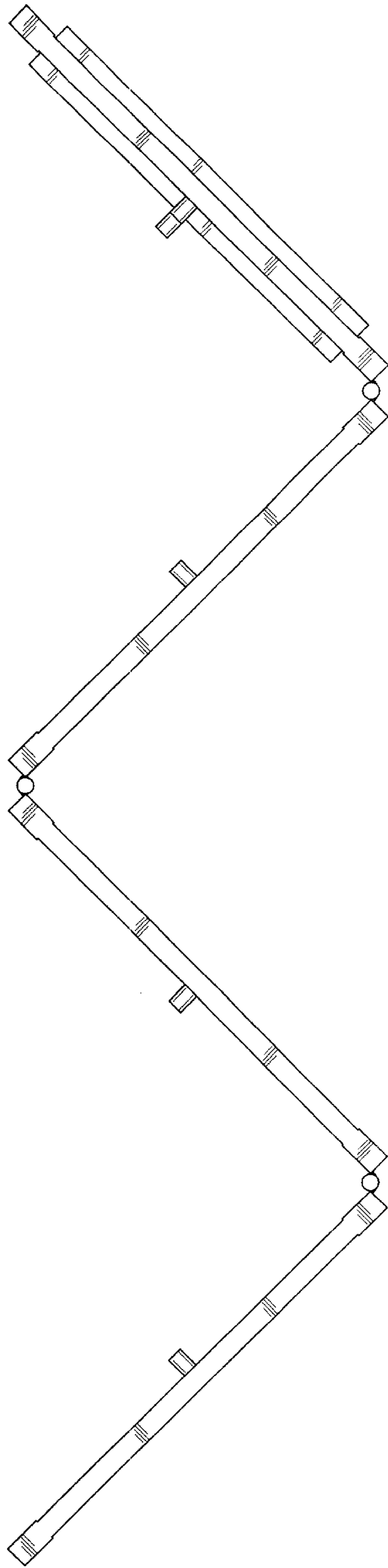


Fig. 7

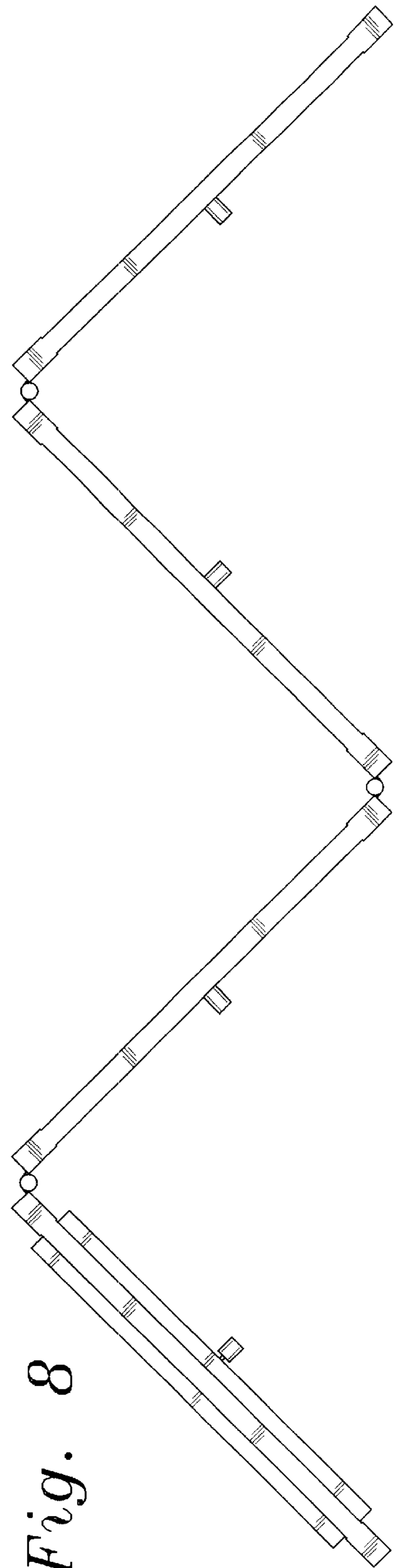


Fig. 8