



US00D460274S

(12) **United States Design Patent**
Bennie et al.

(10) **Patent No.:** **US D460,274 S**

(45) **Date of Patent:** **** Jul. 16, 2002**

(54) **SCREEN FRAME**

(75) Inventors: **William B. Bennie**, Grand Rapids;
David J. Luzenske, Kalamazoo, both
of MI (US)

(73) Assignee: **Steelcase Development Corporation**,
Caledonia, MI (US)

(**) Term: **14 Years**

(21) Appl. No.: **29/146,579**

(22) Filed: **Aug. 10, 2001**

Related U.S. Application Data

(62) Division of application No. 29/130,560, filed on Oct. 4,
2000, now Pat. No. Des. 449,169.

(51) **LOC (7) Cl.** **06-07**

(52) **U.S. Cl.** **D6/313; D6/462; D6/332**

(58) **Field of Search** D6/332, 300, 312,
D6/313, 420, 462, 495, 496; D19/52, 88,
91; D8/349, 354, 373; 248/460, 463, 465.1,
166, 97, 99-100

(56) **References Cited**

U.S. PATENT DOCUMENTS

D118,443 S * 1/1940 Fisk et al. D6/313
2,806,526 A 9/1957 Marcus 160/135
D236,870 S 9/1975 Levy D6/332
4,175,602 A * 11/1979 Cavalaris et al. 248/99 X

D257,602 S 12/1980 Cyplik D6/332 X
D300,804 S * 4/1989 Myers D8/373
5,029,784 A * 7/1991 Blahout 248/460
D399,063 S 10/1998 Verbeek et al. D6/332
D405,963 S * 2/1999 Arbak D6/300
D405,976 S 2/1999 Beall D6/332
5,966,857 A 10/1999 Pettersson et al. 40/606
D415,901 S 11/1999 Arko et al. D6/332
D418,693 S * 1/2000 Kopala, Jr. D6/462

* cited by examiner

Primary Examiner—Nanda Bondade

(74) *Attorney, Agent, or Firm*—Foley & Lardner

(57) **CLAIM**

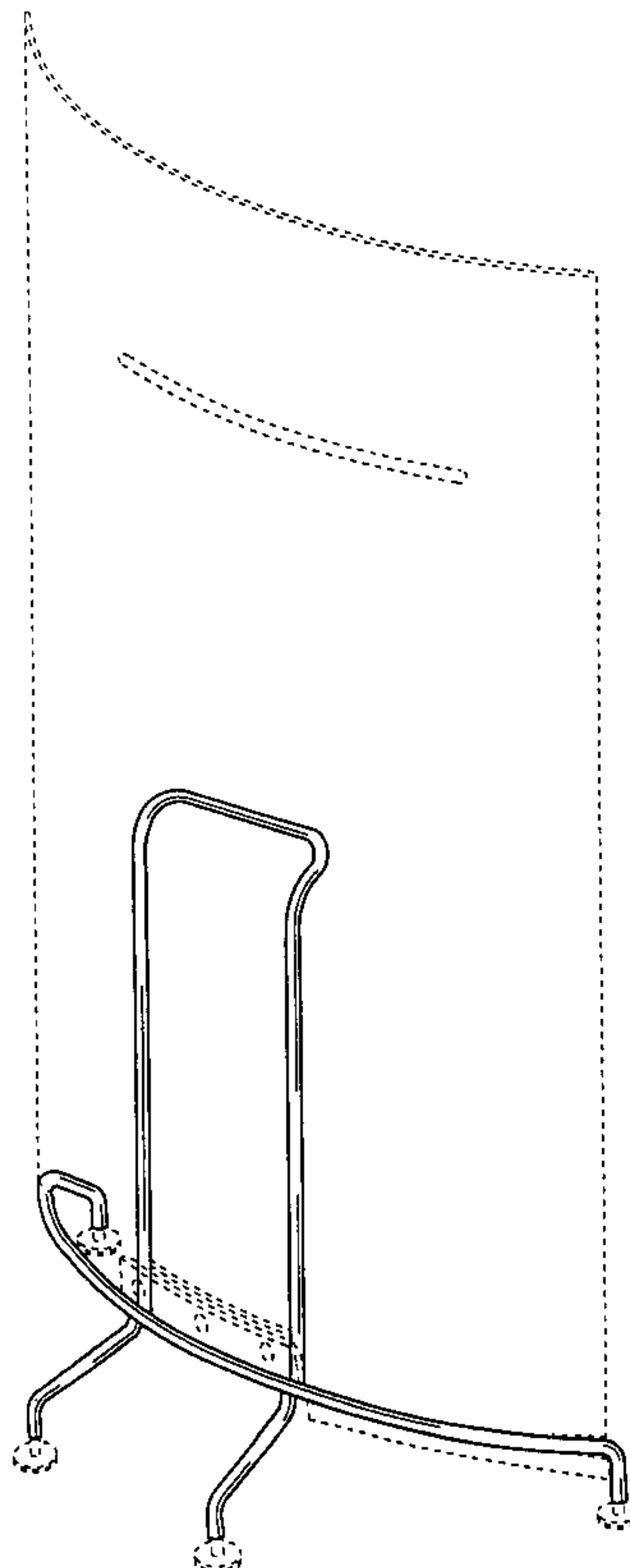
The ornamental design for a screen frame, as shown and
described.

DESCRIPTION

FIG. 1 is a perspective view of a screen frame showing our
new design;
FIG. 2 is a rear perspective view thereof;
FIG. 3 is a front elevational view thereof;
FIG. 4 is a rear elevational view thereof;
FIG. 5 is a left side elevational view thereof;
FIG. 6 is a right side elevational view thereof;
FIG. 7 is a top plan view thereof; and,
FIG. 8 is a bottom plan view thereof.

The broken line disclosure is for illustrative purposes only
and forms no part of the claimed design.

1 Claim, 7 Drawing Sheets



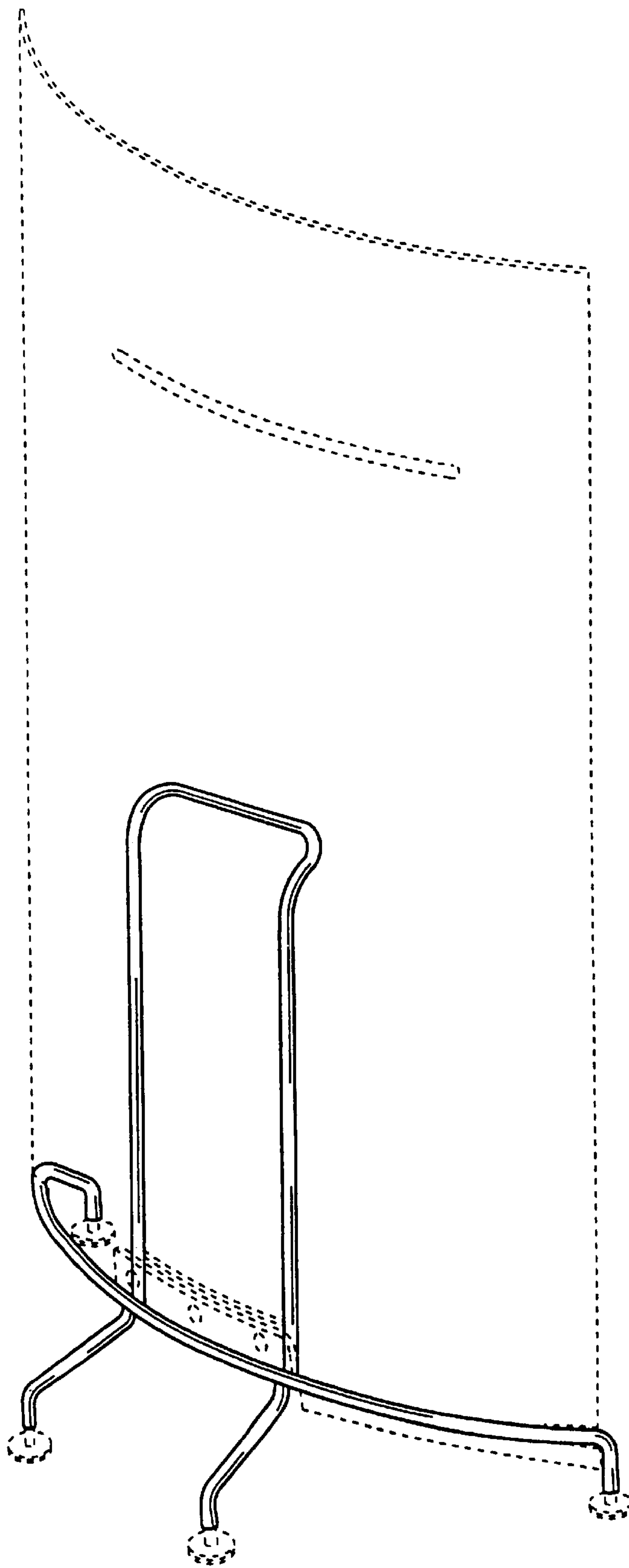


FIG. 1

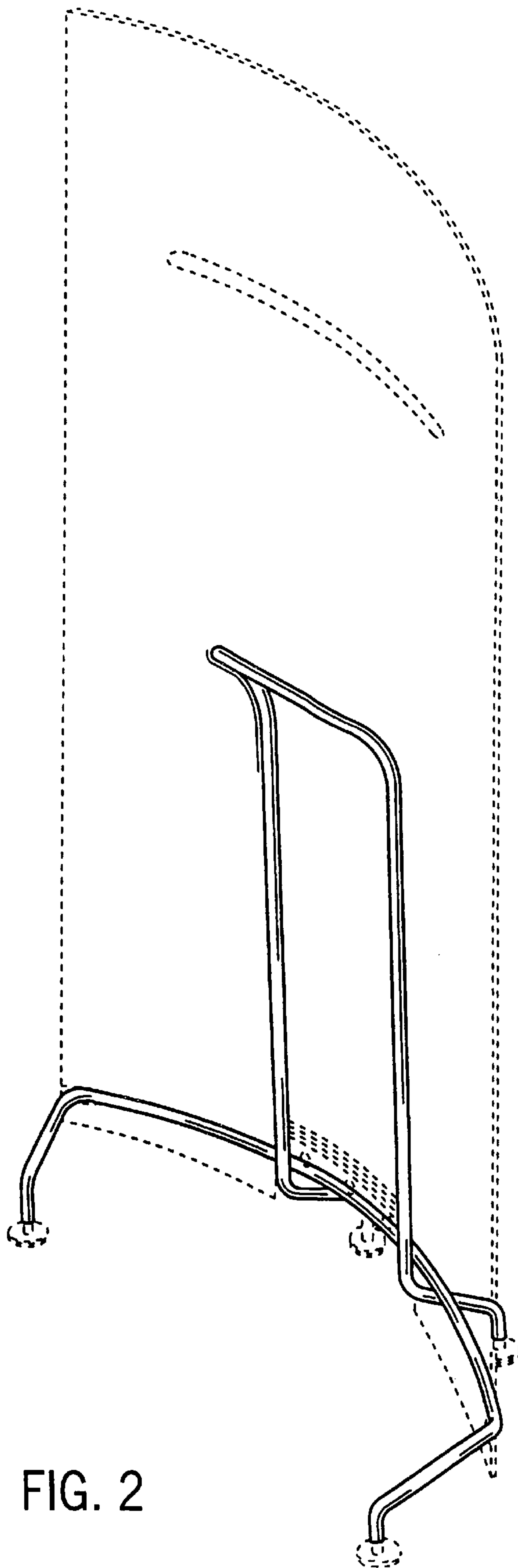


FIG. 2

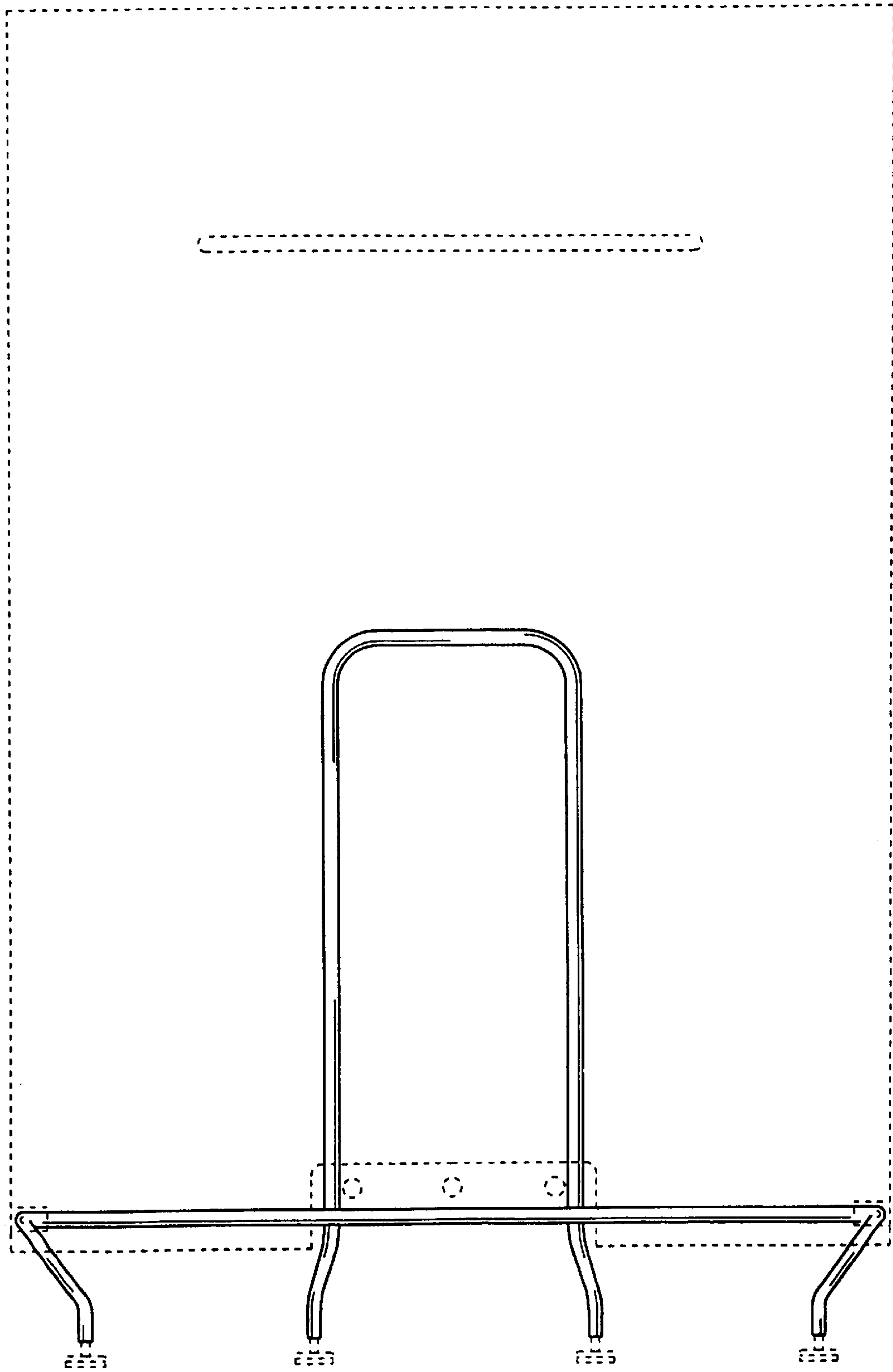


FIG. 3

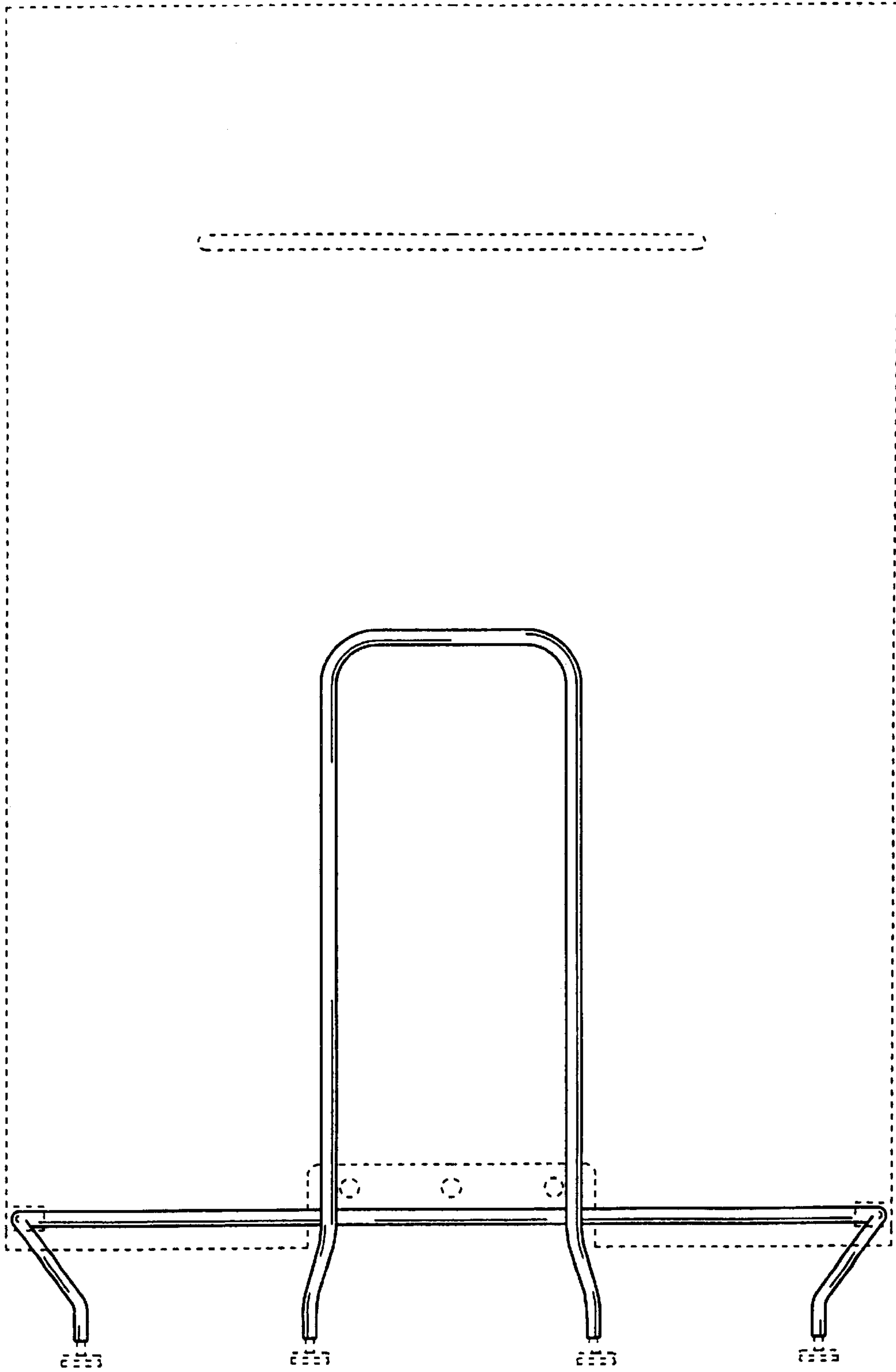


FIG. 4

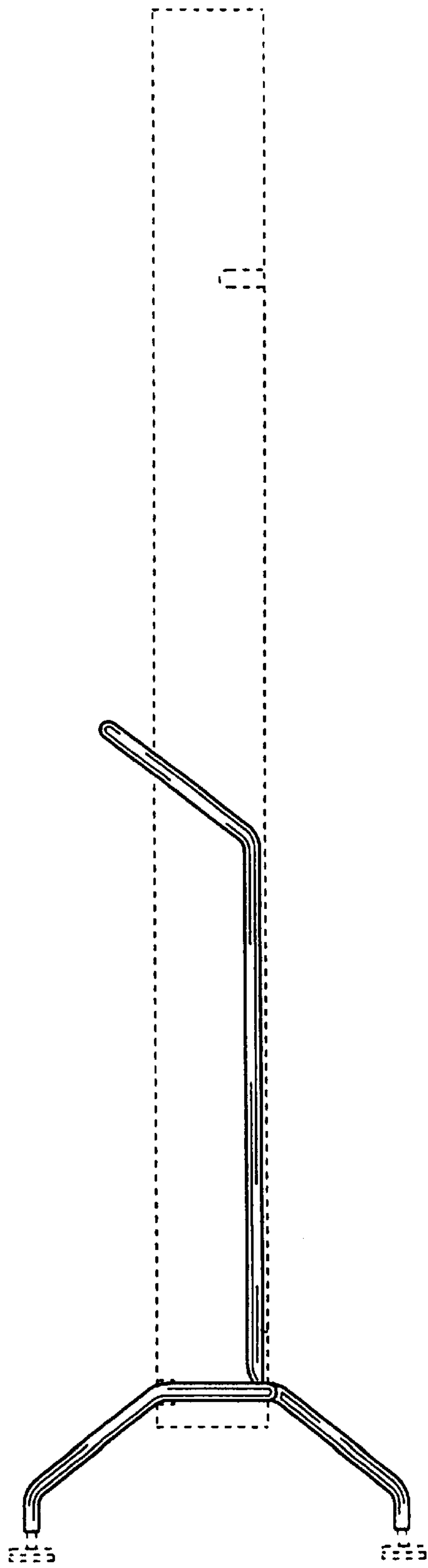


FIG. 5

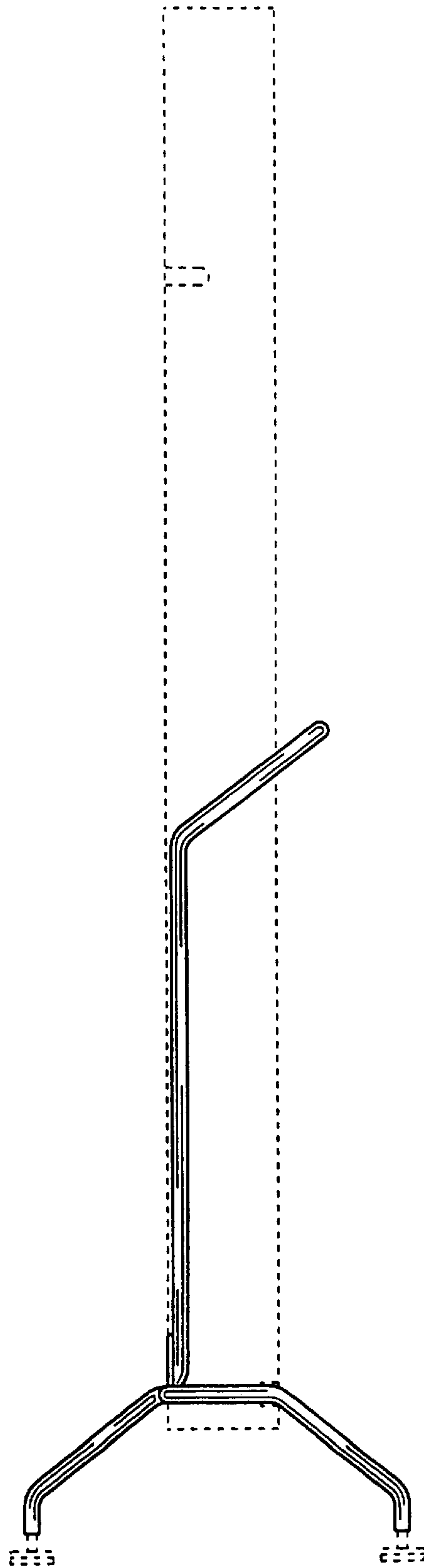


FIG. 6

FIG. 7

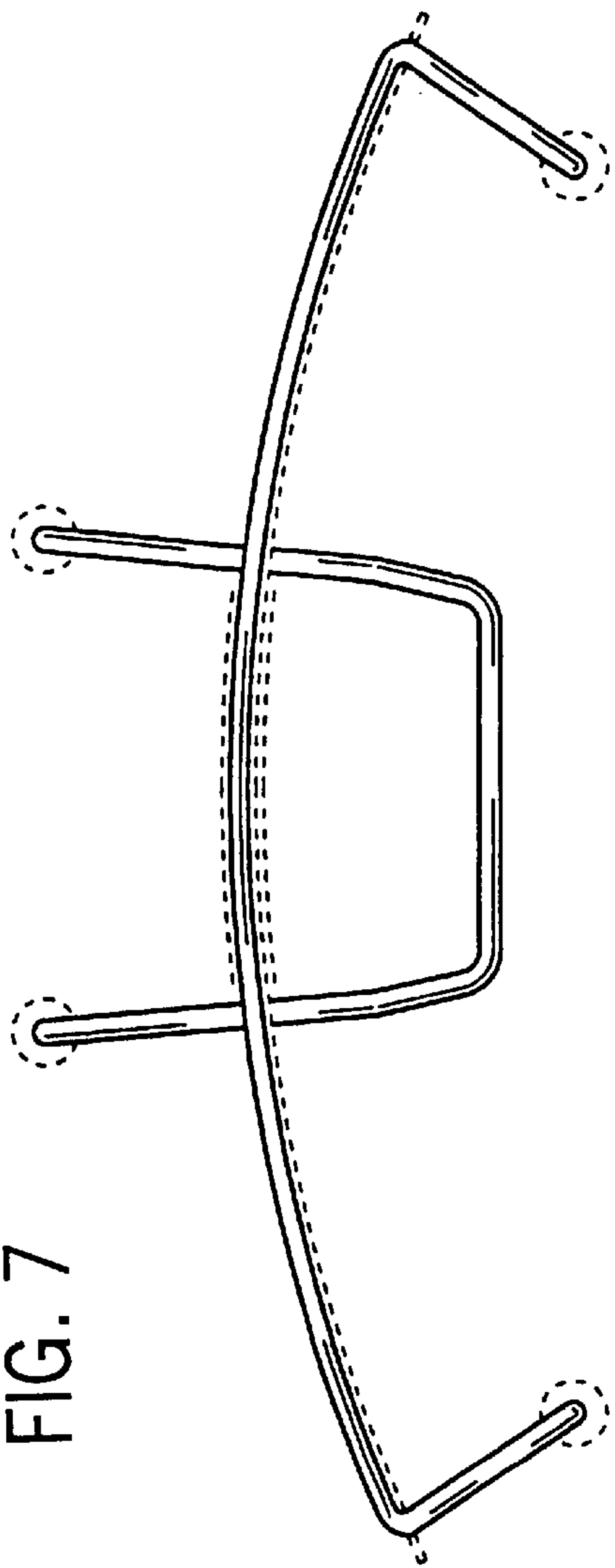


FIG. 8

