



US00D460269S

(12) **United States Design Patent**  
**Palumbo**

(10) **Patent No.:** **US D460,269 S**

(45) **Date of Patent:** **\*\* Jul. 16, 2002**

(54) **ROTATABLE HEAD TOOTHBRUSH**

**DESCRIPTION**

- (75) Inventor: **Frank T. Palumbo**, 572 Thrush Ct., Yardley, PA (US) 19067
- (73) Assignee: **Frank T. Palumbo**, Yardley, PA (US)
- (\*\*) Term: **14 Years**
- (21) Appl. No.: **29/148,192**
- (22) Filed: **Sep. 17, 2001**
- (51) **LOC (7) Cl.** ..... **04-02**
- (52) **U.S. Cl.** ..... **D4/104**
- (58) **Field of Search** ..... D4/104-112, 132-134, D4/138; 15/143.1, 159.1, 160, 167.1, 186, 187; 132/308; 601/139, 141

FIG. 1 is a perspective view of a rotatable head toothbrush in accordance with the present invention, in its centered position;

FIG. 2 is a top elevational view thereof, in its centered position;

FIG. 3 is a bottom elevational view thereof, in its centered position;

FIG. 4 is a left side elevational view thereof in its centered position, the right side elevational view being a mirror image thereof;

FIG. 5 is a front plan view thereof in its centered position;

FIG. 6 is a rear plan view thereof in its centered position;

FIG. 7 is a perspective view of the rotatable head toothbrush in accordance with the present invention, with the head rotated to the right, the left side rotation of the head shown in phantom;

FIG. 8 is a top elevational view of the arrangement of FIG. 7, with the toothbrush head rotated to the right, the left side rotation shown in phantom;

FIG. 9 is a bottom elevational view of the arrangement of FIG. 7, with the toothbrush head rotated to the right, the left side rotation shown in phantom;

FIG. 10 is a left side elevational view of the arrangement of FIG. 7;

FIG. 11 is a right side elevational view of the arrangement of FIG. 7;

FIG. 12 is a front elevational view of the arrangement of FIG. 7, with the toothbrush head rotated to the right, the left side rotation shown in phantom; and,

FIG. 13 is a rear elevational view of the arrangement of FIG. 7, with the toothbrush head rotated to the right, the left side rotation shown in phantom.

(56) **References Cited**

**U.S. PATENT DOCUMENTS**

1,092,014 A *	3/1914	Briggs .....	15/106
3,868,742 A *	3/1975	Brenner .....	15/106
4,731,896 A *	3/1988	De La Tour .....	15/106
4,788,734 A *	12/1988	Bauer .....	15/106
D429,888 S	8/2000	Coopersmith et al.	
D441,958 S	5/2001	Rueb	
D444,951 S	7/2001	Harada	

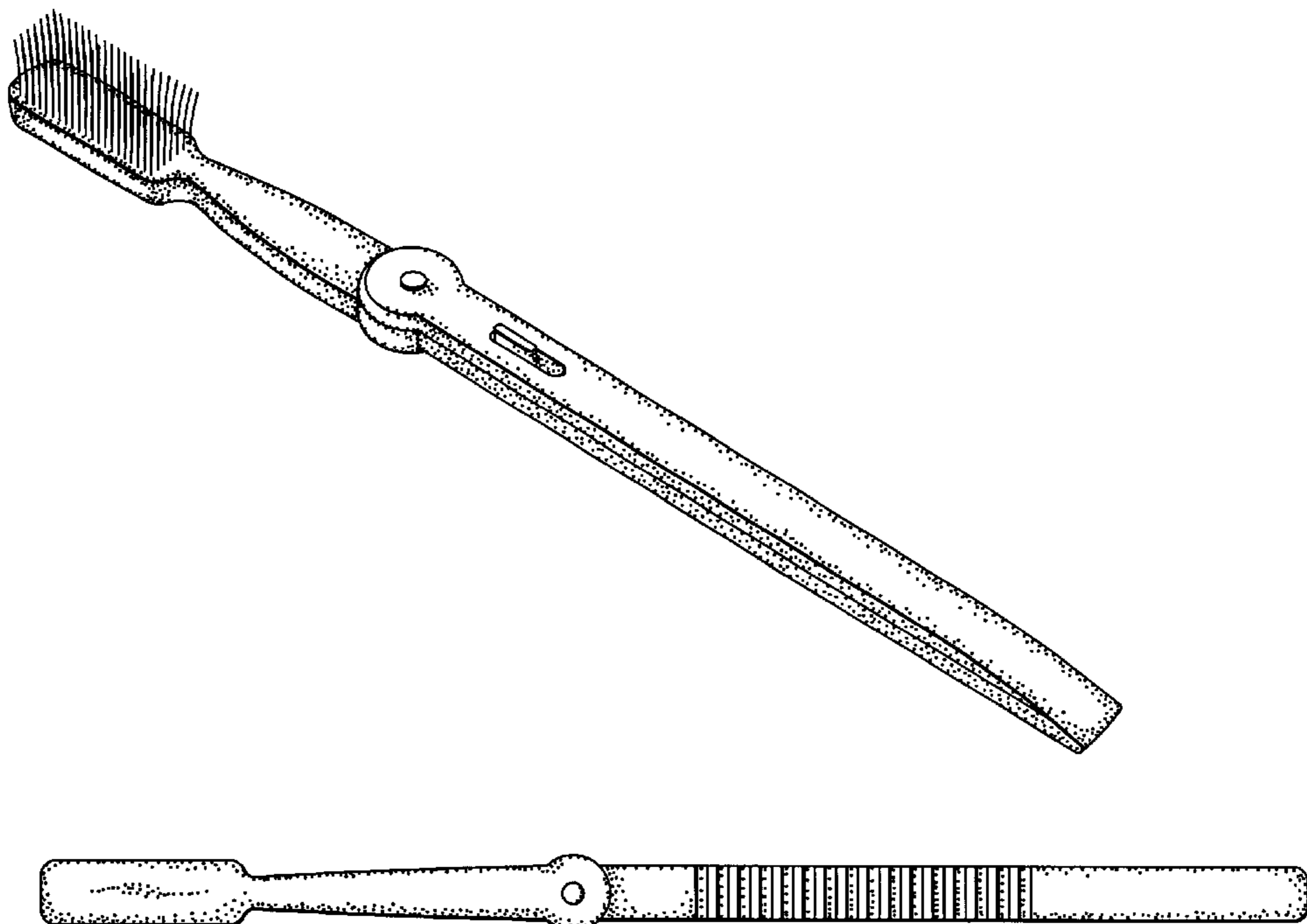
\* cited by examiner

*Primary Examiner*—Lisa Lichtenstein

(57) **CLAIM**

The ornamental design for a rotatable head toothbrush, as shown.

**1 Claim, 4 Drawing Sheets**



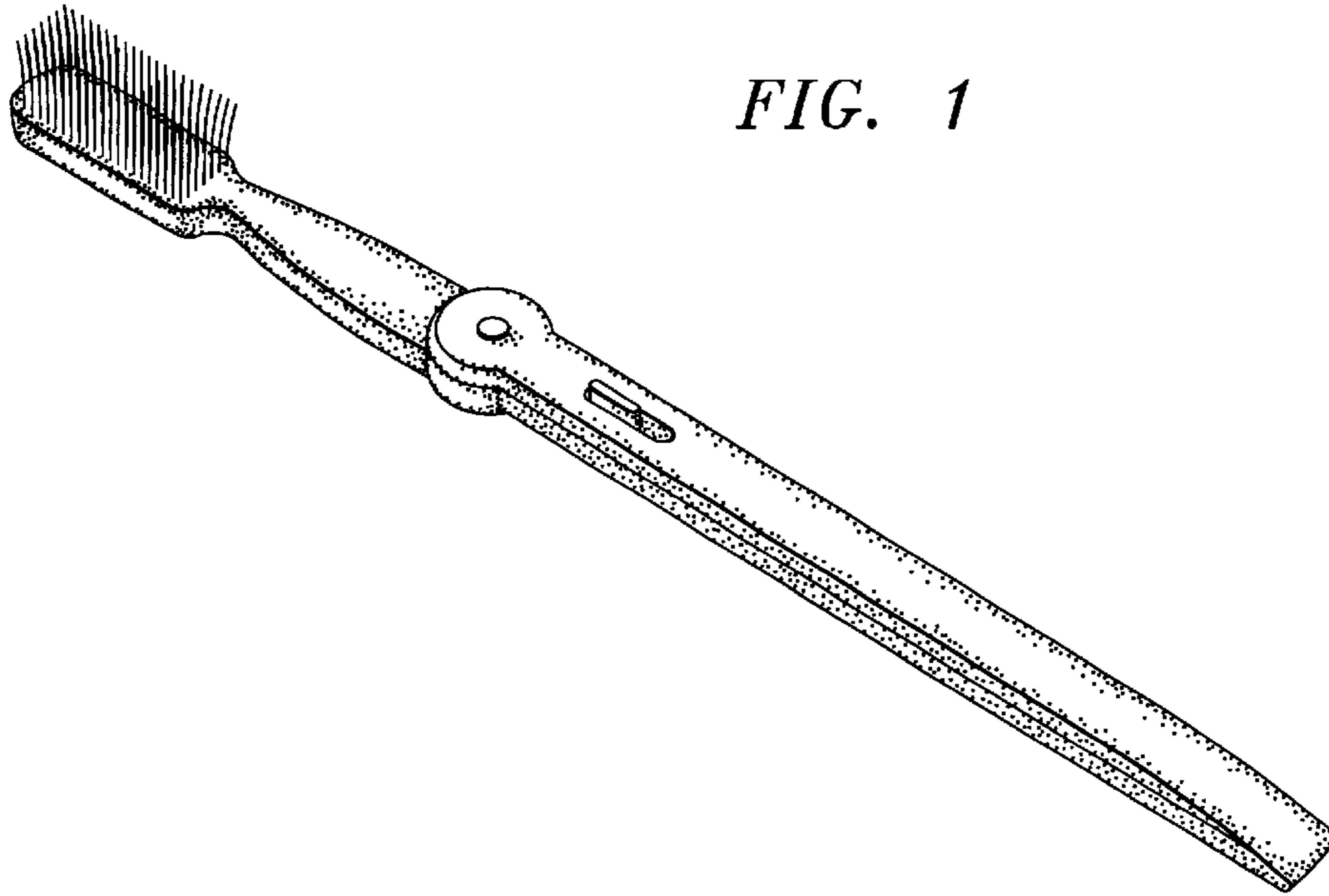


FIG. 1



FIG. 2



FIG. 3

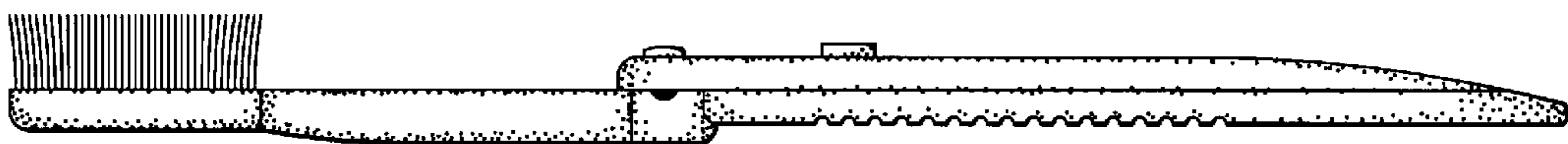


FIG. 4

FIG. 5



FIG. 6



FIG. 7

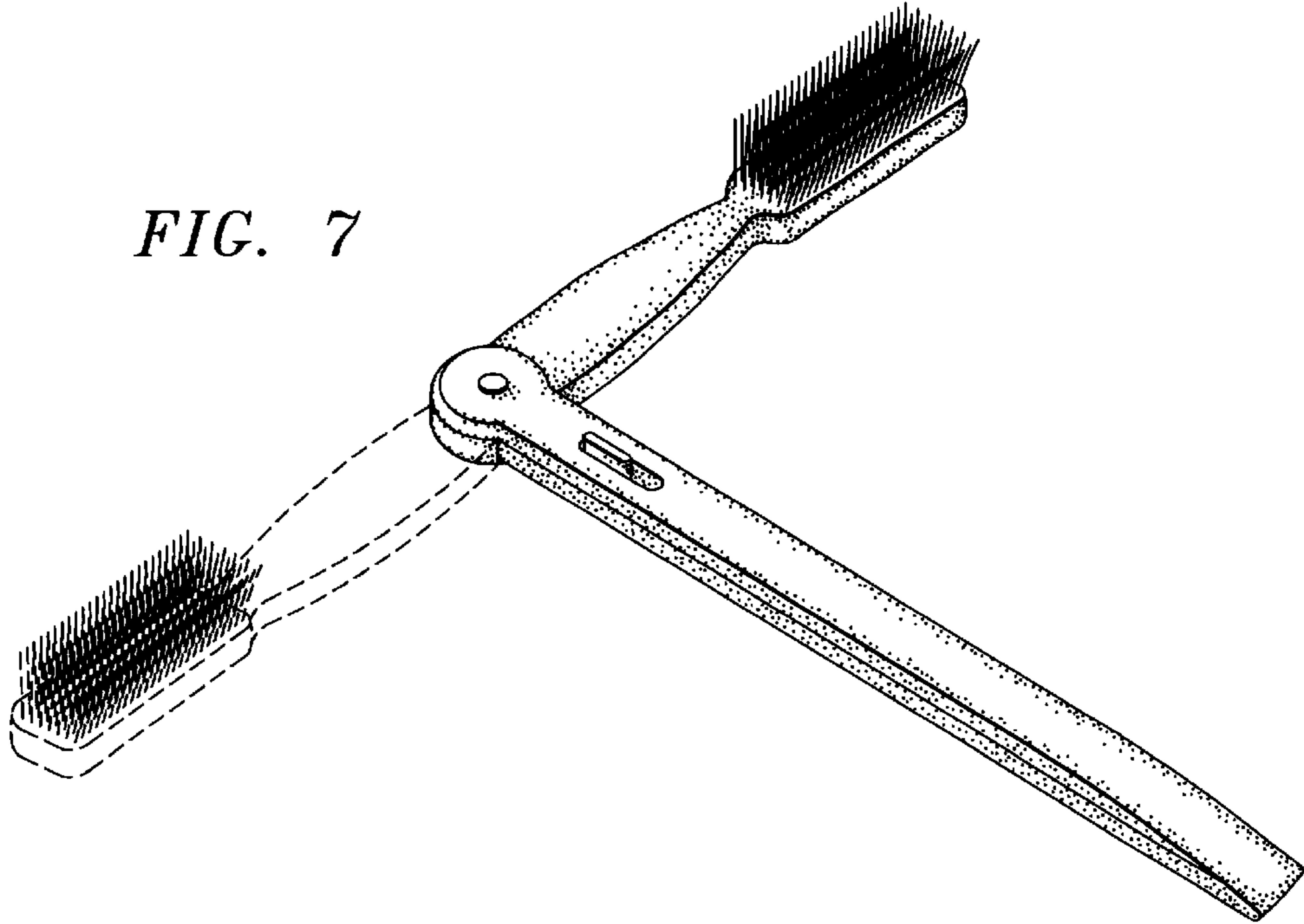
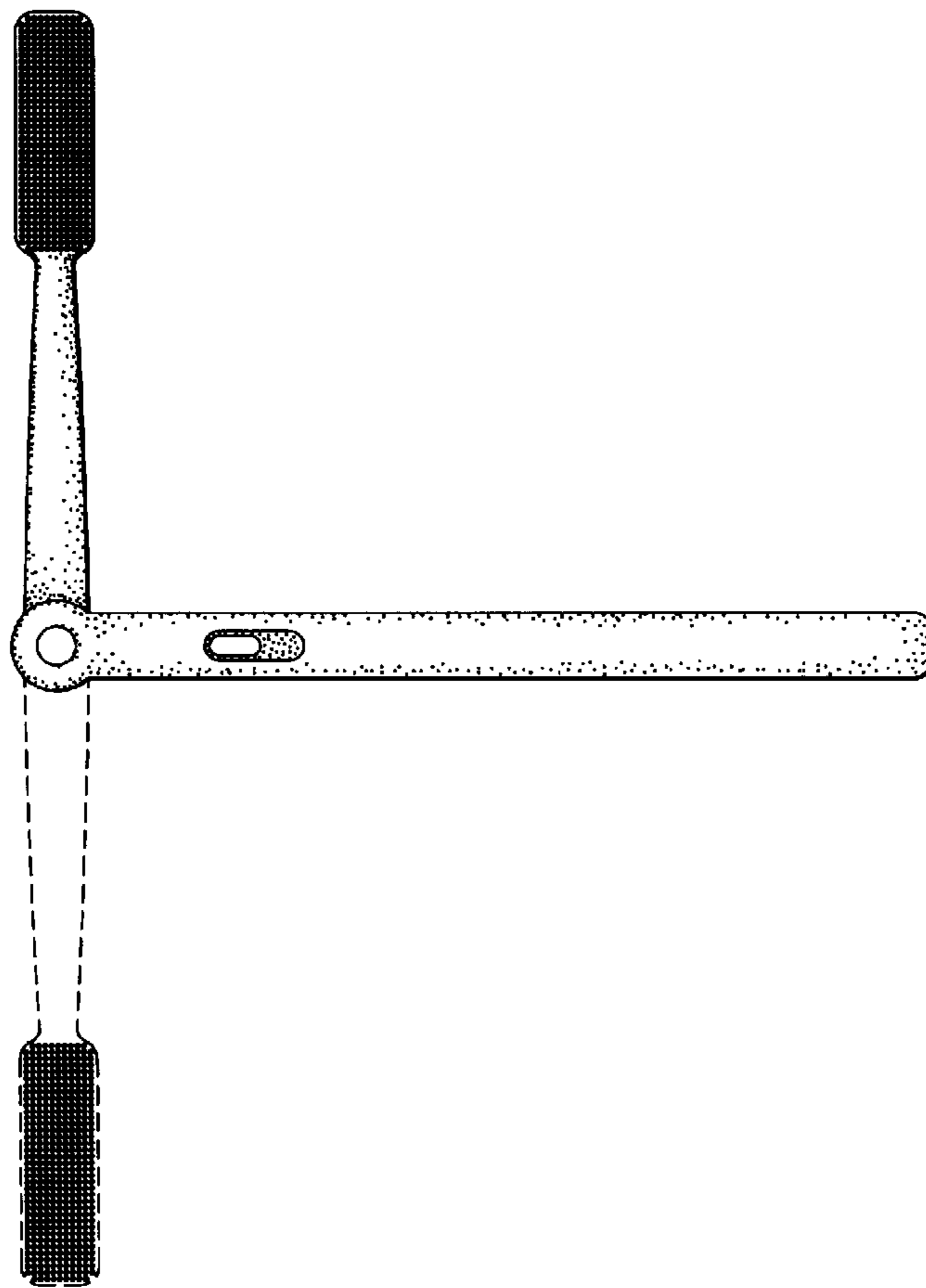
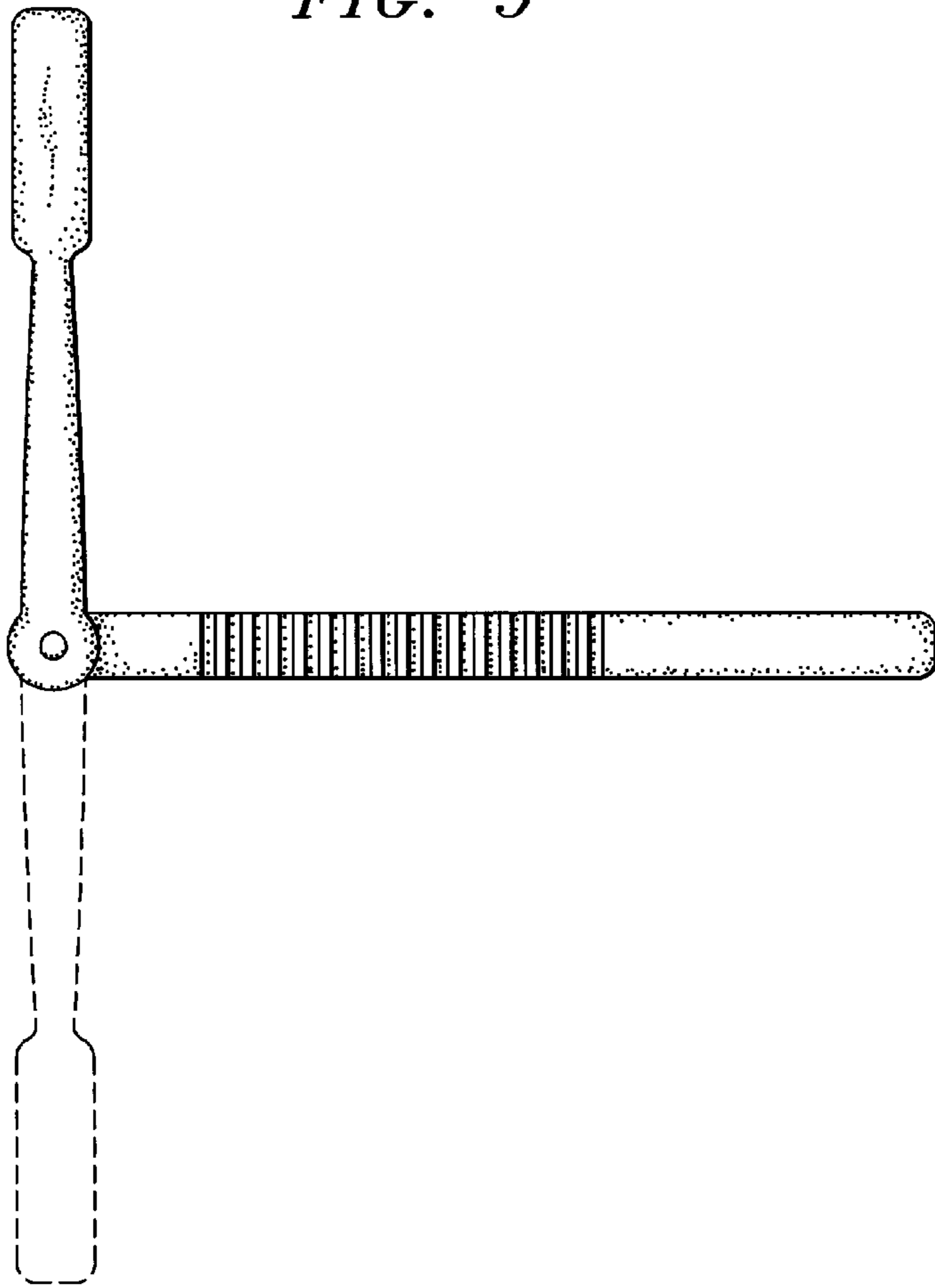


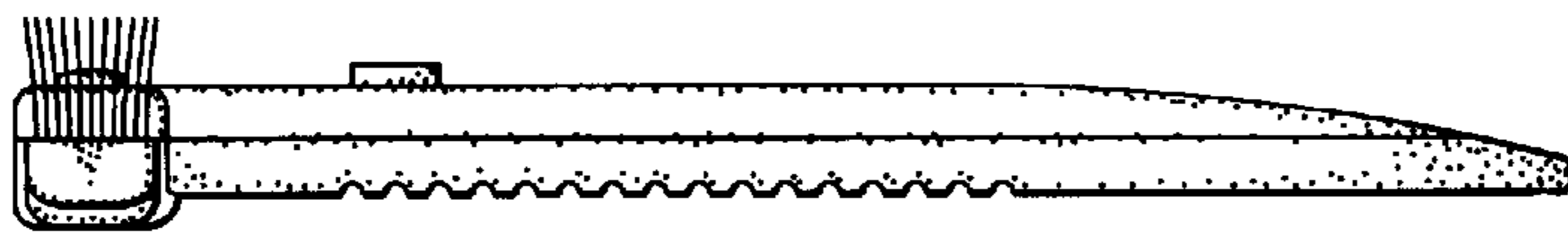
FIG. 8



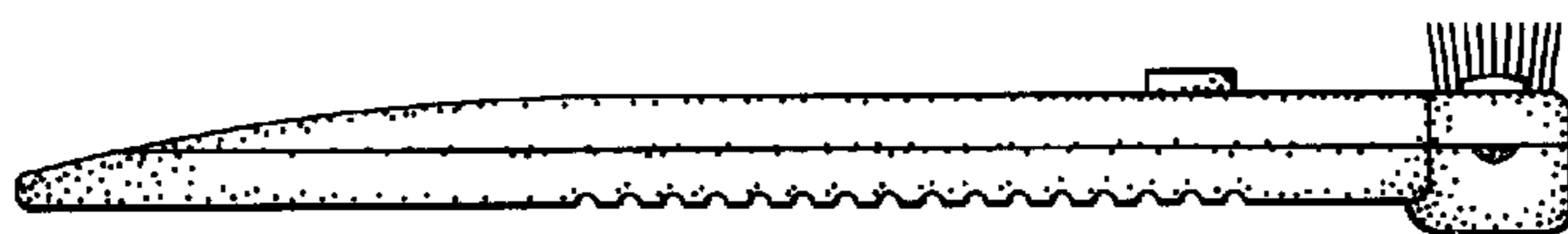
*FIG. 9*



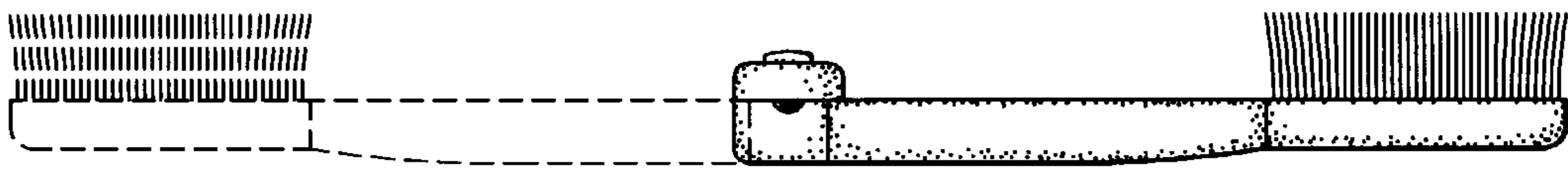
*FIG. 10*



*FIG. 11*



*FIG. 12*



*FIG. 13*

