



US00D460267S

(12) **United States Design Patent**  
**Chen**

(10) **Patent No.:** **US D460,267 S**

(45) **Date of Patent:** **\*\* \*Jul. 16, 2002**

(54) **PROTECTIVE CORNER STRIP FOR A SUITCASE**

(75) **Inventor:** **Wei-Chih Chen, Taichung Hsien (TW)**

(73) **Assignee:** **Yung Ta Hardware & Plastic Co.,Ltd., Taichung Hsien (TW)**

(\* ) **Notice:** This patent is subject to a terminal disclaimer.

(\*\*) **Term:** **14 Years**

(21) **Appl. No.:** **29/141,297**

(22) **Filed:** **May 4, 2001**

(51) **LOC (7) Cl.** ..... **03-99**

(52) **U.S. Cl.** ..... **D3/322**

(58) **Field of Search** ..... D3/318, 321-322, D3/232-233, 254, 256, 226, 272, 274, 276, 278-279, 283, 285-286, 289-293; 190/37, 100, 124, 126-127; 150/128, 130; 383/107-108, 119

(56) **References Cited**

**U.S. PATENT DOCUMENTS**

- 2,263,467 A \* 11/1941 Medoff ..... 190/126 X
- 2,471,612 A \* 5/1949 Freeman ..... 190/126
- 2,610,715 A \* 9/1952 Plotkin ..... 190/37
- D242,183 S \* 11/1976 Davis ..... D3/321
- 4,163,484 A \* 8/1979 Delaney ..... 190/37 X

- 4,383,142 A \* 5/1983 Kaneko ..... 190/126
- 4,561,525 A \* 12/1985 Shidner ..... 190/124 X
- 4,932,506 A \* 6/1990 Kim ..... 150/128 X
- 6,035,982 A \* 3/2000 Wei-Chih ..... 190/37
- D432,788 S \* 10/2000 Payne ..... D3/276

\* cited by examiner

*Primary Examiner*—Louis S. Zarfes

*Assistant Examiner*—Robert A. Delehanty

(74) *Attorney, Agent, or Firm*—Harrison & Egbert

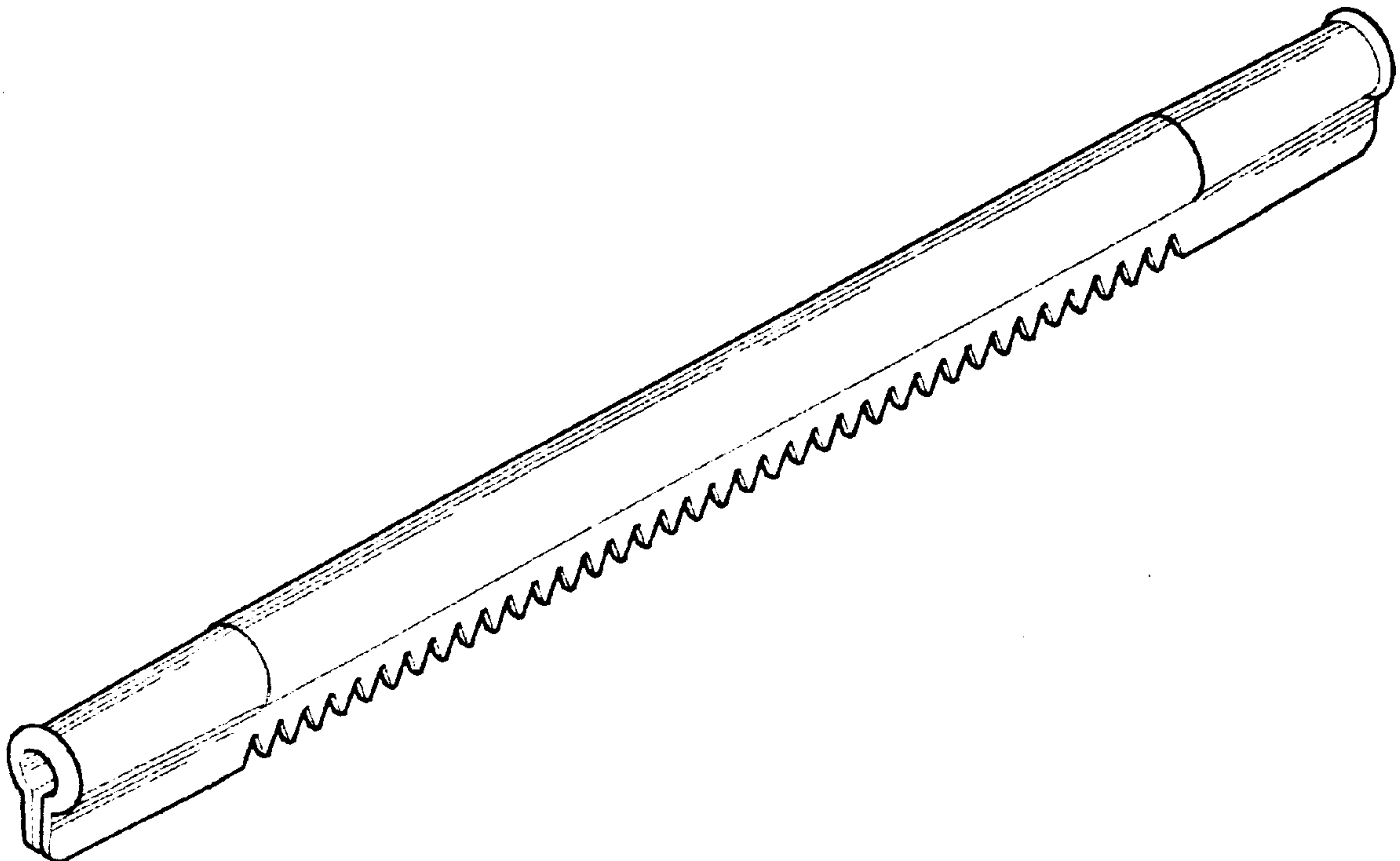
(57) **CLAIM**

I claim the ornamental design for a protective corner strip for a suitcase, as shown and described.

**DESCRIPTION**

FIG. 1 is an upper perspective view of the protective corner strip for a suitcase showing my design.  
 FIG. 2 is a front view thereof;  
 FIG. 3 is a back view thereof;  
 FIG. 4 is a side view thereof;  
 FIG. 5 is an opposite side view thereof;  
 FIG. 6 is a top view thereof;  
 FIG. 7 is a bottom view thereof; and,  
 FIG. 8 is a top front perspective view thereof shown in condition of use with the corner strip attached to a suitcase. The broken line showing of a suitcase and additional corner strips is for illustrative purposes only and forms no part of the claimed design.

**1 Claim, 5 Drawing Sheets**



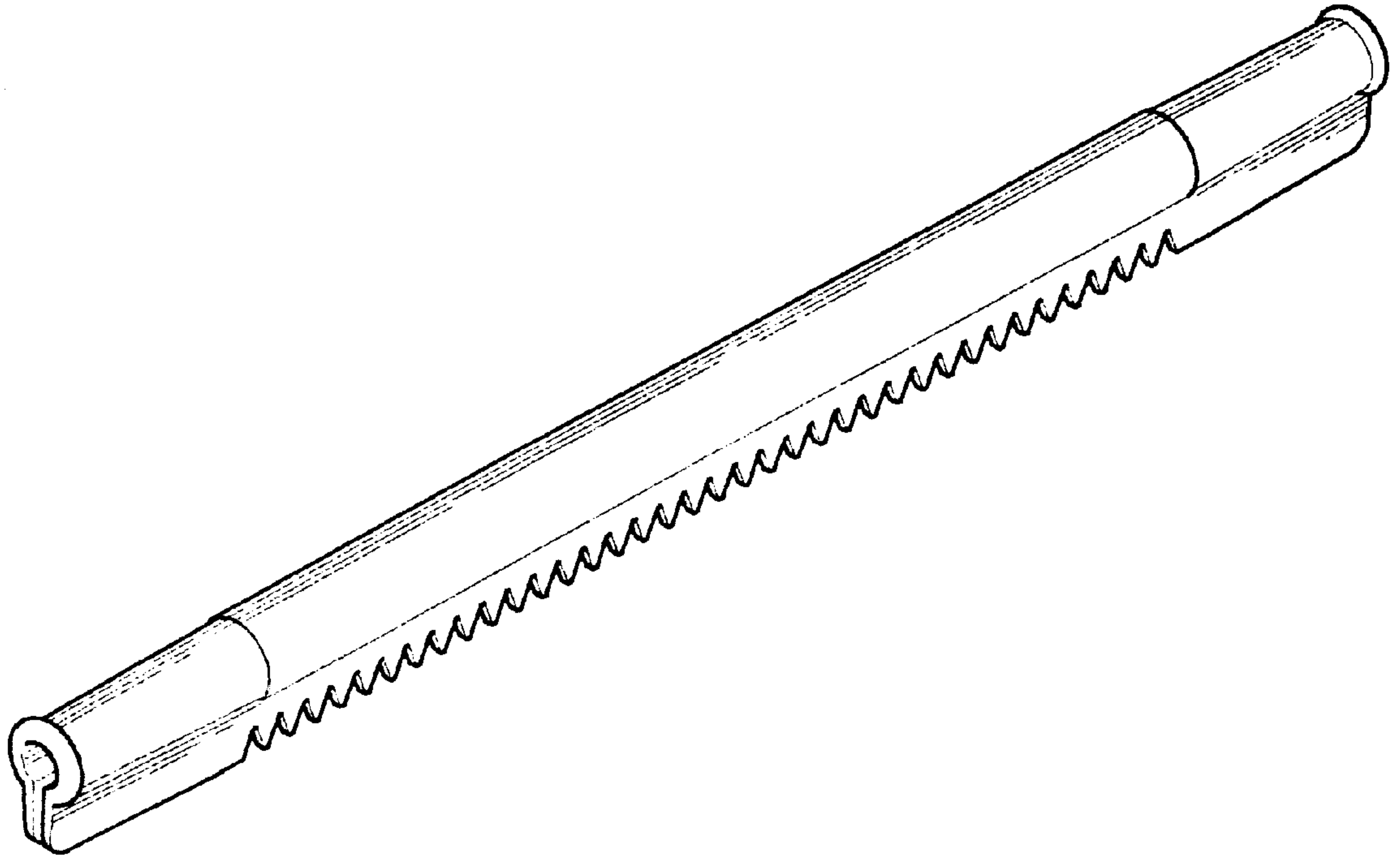


FIG. 1

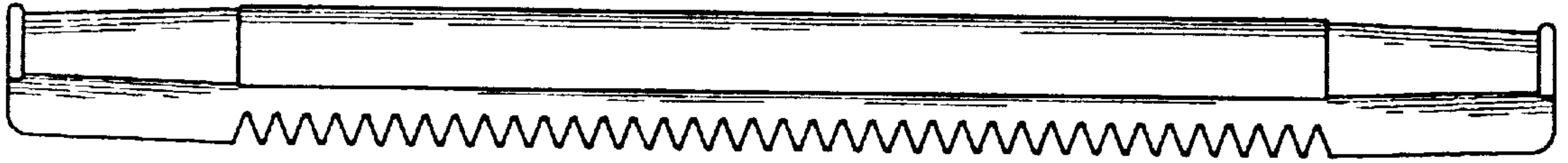


FIG. 2

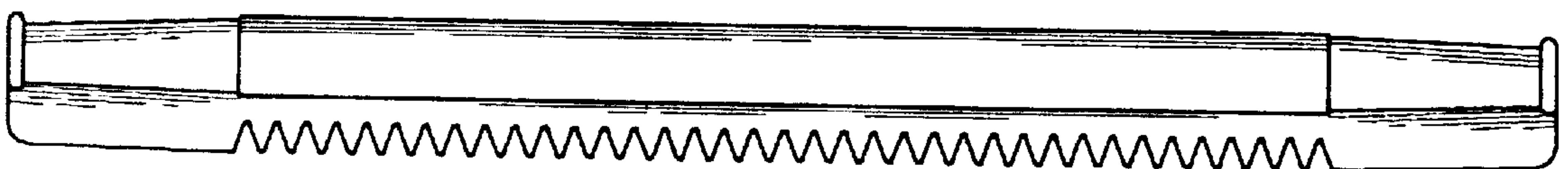


FIG. 3



FIG. 4



FIG. 5

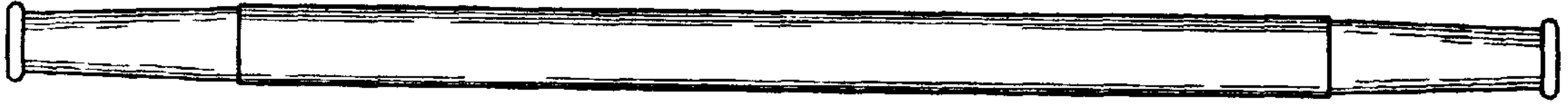


FIG. 6

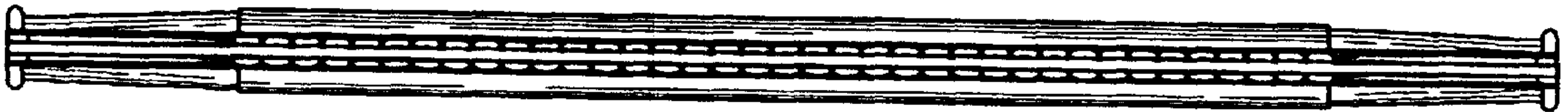


FIG. 7

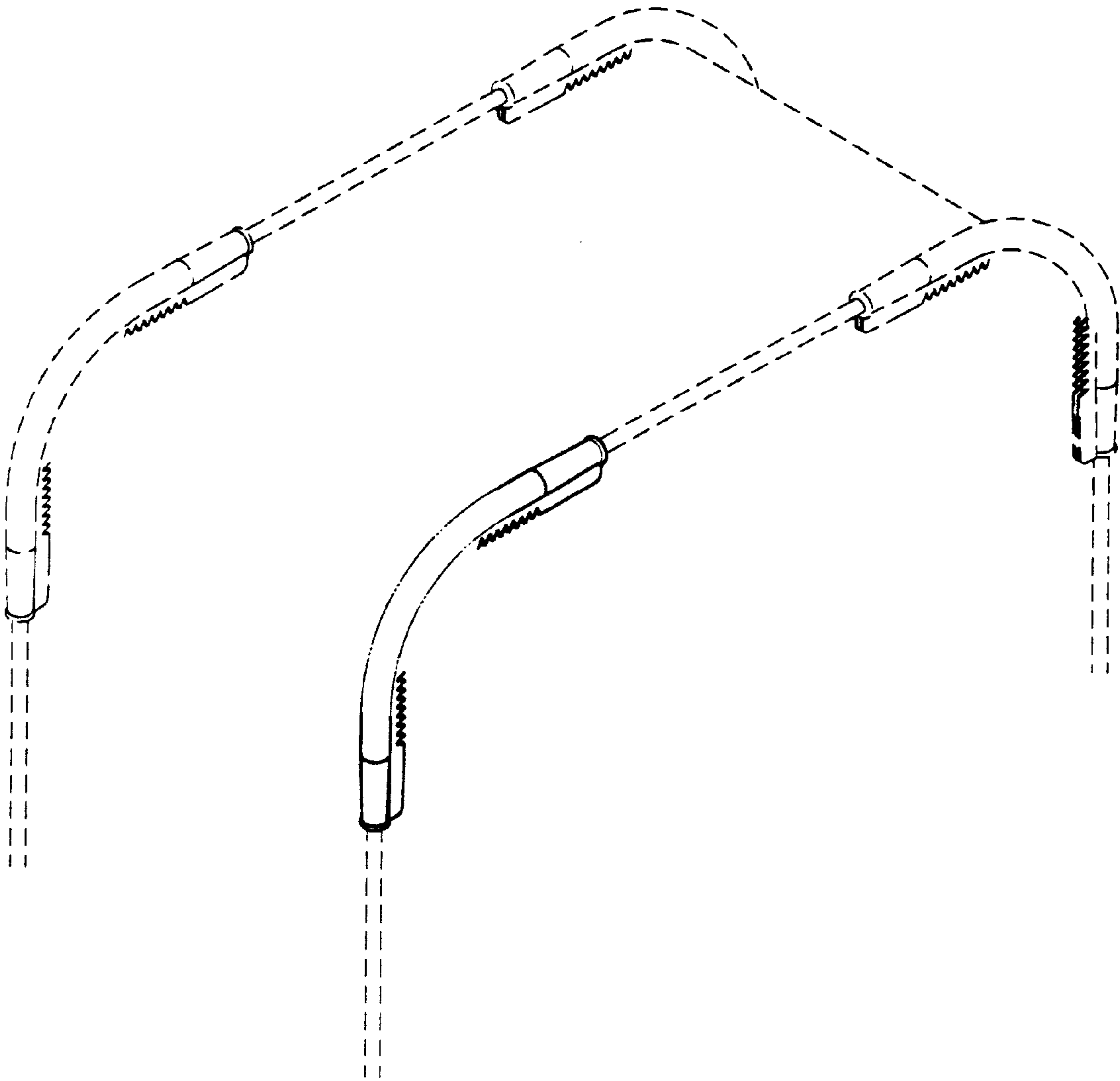


FIG.8