



US00D460265S

(12) **United States Design Patent**
Chang

(10) **Patent No.:** **US D460,265 S**

(45) **Date of Patent:** **** Jul. 16, 2002**

(54) **SUITCASE HANDLE**

(76) **Inventor:** **Wen-Chen Chang**, 58, Ma Yuan West St., Taichung (TW)

(**) **Term:** **14 Years**

(21) **Appl. No.:** **29/149,513**

(22) **Filed:** **Oct. 9, 2001**

(51) **LOC (7) Cl.** **03-99**

(52) **U.S. Cl.** **D3/318**

(58) **Field of Search** D3/318, 276, 281, D3/282, 900; 190/115-118, 900, 100; D8/300, 301

(56) **References Cited**

U.S. PATENT DOCUMENTS

2,537,750 A	*	1/1951	Gretschel	190/116
4,340,990 A	*	7/1982	Seynhaeve	190/115
5,624,012 A	*	4/1997	Wang	190/115
D393,746 S	*	4/1998	Wang	D3/318

5,924,169 A	*	7/1999	Lu	190/115
5,927,451 A	*	7/1999	Tsai	190/115
D417,080 S	*	11/1999	Korn et al.	D3/318
6,134,749 A	*	10/2000	Kuo	190/115

* cited by examiner

Primary Examiner—Prabhakar Deshmukh

(57) **CLAIM**

The ornamental design for a suitcase handle, as shown and described.

DESCRIPTION

FIG. 1 is a perspective view of a suitcase handle showing my new design;

FIG. 2 is a front elevational view thereof;

FIG. 3 is a rear elevational view thereof;

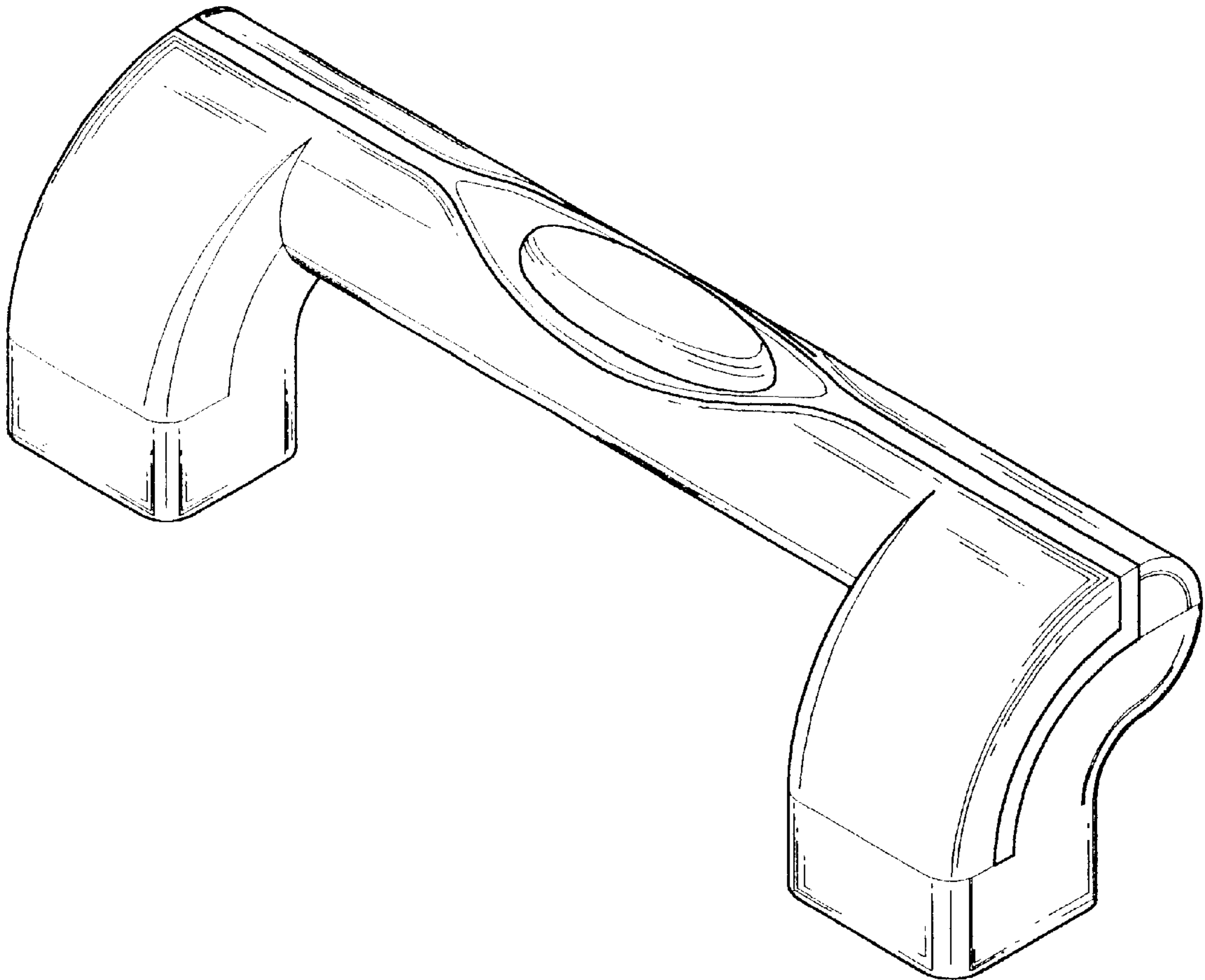
FIG. 4 is a left side elevational view thereof;

FIG. 5 is a right side elevational view thereof;

FIG. 6 is a top plan view thereof; and,

FIG. 7 is a bottom plan view thereof.

1 Claim, 4 Drawing Sheets



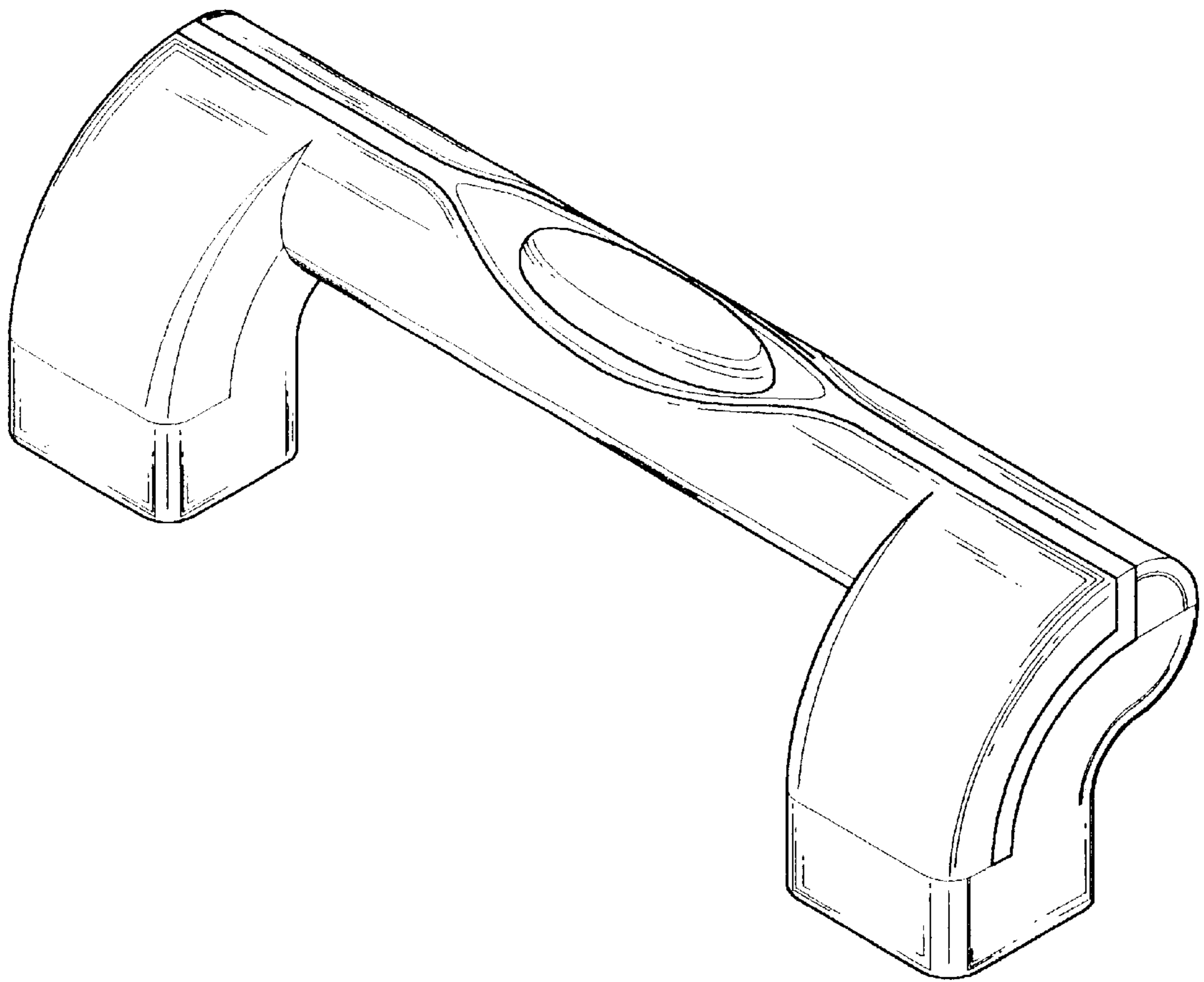


FIG. 1

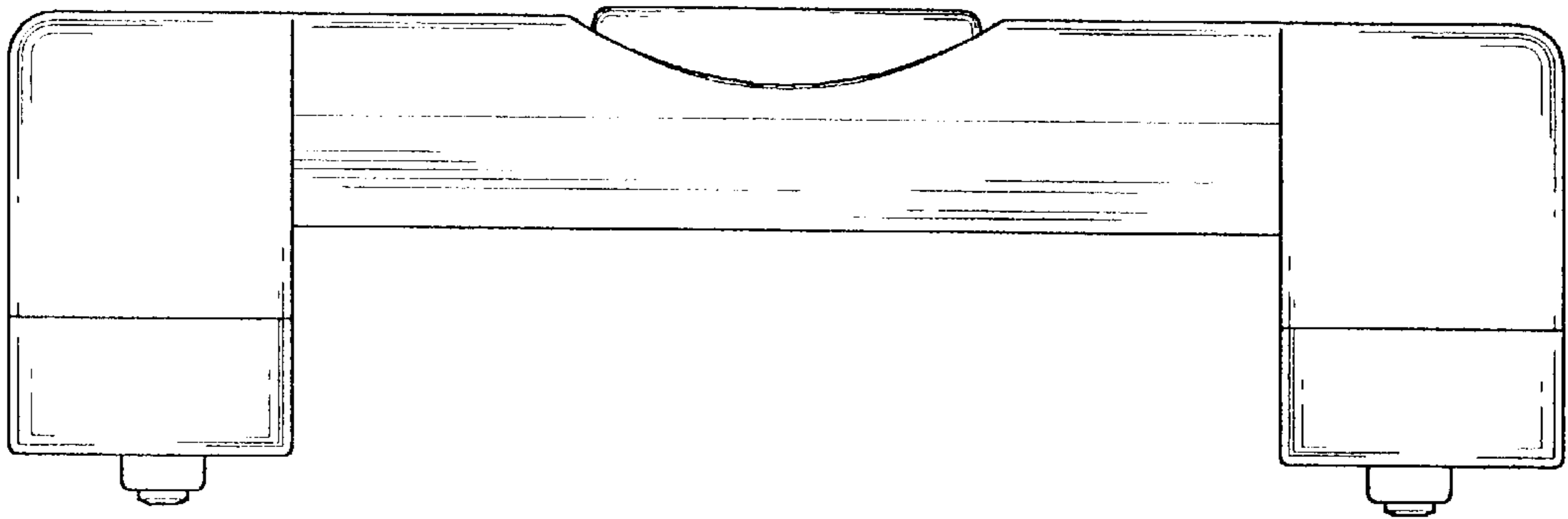


FIG. 2

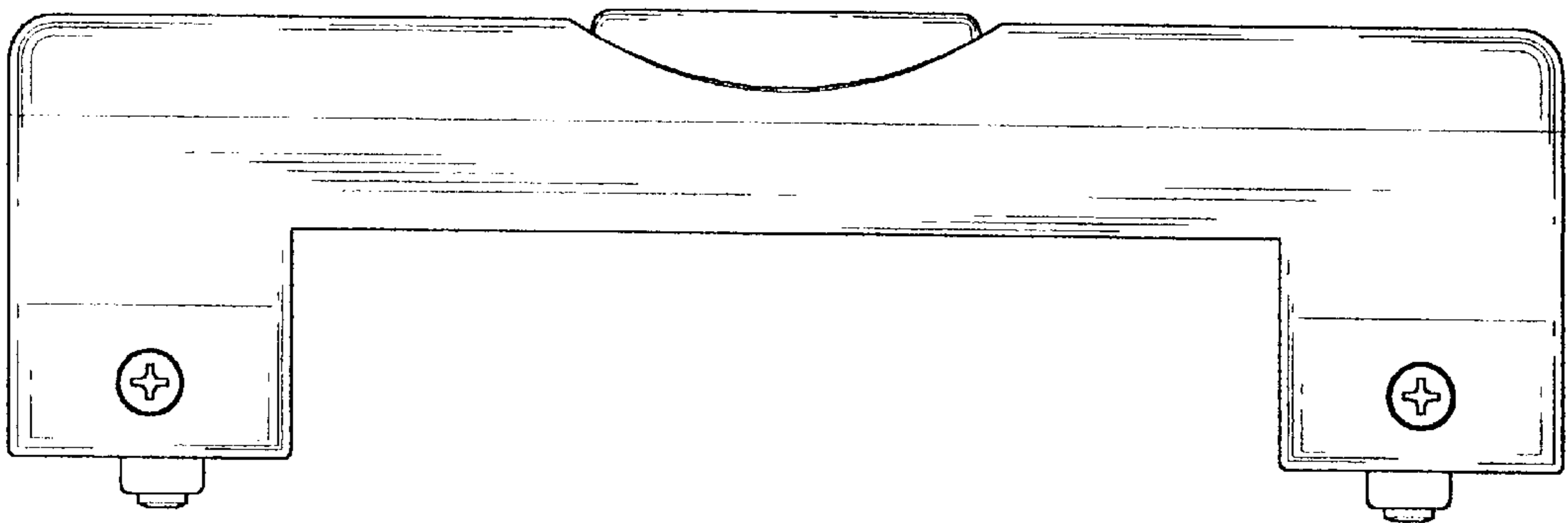


FIG. 3

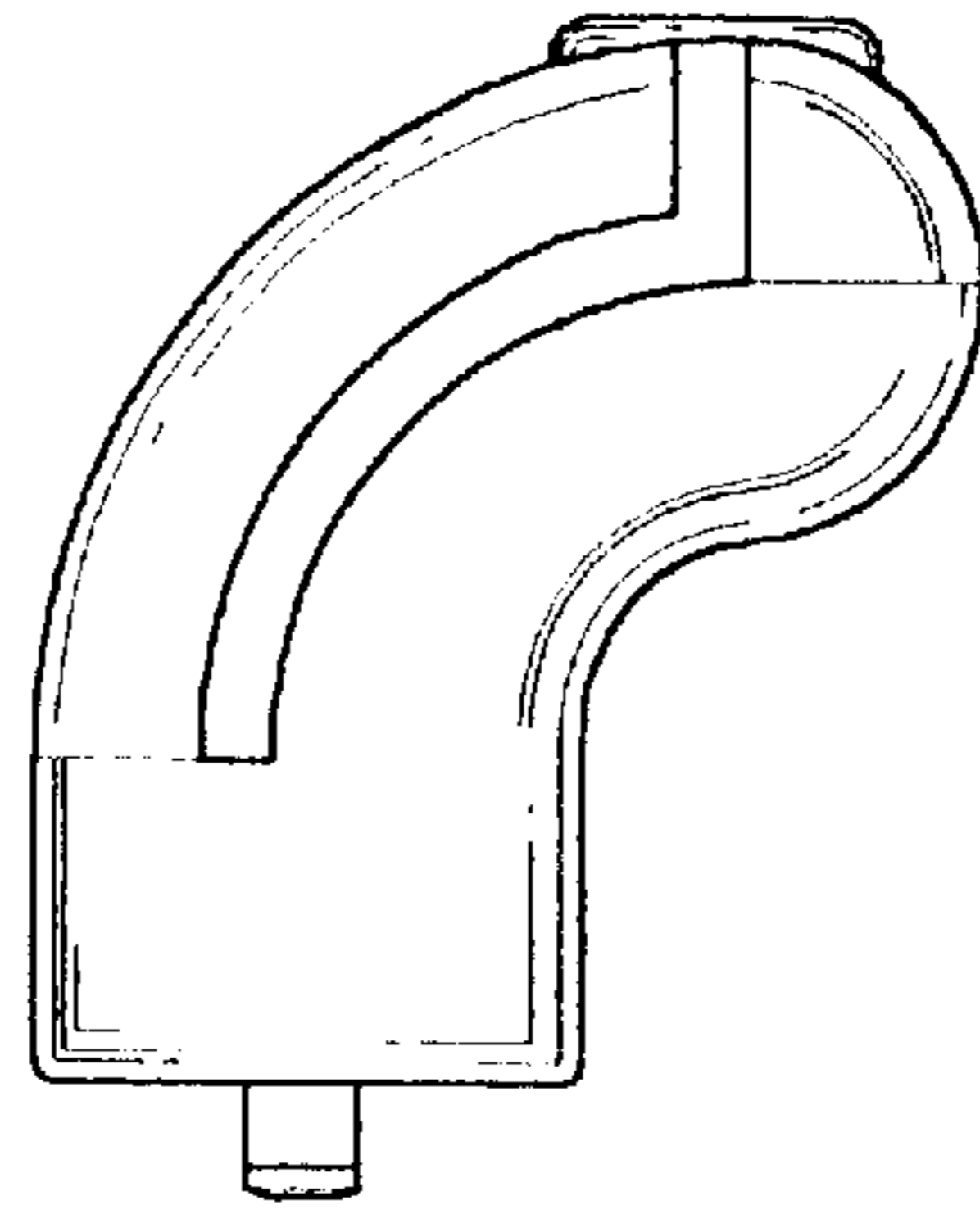


FIG. 4

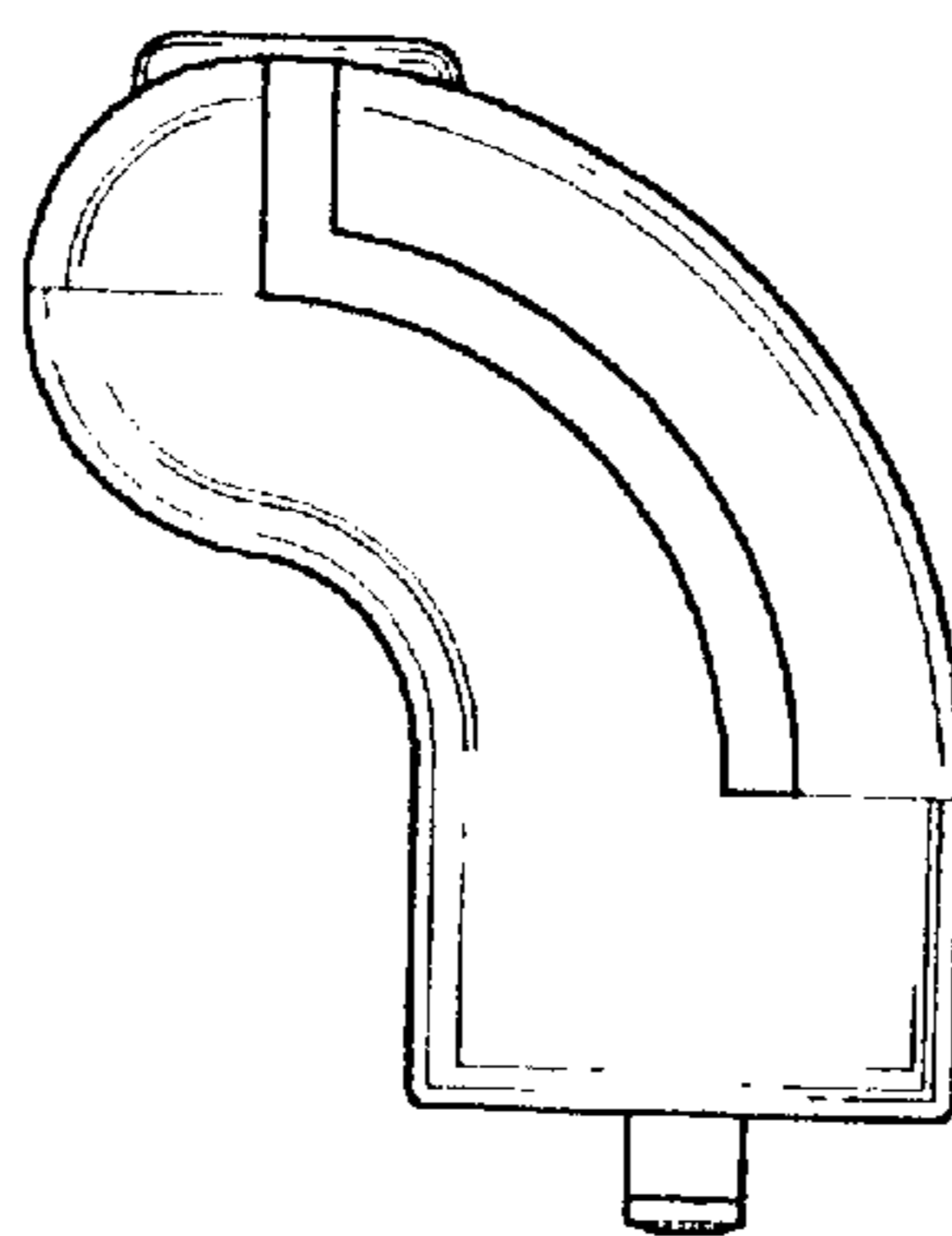


FIG. 5

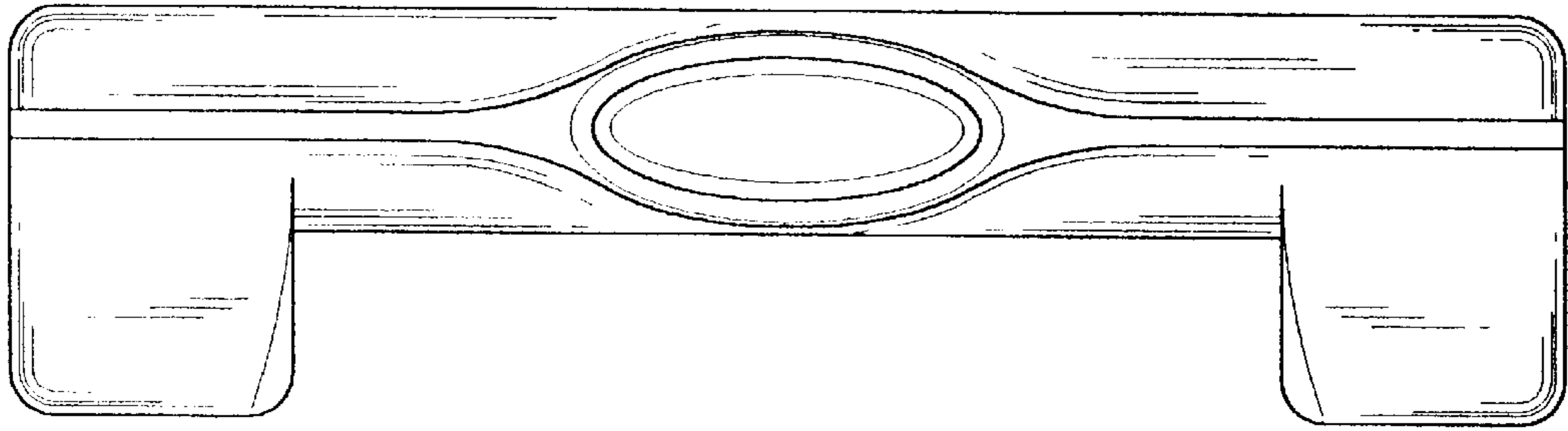


FIG. 6

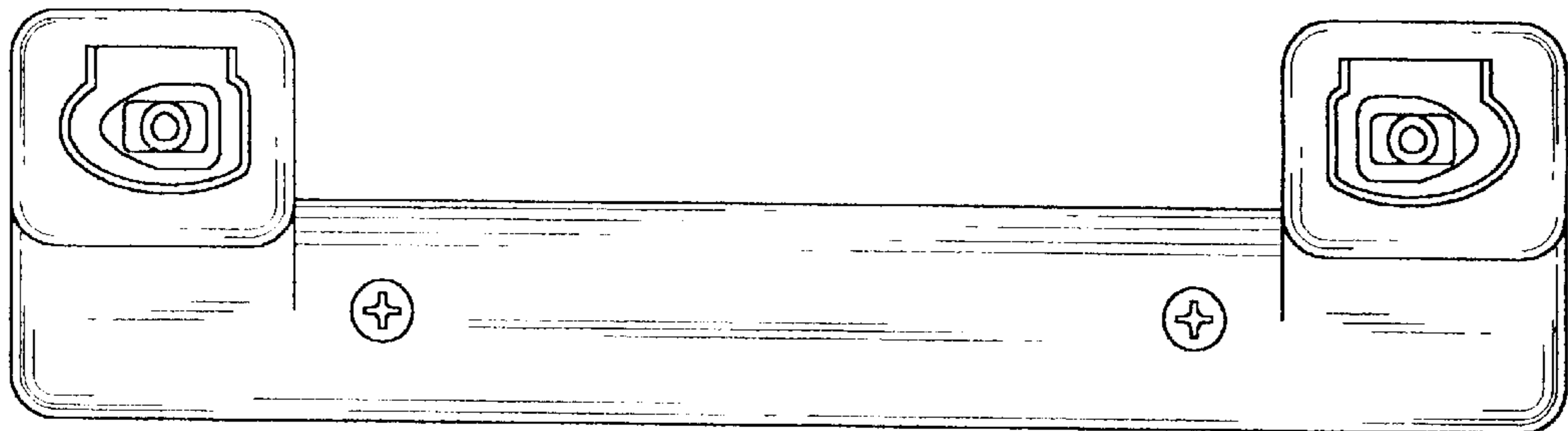


FIG. 7