



US00D460263S

(12) **United States Design Patent**
Bradford

(10) **Patent No.:** **US D460,263 S**

(45) **Date of Patent:** **** Jul. 16, 2002**

(54) **TOP RAIL CORNER PIECE**

(76) **Inventor:** **Judson A. Bradford**, 3400 Elderwood Ave., Holland, MI (US) 49424

(**) **Term:** **14 Years**

(21) **Appl. No.:** **29/129,261**

(22) **Filed:** **Sep. 11, 2000**

(51) **LOC (7) Cl.** **03-99**

(52) **U.S. Cl.** **D3/318**

(58) **Field of Search** D12/410; D3/312, D3/304, 201, 307, 308, 291, 314, 310, 318; D9/425, 431, 432, 435, 424; 220/480, 481, 4.33, 4.28, 685, 4.32

(56) **References Cited**

U.S. PATENT DOCUMENTS

3,940,007 A * 2/1976 Griffiths 220/4.28
D384,204 S * 9/1997 Lippisch D3/318
5,722,551 A * 3/1998 Cocciemiglio, Jr. 220/4.33

* cited by examiner

Primary Examiner—Doris Clark

(74) *Attorney, Agent, or Firm*—Wood, Herron & Evans L.L.P.

(57) **CLAIM**

The ornamental design for top rail corner piece, as shown and described.

DESCRIPTION

FIG. 1 is a perspective view of a top rail corner piece showing my design (with environment shown in phantom and not claimed as part of the invention);

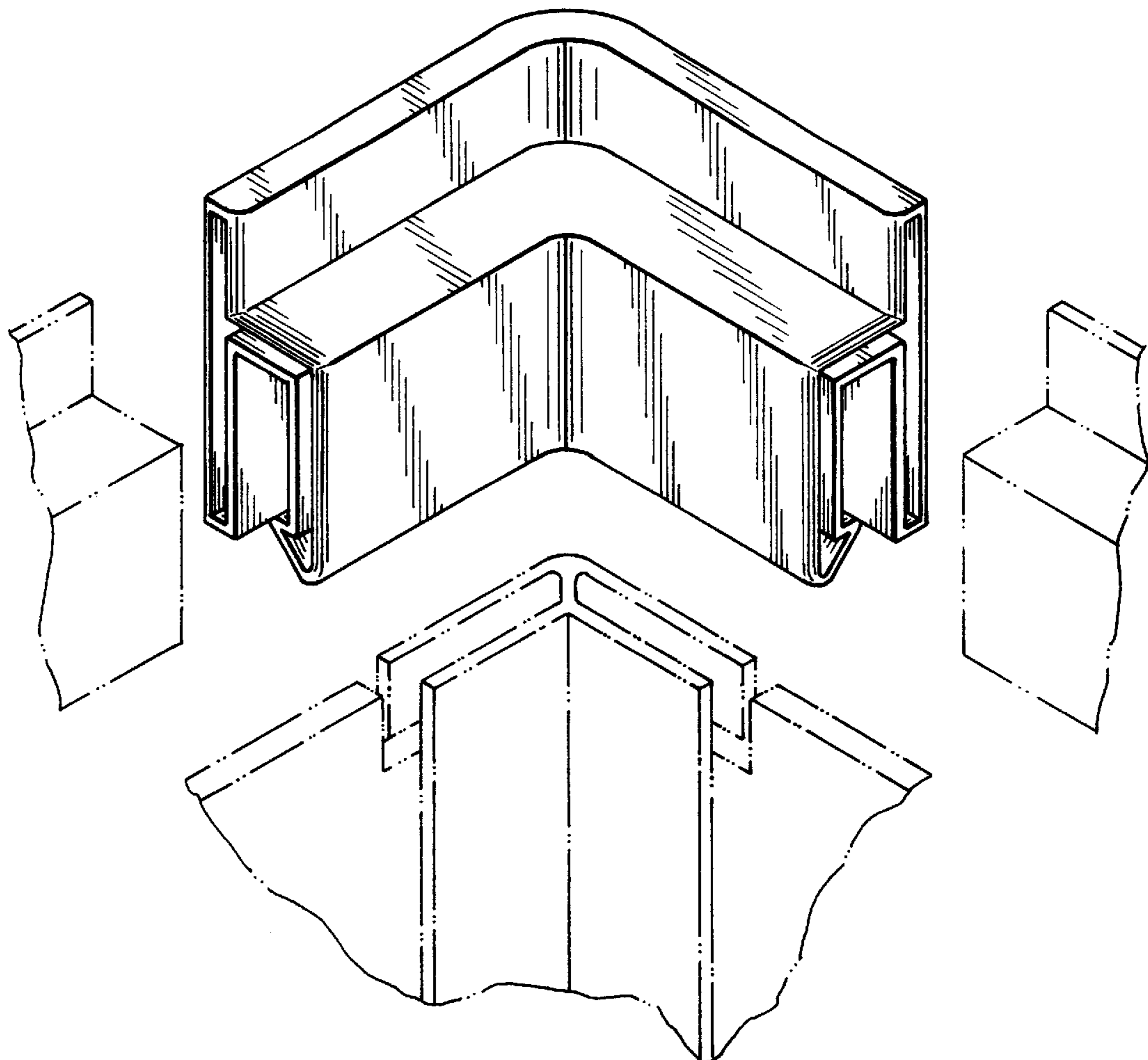
FIG. 2 is a top plan view thereof;

FIG. 3 is a front elevational view thereof (left side view is a mirror image thereof);

FIG. 4 is a rear view thereof (right side view is a mirror image thereof); and,

FIG. 5 is a bottom view thereof.

1 Claim, 2 Drawing Sheets



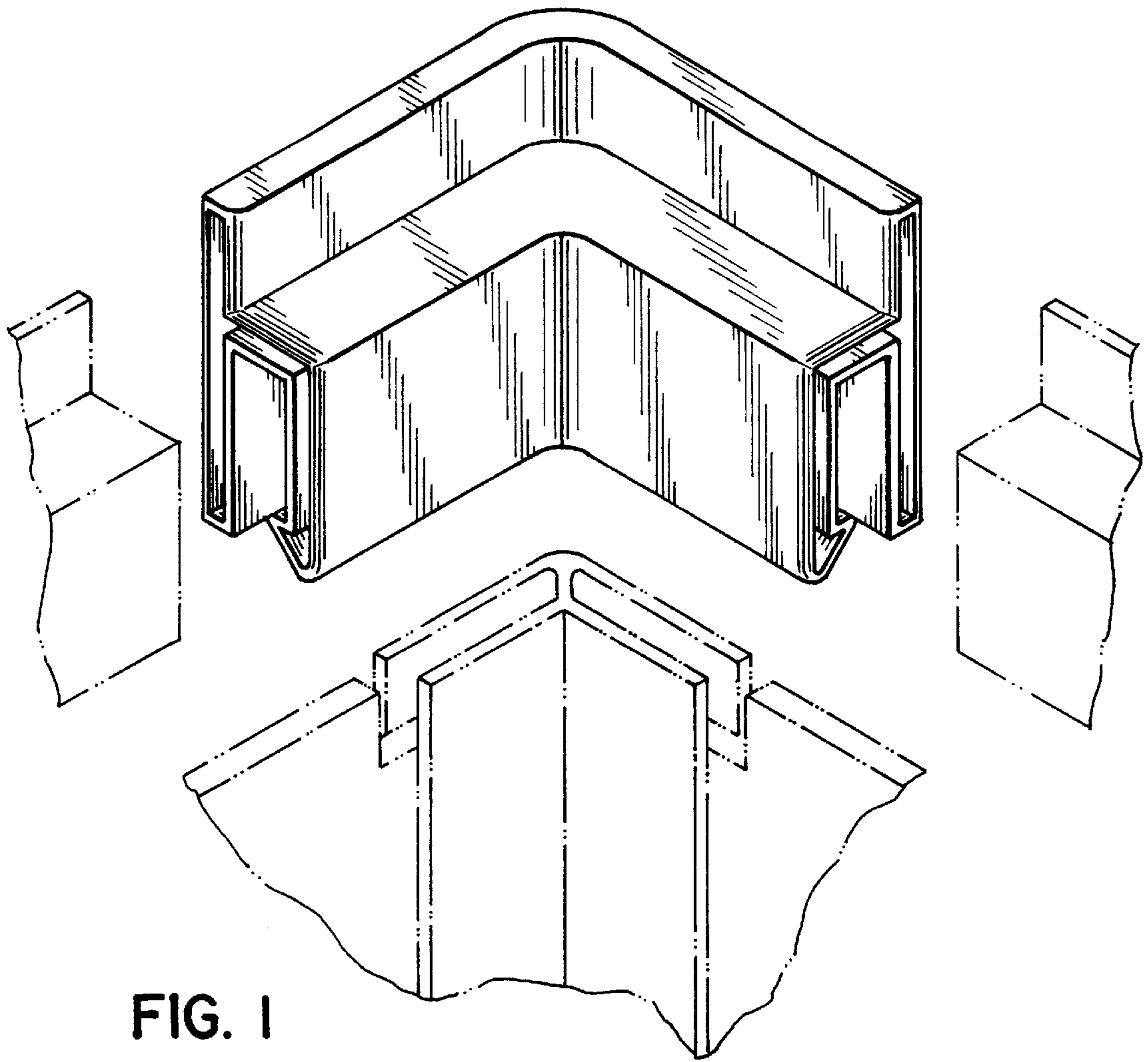


FIG. 1

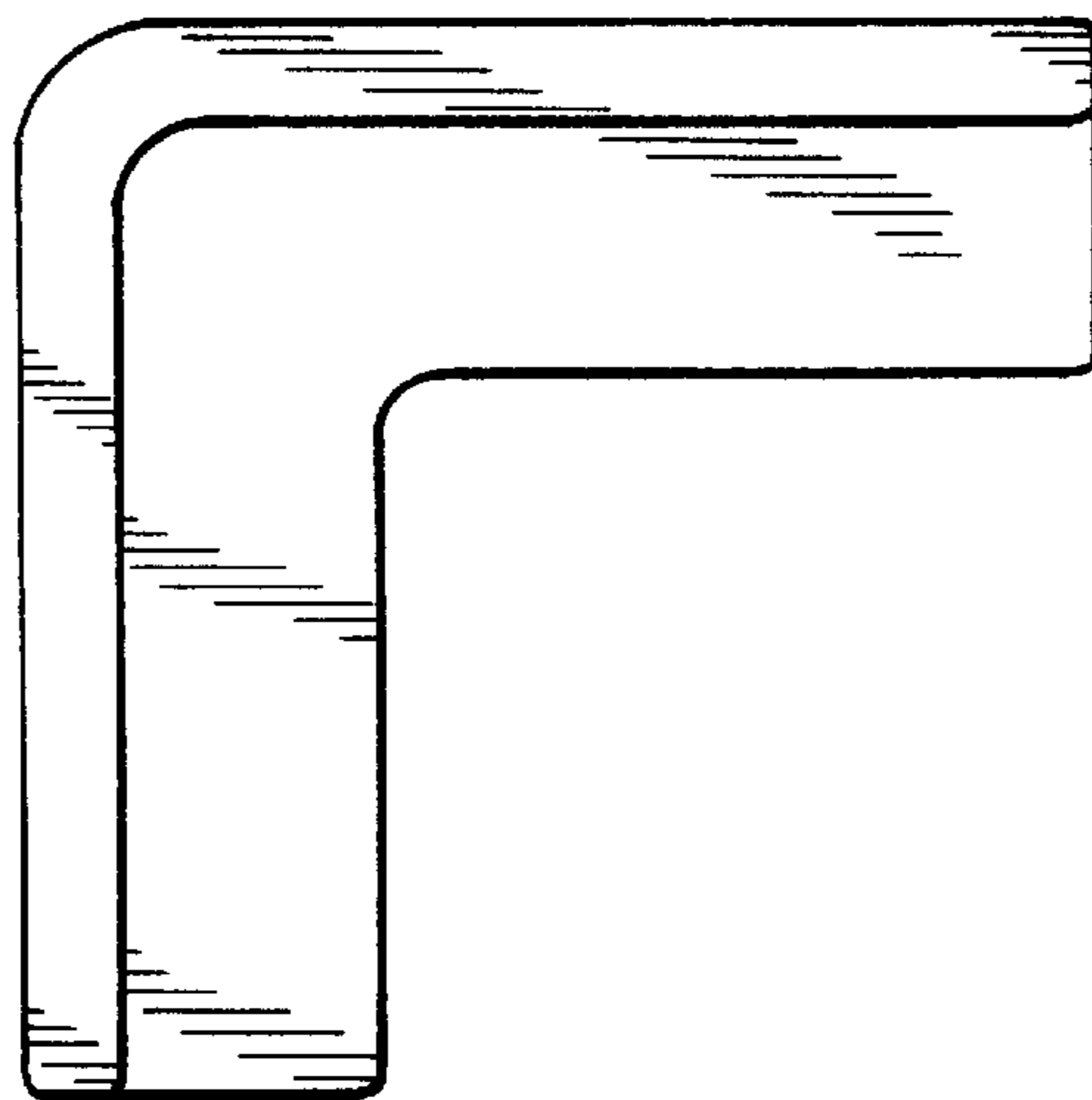


FIG. 2

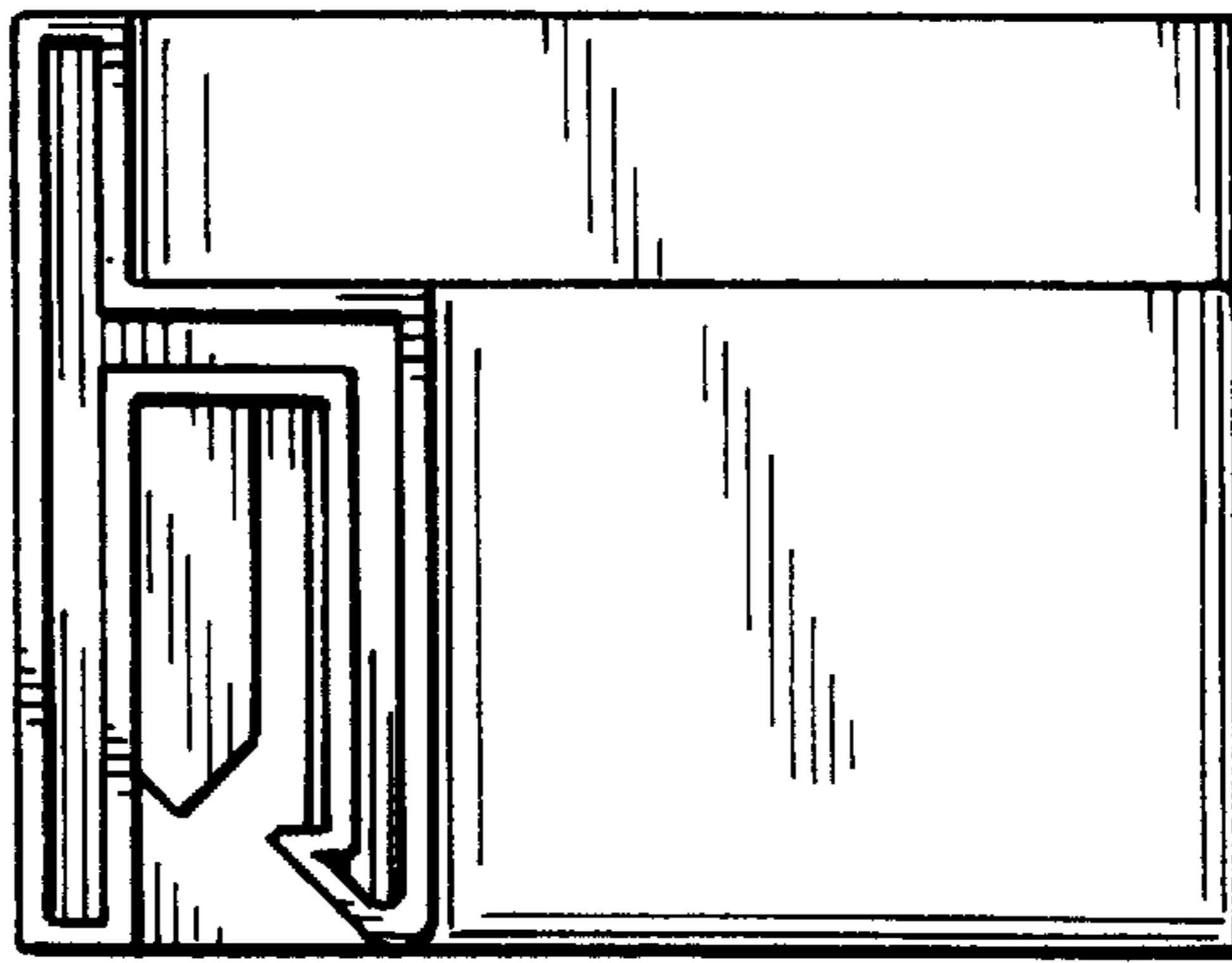


FIG. 3

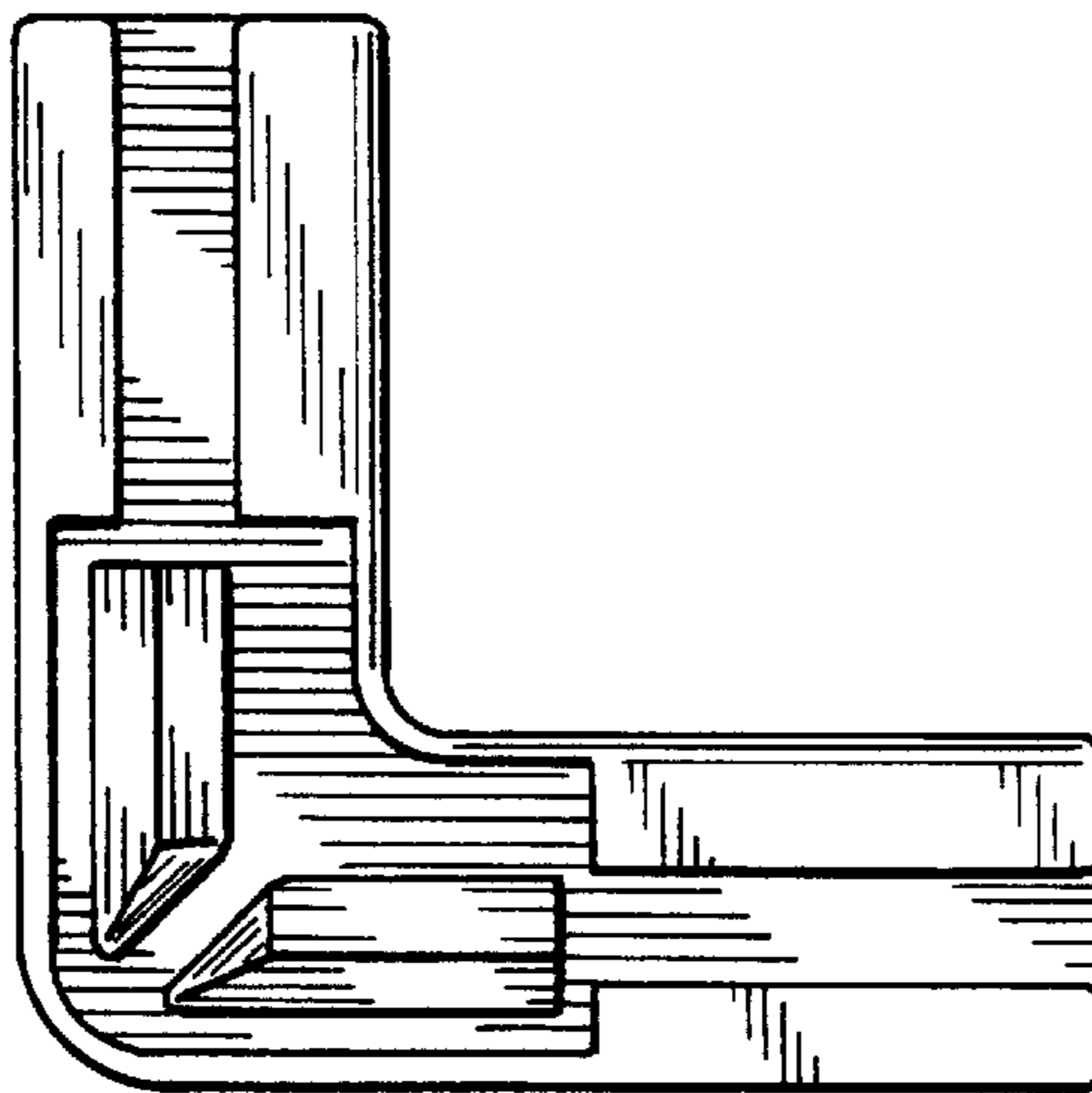


FIG. 5

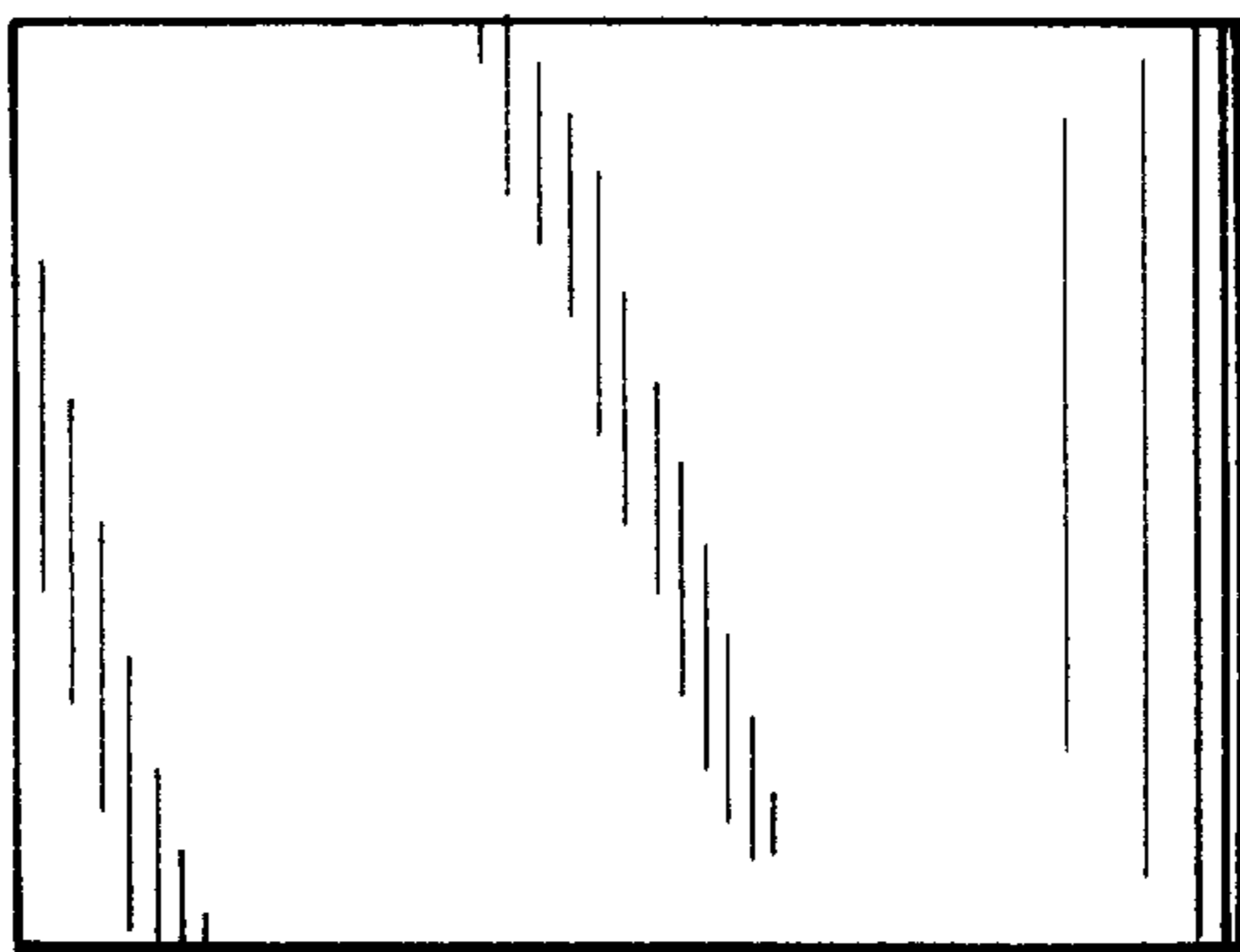


FIG. 4