



US00D460259S

(12) **United States Design Patent**
Oelfke

(10) **Patent No.:** **US D460,259 S**

(45) **Date of Patent:** **** Jul. 16, 2002**

(54) **BOX**

(76) **Inventor:** **Michael Matthew Oelfke**, 221 N.
Monroe St. #B, Bay City, MI (US)
48708

(**) **Term:** **14 Years**

(21) **Appl. No.:** **29/136,552**

(22) **Filed:** **Feb. 1, 2001**

(51) **LOC (7) Cl.** **03-01**

(52) **U.S. Cl.** **D3/284; D3/294; D3/273**

(58) **Field of Search** D3/272, 273, 276,
D3/281, 283, 284, 291, 294, 295; 206/315.1,
372, 373, 349; 190/100, 109, 110, 111

(56) **References Cited**

U.S. PATENT DOCUMENTS

- D159,221 S * 7/1950 Nonas D3/284
- 4,303,158 A * 12/1981 Perkins 206/373
- D284,526 S * 7/1986 Freeman D3/284
- D290,785 S * 7/1987 Kelly D3/284

- 4,911,296 A * 3/1990 Hart, Jr 206/373
- D388,251 S * 12/1997 Smith D3/291
- D402,106 S * 12/1998 Buckingham et al. D3/284
- D425,302 S * 5/2000 Fountain, Sr. D3/295

* cited by examiner

Primary Examiner—Philip S. Hyder

(57) **CLAIM**

I claim the ornamental design for a box, as shown and described.

DESCRIPTION

FIG. 1 is a perspective view of my ornamental design for a box depicting the top, front, and left sides thereof.

FIG. 2 is a perspective view of the box of FIG. 1 showing it in an open configuration.

FIG. 3 is a front elevational view of my box.

FIG. 4 is a rear elevational view thereof; and,

FIG. 5 is a left side elevational view my box, the right side being a mirror image thereof.

1 Claim, 5 Drawing Sheets

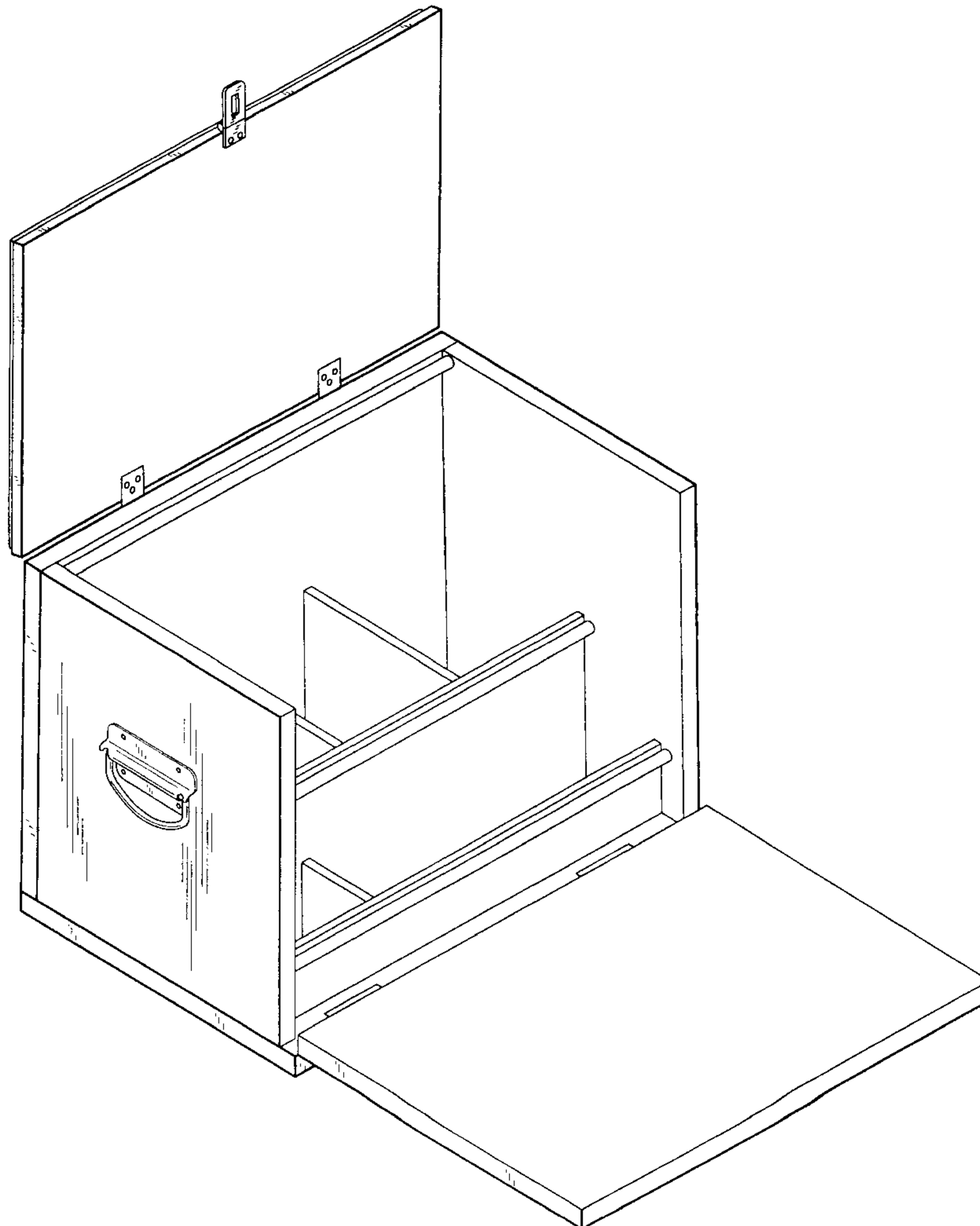


FIG. 1

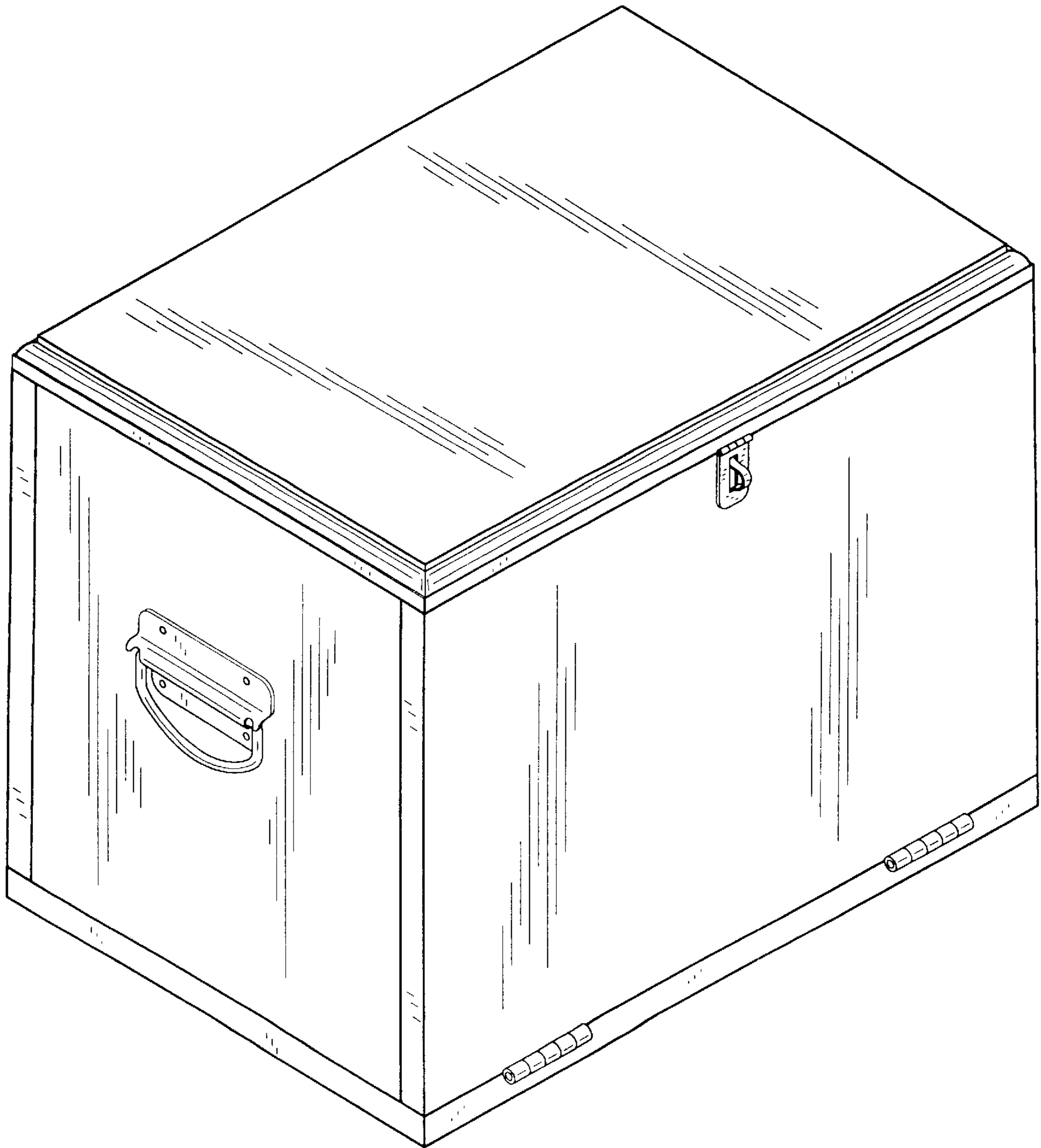


FIG. 2

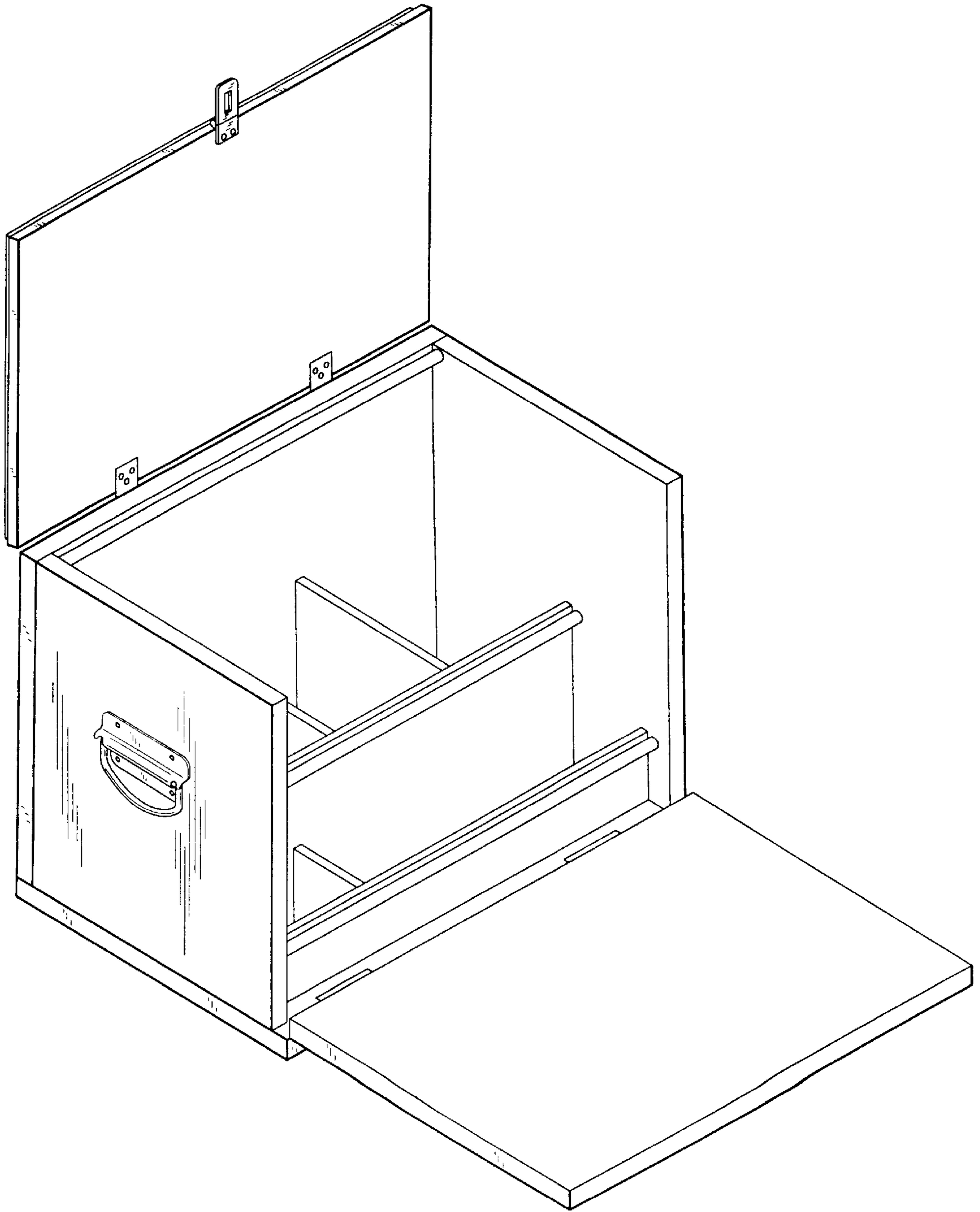


FIG. 3

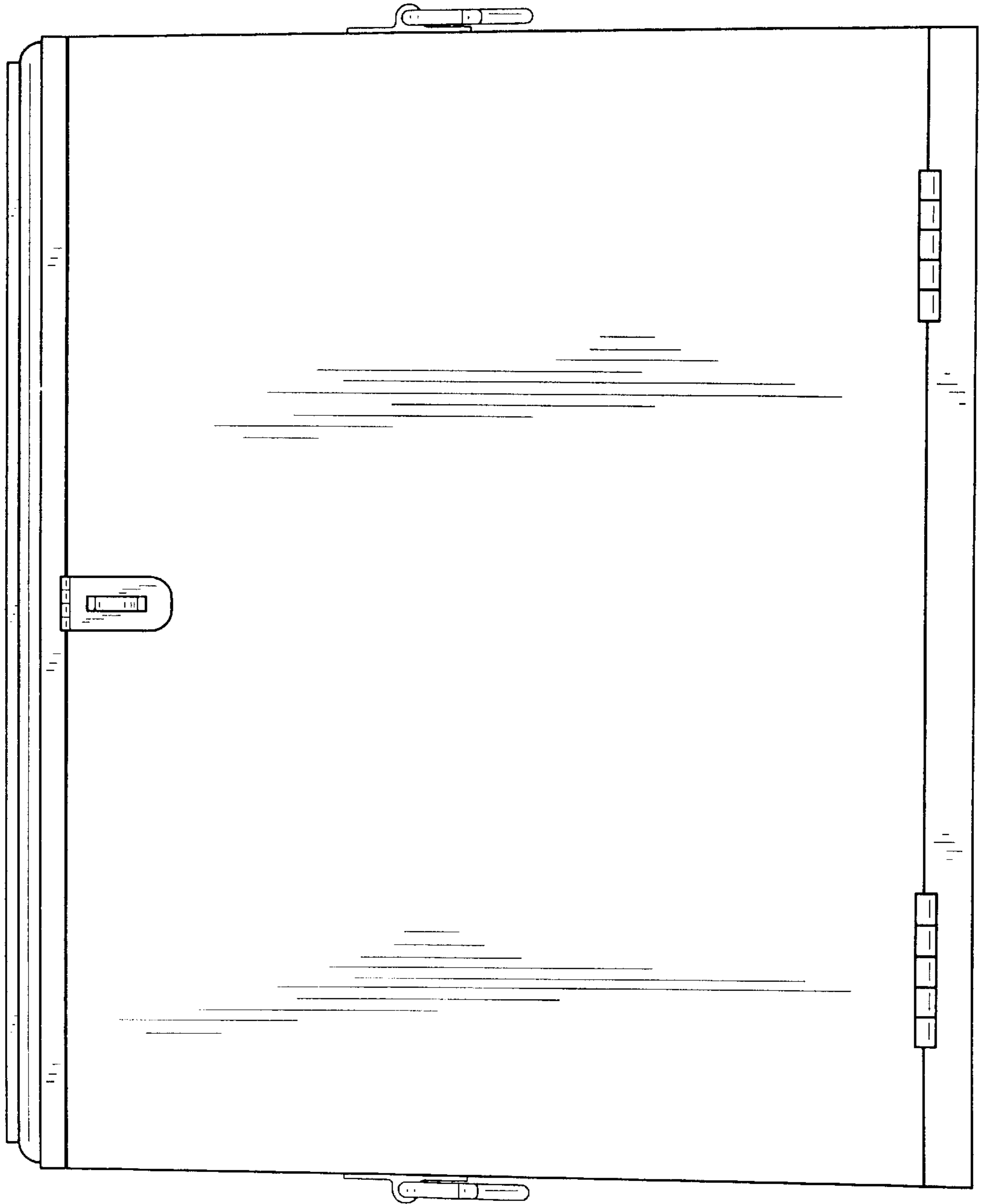


FIG. 4

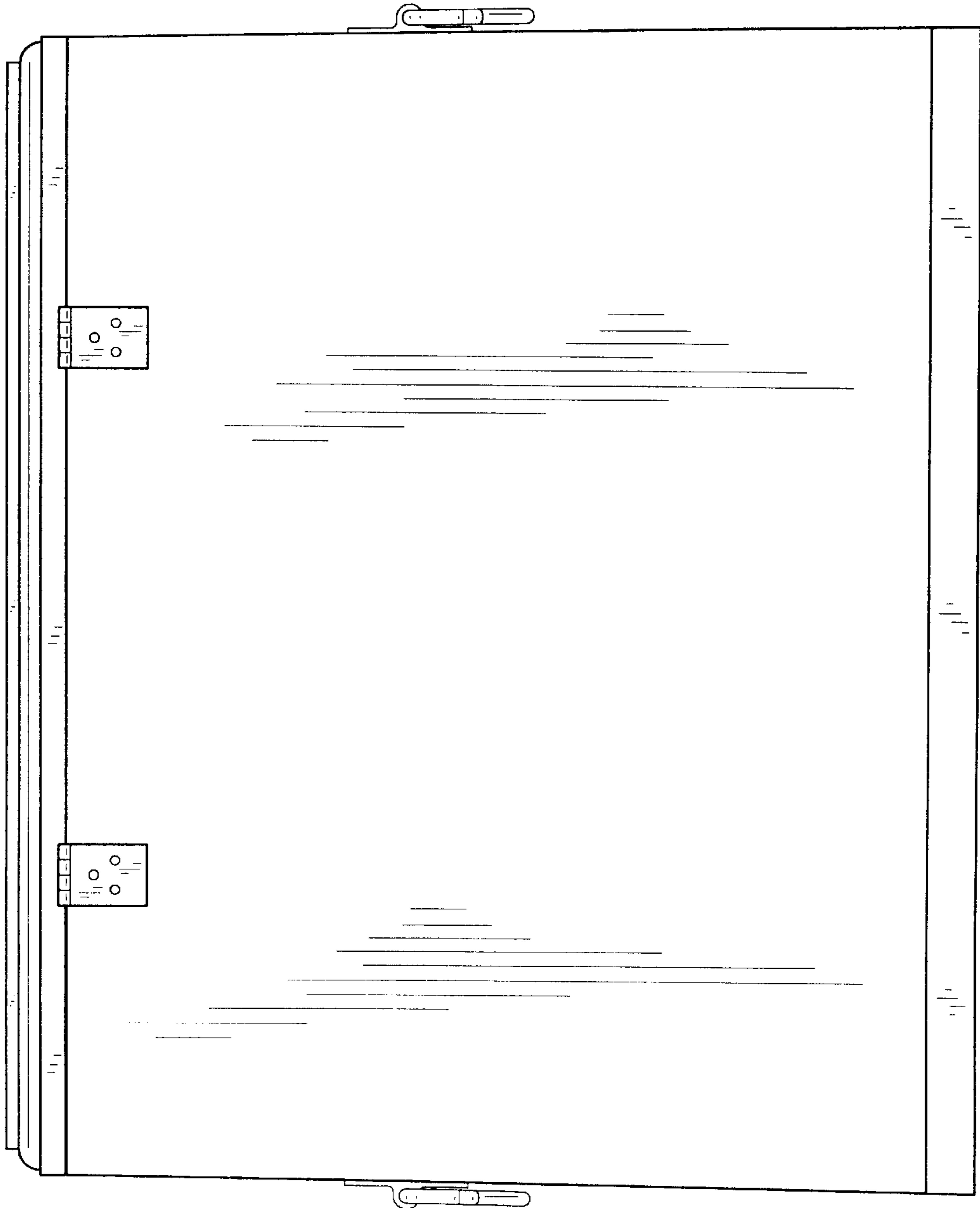


FIG. 5

