



US00D460240S

(12) **United States Design Patent**  
**Froseth et al.**

(10) **Patent No.: US D460,240 S**  
(45) **Date of Patent: \*\* Jul. 16, 2002**

- (54) **CEREAL BAR HAVING A CEREAL PIECE INCLUDED THEREON**
- (75) Inventors: **Barrie R Froseth**, Plymouth; **Dean F Funk**, Brooklyn Park; **Robert J Harrison**, Champlin; **Dena K Strehlow**, Maple Grove, all of MN (US)
- (73) Assignee: **General Mills, Inc.**, Minneapolis, MN (US)
- (\*\*) Term: **14 Years**
- (21) Appl. No.: **29/111,589**
- (22) Filed: **Sep. 30, 1999**
- (51) **LOC (7) Cl. .... 01-01**
- (52) **U.S. Cl. .... D1/101**
- (58) **Field of Search .... D1/100, 101, 125-129, D1/199; 426/94, 96, 458, 104, 449, 450, 549, 559, 560, 383, 618-621, 808**

(56) **References Cited**

**U.S. PATENT DOCUMENTS**

D193,170 S	*	7/1962	Porambo	.....	D1/129
4,055,669 A		10/1977	Kelly et al.	.....	426/93
D334,274 S	*	3/1993	Creighton et al.	.....	D1/128
D347,515 S	*	6/1994	Creighton et al.	.....	D1/128
5,612,074 A		3/1997	Leach	.....	426/74
D409,355 S		5/1999	Citarella et al.	.....	D1/107

**OTHER PUBLICATIONS**

- “Calif raises the bar”, Food Processing, Advertisement, 1 page, (May 1999).
- “Crunchy Nut (Australia) (Corn Flake Cereal Bars)”, Kellogg’s, 2 pages, (Feb. 1998).
- “Nutri Grain Twists”, Kellogg’s, 2 pages, (Oct. 1998).
- “Packaging Label for Balance”, Bio-Foods, 2 pages, (1994).
- “Packaging Label for Balance Outdoor”, Balance Bar, 1 page, (Jul. 1999).
- “Packaging Label for Boost”, Mead Johnson, 1 pages, (Feb. 1998).

- “Packaging Label for Breakfast Bars”, Hain Pure Foods, 2 pages, (Jun. 1997).
- “Packaging Label for Breakfast Squares”, General Mills, 2 pages, (Apr. 1970).
- “Packaging Label for Breakthru Nutrition Bar”, Glenn Foods, 1 page, (Mar. 1998).
- “Packaging Label for Cap’n Crunch Treats”, Quaker, 2 pages, (Mar. 1997).
- “Packaging Label for Carnation Instant Breakfast Bars”, Nestle, 2 pages, (prior to 1997).
- “Packaging Label for Chewy Granola Bars”, Quaker, 2 pages, (Jan. 1990).
- “Packaging Label for Clif Bar”, Kali’s SportsNaturals, 1 page, (Sep. 1991).
- “Packaging Label for Clif Kicks Bar”, Kali’s SportsNaturals, 2 pages, (Jul. 1997).
- “Packaging Label for Coco Pops Cereal & Milk Bars”, Kellogg’s, 1 page, (1999).
- “Packaging Label for Corny Snack Bars”, Schwartau, 2 pages, (Nov. 1999).
- “Packaging Label for Diet Fuel”, Twin Lab, 1 page, (Jul. 1998).
- “Packaging Label for Edge Bar”, Nutritional N-Er-G Products, 2 pages, (Jul. 1991).
- “Packaging label for Frosties Cereal & Milk Bars”, Kellogg’s, 2 pages, (1999).

(List continued on next page.)

*Primary Examiner*—Alan P. Douglas  
*Assistant Examiner*—Linda Brooks  
 (74) *Attorney, Agent, or Firm*—John A. O’Toole; Douglas J. Taylor; Barbara J. Clark

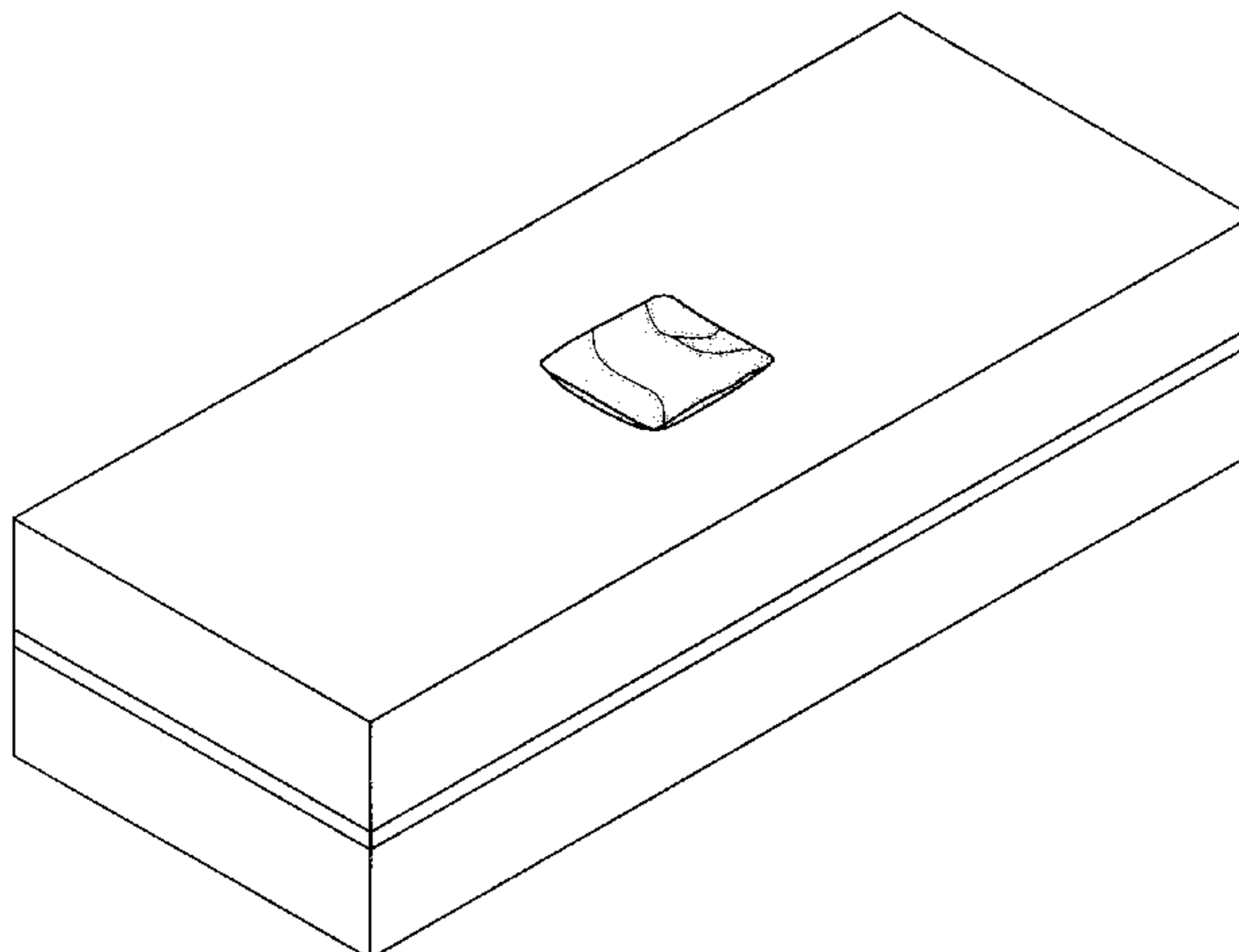
(57) **CLAIM**

The ornamental design for a cereal bar having a cereal piece included thereon, as shown and described.

**DESCRIPTION**

The FIGURE is a perspective view of a cereal bar having a cereal piece included thereon.

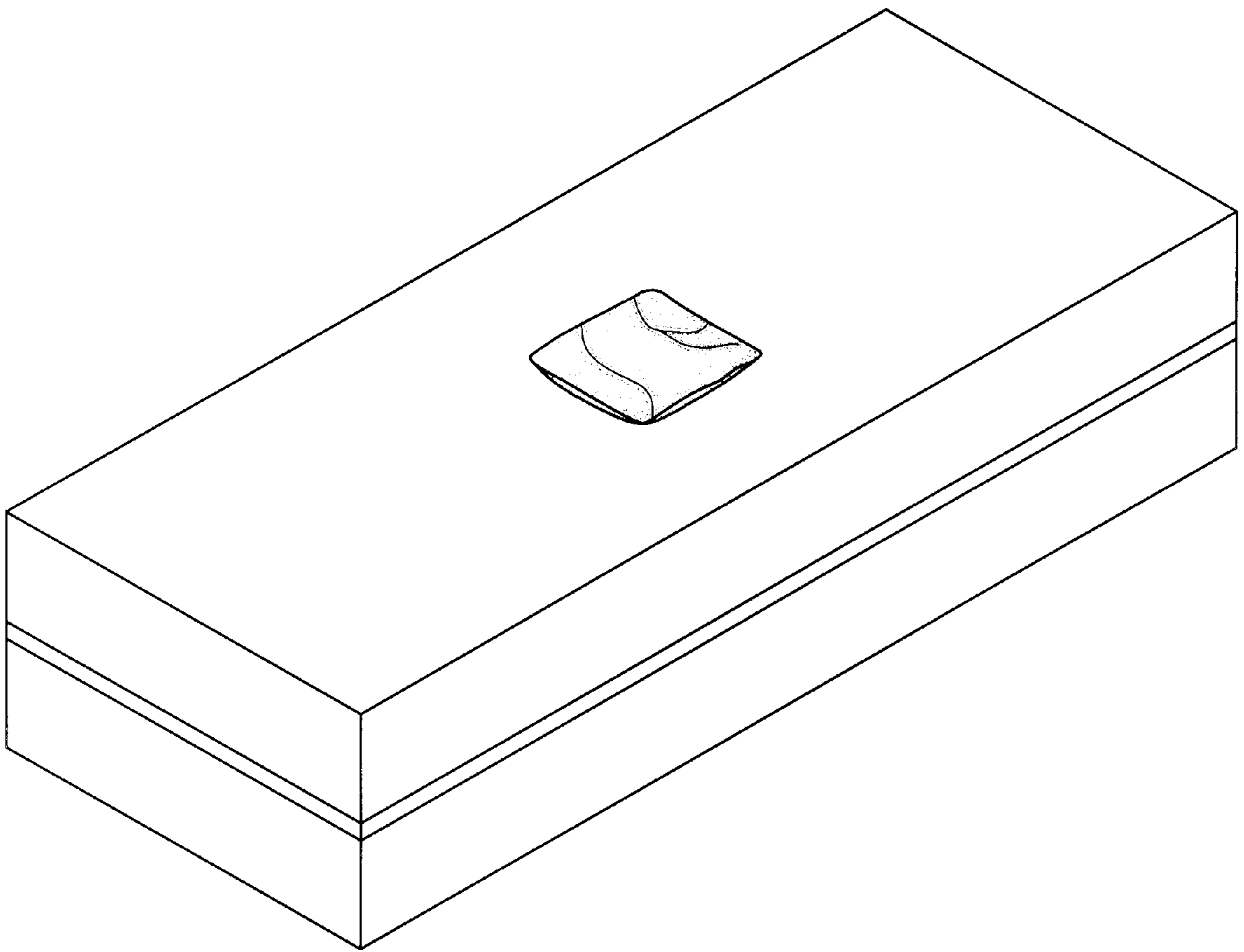
**1 Claim, 1 Drawing Sheet**



OTHER PUBLICATIONS

- “Packaging Label for Fruit and Oatmeal”, Quaker, 2 pages, (May 1997).
- “Packaging Label for Glenny’s Chocolate Crunch”, Glenn Foods, 1 page, (Jan. 1996).
- “Packaging Label for Golden Grahams Treats”, General Mills, 3 pages, (Oct. 1996).
- “Packaging Label for Golf Pro Nutrition Bar”, 1 page, (Nov. 1993).
- “Packaging Label for Healthy Cheesecake Bars”, Health Valley, 1 page, (Jan. 1995).
- “Packaging Label for Hoffman’s Energy Bar”, York Barbell, 1 page, (Nov. 1997).
- “Packaging Label for Just Right Cereal Bars (Australia)”, Kellogg’s, 2 pages, (Feb. 1998).
- “Packaging Label for Kudos”, Mars, 2 pages, (Oct. 1989).
- “Packaging Label for Kushi Cuisine Crispy Rice Bars”, Kushi Macrobiotics, 1 page, (Jan. 1996).
- “Packaging Label for Luna Chocolate Pecan Pie”, Clifbar, 1 page, (Mar. 1999).
- “Packaging Label for Meal Pack”, Bear Valley Foods, 2 pages, (Sep. 1980).
- “Packaging Label for MET–Rx Food Bar”, MET–Rx Substrate Technology, 1 page, (Sep. 1992).
- “Packaging Label for Nature’s Choice Natural Delight Yogurt Dipped Desserts”, Barbara’s Bakery, 2 pages, (Jul. 1999).
- “Packaging Label for Nesquik Biscuit Sticks”, Nestle, 2 pages, (Sep. 1999).
- “Packaging Label for Nutri Grain”, Kellogg’s, 2 pages, (Mar. 1991).
- “Packaging label for Nutri–Grain Twists”, Kellogg’s, Forest Fruits and Yogurt, 1 page, (1998).
- “Packaging Label for Oatmeal Creme Bar Chewy Whole Grain Snack Bar”, Starbucks, 1 page, (Dec. 1998).
- “Packaging Label for Power Bar”, Powerfood, 1 page, (Jun. 1991).
- “Packaging Label for Pro Tour”, Barbara’s Bakery, 1 page, (Jan. 1996).
- “Packaging Label for Prozone”, NutriBiotic, 1 page, (Aug. 1996).
- “Packaging Label for Rice Cake Sandwich Choco and Cheese”, Granco, 4 pages, (Jul. 1999).
- “Packaging Label for Rice Krispies Treats Chocolate Chip”, Kellogg’s, 2 pages, (May 1997).
- “Packaging Label for Rice Krispies Treats Peanut Butter Chocolate”, Kellogg’s, 3 pages, (Apr. 1999).
- “Packaging Label for Shaqbar”, Amway, 2 pages, (Oct. 1995).
- “Packaging Label for Snackwell’s Hearty Fruit’n Grain Cereal Bars”, Nabisco, 1 page, (Prior to 1999).
- “Packaging Label for Source Bar”, Empowered Athletics, 1 page, (Aug. 1996).
- “Packaging Label for Stoker Energy Bar”, BTU Stoker, 1 page, (May. 1994).
- “Packaging Label for Sustain Cereal Bars(Australia)”, Kellogg’s, 2 pages, (Feb. 1998).
- “Packaging Label for Think Interactive Bar”, Personal Health Development, 4 pages, (Jan. 1996).
- “Packaging Label for Trek Bar”, Mountain Biscuit, 1 page, (Feb. 1997).
- “Packaging Label for Whole Grain Bars”, Earth’s Best, 2 pages, (May 1996).
- “Packing Label for New Yorker Breakfast Bar”, Renshaw Scott Ltd. (England), 2 pages, (Jul. 1999).
- “Packing Label for Oreo Granola Bars”, Nabisco, 2 pages, (Mar. 1994).
- “Packaging Label for Snackwell’s Cereal Bars”, Nabisco, 2 pages, (Jun. 1996).
- “Power Bark for Fido”, Food Processing, Advertisement, 1 page, (May. 1999).
- “Rice Krispies Treats Crispy Marshmallow Squares”, Kellogg’s, 4 pages, (Apr. 1999).
- “Packaging Label for Frosties Cereal & Milk Bars”, Kelloggs, 1 page, (1999).

\* cited by examiner



UNITED STATES PATENT AND TRADEMARK OFFICE  
**CERTIFICATE OF CORRECTION**

PATENT NO. : Des. 460,240 S  
DATED : July 16, 2002  
INVENTOR(S) : Dean F. Funk et al.

Page 1 of 1

It is certified that error appears in the above-identified patent and that said Letters Patent is hereby corrected as shown below:

Title page,

Item [56], OTHER PUBLICATIONS, 1st reference, delete "Calif" and insert -- Clif -- therefor.

2nd references, insert -- Packaging Label for -- before "Crunchy".

3rd reference, insert -- Packaging Label for -- before "Nutri".

6th reference, delete "1 pages" and insert -- 1 page -- therefor.

13th and 14th references, delete "SportsNaturals" and insert -- Sports Naturals -- therefor.

26th reference, delete "Kellogg's's" and insert -- Kellogg's -- therefor.

51st and 52nd references, delete "Packing" and insert -- Packaging -- therefor.

54th reference, insert -- Packaging Label for -- before "Power".

55th reference, insert -- Packaging Label for -- before "Rice".

Signed and Sealed this

Nineteenth Day of August, 2003



JAMES E. ROGAN

*Director of the United States Patent and Trademark Office*